



First Choice Group

SPARE PARTS DIAGRAM FOR



Thermodyne
FOODSERVICE PRODUCTS, INC.

Holding Cabinet

300NDNL

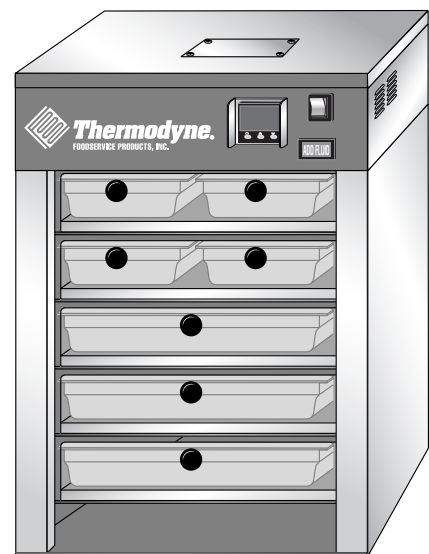
700NDNL



First Choice Group
Blakeney Way, Kingswood Lakeside
Cannock, Staffs, WS11 8LD
TEL: 01543 577778 FAX: 01543504141
Email: enquires@firstchoice-cs.co.uk
Web: www.firstchoice-cs.co.uk



ILLUSTRATED PARTS LIST



MODELS

| | |
|---------|----------|
| 200NDNL | 700NDNL |
| 200CT | 725NDNL |
| 250PNDT | 950NDNL |
| 300NDNL | 957NDNL |
| 300CT | 1600NDNL |
| 300OC | BW3SNDNL |

For additional information on Thermodyne Foodservice Products, Inc.,
or to locate an authorized parts and service provider in your area,
visit our website at www.tdyne.com

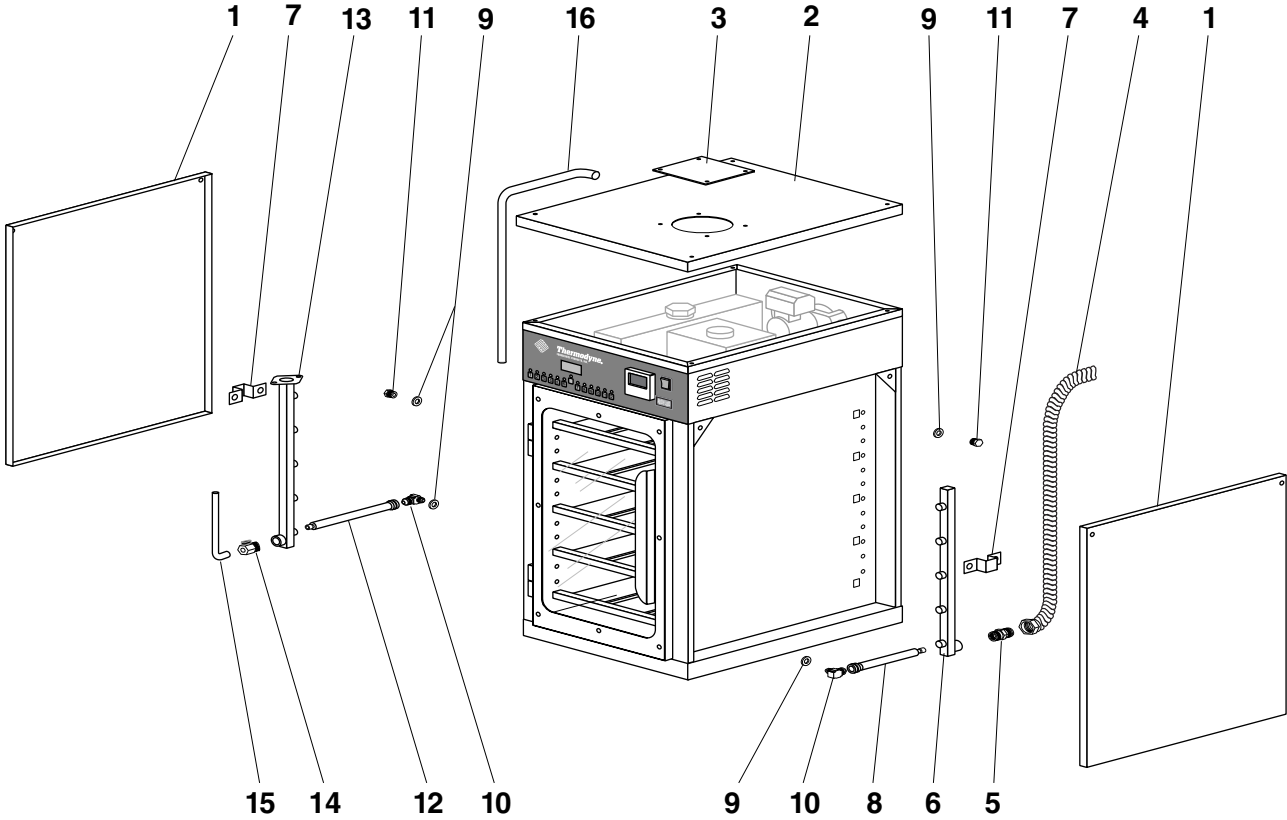
Thermodyne Foodservice Products, Inc.
4418 New Haven Avenue
Fort Wayne, IN 46803

1-800-526-9182
www.tdyne.com

MAIN CABINET COMPONENTS

| ITEM | PART NO. | DESCRIPTION | QTY |
|-----------|----------|--|-----|
| 1 | 20230 | Outside Wall – 20ga SS – Insulated – 200/300NDNL/CT, 950NDNL & 957NDNL | 2 |
| | 40430 | Outside Wall – 20ga SS – Insulated – 250PNDT | |
| | 150090 | Outside Wall – 20ga SS – Insulated – 300OC | |
| | 20430 | Outside Wall – 20ga SS – Insulated – 700NDNL | |
| | 20330 | Outside Wall – 20ga SS – Insulated – 1600NDNL | |
| | 20515 | Outside Wall – 20ga SS – Insulated – 725NDNL | |
| | 23160 | Outside Wall – 20ga SS – Insulated – BW32SNDNL | |
| 2 | 10110 | Power Head Lid – 20ga SS - 200/300NDNL/CT & 1600NDNL | 1 |
| | 40110 | Power Head Lid – 20ga SS – 250PNDT | |
| | 30010 | Power Head Lid – 20ga SS – 300OC | |
| | 20510 | Power Head Lid – 20ga SS – 700NDNL & 725NDNL | |
| | 50110 | Power Head Lid – 20ga SS – 950NDNL & 957NDNL | |
| | 23110 | Power Head Lid – 20ga SS – BW3SNDNL | |
| 3 | 13410 | Fill Cap Cover – 20GA SS | 1 |
| 4 | 91126 | Delivery Line - 24 SS Dormont Hose – 200NDN/CT | 1 |
| | 91360 | Delivery Line - 36 SS Dormont Hose – 250PNDT, 700NDNL, 725NDNL | |
| | 91355 | Delivery Line - 30 SS Dormont Hose – 300NDNL/CT/OC, 950NDNL & BW3SNDNL | |
| | 91415 | Delivery Line - 60" SS Dormont Hose – 1600NDNL | |
| | 91375 | Delivery Line - 48 SS Dormont Hose – 957NDNL | |
| 5 | 90658 | .75 NPT - .5 Propane Nipple | 1 |
| 6 | 20150 | Delivery Manifold – 200NDNL/CT & 950NDNL | 1 |
| | 40150 | Delivery Manifold – 250PNDT | |
| | 20450 | Delivery Manifold – 300NDNL/CT, 700NDNL, 957NDNL & 725NDNL | |
| | 30030 | Delivery Manifold – 300OC | |
| | 31600 | Delivery Manifold – 1600NDNL | |
| | 98110 | Delivery Manifold – BW3SNDNL | |
| 7 | 10190 | Manifold Bracket | 2 |
| 8 | 91321 | Short Teflon Hose | A/R |
| 9 | 91185 | Teflon Washers | A/R |
| 10 | 91335 | Shelf Elbows | A/R |
| 11 | 90445 | Shelf Plugs | A/R |
| 12 | 91322 | Long Teflon Hose | A/R |
| 13 | 20151 | Return Manifold – 200NDNL/CT & 950NDNL | 1 |
| | 40151 | Return Manifold – 250PNDT | |
| | 20451 | Return Manifold – 300NDNL/CT, 700NDNL, 957NDNL & 725NDNL | |
| | 30036 | Return Manifold – 300OC | |
| | 31605 | Return Manifold – 1600NDNL | |
| | 98195 | Return Manifold – BW3SNDNL | |
| 14 | 91290 | .375 ON/OFF Valve – Drain Tube | 1 |
| 15 | 90325 | Drain Tube | 1 |
| 16 | 90324 | Overflow Tube from Reservoir Tank | 1 |
| Not Shown | 90775 | Return Line Gasket | 1 |

MAIN CABINET EXPLODED VIEW

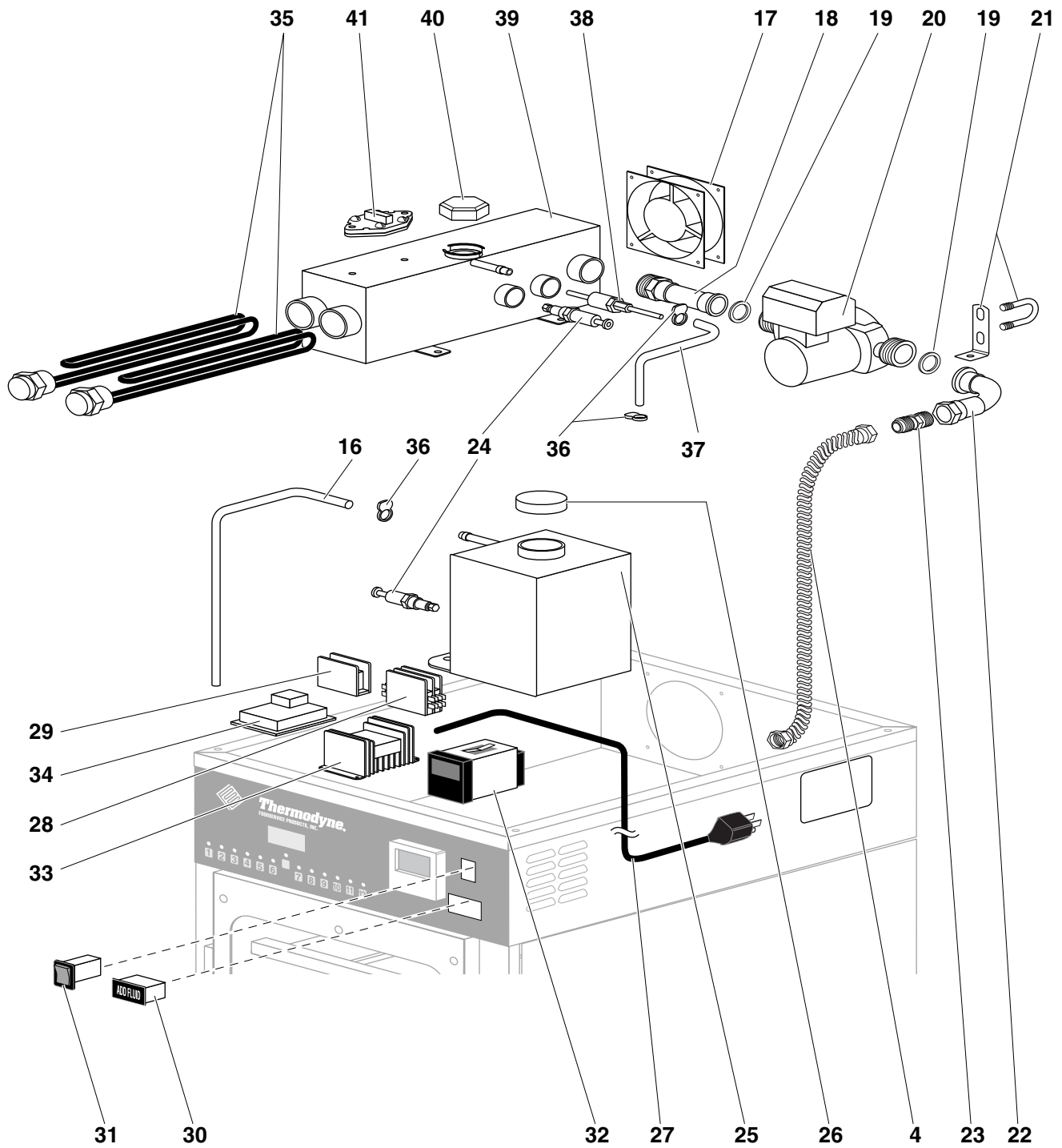


Exploded View 300CT

POWER HEAD COMPONENTS

| ITEM | PART NO. | DESCRIPTION | QTY |
|-----------|----------------------------------|---|-----|
| 17 | 90656 | 120VAC Cooling Fan | 1 |
| 18 | 90629 90632 | Heater Tank to Pump Copper Extension Union Heater Tank to Pump Copper Extension Union – HZ Style with Elbow | 1 |
| 19 | 90659 | Pump Gasket | 2 |
| 20 | 90660 | 120VAC B&G Pump | 1 |
| 21 | 90675 | Pump Bracket & U-Bolt` | 1 |
| 22 | 90631 90630 | Pump to Delivery Line Extension with elbow Pump to Delivery Line Extension without elbow | 1 |
| 23 | 90658 | 1/4 SAE Nipple | 1 |
| 24 | 91535 | Auburn Fluid Level Probes | 2 |
| 25 | 13400 | Reservoir Tank | 1 |
| 26 | 91140 | Reservoir Tank Cap – SS | 1 |
| 27 | 90220 90915 | 120VAC 14/3 Power Cord with Molded Plug - 200/300NDNL/CT/OC & BW3SNDNL 120/208-240 10/4 Cord w/ Molded Plug – 250PNDT, 700NDNL/CT 950, 160, 957 & 725NDNL | 1 |
| 28 | 90965 | 120 – 240 VAC Contactor | 1 |
| 29 | 90545 | Neutral Lug | 1 |
| 30 | 91505 | 120VAC Add Fluid Light | 1 |
| 31 | 90136 | Illuminated Rocker Switch | 1 |
| 32 | 90585 | Temperature Controller | 1 |
| 33 | 90860 | Solid State Relay | 1 |
| 34 | 90681 | 120VAC Float Board | 1 |
| 35 | 90830 90831 | 240VAC, 3500W Heaters 240VAC, 3500W Heaters – 12 PND for 250PNDT | 2 |
| 36 | 90148 | Black Kwik Clamps for Silicon Hose | 3 |
| 37 | 90325 | Heater Tank to Reservoir Tank Overflow Tube | 1 |
| 38 | 91191 | Thermocouple | 1 |
| 39 | 12500 42500 12503 28120 | Heater Tank (90430 Assembled) Heater Tank – 250PNDT (90431 Assembled) Heater Tank – 300OC (90432 Assembled) Heater Tank – BW3SNDNL (90433 Assembled) | 1 |
| 40 | 90705 | 16 PSI Pressure Cap | 1 |
| 41 | 90595 | Snap Disc | 1 |
| Not Shown | 91525 | Add Fluid Light Cover | 1 |
| Not Shown | 90316 | Thermocouple Compression Fitting | 1 |
| Not Shown | 90395 | Heat Transfer Fluid | A/R |

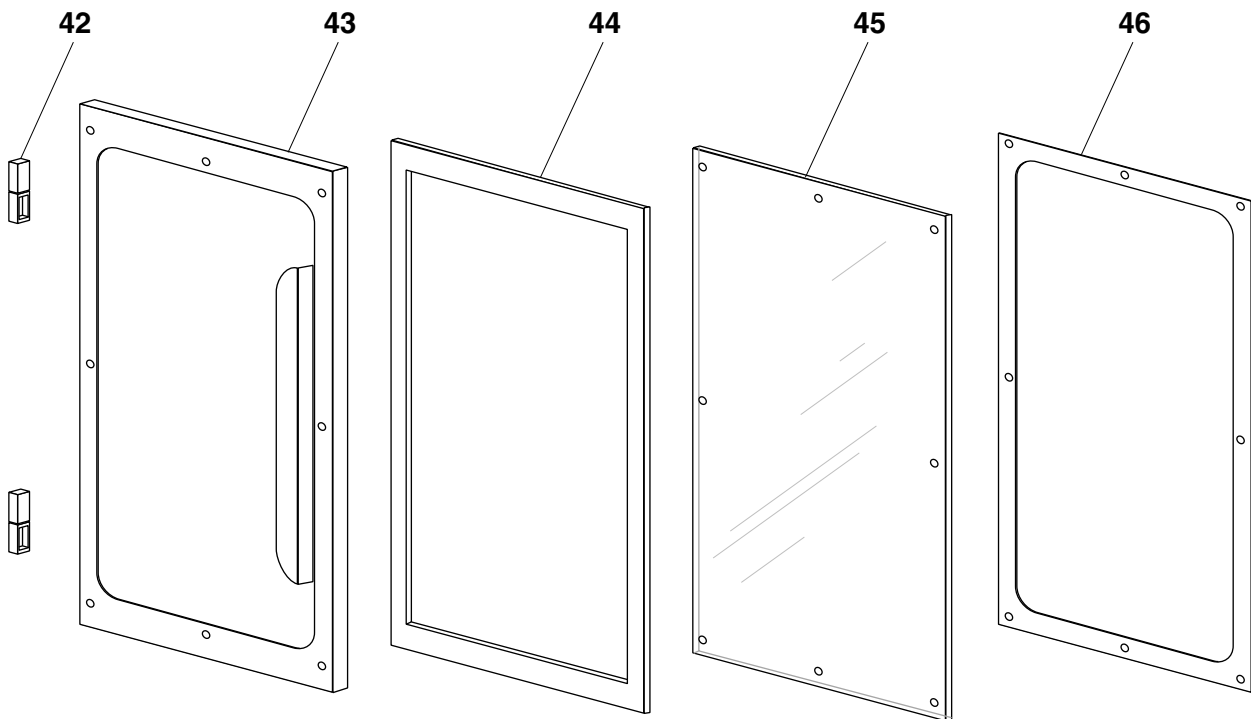
POWER HEAD EXPLODED VIEW



300NDNL Power Head Exploded View

DOOR COMPONENTS

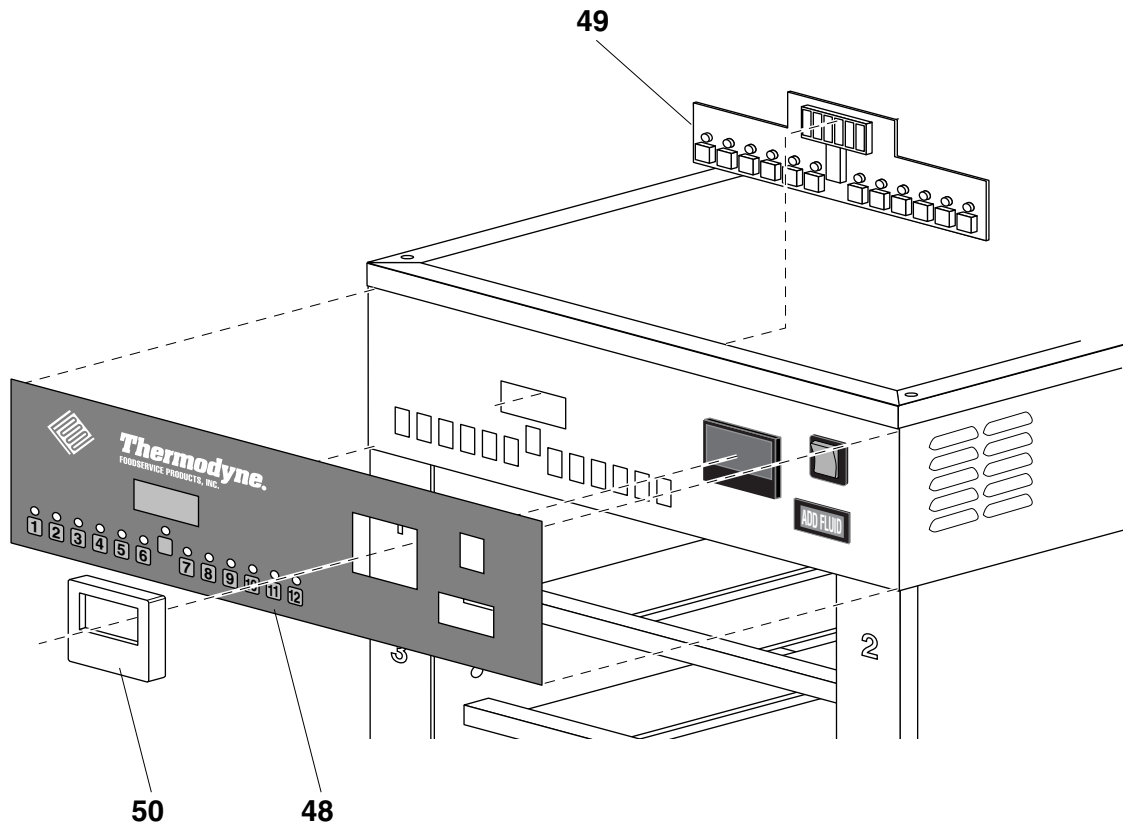
| ITEM | PART NO. | DESCRIPTION | QTY |
|------|-------------------------------|---|-----|
| 42 | 90485 | Lift Off Hinge – CT Style Male & Female as Set | 2 |
| 43 | 19240-1 10170-1 1-175-1 | 200CT Outside Door Skin 300CT Outside Door Skin 700CT Outside Door Skin | 1 |
| 44 | 19240-4 90259 90258 | 200CT Door Gasket 300CT Door Gasket 700CT Door Gasket | 1 |
| 45 | 19240-3 90392 90393 | 200CT Door Glass 300CT Door Glass 700CT Door Glass | 1 |
| 46 | 19240-2 10170-2 10175-2 | 200CT Inside Door Skin 300CT Inside Door Skin 700CT Inside Door Skin | 1 |



300CT Door Components

300NDNL – 12-BUTTON CONTROL COMPONENTS

| ITEM | PART NO. | DESCRIPTION | QTY |
|------|----------|----------------------------------|-----|
| 48 | 90607 | 12 Button Overlay | 1 |
| | 90606 | Standard NDNL Overlay | 1 |
| 49 | 91198 | 12 Button Timer (Set) | 1 |
| 50 | 90584 | Controller Cover – Optional | 1 |
| | 90193 | Mask, Controller cover with Hole | 1 |



300NDNL 12-Button Control Components

