



First Choice Group

SPARE PARTS DIAGRAM FOR



Vario Cooking Centre

E11PG0810



First Choice Group
Blakeney Way, Kingswood Lakeside
Cannock, Staffs, WS11 8LD
TEL: 01543 577778 FAX: 01543504141
Email: enquires@firstchoice-cs.co.uk
Web: www.firstchoice-cs.co.uk

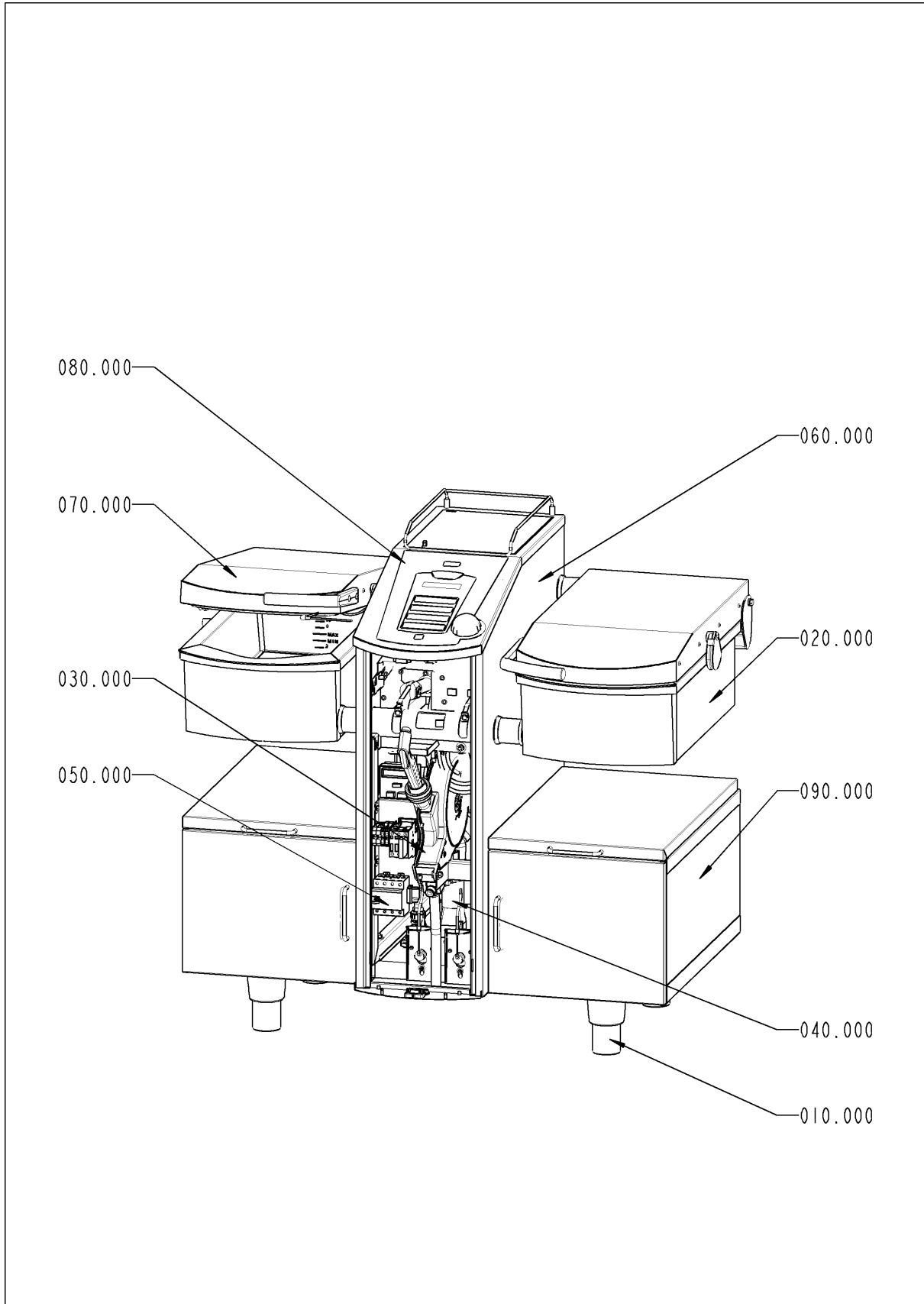
Service part catalogue

VarioCooking Center® VarioCooking Center® 112+

E11PG0810



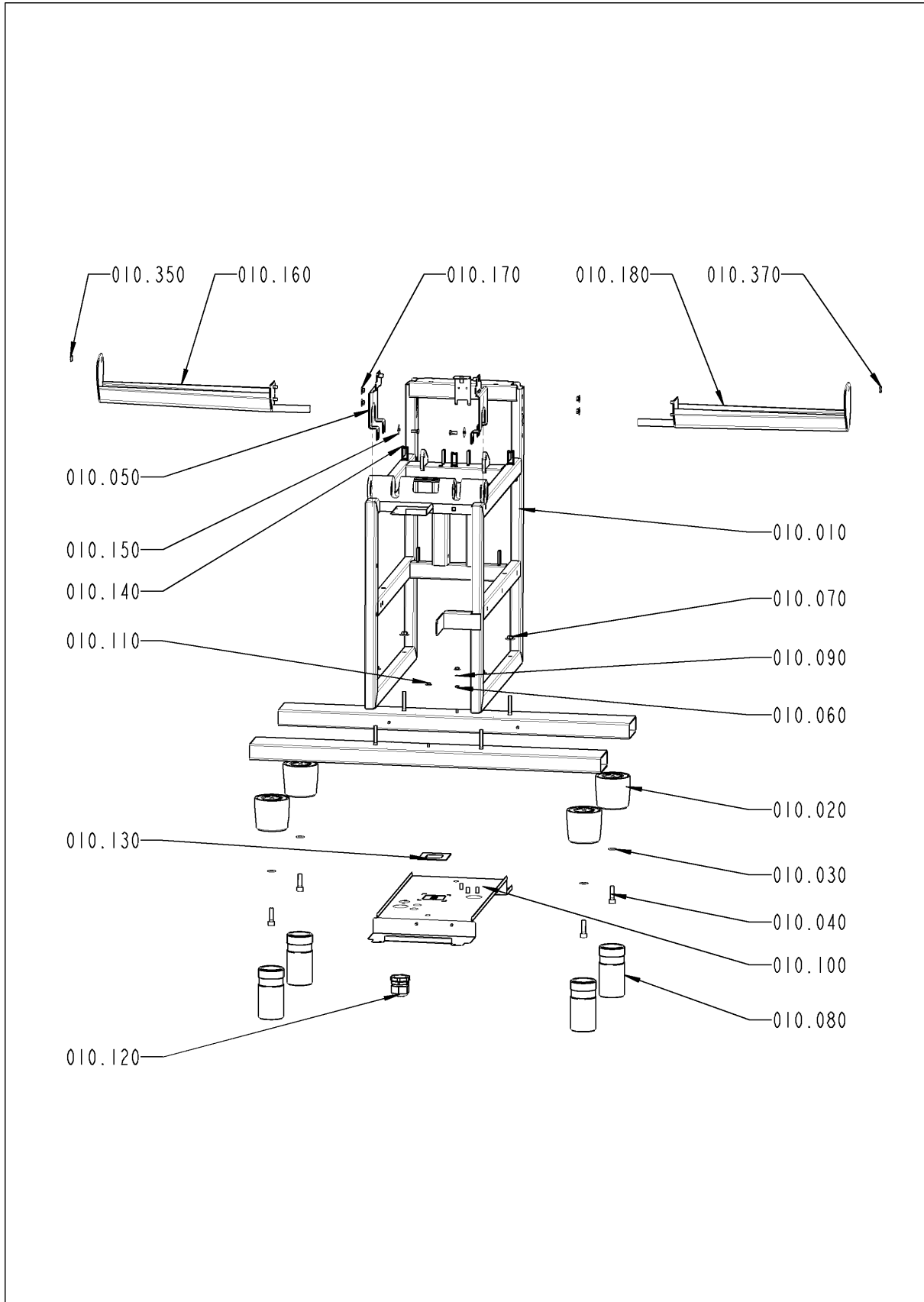
VarioCooking Center®



VarioCooking Center®

Pos.	Part No.	Description	Qty.
010.000		Base structure	1
020.000		Pan	1
030.000		Water distribution, Hand shower roll guide	1
040.000		Quenching	1
050.000		Contact assembly	1
060.000		Exterior cabinet	1
070.000		Lid	1
080.000		Control panel	1
100.000		Accessories	1

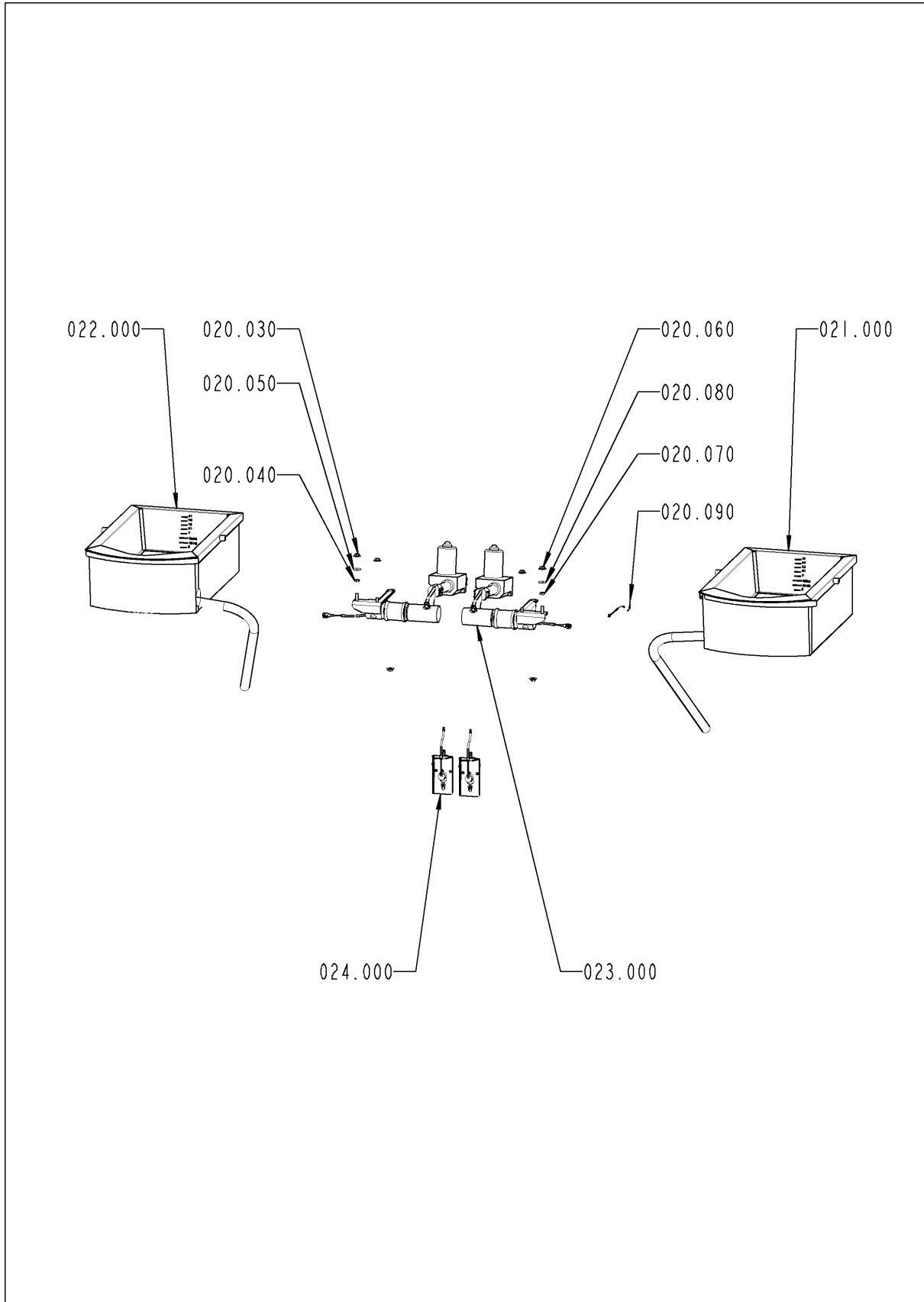
Base structure



Base structure

Pos.	Part No.	Description	Qty.
010.010	12.00.624	Chassis	1
010.020	12.00.205	Upper part of pedestal	4
010.030	1310.0160	Washer A10,5	4
010.040	10.00.107	Allen screw M10x30	4
010.050	12.00.688	Fixing angle cpl. 112	2
010.060	1105.0120	Hex nut M5	1
010.070	10.00.607	Hex combination nut M8	4
010.080	12.00.224	Lower part of pedestal 110mm	4
010.090	10.00.188	Serrated lock washer A5.1	1
010.100	16.01.369	Base plate	1
010.110	1105.0121	Hex combination nut M5 galv	2
010.120	40.02.594	Screwed cable gland PG 29	1
010.130	50.00.639	Square seal	1
010.140	10.00.111	Cable clip long	8
010.150	10.00.186	Washer broad LL6	2
010.160	12.00.635	Drip collector	1
010.170	1106.0803	Hex combination nut M6 galv	2
010.180	12.00.648	Drip collector	1
010.350	24.01.221	Bearing shaft pan inside left	1
010.370	24.01.221	Bearing shaft pan inside left	1

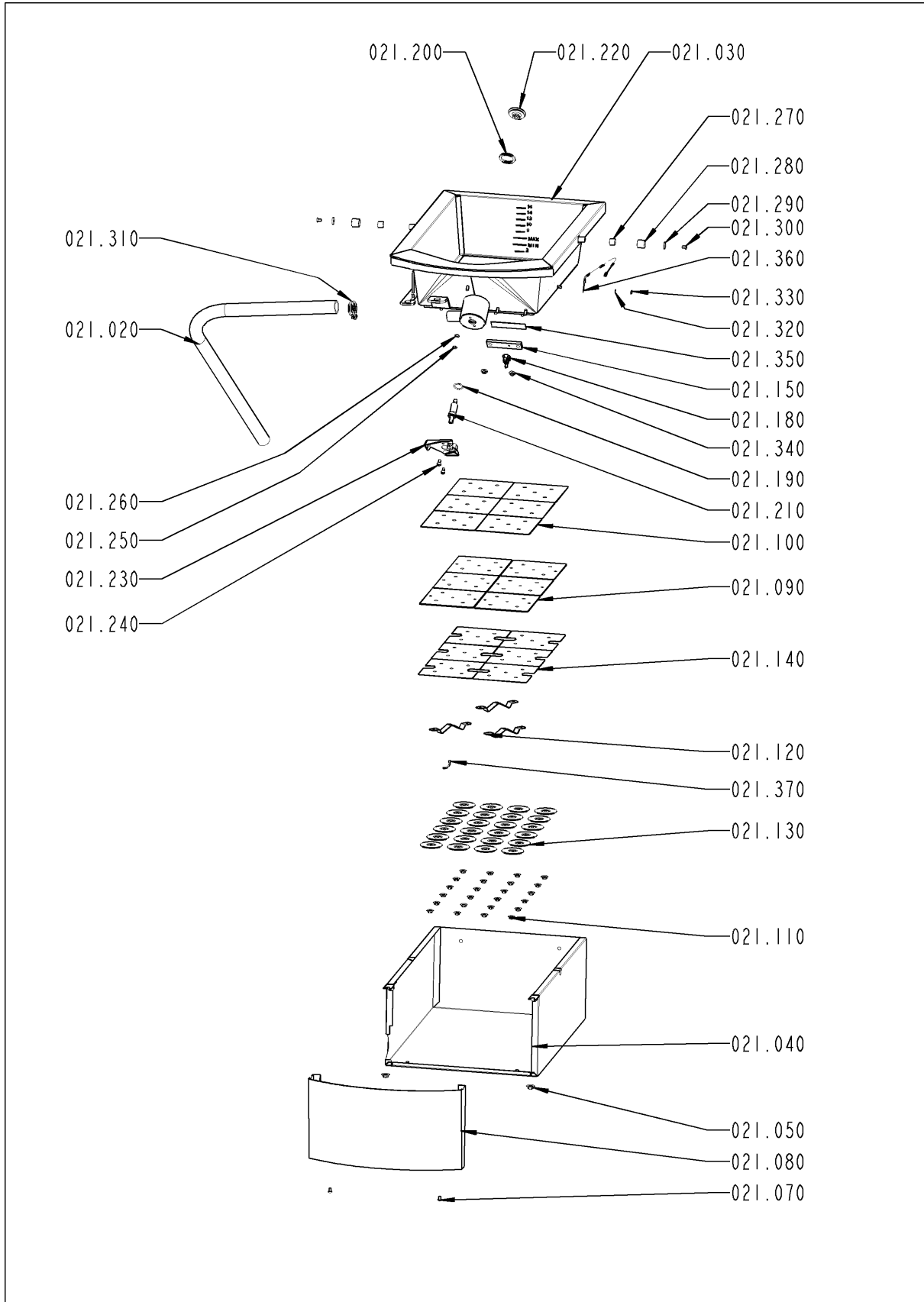
Pan



Pan

Pos.	Part No.	Description	Qty.
020.030	10.00.607	Hex combination nut M8	3
020.040	1108.0260	Hex nut M8	1
020.050	1308.0161	Washer A8,4	1
020.060	10.00.607	Hex combination nut M8	3
020.070	1108.0260	Hex nut M8	1
020.080	1308.0161	Washer A8,4	1
020.100	46.00.119	Wiring harness, heating elements, pan right	1
020.110	46.00.118	Wiring harness, heating elements, pan left	1
021.000		Pan right	1
022.000		Pan left	1
023.000		Shaft toppling	1
024.000		Pan valve	1

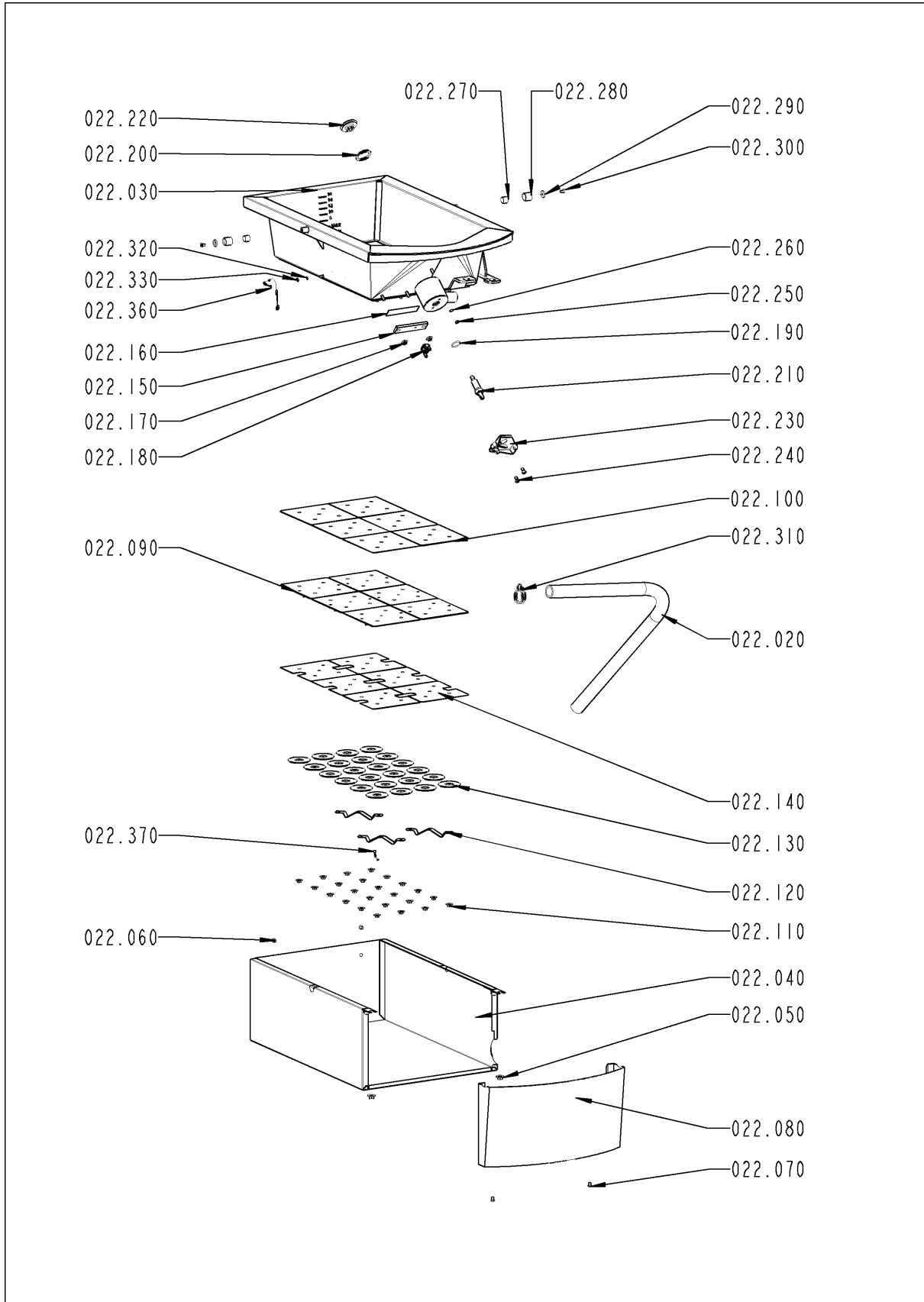
Pan right



Pan right

Pos.	Part No.	Description	Qty.
021.010	10.00.805	Washer M6 x 1.2 A2	2
021.020	50.00.628	Drain hose pan right 112	1
021.030	20.01.054	Pan right	1
021.040	16.00.859	Side panel right for pan	1
021.050	1106.0803	Hex combination nut M6 galv	2
021.060	10.00.606	Allen screw M5x8 A2	2
021.070	10.00.606	Allen screw M5x8 A2	2
021.080	16.00.855	Pan right front panel assembly	1
021.090	40.02.398	Heating element 1400W (screwed contact)	6
021.100	20.00.710	Graphit plate for heating element 1400W	6
021.110	1105.0121	Hex combination nut M5 galv	24
021.120	46.00.123	Mounting device thermocouple for heating element	3
021.130	10.00.802	Washer Ø50mm for heating element	24
021.140	20.01.089	Insulating plate (Mica) for heating element	6
021.150	20.00.983	Mounting device for Bimetall switch	1
021.180	40.02.337	Safety temperature limiter 215°C	1
021.190	10.00.675	O-ring f. pan valve 17.3 x 2.4	1
021.200	20.00.992	Gasket for plug pan valve	1
021.210	20.00.905	Sheath for pan valve	1
021.220	20.00.970	Plug for pan valve	1
021.230	20.01.031	Actuation for pan valve	1
021.240	1005.0663	Allen screw M5x10	2
021.250	1105.0120	Hex nut M5	1
021.260	10.00.188	Serrated lock washer A5.1	1
021.270	20.00.715	Ring MB DU 12/12	2
021.280	20.00.716	Locking roller pan	2
021.290	20.00.975	Washer maintenance roller bolt	2
021.300	10.00.597	Slot counter head secur screw A2 M5X10	2
021.310	2066.0522	Hose clamp 31,3 mm	1
021.320	10.00.187	Lock washer AZ 4	1
021.330	1104.0120	Hex nut M4	1
021.350	20.00.987	Graphit plate for Bimetall switch	1
021.360	20.00.854	Thermocouple pan right	1
021.370	87.00.339	Thermocouple for heating element	1

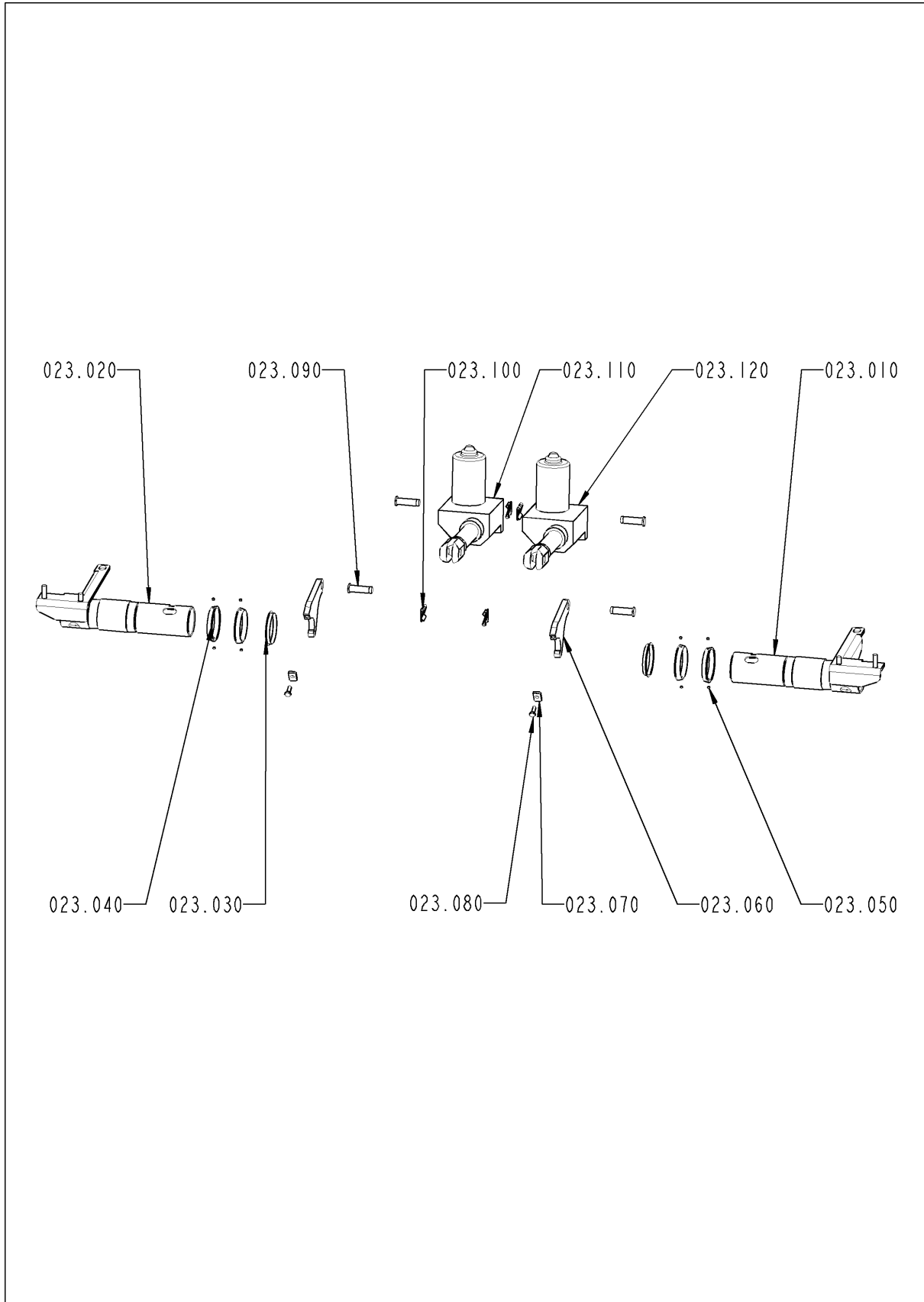
Pan left



Pan left

Pos.	Part No.	Description	Qty.
022.010	10.00.805	Washer M6 x 1.2 A2	2
022.020	50.01.611	Drain hose pan left 112	2
022.030	20.01.071	Pan left	1
022.040	16.00.848	Side panel left for pan	1
022.050	1106.0803	Hex combination nut M6 galv	2
022.060	10.00.606	Allen screw M5x8 A2	2
022.070	10.00.606	Allen screw M5x8 A2	2
022.080	16.00.856	Pan left front panel assembly	1
022.090	40.02.398	Heating element 1400W (screwed contact)	6
022.100	20.00.710	Graphit plate for heating element 1400W	6
022.110	1105.0121	Hex combination nut M5 galv	24
022.120	46.00.123	Mounting device thermocouple for heating element	3
022.130	10.00.802	Washer Ø50mm for heating element	24
022.140	20.01.089	Insulating plate (Mica) for heating element	6
022.150	20.00.983	Mounting device for Bimetall switch	1
022.160	20.00.987	Graphit plate for Bimetall switch	1
022.170	1105.0121	Hex combination nut M5 galv	2
022.180	40.02.337	Safety temperature limiter 215°C	1
022.190	10.00.675	O-ring f. pan valve 17.3 x 2.4	1
022.200	20.00.992	Gasket for plug pan valve	1
022.210	20.00.905	Sheath for pan valve	1
022.220	20.00.970	Plug for pan valve	1
022.230	20.01.031	Actuation for pan valve	1
022.240	1005.0663	Allen screw M5x10	2
022.250	1105.0120	Hex nut M5	1
022.260	10.00.188	Serrated lock washer A5.1	1
022.270	20.00.715	Ring MB DU 12/12	2
022.280	20.00.716	Locking roller pan	2
022.290	20.00.975	Washer maintenance roller bolt	2
022.300	10.00.597	Slot counter head secur screw A2 M5X10	2
022.310	2066.0522	Hose clamp 31,3 mm	1
022.320	10.00.187	Lock washer AZ 4	1
022.330	1104.0120	Hex nut M4	1
022.360	20.00.853	Thermocouple pan left	1
022.370	87.00.339	Thermocouple for heating element	1

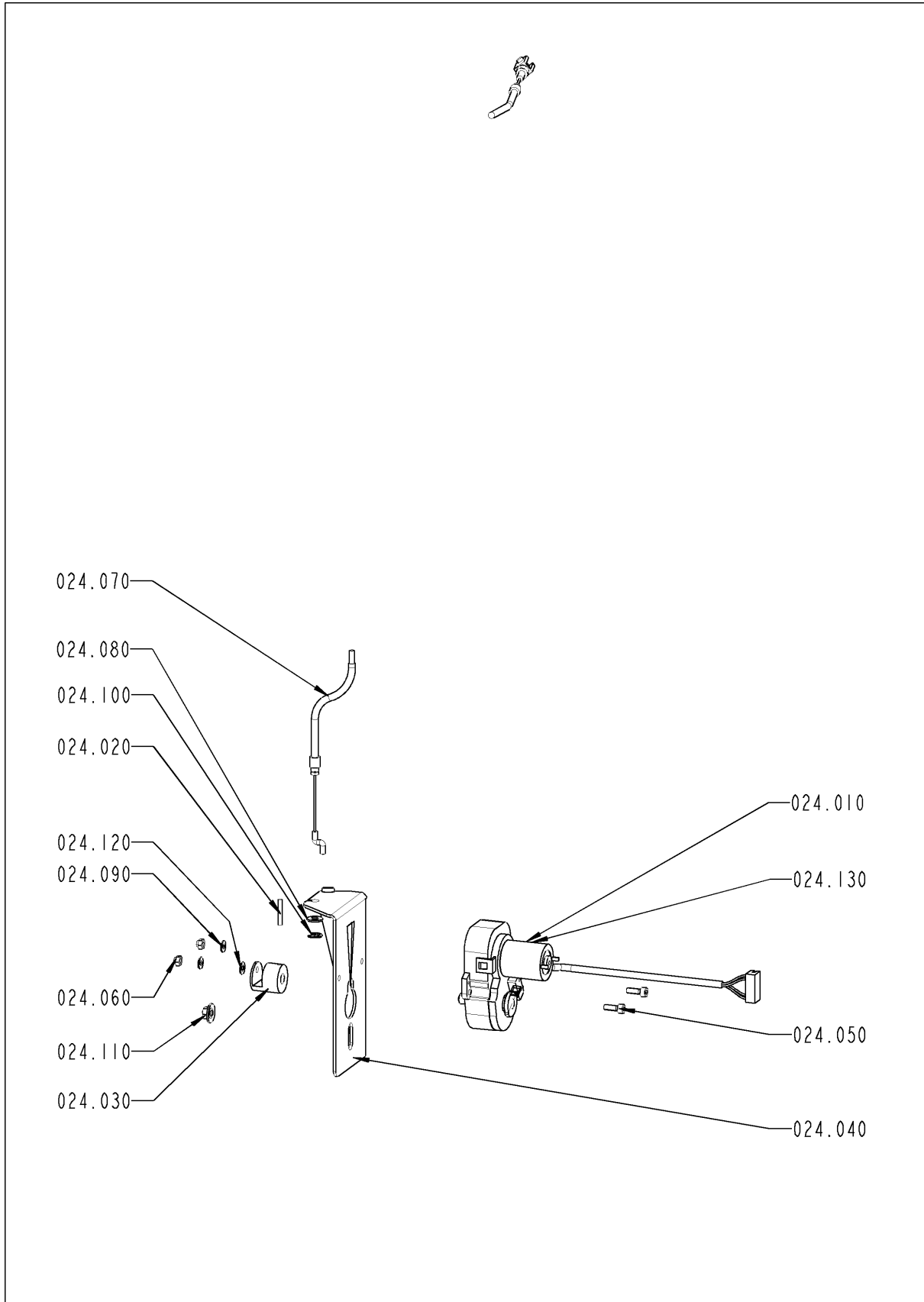
Shaft toppling



Shaft toppling

Pos.	Part No.	Description	Qty.
023.010	20.01.056	Pan shaft right	1
023.020	20.01.068	Left pan shaft	1
023.030	20.01.062	Ring friction pan shaft	2
023.040	20.01.033	Collar	2
023.050	10.00.452	Hex socket set screw cup point A2 M4X4	8
023.060	20.01.059	Lift arm for pan	2
023.070	20.01.061	Fixing plate lever pan	2
023.080	1006.0760	Hex screw M6x16	2
023.090	24.00.760	Shaft hoist swing shaft	2
023.100	10.00.747	Securing device for bolt d=12	2
023.110	40.01.708	Lifting cylinder for left pan	1
023.120	40.01.972	Lifting cylinder for right pan	1

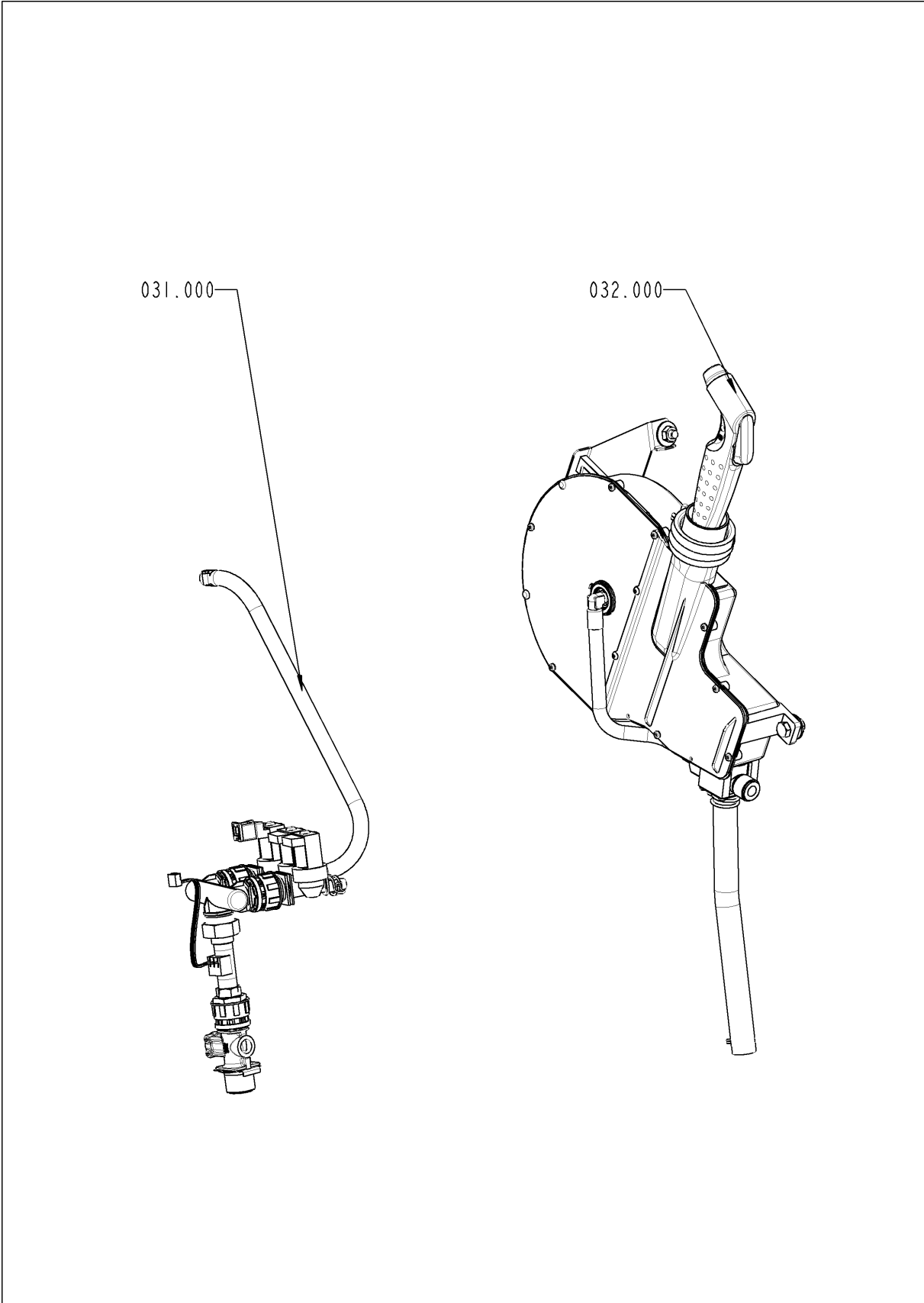
Pan valve



Pan valve

Pos.	Part No.	Description	Qty.
024.010	20.01.027	Actuation for pan valve cpl.	1
024.020	10.00.781	Straight pin ISO2338 A2 3m6x20	2
024.030	20.01.069	Switching cam f. pan drain valve	2
024.040	20.01.036	Rest for motor, pan valve	2
024.050	1004.0663	Allen screw M4x12	4
024.060	1104.0121	Hex nut M4 self locking	4
024.070	20.01.092	Bowden cable	2
024.080	10.00.805	Washer M6 x 1.2 A2	4
024.090	10.00.672	Disc IGUS 112-311	2
024.100	1251.1000	Safety washer ø5mm	4
024.110	1105.0121	Hex combination nut M5 galv	2
024.120	10.00.805	Washer M6 x 1.2 A2	4
024.130	20.01.206	Actuation for pan valve	1

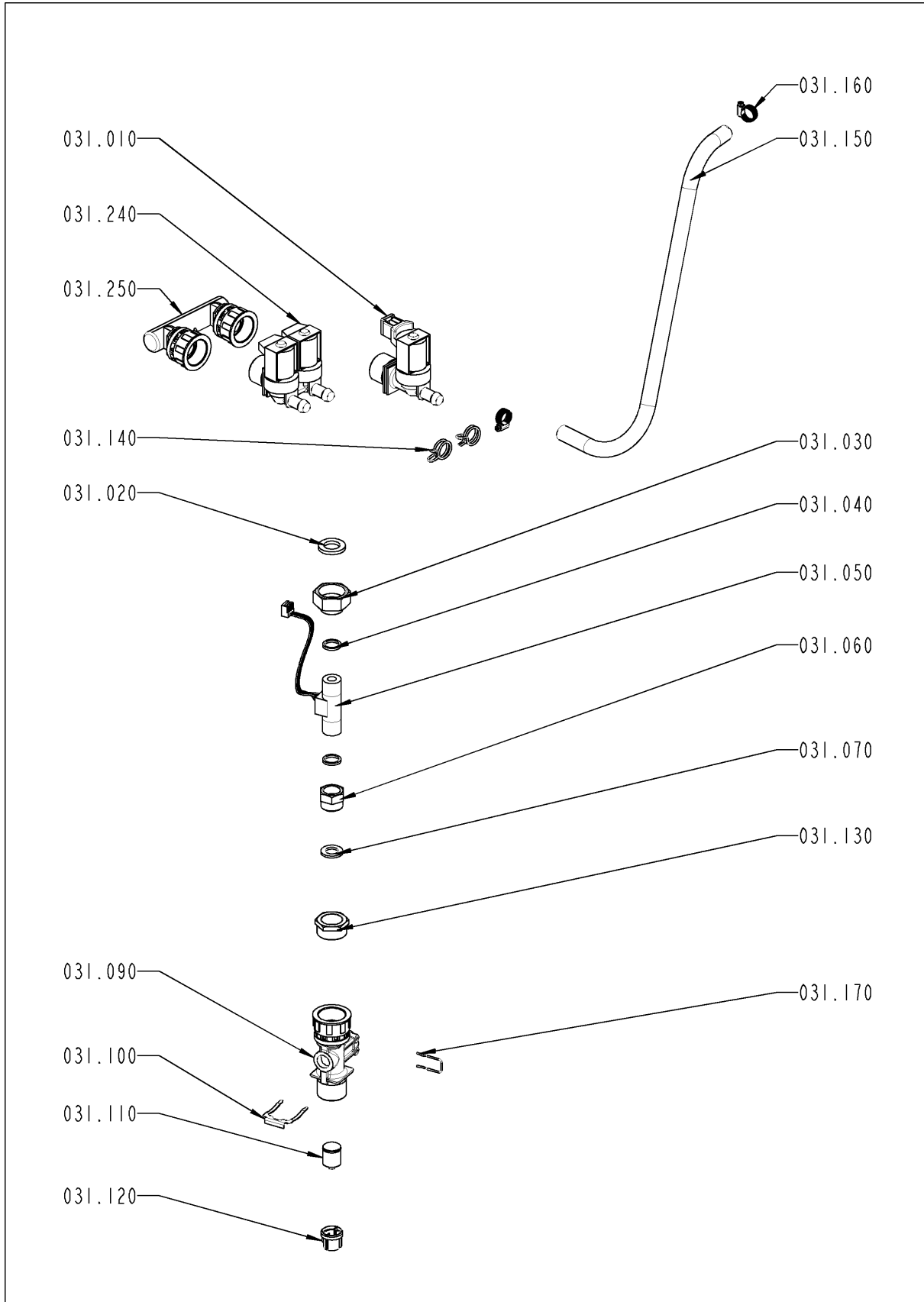
Water distribution, Hand shower roll guide



Water distribution, Hand shower roll guide

Pos.	Part No.	Description	Qty.
031.000		Water distribution	1
032.000		Hand shower roll guide	1

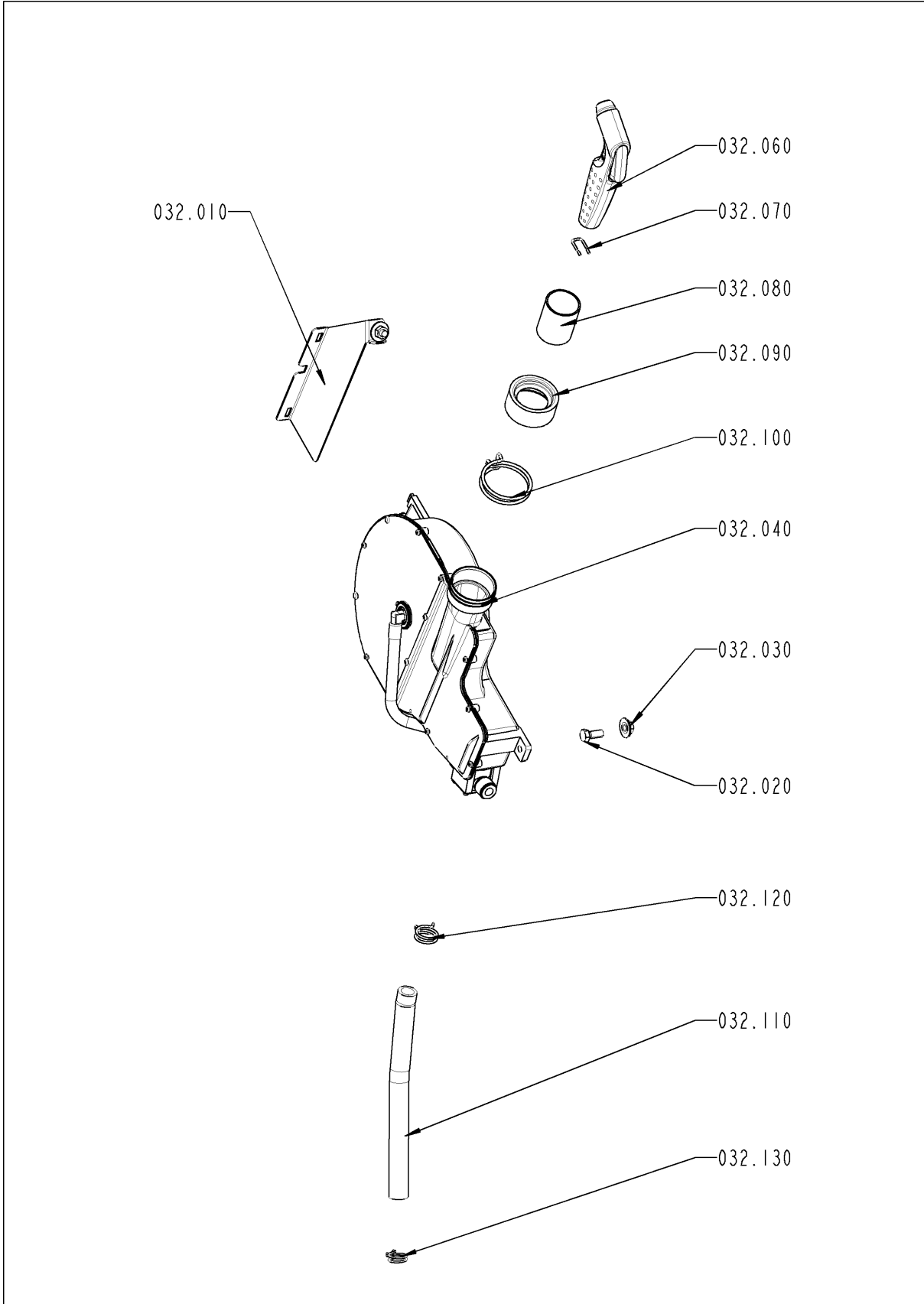
Water distribution



Water distribution

Pos.	Part No.	Description	Qty.
031.010	50.00.139	Single solenoid valve	1
031.020	5110.1024	Gasket for G3/4" threaded joint	1
031.030	50.00.654	Reducing nipple 3/4 - 3/8	1
031.040	50.00.659	Gasket Tesnit 3/8"	2
031.050	40.02.349	Water volume sensor with wire	1
031.060	50.00.653	Reducing nipple 1/2 - 3/8	1
031.070	50.00.599	Gasket TESNIT 20x12x2 1/2"	1
031.090	50.00.072	Water distribution vert roll guide con.	1
031.100	50.00.086	Locking plate f. water distribution	1
031.110	50.00.078	Non return valve DW16/DN12	1
031.120	1900.0202	Water filter	1
031.130	50.00.658	Reducing nipple 3/4 - 1/2	1
031.140	2066.0530	Hose clamp ø16.4mm	2
031.150	2067.0050	Pressure hose d10mm	.34
031.160	50.00.348	Hose clamp 12.22 L9	2
031.170	50.00.085	Plug-in spring f. hand shower roll guide	1
031.240	50.00.642	Double solenoid valve (connector color green/brown)	1
031.250	8664.1301	T-fitting water connection	1

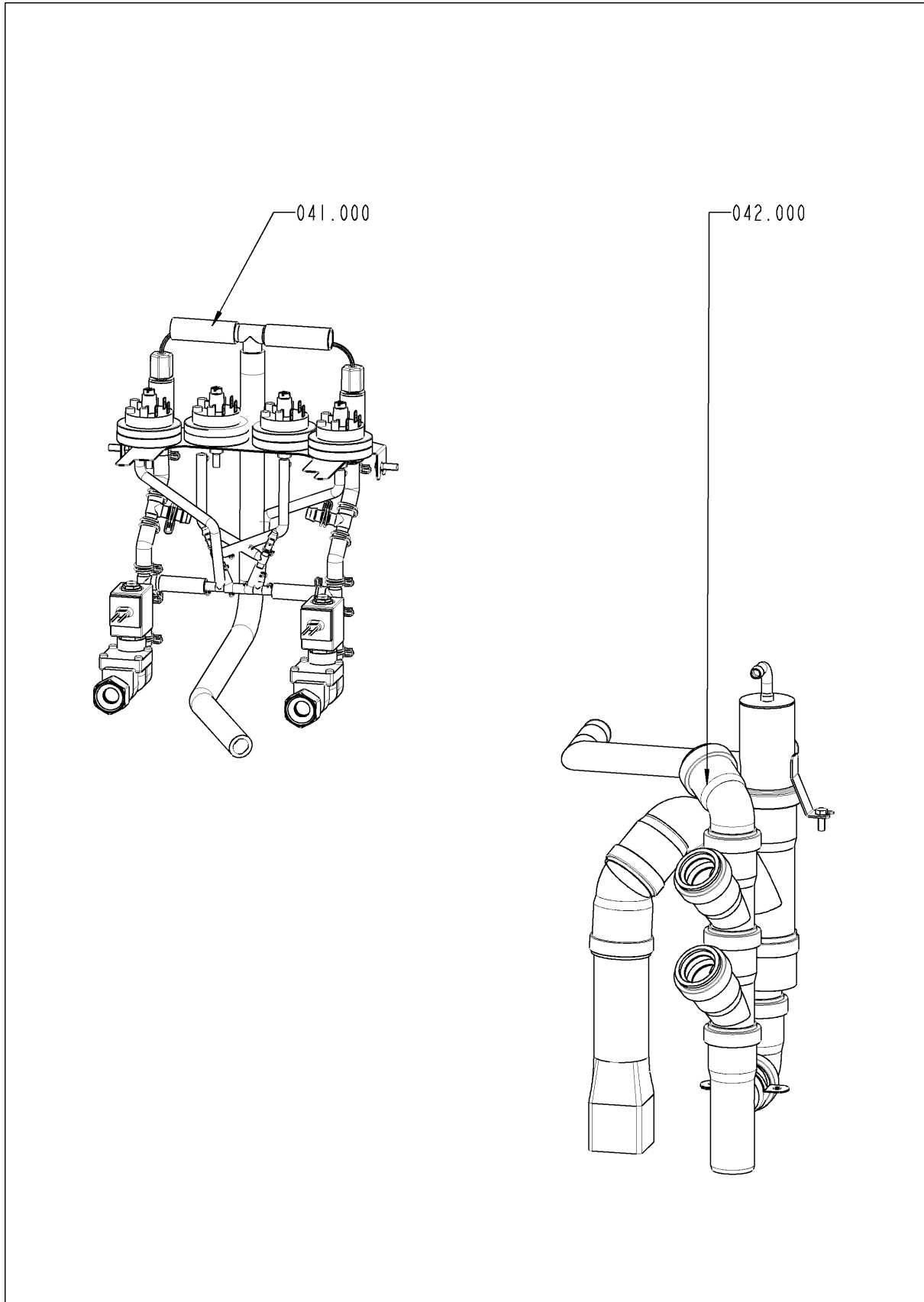
Hand shower roll guide



Hand shower roll guide

Pos.	Part No.	Description	Qty.
032.010	12.00.617	Shower roll guide holder	1
032.020	1008.0763	Hex screw M8x20	2
032.030	10.00.607	Hex combination nut M8	2
032.040	50.00.799	Hand shower roll guide VCC	1
032.060	50.00.590	Hand shower blue	1
032.070	50.00.156	Clamp f. hand shower roll guide	1
032.080	50.00.808	Pipe PP L50mm Ø40	1
032.090	50.00.297	Gasket f. tulip	1
032.100	2066.0531	Hose clamp ø56	1
032.110	50.00.748	Hose EPDM 15x22 120°	.245
032.120	10.00.814	Hose clamp Ø25.2	1

Quenching

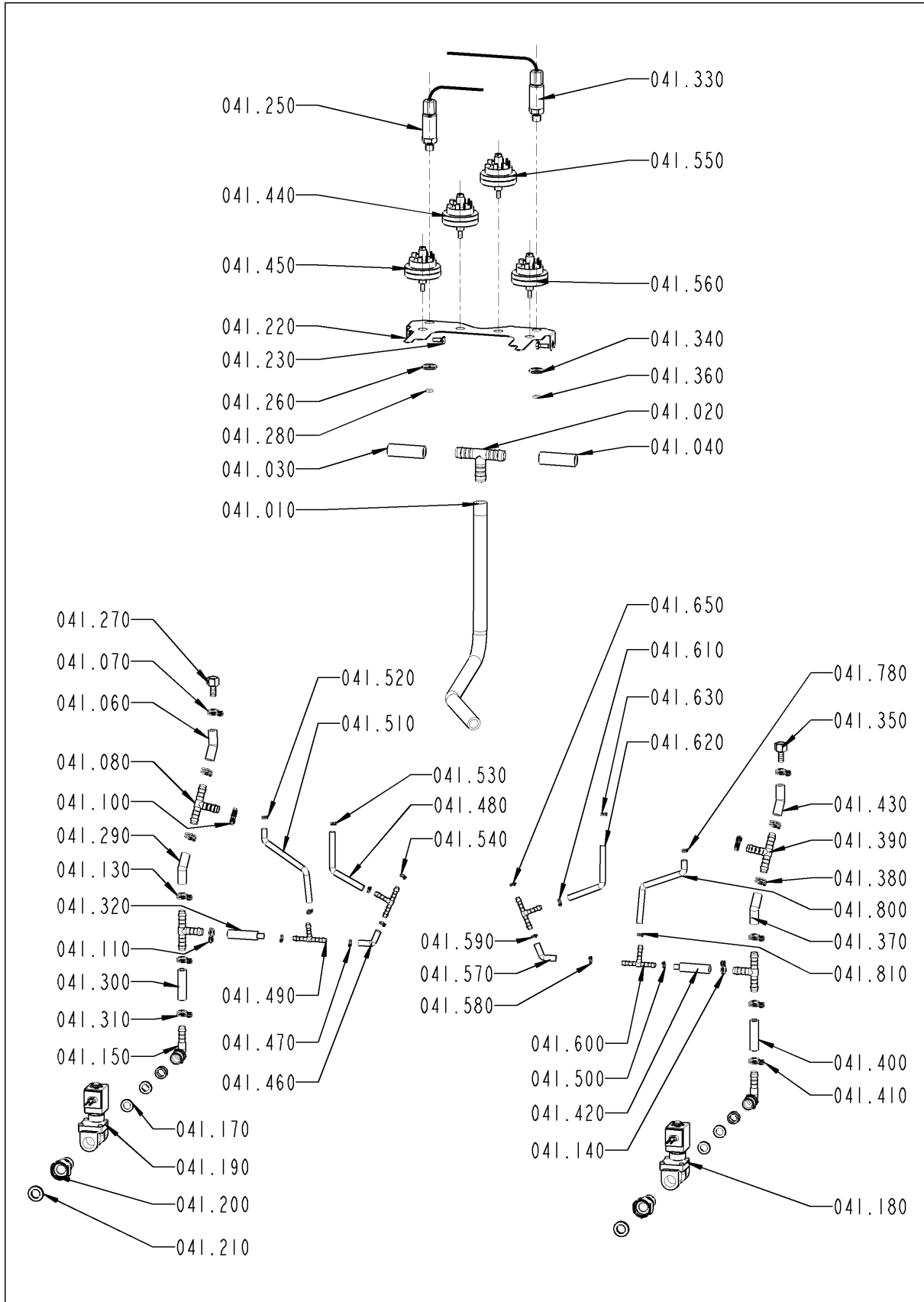




Quenching

Pos.	Part No.	Description	Qty.
041.000		Lid drain	1
042.000		Drain	1

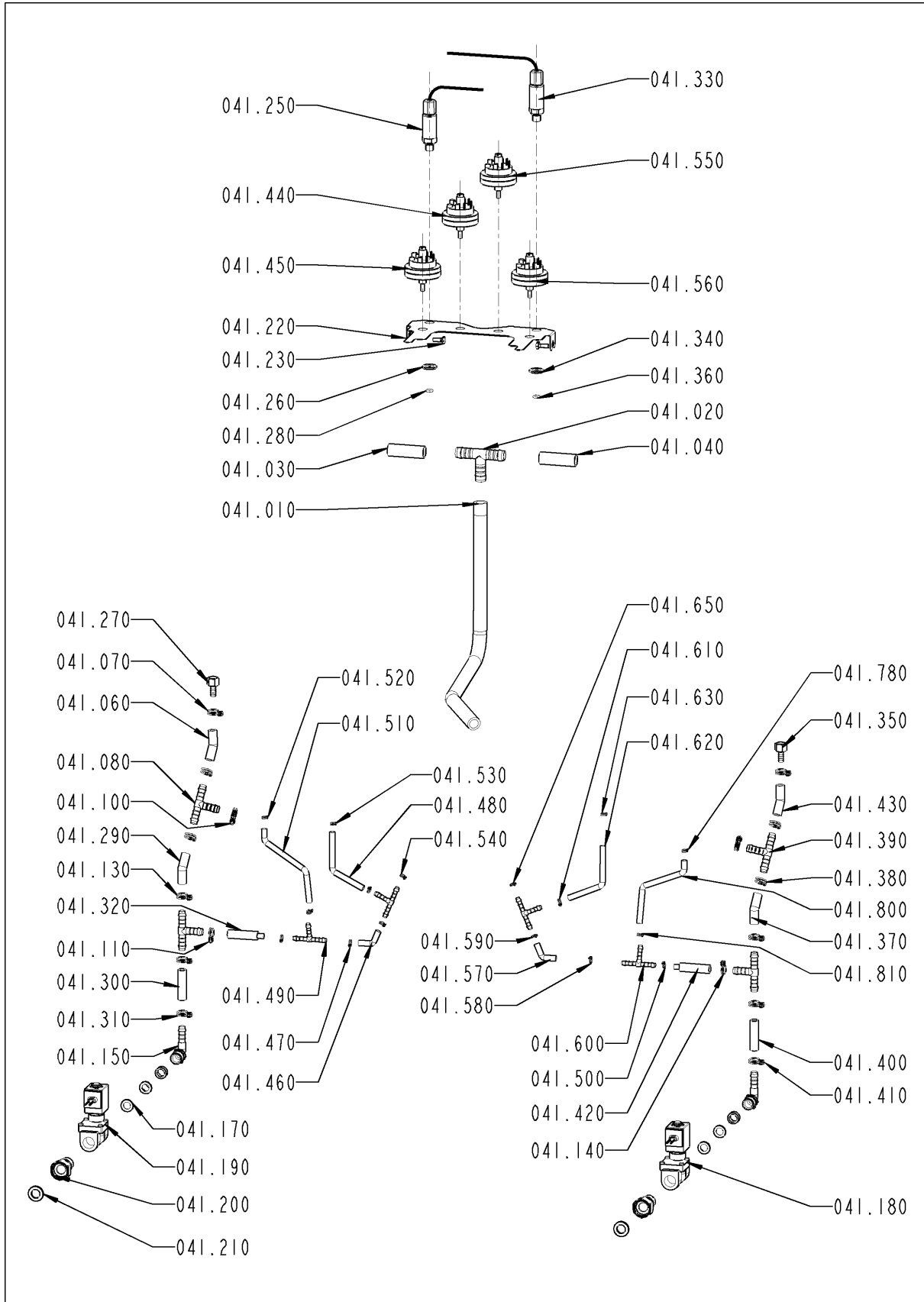
Lid drain



Lid drain

Pos.	Part No.	Description	Qty.
041.010	50.00.748	Hose EPDM 15x22 120°	.48
041.020	50.00.612	T-fitting plastic TS16	1
041.030	24.01.231	Silicone hose 16/20	.06
041.040	24.01.231	Silicone hose 16/20	.06
041.060	50.00.568	Silicone hose DIAM out. 14mm ins. 8mm	.05
041.070	2066.0530	Hose clamp ø16.4mm	2
041.080	2062.0302	T-fitting TS10	2
041.100	2066.0530	Hose clamp ø16.4mm	2
041.110	2066.0527	Hose clamp ø14mm	2
041.130	2066.0530	Hose clamp ø16.4mm	2
041.140	2066.0527	Hose clamp ø14mm	2
041.150	54.00.790	Elbow fitting 3/8" - Ø10	2
041.160	54.00.846	Reducing nipple 1/2" f - 3/8" m	2
041.170	50.00.599	Gasket TESNIT 20x12x2 1/2"	2
041.180	40.02.517	Solenoid valve 3/8" NO 112P Diam 5.2	1
041.190	40.02.517	Solenoid valve 3/8" NO 112P Diam 5.2	1
041.200	54.00.536	Threaded connection 3/4" 1/2" revolving nut	2
041.210	5110.1024	Gasket for G3/4" threaded joint	2
041.220	42.00.049	Mounting support for pressure sensor	1
041.230	1006.0760	Hex screw M6x16	3
041.250	40.02.348	Pressure sensor left	1
041.260	10.00.423	Washer M12 A2	1
041.270	50.00.655	Fitting F1/4 D9	1
041.280	40.02.014	O-ring NITRILE D16	1
041.290	50.00.568	Silicone hose DIAM out. 14mm ins. 8mm	.05
041.300	50.00.568	Silicone hose DIAM out. 14mm ins. 8mm	.05
041.310	2066.0530	Hose clamp ø16.4mm	2
041.320	22.00.508	Connecting nipple 112-311P	1
041.330	40.02.347	Pressure sensor right	1
041.340	10.00.423	Washer M12 A2	1
041.350	50.00.655	Fitting F1/4 D9	1
041.360	40.02.014	O-ring NITRILE D16	1
041.370	50.00.568	Silicone hose DIAM out. 14mm ins. 8mm	.05
041.380	2066.0530	Hose clamp ø16.4mm	2
041.390	2062.0302	T-fitting TS10	2
041.400	50.00.568	Silicone hose DIAM out. 14mm ins. 8mm	.05

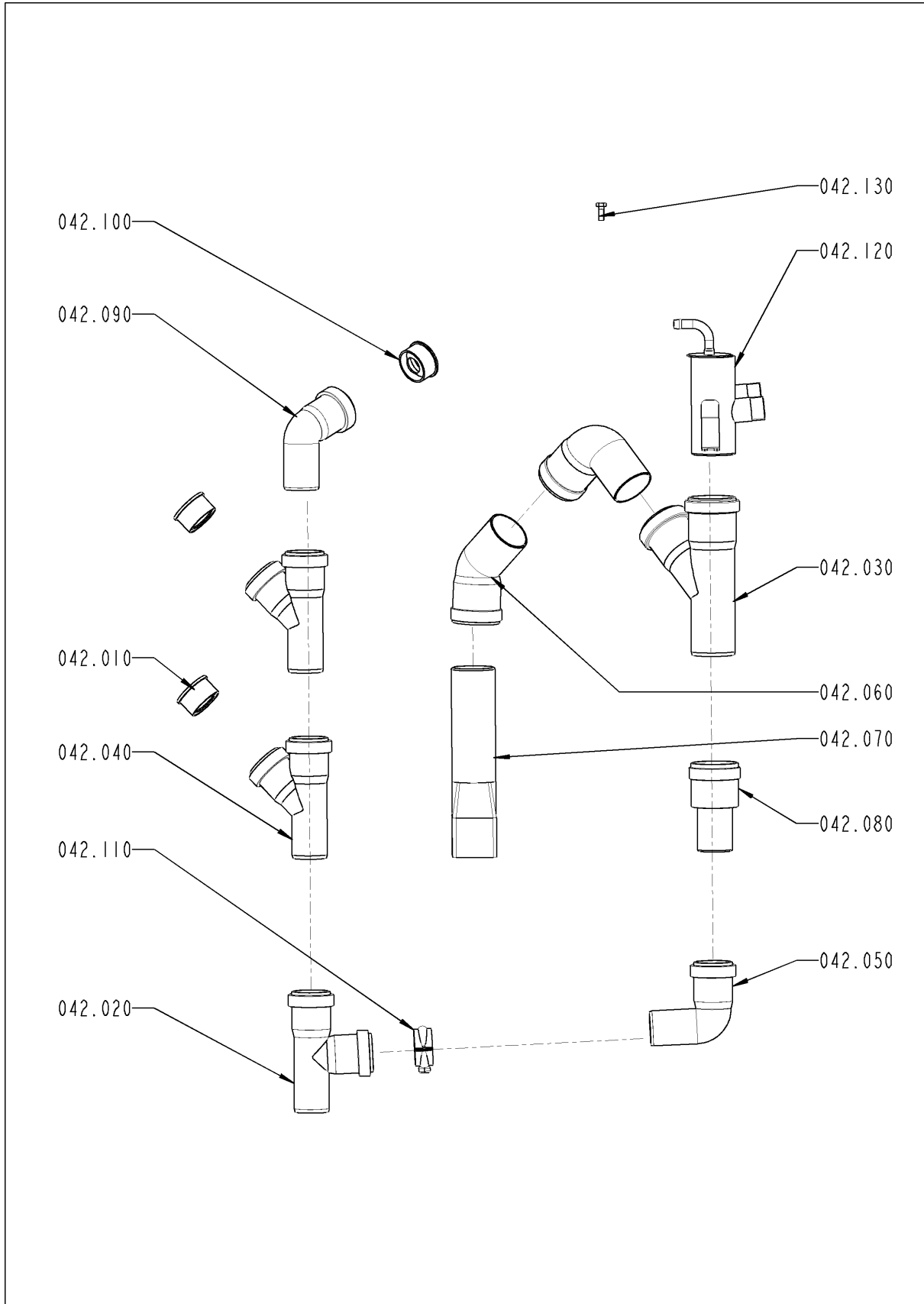
Lid drain



Lid drain

Pos.	Part No.	Description	Qty.
041.410	2066.0530	Hose clamp ø16.4mm	2
041.420	22.00.508	Connecting nipple 112-311P	1
041.430	50.00.568	Silicone hose DIAM out. 14mm ins. 8mm	.05
041.440	40.02.048	Pressure sensor	1
041.450	40.00.750	Pressure switch 200mbar	1
041.460	24.01.232	Silicone hose 6x9	.05
041.470	10.00.656	Hose clamp D9.1	1
041.480	24.01.232	Silicone hose 6x9	.125
041.490	44.00.749	T-fitting plastic DN6	2
041.500	2066.0533	Hose clamp ø10.1	2
041.510	24.01.232	Silicone hose 6x9	.05
041.520	2066.0533	Hose clamp ø10.1	2
041.530	2066.0533	Hose clamp ø10.1	2
041.540	2066.0533	Hose clamp ø10.1	2
041.550	40.02.048	Pressure sensor	1
041.560	40.00.750	Pressure switch 200mbar	1
041.570	24.01.232	Silicone hose 6x9	.07
041.580	10.00.656	Hose clamp D9.1	1
041.590	10.00.656	Hose clamp D9.1	1
041.600	44.00.749	T-fitting plastic DN6	2
041.610	2066.0533	Hose clamp ø10.1	2
041.620	24.01.232	Silicone hose 6x9	.07
041.630	2066.0533	Hose clamp ø10.1	2
041.650	2066.0533	Hose clamp ø10.1	2
041.780	10.00.656	Hose clamp D9.1	1
041.800	24.01.232	Silicone hose 6x9	.125
041.810	2066.0533	Hose clamp ø10.1	2

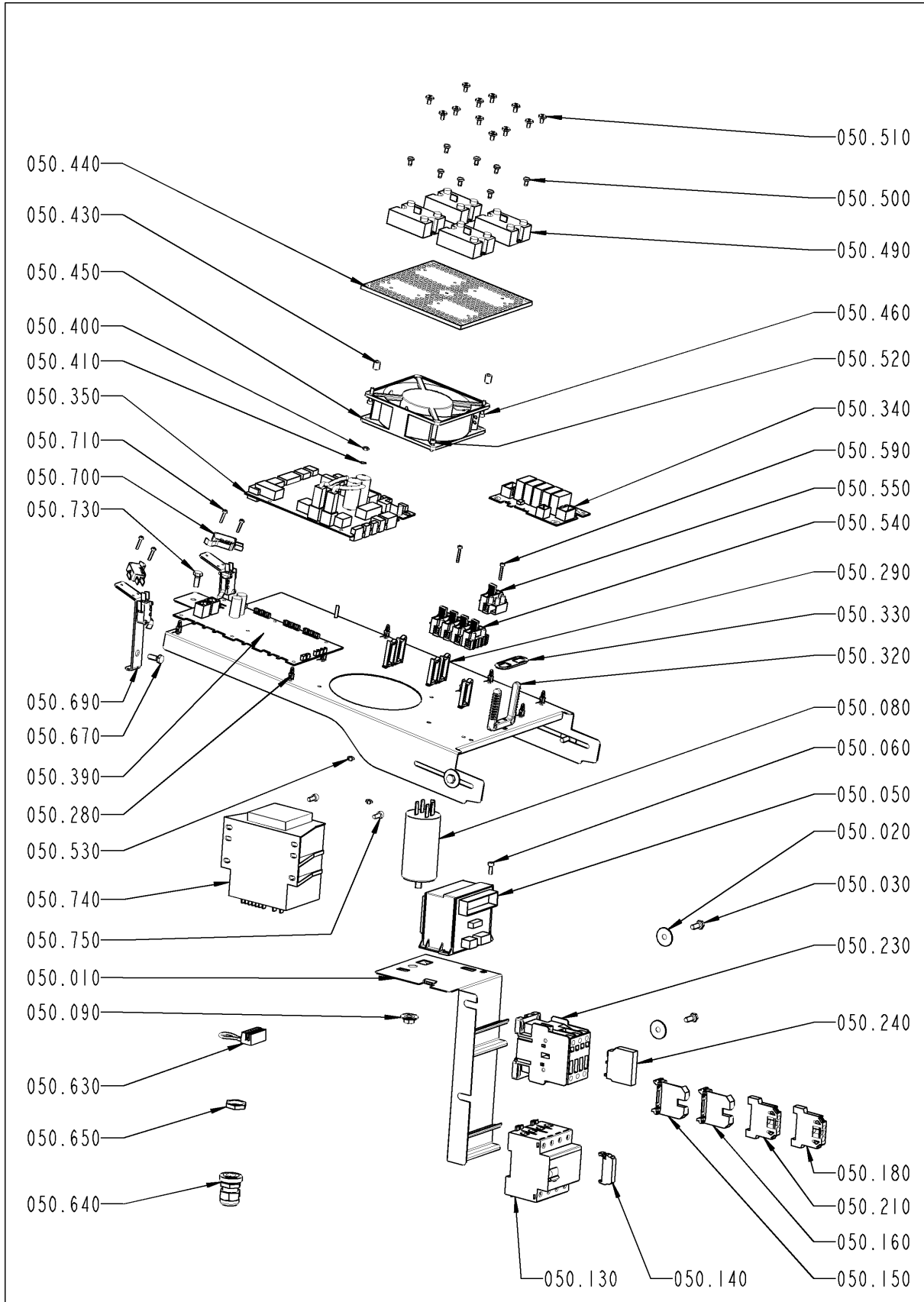
Drain



Drain

Pos.	Part No.	Description	Qty.
042.010	54.00.581	Bushing PP D40/D30-32	2
042.020	54.00.571	Y PP DN40 87°	1
042.030	54.00.608	Y-fitting PP DN 50 45°	1
042.040	54.00.589	Y PP DN40 45°	2
042.050	54.00.575	Elbow-pipe PP DN40 87.5°	1
042.060	54.00.562	Elbow-pipe PP DN50 45°	1
042.070	54.00.584	Tube 200mm Ø50 to square 50x50	1
042.080	54.00.593	Bushing PP D50/D40	1
042.090	54.00.573	Elbow-pipe PP DN40 67.5°	1
042.100	54.00.582	Bushing PP D40/D20	1
042.110	54.00.598	Pipe clamp D40	1
042.120	54.00.606	Quenching box compact	1
042.130	1006.0760	Hex screw M6x16	1

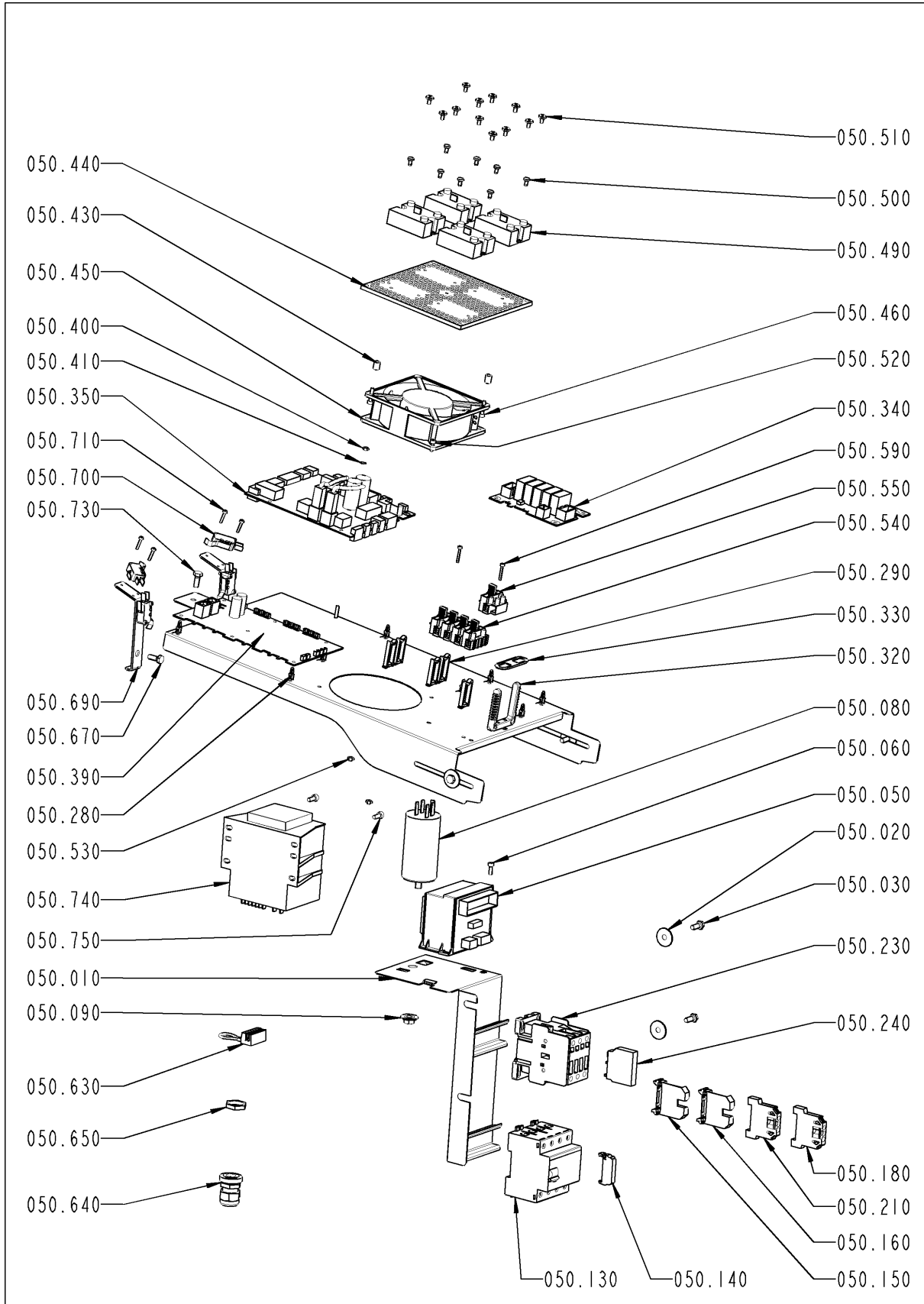
Contactor assembly



Contactor assembly

Pos.	Part No.	Description	Qty.
050.010	12.00.603	Thermostat and fuse holder complete	1
050.020	10.00.186	Washer broad LL6	2
050.030	1006.0760	Hex screw M6x16	2
050.050	40.00.277	Control transformer	1
050.060	1004.0663	Allen screw M4x12	1
050.080	40.02.471	Electronic noise filter	1
050.090	10.00.607	Hex combination nut M8	1
050.130	40.01.255	Differential switch	1
050.140	40.00.764	End plate for mounting rail	1
050.150	4001.1250	Terminal block 16mm ² blue	1
050.160	4001.1250	Terminal block 16mm ² blue	1
050.180	40.02.872	Earth terminal 10mm ² yellow/green	1
050.210	40.02.872	Earth terminal 10mm ² yellow/green	1
050.220	40.02.409	Barette of junction for block 16mm ²	1
050.230	40.00.805	Contactor CL25A300T6-M	1
050.240	3028.0560	Auxilliary contact BCLF10 N/O	1
050.280	40.02.047	Fixing clip white p/1.6mm	13
050.290	10.00.111	Cable clip long	8
050.320	10.00.676	Bundle-clip	1
050.330	10.00.677	Snap on cap f. bundle-clip	1
050.340	42.00.052	X relay pcb	1
050.350	42.00.054	Relay-I/O pcb	1
050.390	42.00.039	Relay-I/O pcb A4	1
050.400	1104.0120	Hex nut M4	2
050.410	10.00.187	Lock washer AZ 4	2
050.430	40.02.015	Distance nut PA H10 x 4.3 D.8MM	3
050.440	40.01.967	Fixing device for SSR	1
050.450	3101.1008	Cooling fan	1
050.460	10.00.954	Scew 4x18	2
050.490	40.01.589	Solid state relais	4
050.500	10.00.444	Raised countersunk head screw Torx M4x8	8
050.510	10.00.507	Pan head screw Torx 5/16" T20	12
050.520	1004.0663	Allen screw M4x12	2
050.530	1104.0121	Hex nut M4 self locking	2
050.540	4001.1295	Fuse holder e 1003Si/1DS	3
050.550	40.02.099	Fuse holder 1003SI	1

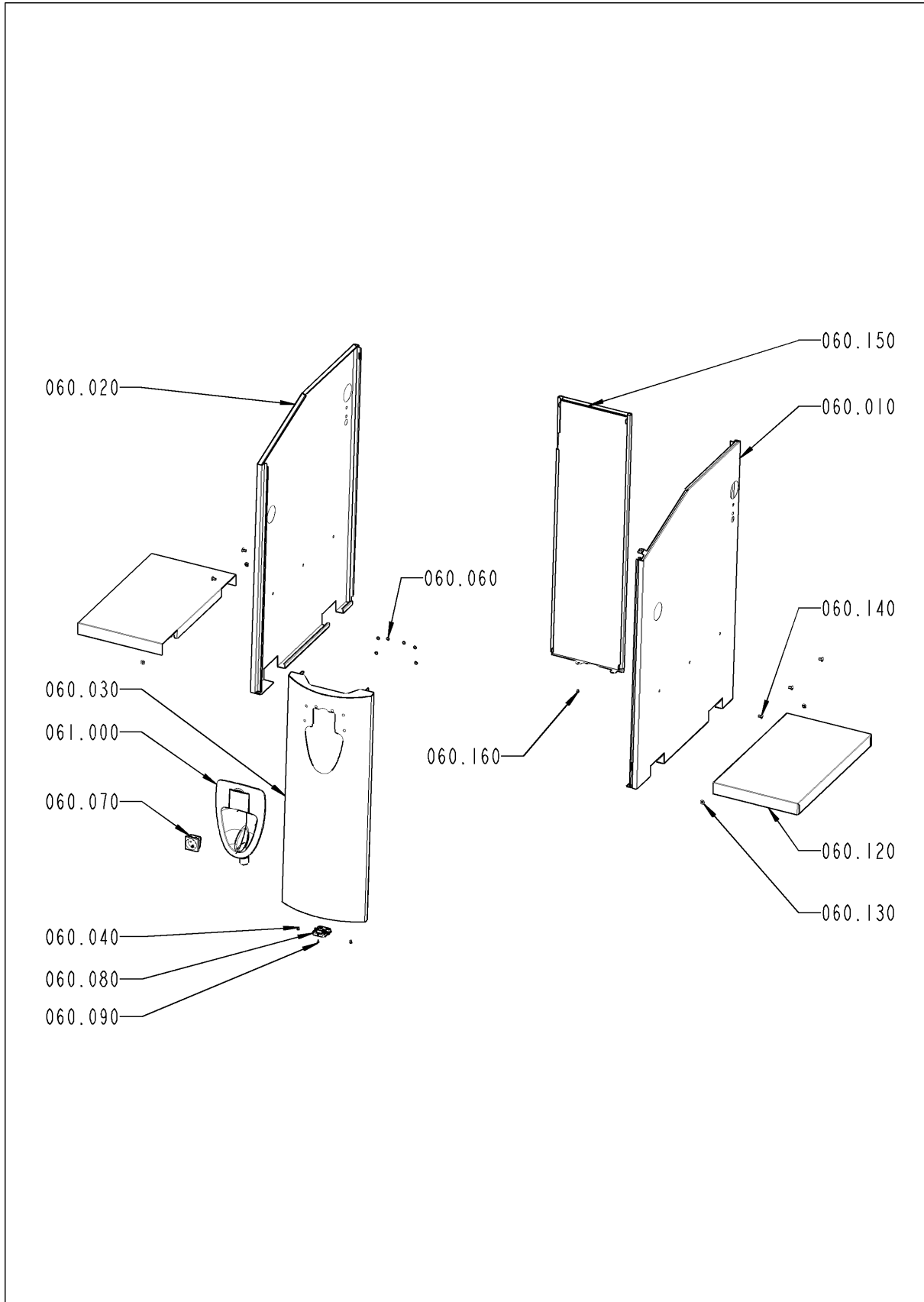
Contactor assembly



Contacteur assembly

Pos.	Part No.	Description	Qty.
050.560	4001.0224	Fuse 6.35x32mm	2
050.570	40.01.941	Fuse 6.35x32mm 8A	1
050.580	40.02.144	Fuse 6.32 X 32mm 10A	2
050.580	40.02.877	Fuse 6.3 X 32mm 13A	2
050.580	4001.0226	Fuse 6.35x32mm	2
050.590	10.00.611	Hex socket head cap screw A2 M3X20	2
050.690	12.00.598	Micro switch holder lid position	2
050.710	10.00.144	Hex screw 3X16 stainless steel A2	8
050.730	1006.0760	Hex screw M6x16	2
050.740	40.01.712	Transformer	1
050.750	1105.0121	Hex combination nut M5 galv	2
050.901	40.02.785	Cable X11/X12 position right lid	1
050.902	40.03.117	Bundle X11-X12/X26 with micro-switch	1
050.908	40.02.242	Cable X1 X46 112	1
050.909	40.02.854	Beam I/O-FRIMA X117/X118/X119-SSR	1
050.912	40.01.898	Cable I/O A4 pcb X120	1
050.914	40.02.778	Cable X130 jack lid lock left	1
050.917	40.02.786	Cable X13-X126	1
050.918	40.02.753	Cable X14	1
050.919	40.02.262	Cable X19 left	1
050.921	40.02.784	Cable X18 sol valve decompression	1
050.922	40.02.249	Cable X24 left	1
050.925	40.02.802	Cable RJ45 0.2m	1
050.927	40.00.472	Bus cable 1.3m	1
050.928	40.03.648	Control harness	1
050.929	40.02.751	Power harness K1 input	1
050.930	40.02.754	Power harness K1 output 112	1
050.931	40.02.281	Cable safety chain pressure	1
050.932	40.02.782	Cable X16 lid lock right	1

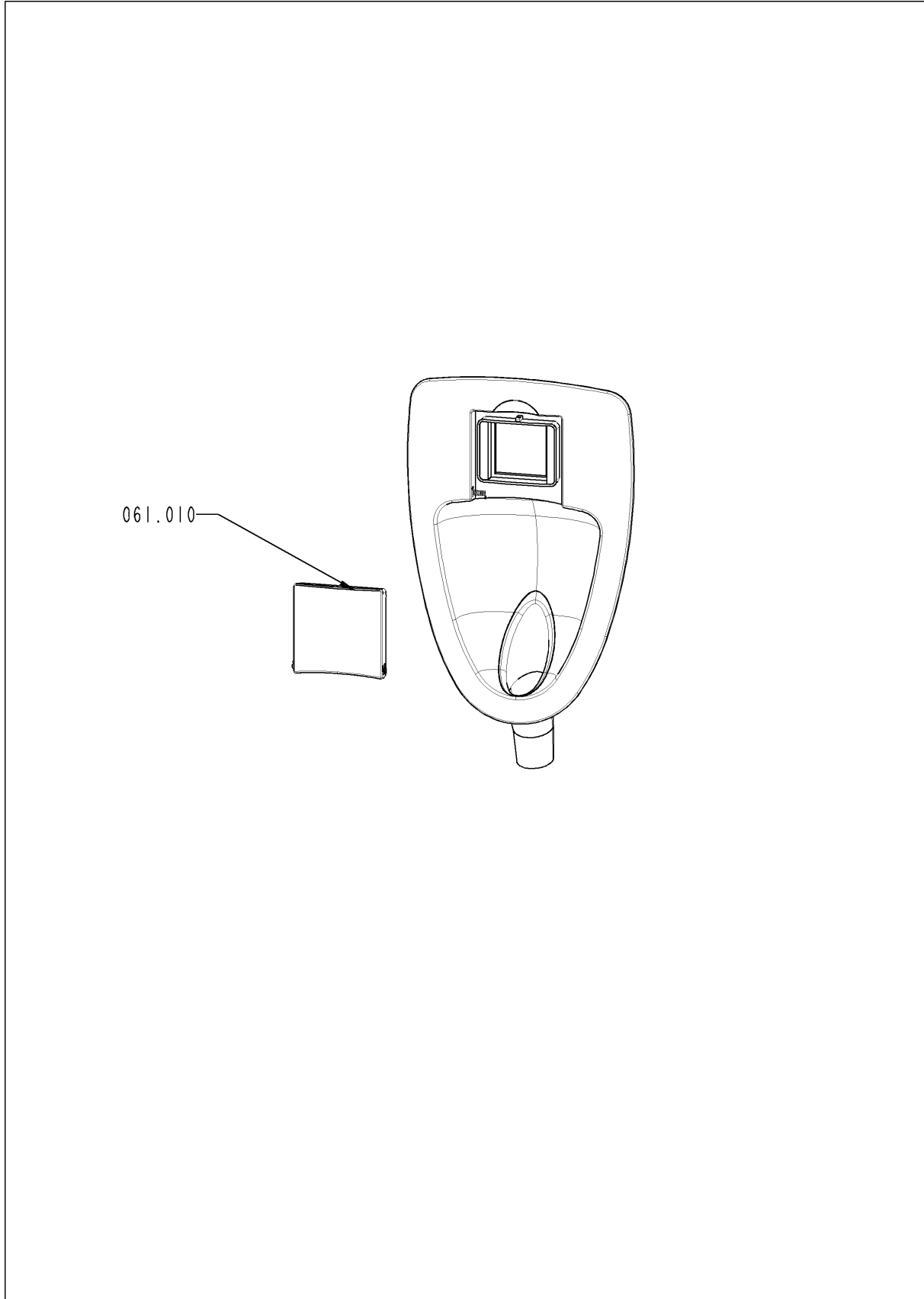
Exterior cabinet



Exterior cabinet

Pos.	Part No.	Description	Qty.
060.010	16.01.370	Side panel right for console	1
060.020	16.01.366	Side panel left console	1
060.030	16.01.467	Front panel console cpl.	1
060.040	10.00.606	Allen screw M5x8 A2	2
060.060	1107.0101	Star lock ø5	6
060.070	40.02.098	Socket 2P+T 13A (GB)	1
060.070	40.02.096	Socket 2P+T 10A (CH)	1
060.070	40.02.097	Socket 2P+T 16A (IT)	1
060.070	40.01.409	Socket 2P+T 16A (France)	1
060.070	40.01.410	Socket 2P+T 16A (Germany)	1
060.080	16.00.329	Cover f. USB interface	1
060.090	10.00.103	EJOT PT-screw KA 3.5x10	1
060.100	40.00.470	Interface cable USB 1.5m	1
060.110	10.00.460	EJOT PT-Screw Torx 3,5x14	2
060.120	12.00.709	Plate hides foot right and left	2
060.130	1105.0121	Hex combination nut M5 galv	4
060.140	10.00.150	Slotted pan head screw M6/12 A2	6
060.150	16.01.464	Back panel console	1
060.160	10.00.606	Allen screw M5x8 A2	1
061.000	16.01.179	Tulip cpl.blue RAL5008	1

Tulip

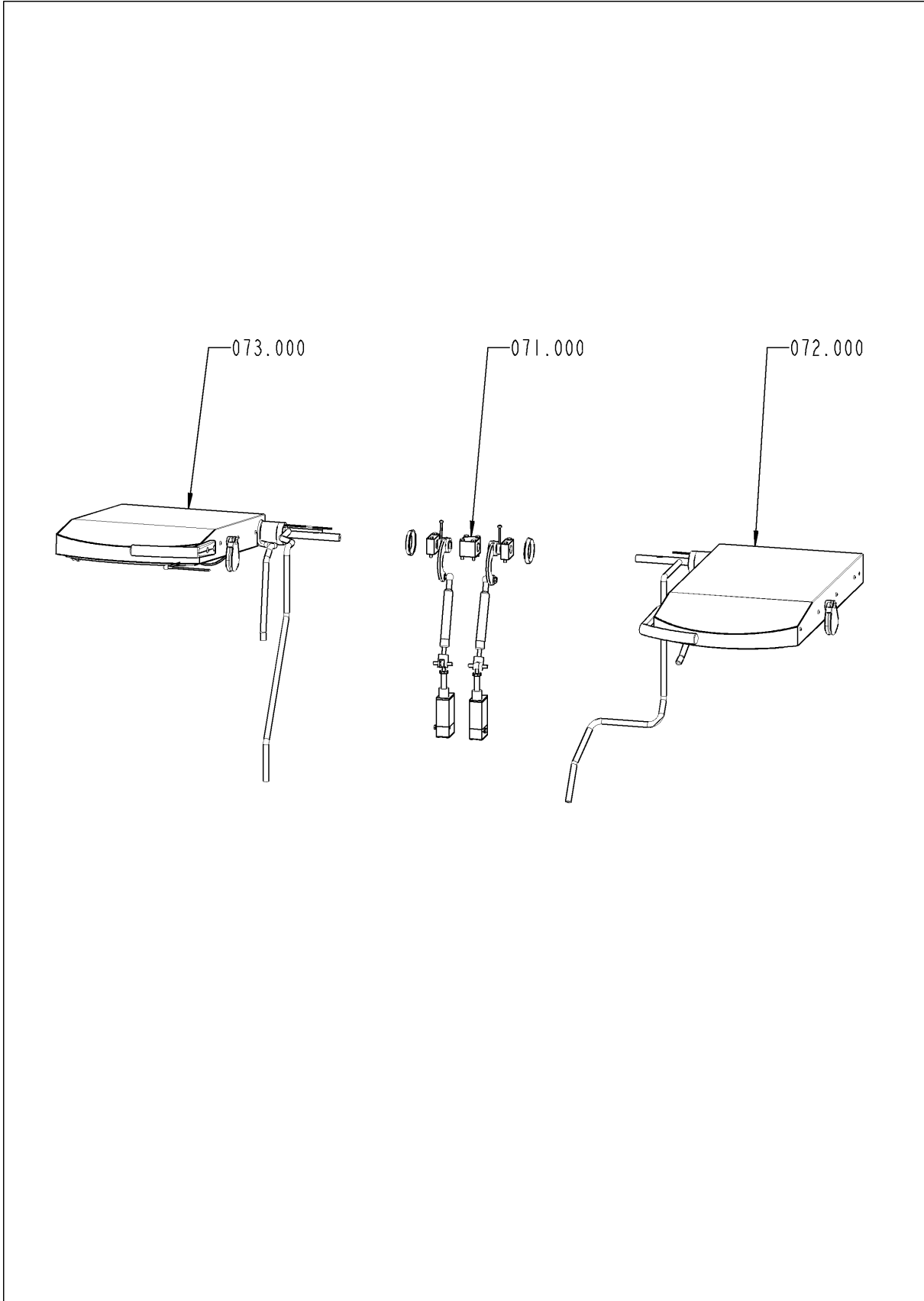




Tulip

Pos.	Part No.	Description	Qty.
061.010	87.00.196	Socket cover for tulip blue	1

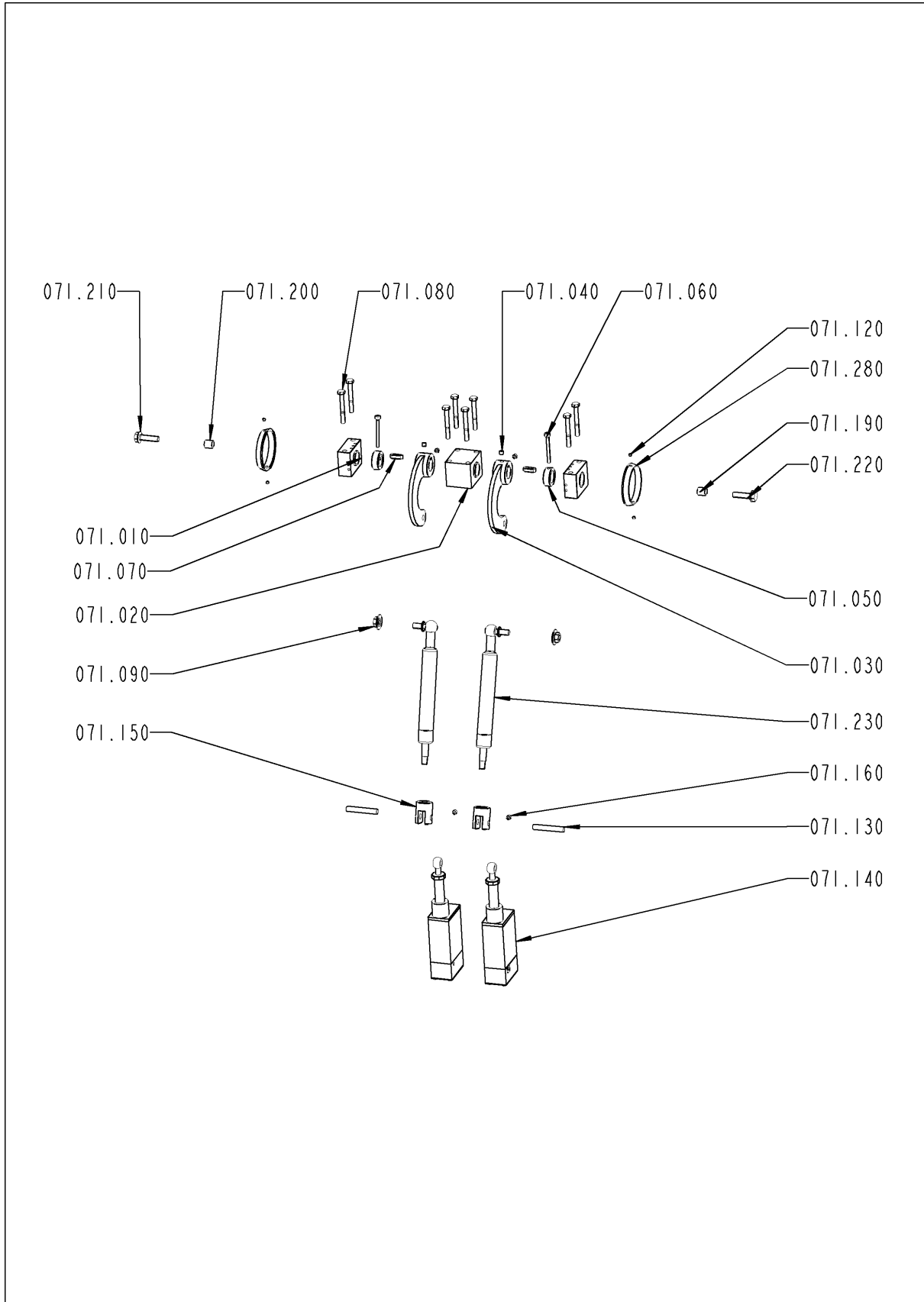
Lid



Lid

Pos.	Part No.	Description	Qty.
071.000		Drife shaft, lid	1
072.000		Lid right	1
073.000		Lid left	1

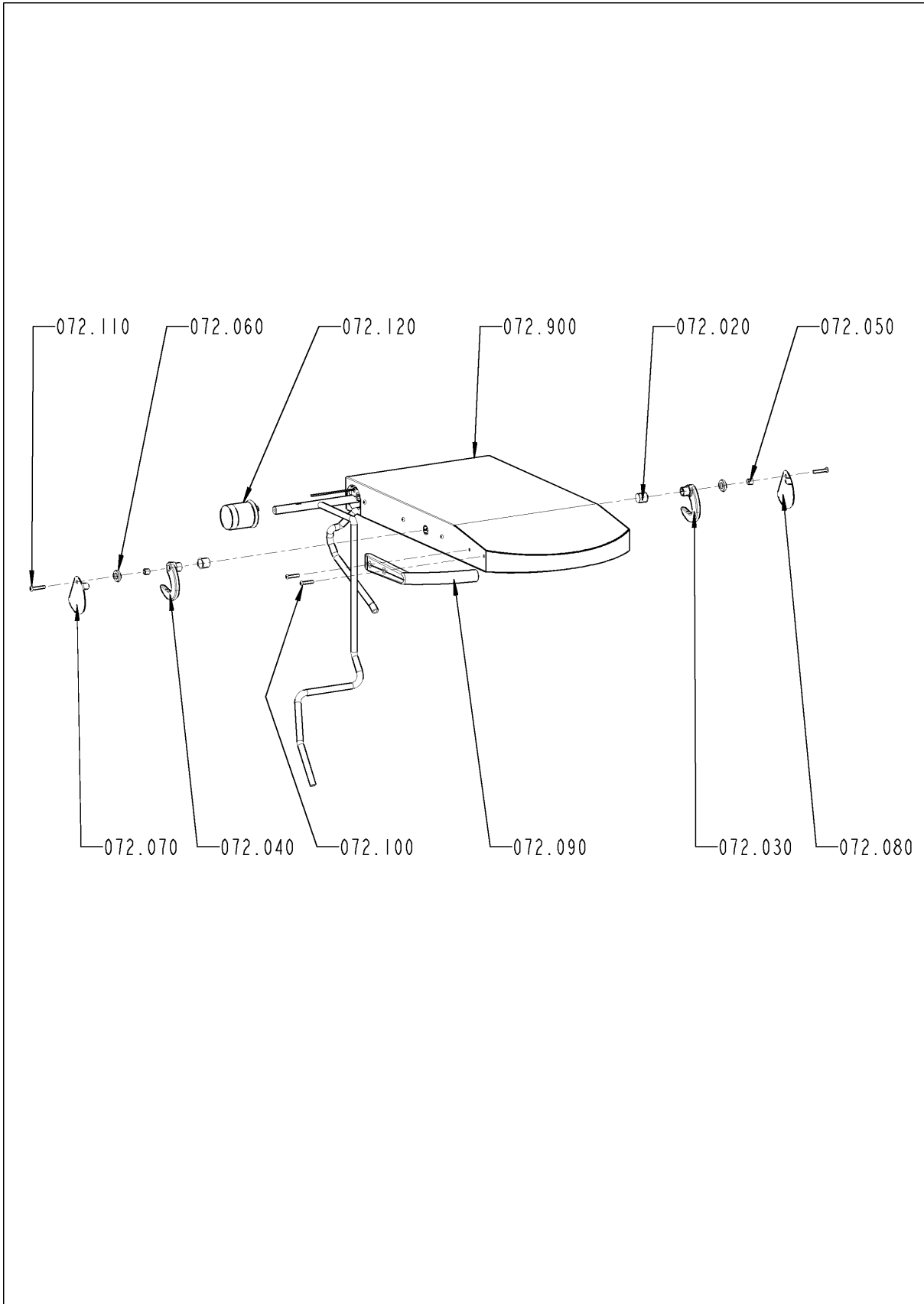
Drife shaft, lid



Drife shaft, lid

Pos.	Part No.	Description	Qty.
071.010	24.01.208	Bearing shaft lid	2
071.020	24.01.209	Bearing shaft lid central complete	1
071.030	24.01.563	Arm raising lid	2
071.040	10.00.595	Hex socket set screw cup point A2 M6X6	4
071.050	24.00.889	Stop ring	2
071.060	10.00.633	Hex socket head cap screw M5X45	2
071.070	20.00.689	Key toppling ppan/lid	2
071.080	10.00.596	Hex screw M6x50 A2	8
071.090	10.00.607	Hex combination nut M8	2
071.120	10.00.452	Hex socket set screw cup point A2 M4X4	8
071.130	24.00.793	Shaft jack raising lid	2
071.140	24.00.803	Lifting cylinder for lid	2
071.150	24.00.791	Cap of shaft lid	2
071.160	1004.0905	Hex socket set screw M5x6	2
071.190	10.00.652	Tube for drip collector fixation	1
071.200	10.00.652	Tube for drip collector fixation	1
071.210	1008.0769	Ornamental screw M8x30	1
071.220	1008.0769	Ornamental screw M8x30	1
071.230	24.01.539	Gas-filled support 800N	2
071.280	20.01.033	Collar	2

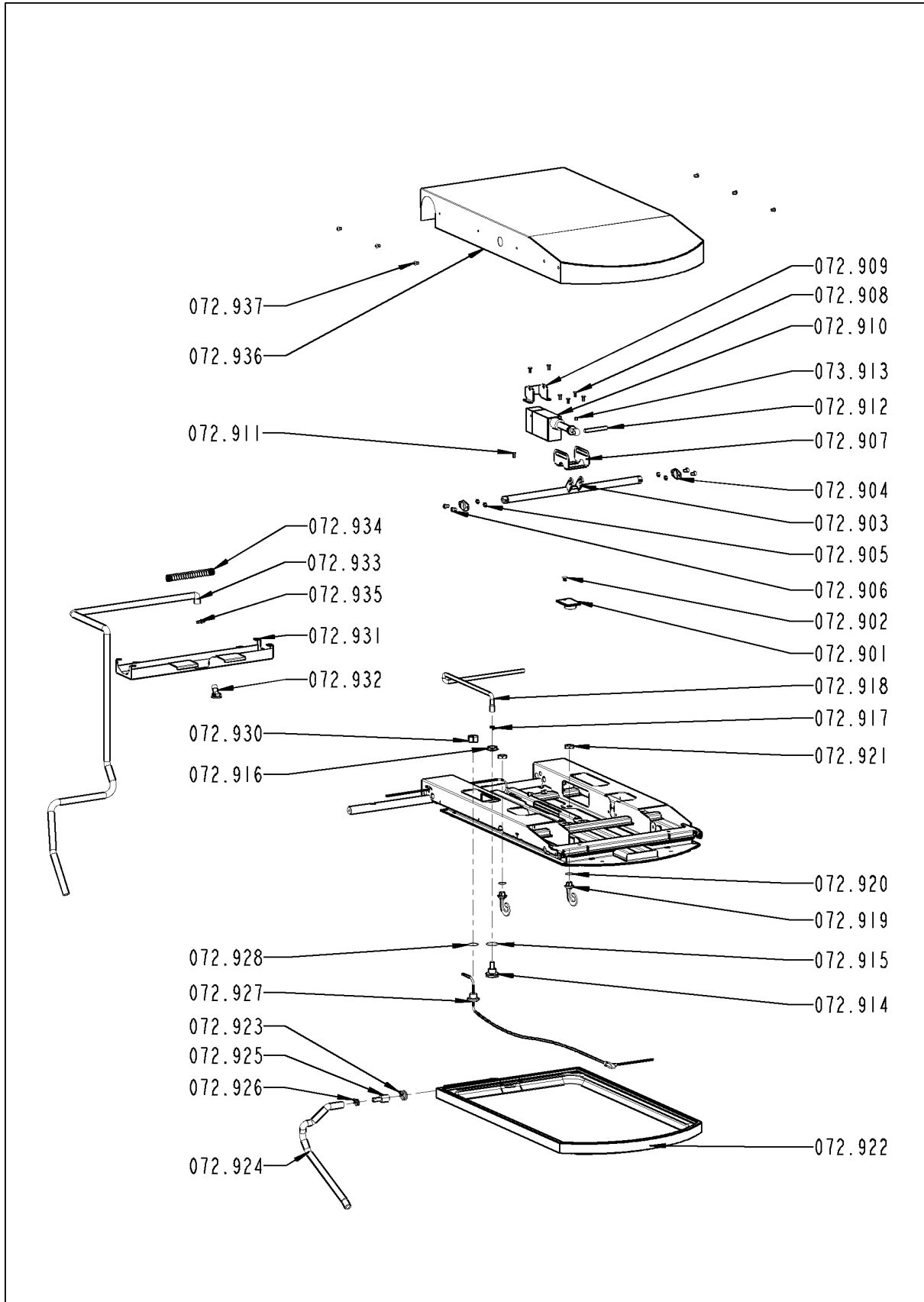
Lid right



Lid right

Pos.	Part No.	Description	Qty.
072.020	10.00.845	Bearing with flange Iglidur GFM-2021-20	4
072.030	24.01.396	Hook of Locking left	1
072.040	24.01.395	Hook of Locking left	1
072.050	24.01.488	Brace hook of locking	2
072.060	24.01.492	Ring Teflon of the axis locking lid	2
072.070	24.01.491	Left protection of hook	1
072.080	24.01.490	Right protection of hook	1
072.090	24.01.357	Cover handle blue	1
072.100	10.00.847	Raised countersunk allen screw M6x30	2
072.110	10.00.848	Raised countersunk allen screw M6x30	2
072.120	24.01.394	Blue Lid axis cover	1
072.900	24.01.405	Lid right complete	1

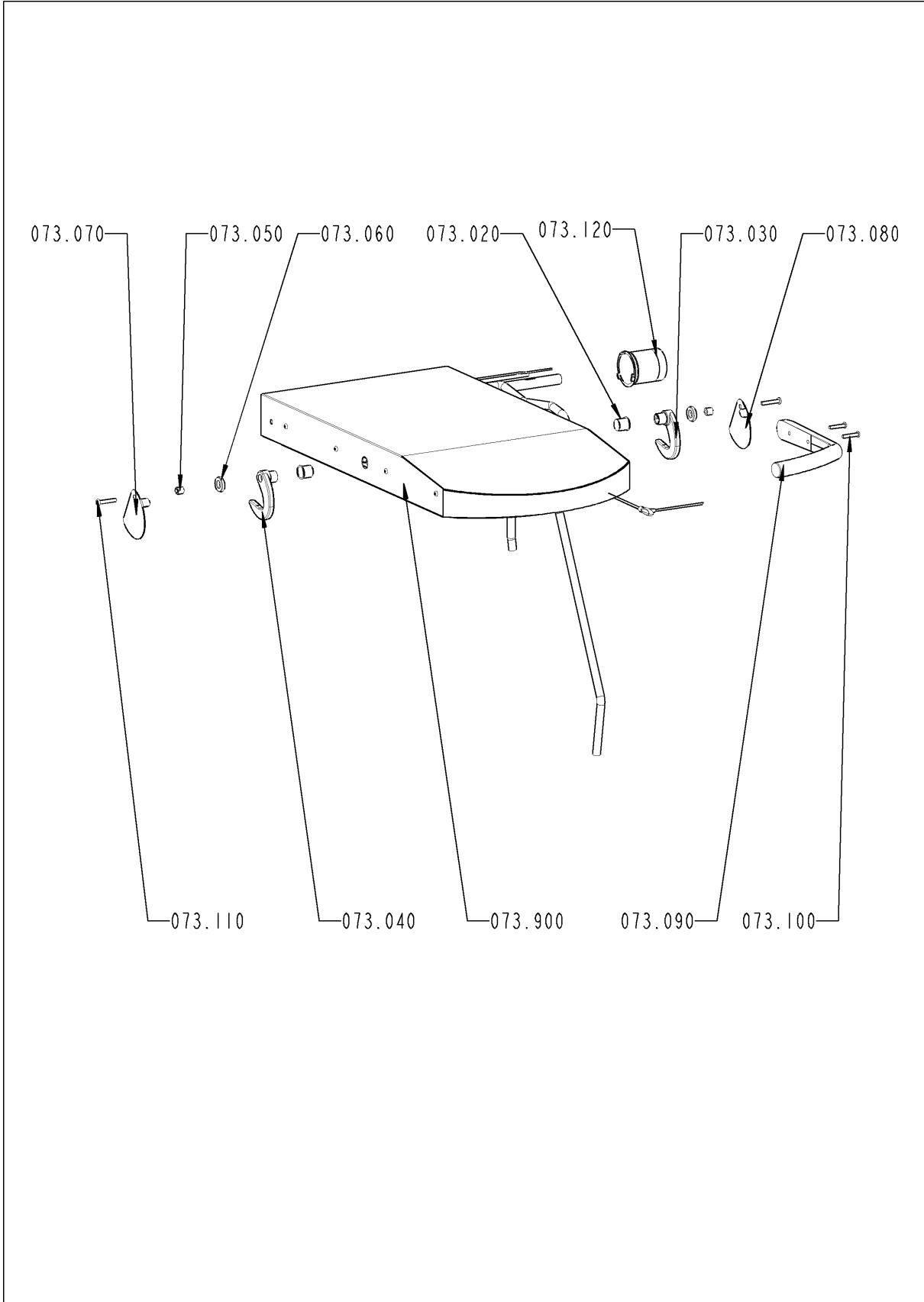
Lid right



Lid right

Pos.	Part No.	Description	Qty.
072.901	24.00.769	Magnet for lid (core temperature)	1
072.902	10.00.843	Slotted pan head screw M5x14 DIN 912	1
072.903	24.01.497	Locking shaft complete	1
072.904	10.00.842	Flange Bearing GFL-16	2
072.905	10.00.846	Hex nut self-locking M5 Din 985	4
072.906	10.00.844	Allen screw M5x8 Din 912	4
072.907	24.01.483	Guide clamp jack lid	1
072.908	10.00.239	EJOT PT-Screw Torx 4x10	7
072.909	24.01.489	Butted of fixing of jack	1
072.910	24.01.388	Lid locking cylinder	1
072.911	10.00.856	Allen screw M6x8 DIN 912	2
072.912	24.01.538	Axis of jack lid	1
072.913	10.00.858	Hex socket set screw M5x5 Din 913	1
072.914	24.01.330	Cover for pressure connection	1
072.915	20.00.879	O-ring 25X1.5 EPDM	1
072.916	10.00.225	Nut 3/8"	1
072.917	2066.0533	Hose clamp ø10.1	1
072.918	24.01.232	Silicone hose 6x9	1.03
072.919	24.01.507	Hook of basket	2
072.920	10.00.854	O-ring 15x1,5	2
072.921	1112.0220	Hex nut M12 flat	1
072.922	24.01.503	Lid gasket right	1
072.923	10.00.648	Hose clamp d.20.2	1
072.924	50.00.568	Silicone hose DIAM out. 14mm ins. 8mm	.5
072.925	24.01.175	Adapter regulation pipe steam	1
072.926	2066.0527	Hose clamp ø14mm	1
072.927	24.01.300	Meat probe sensor	1
072.928	20.00.680	O-ring 21x 1.5 EPDM	1
072.930	24.01.329	Core sensor nut	1
072.931	24.01.500	Hinge Cover of right lid	1
072.932	50.00.713	Water nozzle	1
072.933	50.00.568	Silicone hose DIAM out. 14mm ins. 8mm	1.28
072.934	50.00.617	Spring f. hose, water filling	1
072.935	2066.0530	Hose clamp ø16.4mm	1
072.936	24.01.499	Lid cover right	1
072.937	10.00.606	Allen screw M5x8 A2	7

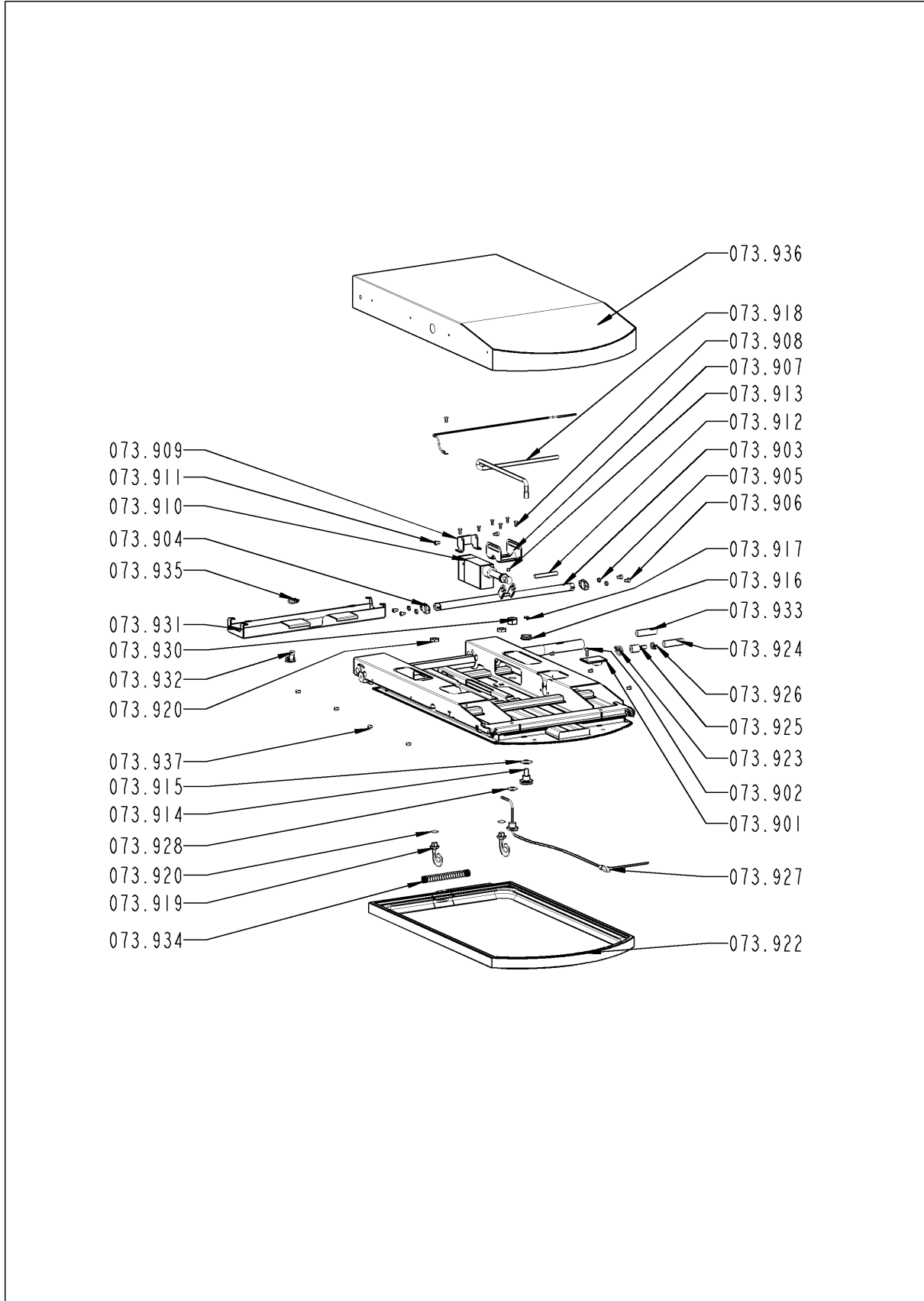
Lid left



Lid left

Pos.	Part No.	Description	Qty.
073.020	10.00.845	Bearing with flange Iglidur GFM-2021-20	4
073.030	24.01.396	Hook of Locking left	1
073.040	24.01.395	Hook of Locking left	1
073.050	24.01.488	Brace hook of locking	2
073.060	24.01.492	Ring Teflon of the axis locking lid	2
073.070	24.01.491	Left protection of hook	1
073.080	24.01.490	Right protection of hook	1
073.090	24.01.357	Cover handle blue	1
073.100	10.00.847	Raised countersunk allen screw M6x30	2
073.110	10.00.848	Raised countersunk allen screw M6x30	2
073.120	24.01.394	Blue Lid axis cover	1
073.900	24.01.406	Lid left complete	1

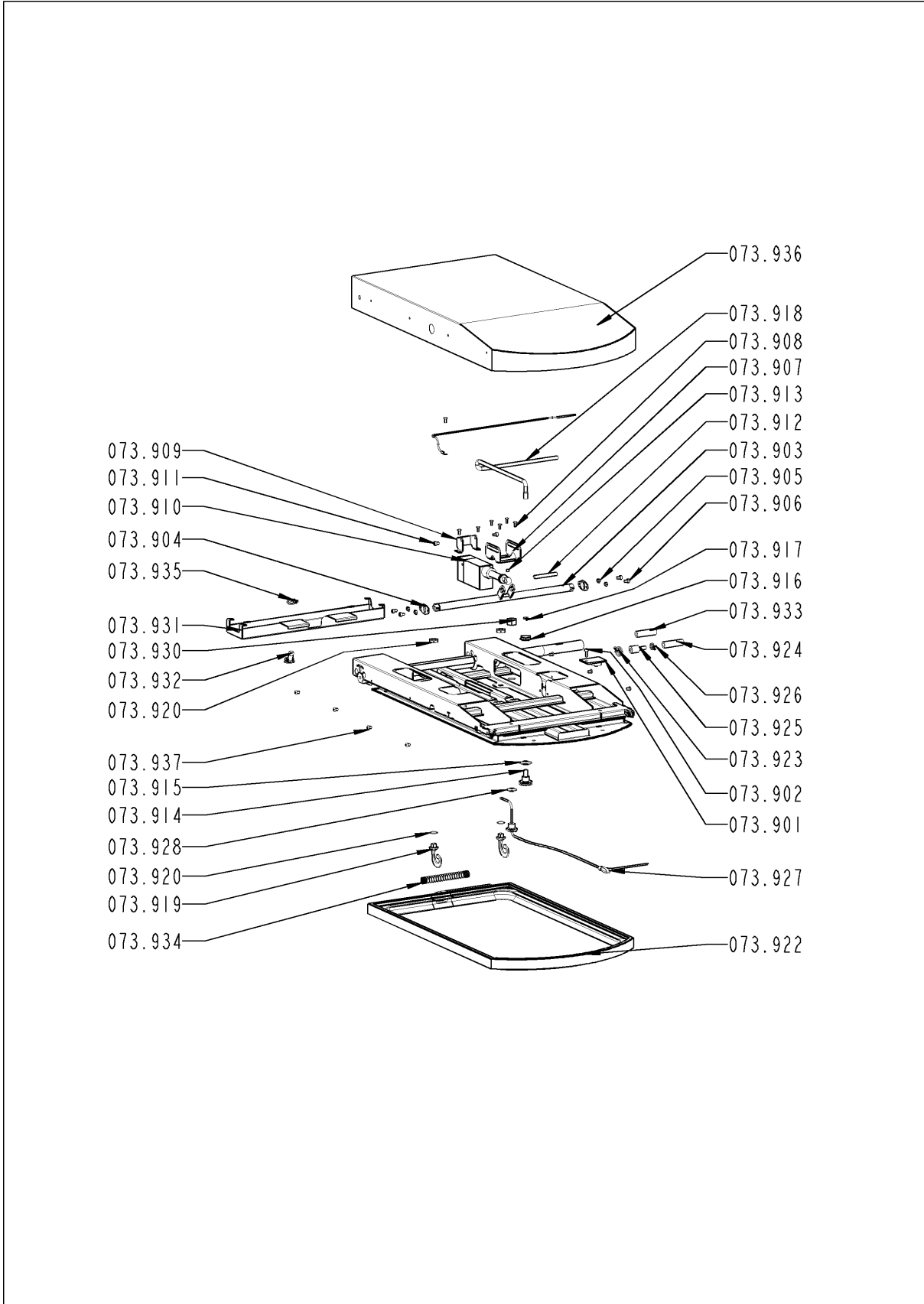
Lid left



Lid left

Pos.	Part No.	Description	Qty.
073.901	24.00.769	Magnet for lid (core temperature)	1
073.902	10.00.843	Slotted pan head screw M5x14 DIN 912	1
073.903	24.01.497	Locking shaft complete	1
073.904	10.00.842	Flange Bearing GFL-16	2
073.905	10.00.846	Hex nut self-locking M5 Din 985	4
073.906	10.00.844	Allen screw M5x8 Din 912	4
073.907	24.01.483	Guide clamp jack lid	1
073.908	10.00.239	EJOT PT-Screw Torx 4x10	7
073.909	24.01.489	Butted of fixing of jack	1
073.910	24.01.388	Lid locking cylinder	1
073.911	10.00.856	Allen screw M6x8 DIN 912	2
073.912	24.01.538	Axis of jack lid	1
073.913	10.00.858	Hex socket set screw M5x5 Din 913	1
073.914	24.01.330	Cover for pressure connection	1
073.915	20.00.879	O-ring 25X1.5 EPDM	1
073.916	10.00.225	Nut 3/8"	1
073.917	2066.0533	Hose clamp ø10.1	1
073.918	24.01.232	Silicone hose 6x9	1.03
073.919	24.01.507	Hook of basket	2
073.920	10.00.854	O-ring 15x1,5	2
073.921	1112.0220	Hex nut M12 flat	1
073.922	24.01.504	Lid gasket left	1
073.923	10.00.648	Hose clamp d.20.2	1
073.924	50.00.568	Silicone hose DIAM out. 14mm ins. 8mm	.5
073.925	24.01.175	Adapter regulation pipe steam	1
073.926	2066.0527	Hose clamp ø14mm	1
073.927	24.01.300	Meat probe sensor	1
073.928	20.00.680	O-ring 21x 1.5 EPDM	1
073.929	10.00.872	Washer 16,2x24x1,5	1
073.930	24.01.329	Core sensor nut	1
073.931	24.01.494	Hinge Cover for lid	1
073.932	50.00.713	Water nozzle	1
073.933	50.00.568	Silicone hose DIAM out. 14mm ins. 8mm	1.28
073.934	50.00.617	Spring f. hose, water filling	1
073.935	2066.0530	Hose clamp ø16.4mm	1
073.936	24.01.474	Lid cover left	1

Lid left

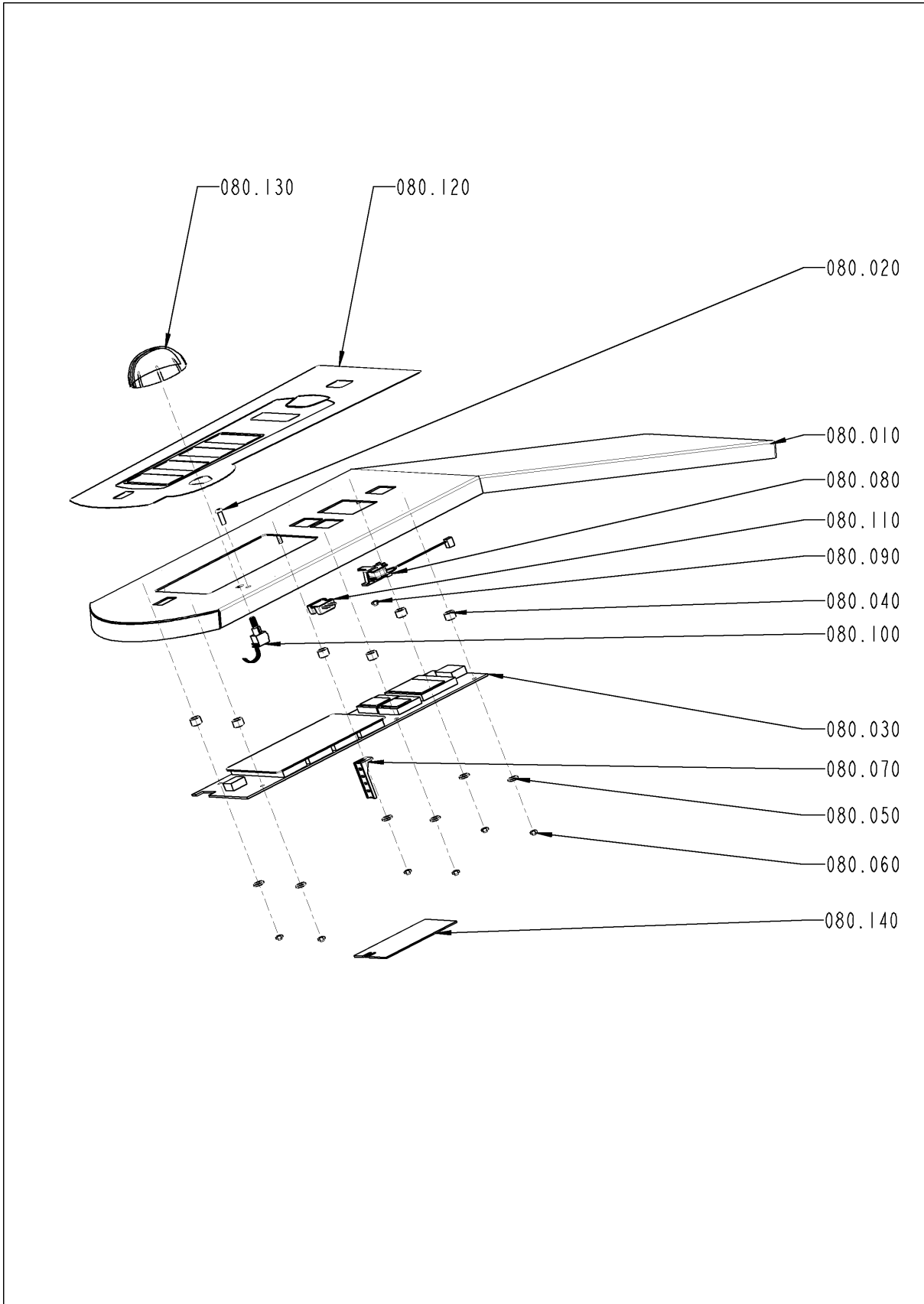




Lid left

Pos.	Part No.	Description	Qty.
073.937	10.00.606	Allen screw M5x8 A2	7

Control panel



Control panel

Pos.	Part No.	Description	Qty.
080.010	16.01.431	Control panel w/o Vitro 112	1
080.020	10.00.610	Allen screw A2 M5X16	1
080.030	42.00.002V	Control pcb	1
080.040	40.01.996	Distance bush PA d12/5x7.2	6
080.050	1306.0218	Washer A4,3	6
080.060	1104.0121	Hex nut M4 self locking	6
080.070	2020.0400	Fixing device for cable harness	1
080.080	40.02.087	Buzzer	1
080.090	1104.0121	Hex nut M4 self locking	1
080.100	40.00.404	Pulse generator	1
080.110	87.00.165	External memory flashed	1
080.120	16.01.169	Overlay VCC/E *Rational* 112-311	1
080.130	16.00.232	Dial f. pulse generator blue	1

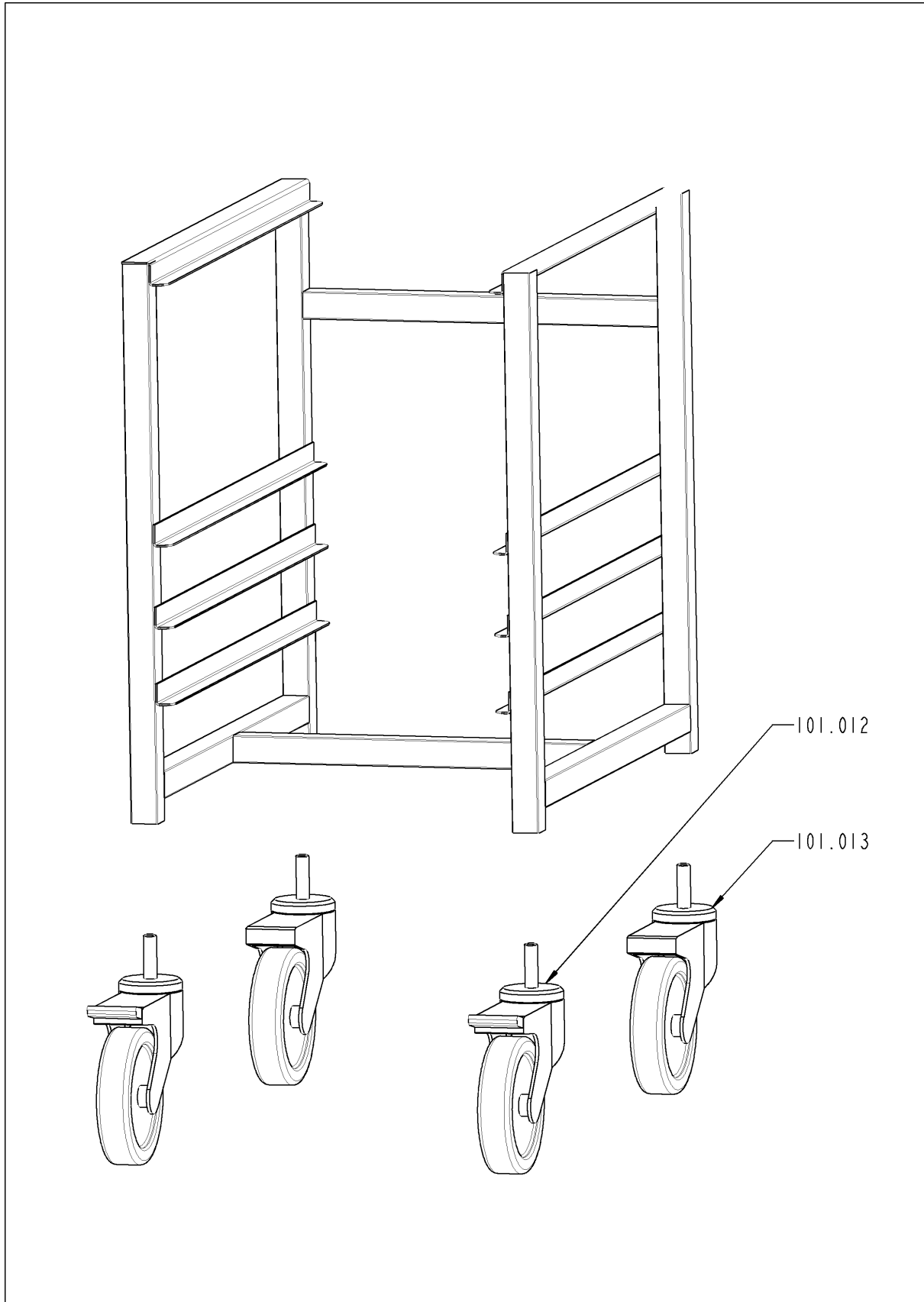
Accessories



Accessories

Pos.	Part No.	Description	Qty.
101.000		Variomobil	1
102.000		Oil trolley with heating system	1
103.000		Oil trolley	1
104.000		Chef's table	1
105.000		Basket cart	1
106.000		Ultravent	1

Variomobil





Variomobil

Pos.	Part No.	Description	Qty.
101.012	60.60.667	Castor with brake ø125mm	2
101.013	60.60.666	Castor without brake ø125mm	2

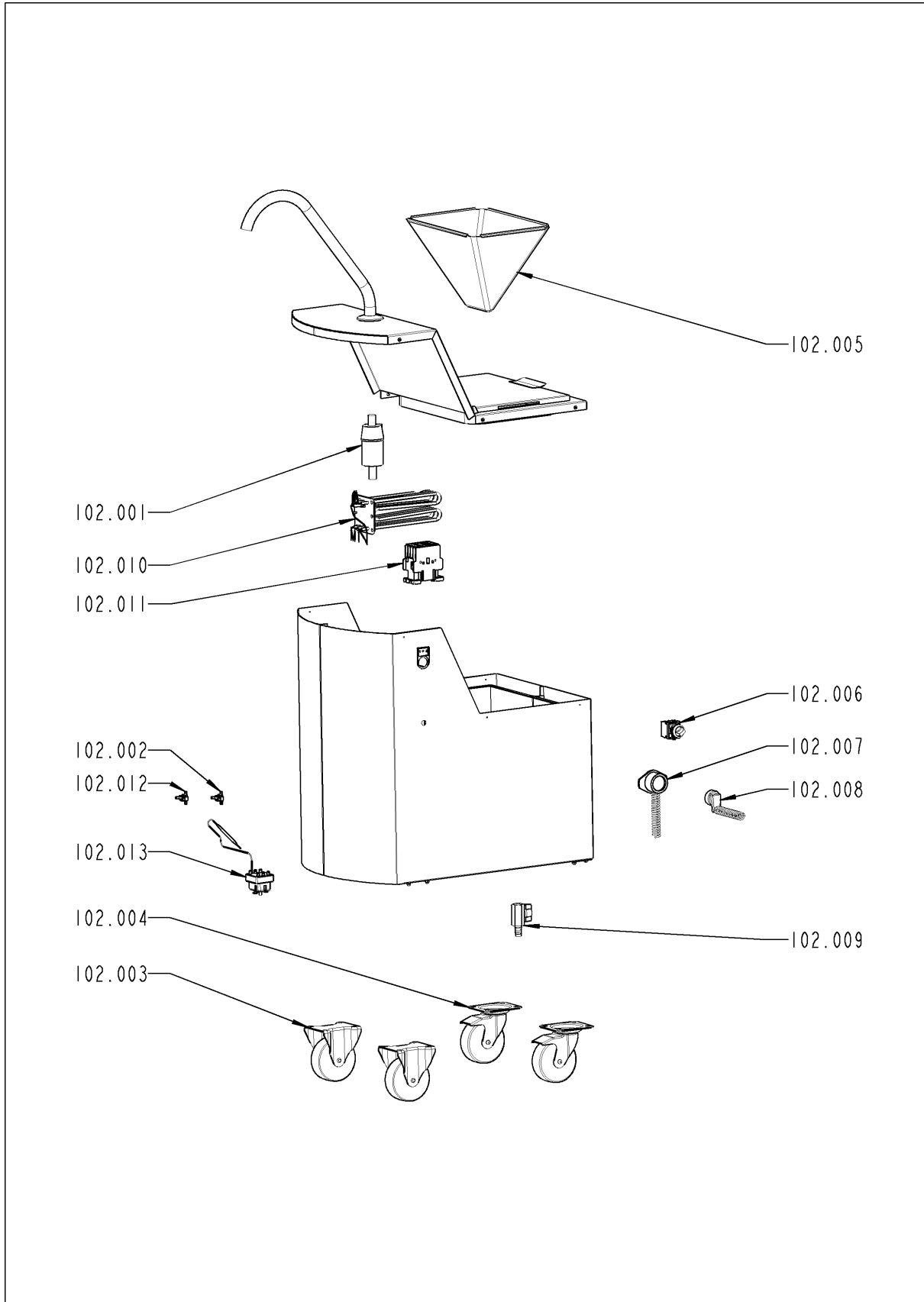
Oil trolley with heating system



Oil trolley with heating system

Pos.	Part No.	Description	Qty.
102.100		Oil trolley with heating system as of 01/2005 up to 03/2009	1
102.200		Oil trolley with heating system as of 04/2009	1

Oil trolley with heating system as of 01/2005 up to



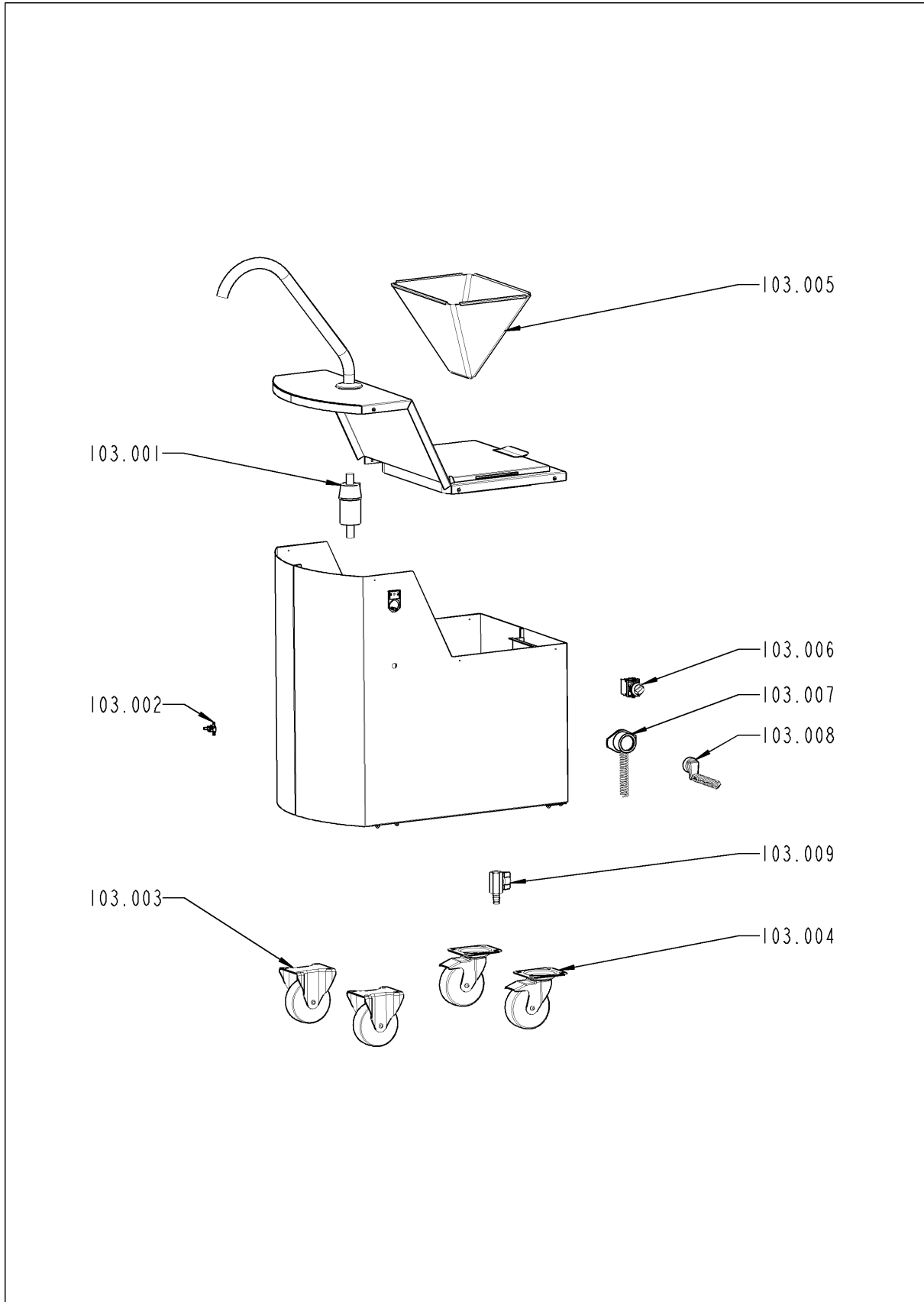
Oil trolley with heating system as of 01/2005 up to

Pos.	Part No.	Description	Qty.
102.001	87.00.192	Pump for oil collector	1
102.002	87.00.246	Thermostat 75°C Pump oil trolley	1
102.003	60.70.626	Castor without brake	2
102.004	60.70.627	Castor with brake	2
102.005	60.71.599	Oil filter	1
102.006	82.00.269	3 Position switch complete	1
102.007	82.00.264	Support of socket-outlet	1
102.008	82.00.263	Spiral cable	1
102.009	82.00.271	Drain valve	1
102.010	87.00.237	Heat element oil trolley VCC	1
102.011	87.00.282	Contactator	1
102.012	87.00.245	Thermostat 50°C heating Oil carriage	1
102.013	40.02.337	Safety temperature limiter 215°C	1

Oil trolley with heating system as of 04/2009

Pos.	Part No.	Description	Qty.
102.201	82.00.247	Kit filling pipe	1
102.202	82.00.240	O-ring 34x3	1
102.203	82.00.232	Handle	2
102.204	82.00.246	Suction pipe complete	1
102.205	82.00.268	Hex nipple M3/8"-F1/4"	1
102.206	82.00.235	Kit pump	1
102.207	82.00.243	Hex double nipple G 3/8"	2
102.208	82.00.250	End plate for mounting rail	2
102.209	82.00.254	Timing relay	1
102.210	40.02.917	Contactor 3TG1010-2AK2	1
102.211	82.00.248	Terminal block 4mm ²	1
102.212	82.00.249	Terminal block 4mm ² blue	1
102.213	4001.0226	Fuse 6.35x32mm	2
102.214	82.00.251	Fuse holder	2
102.215	40.02.337	Safety temperature limiter 215°C	1
102.216	20.01.089	Insulating plate (Mica) for heating element	2
102.217	82.00.265	Kit heating element	1
102.218	82.00.261	Klixon 240°	2
102.219	82.00.230	Castor without brake	2
102.220	82.00.231	Castor with brake	2
102.221	1105.0121	Hex combination nut M5 galv	16
102.222	82.00.255	Selector 2 positions lighted	1
102.223	82.00.257	Adaptator for contact element	1
102.224	82.00.259	Contact NC	1
102.225	82.00.258	Contact NO	2
102.226	82.00.260	Blue Led indicator	1
102.227	82.00.256	Selector 3 positions spring return	1
102.228	82.00.257	Adaptator for contact element	1
102.229	82.00.259	Contact NC	1
102.230	82.00.258	Contact NO	1
102.231	82.00.263	Spiral cable	1
102.232	82.00.264	Support of socket-outlet	1
102.233	60.71.850	Support of oil filter	1
102.234	60.71.599	Oil filter	1

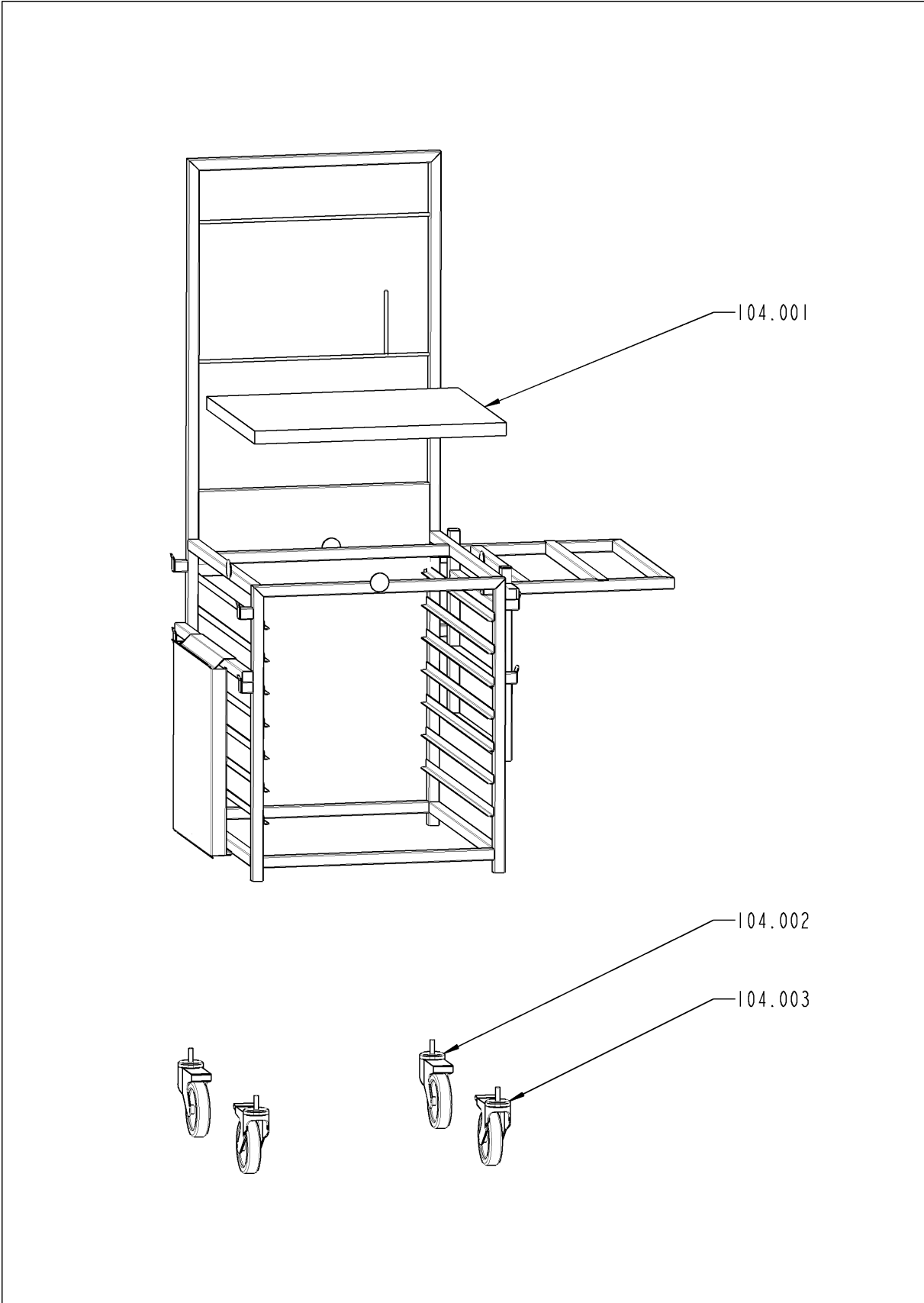
Oil trolley



Oil trolley

Pos.	Part No.	Description	Qty.
103.001	87.00.192	Pump for oil collector	1
103.002	87.00.246	Thermostat 75°C Pump oil trolley	1
103.003	60.70.626	Castor without brake	2
103.004	60.70.627	Castor with brake	2
103.005	60.71.599	Oil filter	1
103.006	82.00.270	2 Position switch complete	1
103.007	82.00.264	Support of socket-outlet	1
103.008	82.00.263	Spiral cable	1
103.009	82.00.271	Drain valve	1

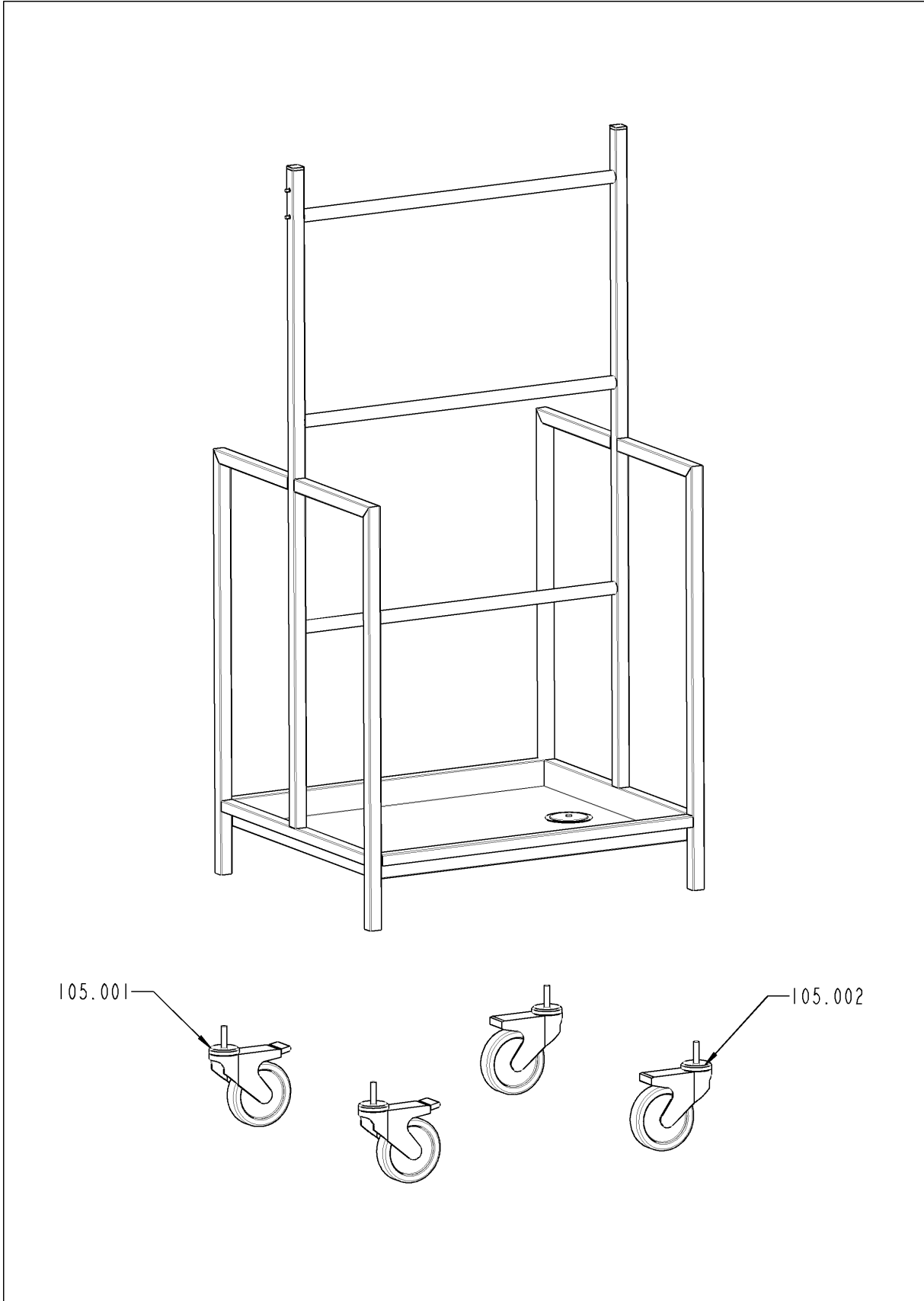
Chef's table



Chef's table

Pos.	Part No.	Description	Qty.
104.001	91.00.023	Plate polyethylene 587x493x30	1
104.002	60.71.147	Castor without brake ø125mm	2
104.003	60.71.146	Castor with brake ø125mm	2

Basket cart



Basket cart

Pos.	Part No.	Description	Qty.
105.001	60.71.146	Castor with brake ø125mm	2
105.002	60.71.147	Castor without brake ø125mm	2

Ultravent

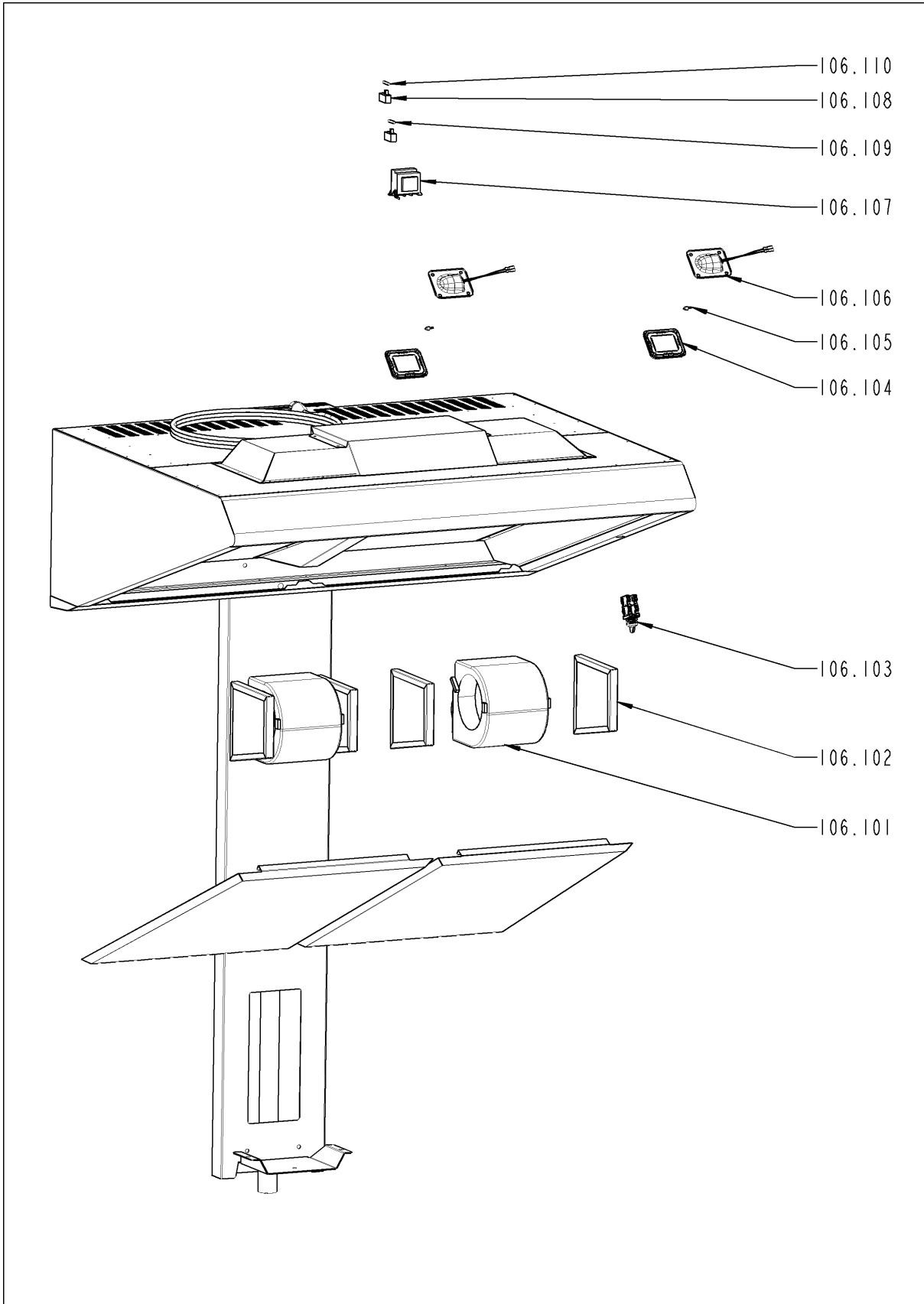




Ultravent

Pos.	Part No.	Description	Qty.
106.100		Ultravent 111-112	1
106.200		Ultravent 211	1

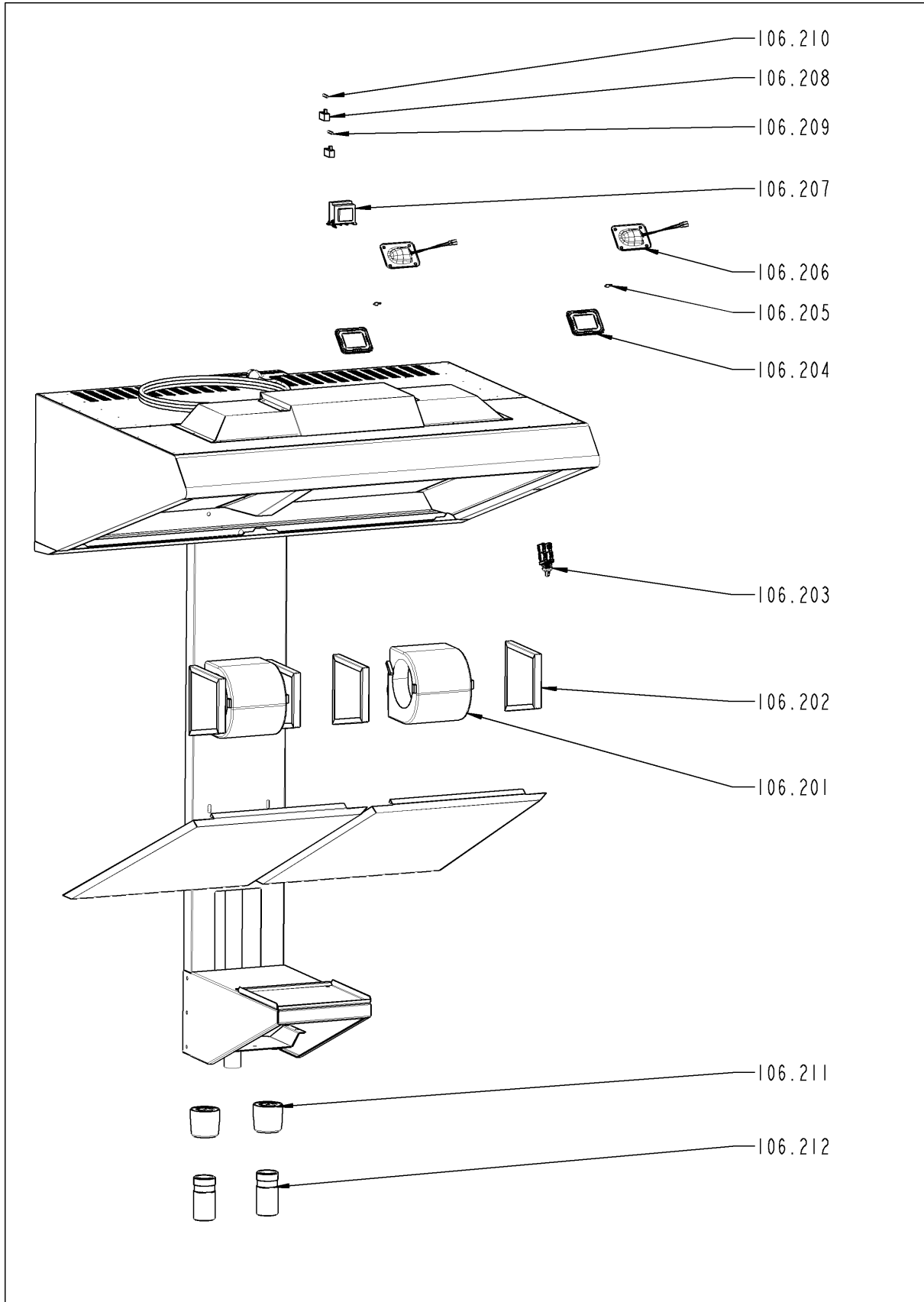
Ultravent 111-112



Ultravent 111-112

Pos.	Part No.	Description	Qty.
106.101	3101.1019	Blower motor for Ultravent	2
106.102	87.00.358	Filter grease for engine	4
106.103	82.00.273	Selector Ultravent	1
106.104	40.00.091	Gasket frame w. glass a. gaskets	2
106.105	3024.0201P	Halogen bulb 300°C	2
106.106	40.00.098	Reflector f. interior light	2
106.107	3037.0204	Halogen transformer	1
106.108	82.00.274	Fuse holder Ultravent	2
106.109	3019.0122	Fuse 5x20mm	1
106.110	3019.0135	Fuse 5x20mm	1

Ultravent 211



Ultravent 211

Pos.	Part No.	Description	Qty.
106.201	3101.1019	Blower motor for Ultravent	2
106.202	87.00.358	Filter grease for engine	4
106.203	82.00.273	Selector Ultravent	1
106.204	40.00.091	Gasket frame w. glass a. gaskets	2
106.205	3024.0201P	Halogen bulb 300°C	2
106.206	40.00.098	Reflector f. interior light	2
106.207	3037.0204	Halogen transformer	1
106.208	82.00.274	Fuse holder Ultravent	2
106.209	3019.0122	Fuse 5x20mm	1
106.210	3019.0135	Fuse 5x20mm	1

Index

Part-no.	Description	Page
82.00.270	2 Position switch complete	65
82.00.269	3 Position switch complete	61
20.01.031	Actuation for pan valve	9, 11
20.01.206	Actuation for pan valve	15
20.01.027	Actuation for pan valve cpl.	15
82.00.257	Adaptator for contact element	63
24.01.175	Adapter regulation pipe steam	45, 49
10.00.610	Allen screw A2 M5X16	53
1004.0663	Allen screw M4x12	15, 31
10.00.606	Allen screw M5x8 A2	9, 11, 35, 45, 51
10.00.844	Allen screw M5x8 Din 912	45, 49
1005.0663	Allen screw M5x10	9, 11
10.00.856	Allen screw M6x8 DIN 912	45, 49
10.00.107	Allen screw M10x30	5
24.01.563	Arm raising lid	41
3028.0560	Auxilliary contact BCLF10 N/O	31
24.01.538	Axis of jack lid	45, 49
16.01.464	Back panel console	35
40.02.409	Barette of junction for block 16mm ²	31
16.01.369	Base plate	5
40.02.854	Beam I/O-FRIMA X117/X118/X119-SSR	33
24.01.208	Bearing shaft lid	41
24.01.209	Bearing shaft lid central complete	41
24.01.221	Bearing shaft pan inside left	5
10.00.845	Bearing with flange Iglidur GFM-2021-20	43, 47
3101.1019	Blower motor for Ultravent	73, 75
82.00.260	Blue Led indicator	63
24.01.394	Blue Lid axis cover	43, 47
20.01.092	Bowden cable	15
24.01.488	Brace hook of locking	43, 47
40.03.117	Bundle X11-X12/X26 with micro-switch	33
10.00.676	Bundle-clip	31

Index

Part-no.	Description	Page
40.00.472	Bus cable 1.3m	33
54.00.582	Bushing PP D40/D20	29
54.00.581	Bushing PP D40/D30-32	29
54.00.593	Bushing PP D50/D40	29
24.01.489	Butted of fixing of jack	45, 49
40.02.087	Buzzer	53
10.00.111	Cable clip long	5, 31
40.01.898	Cable I/O A4 pcb X120	33
40.02.802	Cable RJ45 0.2m	33
40.02.281	Cable safety chain pressure	33
40.02.242	Cable X1 X46 112	33
40.02.785	Cable X11/X12 position right lid	33
40.02.786	Cable X13-X126	33
40.02.753	Cable X14	33
40.02.782	Cable X16 lid lock right	33
40.02.784	Cable X18 sol valve decompression	33
40.02.262	Cable X19 left	33
40.02.249	Cable X24 left	33
40.02.778	Cable X130 jack lid lock left	33
24.00.791	Cap of shaft lid	41
60.70.627	Castor with brake	61, 65
82.00.231	Castor with brake	63
60.60.667	Castor with brake ø125mm	57
60.71.146	Castor with brake ø125mm	67, 69
60.70.626	Castor without brake	61, 65
82.00.230	Castor without brake	63
60.60.666	Castor without brake ø125mm	57
60.71.147	Castor without brake ø125mm	67, 69
12.00.624	Chassis	5
50.00.156	Clamp f. hand shower roll guide	21
20.01.033	Collar	13, 41
22.00.508	Connecting nipple 112-311P	25, 27

Index

Part-no.	Description	Page
82.00.259	Contact NC	63
82.00.258	Contact NO	63
87.00.282	Contacteur	61
40.02.917	Contacteur 3TG1010-2AK2	63
40.00.805	Contacteur CL25A300T6-M	31
40.03.648	Control harness	33
16.01.431	Control panel w/o Vitro 112	53
42.00.002V	Control pcb	53
40.00.277	Control transformer	31
3101.1008	Cooling fan	31
24.01.329	Core sensor nut	45, 49
16.00.329	Cover f. USB interface	35
24.01.330	Cover for pressure connection	45, 49
24.01.357	Cover handle blue	43, 47
16.00.232	Dial f. pulse generator blue	53
40.01.255	Differential switch	31
10.00.672	Disc IGUS 112-311	15
40.01.996	Distance bush PA d12/5x7.2	53
40.02.015	Distance nut PA H10 x 4.3 D.8MM	31
50.00.642	Double solenoid valve (connector color green/brown)	19
50.01.611	Drain hose pan left 112	11
50.00.628	Drain hose pan right 112	9
82.00.271	Drain valve	61, 65
12.00.635	Drip collector	5
12.00.648	Drip collector	5
40.02.872	Earth terminal 10mm ² yellow/green	31
10.00.103	EJOT PT-screw KA 3.5x10	35
10.00.460	EJOT PT-Screw Torx 3,5x14	35
10.00.239	EJOT PT-Screw Torx 4x10	45, 49
54.00.790	Elbow fitting 3/8" - Ø10	25
54.00.573	Elbow-pipe PP DN40 67.5°	29
54.00.575	Elbow-pipe PP DN40 87.5°	29

Index

Part-no.	Description	Page
54.00.562	Elbow-pipe PP DN50 45°	29
40.02.471	Electronic noise filter	31
40.00.764	End plate for mounting rail	31
82.00.250	End plate for mounting rail	63
87.00.165	External memory flashed	53
87.00.358	Filter grease for engine	73, 75
50.00.655	Fitting F1/4 D9	25
12.00.688	Fixing angle cpl. 112	5
40.02.047	Fixing clip white p/1.6mm	31
2020.0400	Fixing device for cable harness	53
40.01.967	Fixing device for SSR	31
20.01.061	Fixing plate lever pan	13
10.00.842	Flange Bearing GFL-16	45, 49
16.01.467	Front panel console cpl.	35
3019.0122	Fuse 5x20mm	73, 75
3019.0135	Fuse 5x20mm	73, 75
40.02.877	Fuse 6.3 X 32mm 13A	33
40.02.144	Fuse 6.32 X 32mm 10A	33
4001.0224	Fuse 6.35x32mm	33
4001.0226	Fuse 6.35x32mm	33, 63
40.01.941	Fuse 6.35x32mm 8A	33
82.00.251	Fuse holder	63
40.02.099	Fuse holder 1003SI	31
4001.1295	Fuse holder e 1003Si/1DS	31
82.00.274	Fuse holder Ultravent	73, 75
24.01.539	Gas-filled support 800N	41
50.00.297	Gasket f. tulip	21
5110.1024	Gasket for G3/4" threaded joint	19, 25
20.00.992	Gasket for plug pan valve	9, 11
40.00.091	Gasket frame w. glass a. gaskets	73, 75
50.00.659	Gasket Tesnit 3/8"	19
50.00.599	Gasket TESNIT 20x12x2 1/2"	19, 25

Index

Part-no.	Description	Page
20.00.987	Graphit plate for Bimetall switch	9, 11
20.00.710	Graphit plate for heating element 1400W	9, 11
24.01.483	Guide clamp jack lid	45, 49
3024.0201P	Halogen bulb 300°C	73, 75
3037.0204	Halogen transformer	73, 75
50.00.590	Hand shower blue	21
50.00.799	Hand shower roll guide VCC	21
82.00.232	Handle	63
87.00.237	Heat element oil trolley VCC	61
40.02.398	Heating element 1400W (screwed contact)	9, 11
82.00.268	Hex nipple M3/8"-F1/4"	63
1105.0121	Hex combination nut M5 galv	5, 9, 11, 15, 33, 35, 63
1106.0803	Hex combination nut M6 galv	5, 9, 11
10.00.607	Hex combination nut M8	5, 7, 21, 31, 41
82.00.243	Hex double nipple G 3/8"	63
1104.0120	Hex nut M4	9, 11, 31
1104.0121	Hex nut M4 self locking	15, 31, 53
1105.0120	Hex nut M5	5, 9, 11
1108.0260	Hex nut M8	7
1112.0220	Hex nut M12 flat	45, 49
10.00.846	Hex nut self-locking M5 Din 985	45, 49
10.00.144	Hex screw 3X16 stainless steel A2	33
1006.0760	Hex screw M6x16	13, 25, 29, 31, 33
10.00.596	Hex screw M6x50 A2	41
1008.0763	Hex screw M8x20	21
10.00.611	Hex socket head cap screw A2 M3X20	33
10.00.633	Hex socket head cap screw M5X45	41
10.00.595	Hex socket set screw cup point A2 M6X6	41
10.00.452	Hex socket set screw cup point A2 M4X4	13, 41
10.00.858	Hex socket set screw M5x5 Din 913	45, 49
1004.0905	Hex socket set screw M5x6	41

Index

Part-no.	Description	Page
24.01.494	Hinge Cover for lid	49
24.01.500	Hinge Cover of right lid	45
24.01.507	Hook of basket	45, 49
24.01.396	Hook of Locking left	43, 47
24.01.395	Hook of Locking left	43, 47
50.00.348	Hose clamp 12.22 L9	19
2066.0522	Hose clamp 31,3 mm	9, 11
10.00.648	Hose clamp d.20.2	45, 49
10.00.656	Hose clamp D9.1	27
2066.0533	Hose clamp ø10.1	27, 45, 49
2066.0527	Hose clamp ø14mm	25, 45, 49
2066.0530	Hose clamp ø16.4mm	19, 25, 27, 45, 49
10.00.814	Hose clamp Ø25.2	21
2066.0531	Hose clamp ø56	21
50.00.748	Hose EPDM 15x22 120°	21, 25
20.01.089	Insulating plate (Mica) for heating element	9, 11, 63
40.00.470	Interface cable USB 1.5m	35
20.00.689	Key toppling ppan/lid	41
82.00.247	Kit filling pipe	63
82.00.265	Kit heating element	63
82.00.235	Kit pump	63
82.00.261	Klixon 240°	63
20.01.068	Left pan shaft	13
24.01.491	Left protection of hook	43, 47
24.01.474	Lid cover left	49
24.01.499	Lid cover right	45
24.01.504	Lid gasket left	49
24.01.503	Lid gasket right	45
24.01.406	Lid left complete	47
24.01.388	Lid locking cylinder	45, 49
24.01.405	Lid right complete	43
20.01.059	Lift arm for pan	13

Index

Part-no.	Description	Page
40.01.708	Lifting cylinder for left pan	13
24.00.803	Lifting cylinder for lid	41
40.01.972	Lifting cylinder for right pan	13
10.00.187	Lock washer AZ 4	9, 11, 31
50.00.086	Locking plate f. water distribution	19
20.00.716	Locking roller pan	9, 11
24.01.497	Locking shaft complete	45, 49
12.00.224	Lower part of pedestal 110mm	5
24.00.769	Magnet for lid (core temperature)	45, 49
24.01.300	Meat probe sensor	45, 49
12.00.598	Micro switch holder lid position	33
20.00.983	Mounting device for Bimetall switch	9, 11
46.00.123	Mounting device thermocouple for heating element	9, 11
42.00.049	Mounting support for pressure sensor	25
50.00.078	Non return valve DW16/DN12	19
10.00.225	Nut 3/8"	45, 49
10.00.854	O-ring 15x1,5	45, 49
20.00.680	O-ring 21x 1.5 EPDM	45, 49
20.00.879	O-ring 25X1.5 EPDM	45, 49
82.00.240	O-ring 34x3	63
10.00.675	O-ring f. pan valve 17.3 x 2.4	9, 11
40.02.014	O-ring NITRILE D16	25
60.71.599	Oil filter	61, 63, 65
1008.0769	Ornamental screw M8x30	41
16.01.169	Overlay VCC/E *Rational* 112-311	53
10.00.507	Pan head screw Torx 5/16" T20	31
20.01.071	Pan left	11
16.00.856	Pan left front panel assembly	11
20.01.054	Pan right	9
16.00.855	Pan right front panel assembly	9
20.01.056	Pan shaft right	13
54.00.598	Pipe clamp D40	29

Index

Part-no.	Description	Page
50.00.808	Pipe PP L50mm Ø40	21
12.00.709	Plate hides foot right and left	35
91.00.023	Plate polyethylene 587x493x30	67
20.00.970	Plug for pan valve	9, 11
50.00.085	Plug-in spring f. hand shower roll guide	19
40.02.751	Power harness K1 input	33
40.02.754	Power harness K1 output 112	33
2067.0050	Pressure hose d10mm	19
40.02.048	Pressure sensor	27
40.02.348	Pressure sensor left	25
40.02.347	Pressure sensor right	25
40.00.750	Pressure switch 200mbar	27
40.00.404	Pulse generator	53
87.00.192	Pump for oil collector	61, 65
54.00.606	Quenching box copact	29
10.00.847	Raised countersunk allen screw M6x30	43, 47
10.00.848	Raised countersunk allen screw M6x30	43, 47
10.00.444	Raised countersunk head screw Torx M4x8	31
50.00.653	Reducing nipple 1/2 - 3/8	19
54.00.846	Reducing nipple 1/2" f - 3/8" m	25
50.00.658	Reducing nipple 3/4 - 1/2	19
50.00.654	Reducing nipple 3/4 - 3/8	19
40.00.098	Reflector f. interior light	73, 75
42.00.054	Relay-I/O pcb	31
42.00.039	Relay-I/O pcb A4	31
20.01.036	Rest for motor, pan valve	15
24.01.490	Right protection of hook	43, 47
20.01.062	Ring friction pan shaft	13
20.00.715	Ring MB DU 12/12	9, 11
24.01.492	Ring Teflon of the axis locking lid	43, 47
40.02.337	Safety temperature limiter 215°C	9, 11, 61, 63
1251.1000	Safety washer ø5mm	15

Index

Part-no.	Description	Page
10.00.954	Scew 4x18	31
40.02.594	Screwed cable gland PG 29	5
10.00.747	Securing device for bolt d=12	13
82.00.255	Selector 2 positions lighted	63
82.00.256	Selector 3 positions spring return	63
82.00.273	Selector Ultravent	73, 75
10.00.188	Serrated lock washer A5.1	5, 9, 11
24.00.760	Shaft hoist swing shaft	13
24.00.793	Shaft jack raising lid	41
20.00.905	Sheath for pan valve	9, 11
12.00.617	Shower roll guide holder	21
16.01.366	Side panel left console	35
16.00.848	Side panel left for pan	11
16.01.370	Side panel right for console	35
16.00.859	Side panel right for pan	9
24.01.232	Silicone hose 6x9	27, 45, 49
24.01.231	Silicone hose 16/20	25
50.00.568	Silicone hose DIAM out. 14mm ins. 8mm	25, 27, 45, 49
50.00.139	Single solenoid valve	19
10.00.597	Slot counter head secur screw A2 M5X10	9, 11
10.00.843	Slotted pan head screw M5x14 DIN 912	45, 49
10.00.150	Slotted pan head screw M6/12 A2	35
10.00.677	Snap on cap f. bundle-clip	31
40.02.096	Socket 2P+T 10A (CH)	35
40.02.098	Socket 2P+T 13A (GB)	35
40.01.409	Socket 2P+T 16A (France)	35
40.01.410	Socket 2P+T 16A (Germany)	35
40.02.097	Socket 2P+T 16A (IT)	35
87.00.196	Socket cover for tulip blue	37
40.02.517	Solenoid valve 3/8" NO 112P Diam 5.2	25
40.01.589	Solid state relais	31
82.00.263	Spiral cable	61, 63, 65

Index

Part-no.	Description	Page
50.00.617	Spring f. hose, water filling	45, 49
50.00.639	Square seal	5
1107.0101	Star lock ø5	35
24.00.889	Stop ring	41
10.00.781	Straight pin ISO2338 A2 3m6x20	15
82.00.246	Suction pipe complete	63
60.71.850	Support of oil filter	63
82.00.264	Support of socket-outlet	61, 63, 65
20.01.069	Switching cam f. pan drain valve	15
44.00.749	T-fitting plastic DN6	27
50.00.612	T-fitting plastic TS16	25
2062.0302	T-fitting TS10	25
8664.1301	T-fitting water connection	19
82.00.248	Terminal block 4mm ²	63
82.00.249	Terminal block 4mm ² blue	63
4001.1250	Terminal block 16mm ² blue	31
87.00.339	Thermocouple for heating element	9, 11
20.00.853	Thermocouple pan left	11
20.00.854	Thermocouple pan right	9
87.00.245	Thermostat 50°C heating Oil carriage	61
87.00.246	Thermostat 75°C Pump oil trolley	61, 65
12.00.603	Thermostat and fuse holder complete	31
54.00.536	Threaded connection 3/4" 1/2" revolving nut	25
82.00.254	Timing relay	63
40.01.712	Transformer	33
54.00.584	Tube 200mm Ø50 to square 50x50	29
10.00.652	Tube for drip collector fixation	41
16.01.179	Tulip cpl.blue RAL5008	35
12.00.205	Upper part of pedestal	5
10.00.872	Washer 16,2x24x1,5	49
1306.0218	Washer A4,3	53
1308.0161	Washer A8,4	7

Index

Part-no.	Description	Page
1310.0160	Washer A10,5	5
10.00.186	Washer broad LL6	5, 31
10.00.805	Washer M6 x 1.2 A2	9, 11, 15
10.00.423	Washer M12 A2	25
20.00.975	Washer maintenance roller bolt	9, 11
10.00.802	Washer Ø50mm for heating element	9, 11
50.00.072	Water distribution vert roll guide con.	19
1900.0202	Water filter	19
50.00.713	Water nozzle	45, 49
40.02.349	Water volume sensor with wire	19
46.00.118	Wiring harness, heating elements, pan left	7
46.00.119	Wiring harness, heating elements, pan right	7
42.00.052	X relay pcb	31
54.00.589	Y PP DN40 45°	29
54.00.571	Y PP DN40 87°	29
54.00.608	Y-fitting PP DN 50 45°	29

