



First Choice Group

SPARE PARTS DIAGRAM FOR



Holding Cabinet

1200DW / 122G / 1300G / 1900DW /
1900DWT / 1900G / 2100DW /
3000P / 6000P



First Choice Group
Blakeney Way, Kingswood Lakeside
Cannock, Staffs, WS11 8LD
TEL: 01543 577778 FAX: 01543504141
Email: enquires@firstchoice-cs.co.uk
Web: www.firstchoice-cs.co.uk



INTERNATIONAL ILLUSTRATED PARTS LIST



MODELS

1200DW	1900DW	2100DW
1200G	1900DWDT	3000P
1300G	1900G	6000P

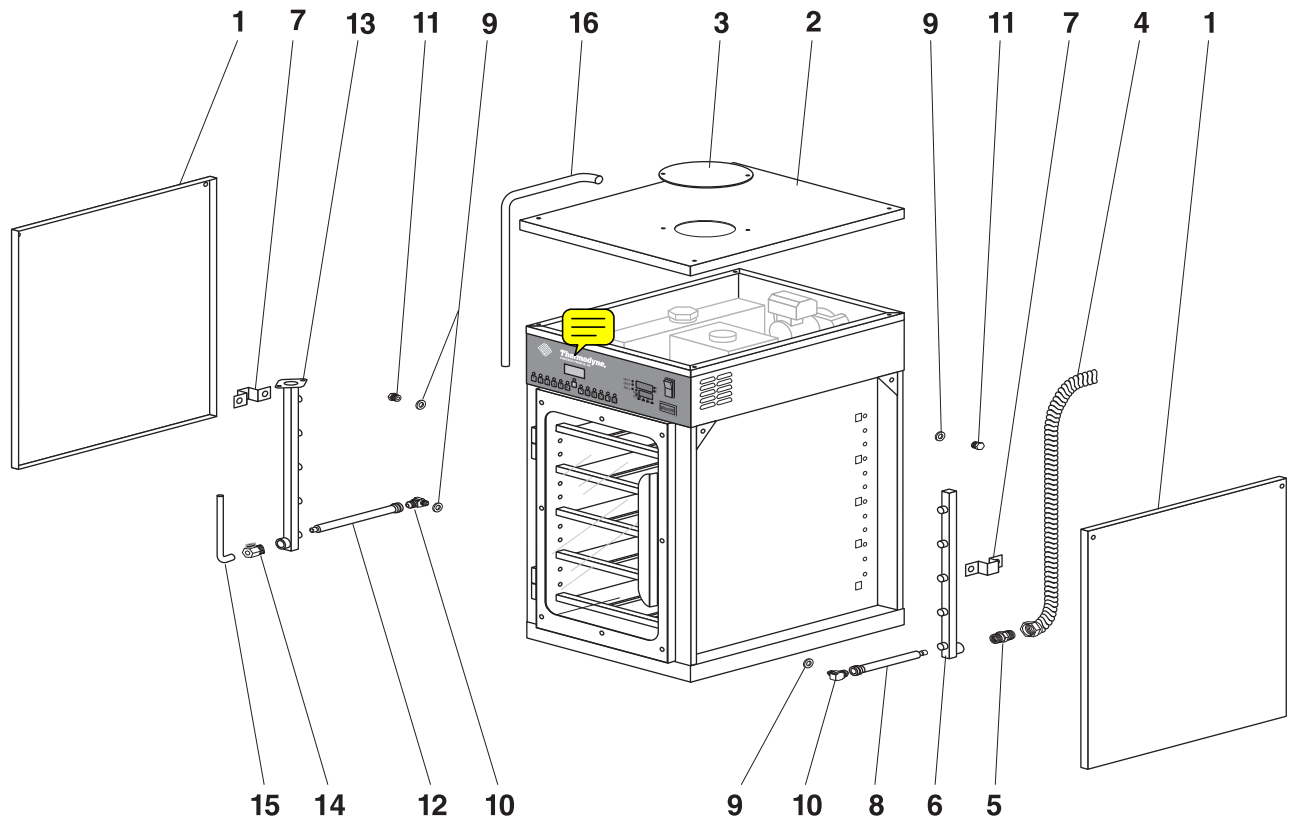
Thermodyne Foodservice Products, Inc.
4418 New Haven Avenue
Fort Wayne, IN 46803

1-800-526-9182
www.tdyne.com

MAIN CABINET COMPONENTS

ITEM	PART NO.	DESCRIPTION	QTY
1	21210	Outside Wall – 20ga SS – Insulated - 1200G	2
	21315	Outside Wall – 20ga SS – Insulated – 1300G	
	21260	Outside Wall – 20ga SS – Insulated – 1200DW	
	29180	Outside Wall – 20ga SS – Insulated – 1900DW	
	21201	Outside Wall – 20ga SS – Insulated – 2100DW	
	21910	Outside Wall - 20ga SS - Insulated - 1900G	
	60430	Outside Wall - 20ga SS - Insulated - 3000P, 6000P	
2	11255	Power Head Lid – 20ga SS – 1200G, 1900G, 1300G	1
	29120	Power Head Lid – 20ga SS – 1200DW & 1900DW	
	21130	Power Head Lid – 20ga SS – 2100DW	
	61110	Power Head Lid – 20ga SS – 3000P	
	60110	Power Head Lid - 20ga SS - 6000P	
3	10115	Fill Cap Cover – 20GA SS	1
4	90715	Delivery Line – 18" SS Dormont Hose – 1900DWDT	1
	91360	Delivery Line – 36" SS Dormont Hose – 1900DWDT	
	91375	Delivery Line – 48" SS Dormont Hose – 1200G, 1200DW	
	91415	Delivery Line – 60" SS Dormont Hose – 1900G, 1300G, 1900DW	
	91495	Delivery Line – 72" SS Dormont Hose – 2100DW, 3000 & 6000P	
	91497	Delivery Line – 84" SS Dormont Hose – 1900DWDT	
5	90658	.75 NPT - .5 Propane Nipple	1
6	31600	Delivery Manifold – 1300G	1
	21224	Delivery Manifold – 1200G, 1200DW, 1900DWDT (QTY 2)	
	21932	Delivery Manifold - 1900G, 1900DW	
	21930	Delivery Manifold – 2100DW	
	60435	Delivery Manifold – 3000 & 6000P	
7	10190	Manifold Bracket	2
8	91321	Short Teflon Hose	A/R
9	91185	Teflon Washers	A/R
10	91335	Shelf Elbows	A/R
11	90445	Shelf Plug & Manifold Plug	A/R
12	91322	Long Teflon Hose	A/R
13	31605	Return Manifold – 1300G	1
	21225	Return Manifold – 1200G & 1200DW, 1900DWDT (QTY 2)	
	21933	Return Manifold – 1900G & 1900DW	
	21935	Return Manifold - 2100DW	
	60440	Return Manifold – 3000 & 6000P	
14	91290	.375 ON/OFF Valve – Drain Tube	1
15	90324	Drain Tube	1
16	90167	Overflow Tube from Reservoir Tank	1
Not Shown	90775	Return Line Gasket	1
Not Shown	91498	1900DWDT Short Return Manifold	2

MAIN CABINET EXPLODED VIEW



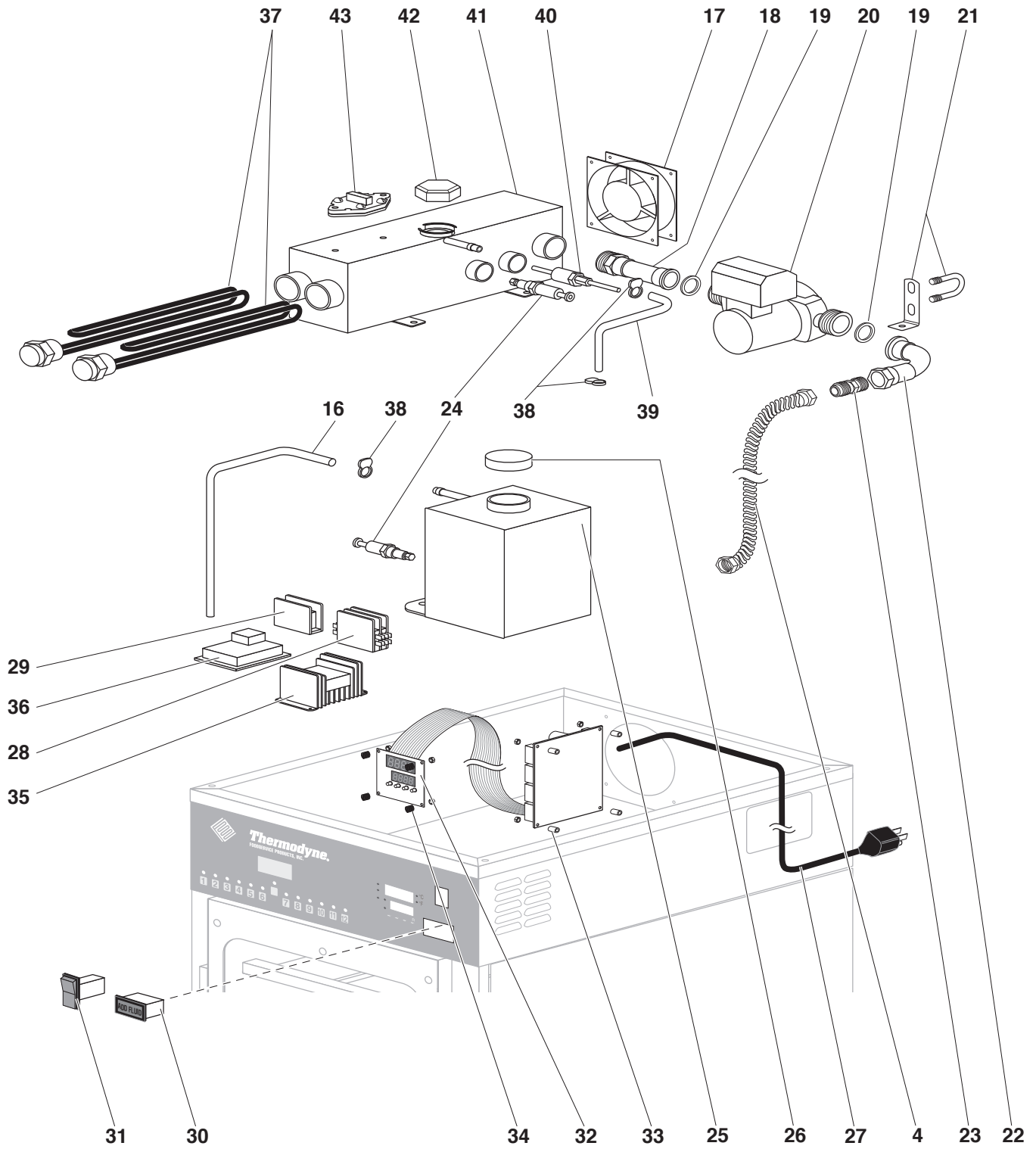
Exploded View (Model 300 shown)

POWER HEAD COMPONENTS

ITEM	PART NO.	DESCRIPTION	QTY
17	90872	230VAC Cooling Fan	1
18	90629 90632	Heater Tank to Pump Copper Extension Union Heater Tank to Pump Copper Extension Union	1
19	90659	Pump Gasket	2
20	90670	230VAC 50Hz Pump	1
21	90675	Pump Bracket & U-Bolt`	1
22	90631 *90630	Pump to Delivery Line Extension with 90° Union Pump to Delivery Line Extension with 90° Union	1
23	90658	3/4 SAE Nipple	1
24	91535	Auburn Fluid Level Probes	2
25	13400	Reservoir Tank	1
26	91140	Reservoir Tank Cap – SS	1
27	91120 90916	230VAC 14/3 Power Cord with Molded Plug 208-240VAC 10/4 Power Cord with Molded Plug	1
28	91158 *91219	240 – 240 VAC Contactor 3-Pole 480V Contactor with 240V Coil	1
29	90295 *90545	Electrical Filter Single Pole Neutral Block	1
30	91510	240VAC Add Fluid Light	1
31	90780	Rocker Switch	1
32	90585 90588	3-Button Controller – 9300 (Pre 2013 Controller) Temperature Controller – B41	1
33	91707	Plastic Spacer	4
34	91709	Spring	4
35	90889 *90910	Solid State Relay 480V Solid State Relay (Qty 2)	1
36	90871	230VAC Float Board	1
37	90810 *90816 90830	120VAC 1500W Heaters 480V Solid State Relay (Qty 2) 240VAC, 3500W Heaters	A/R
38	90178	Black Kwik Clamps for Silicon Hose	3
39	90167	Heater Tank to Reservoir Tank Overflow Tube	1
40	91191	Thermocouple	1
41	12500 *90475	Heater Tank (90434 Assembled) 3-Phase 480V Assembled Heater Tank	1
42	90705	16 PSI Pressure Cap	1
43	90865	Snap Disc	1
Not Shown	91525	Add Fluid Light Cover	1
Not Shown	90316	Thermocouple Compression Fitting	1
Not Shown	90395	Heat Transfer Fluid	A/R

* 3 Phase Units only

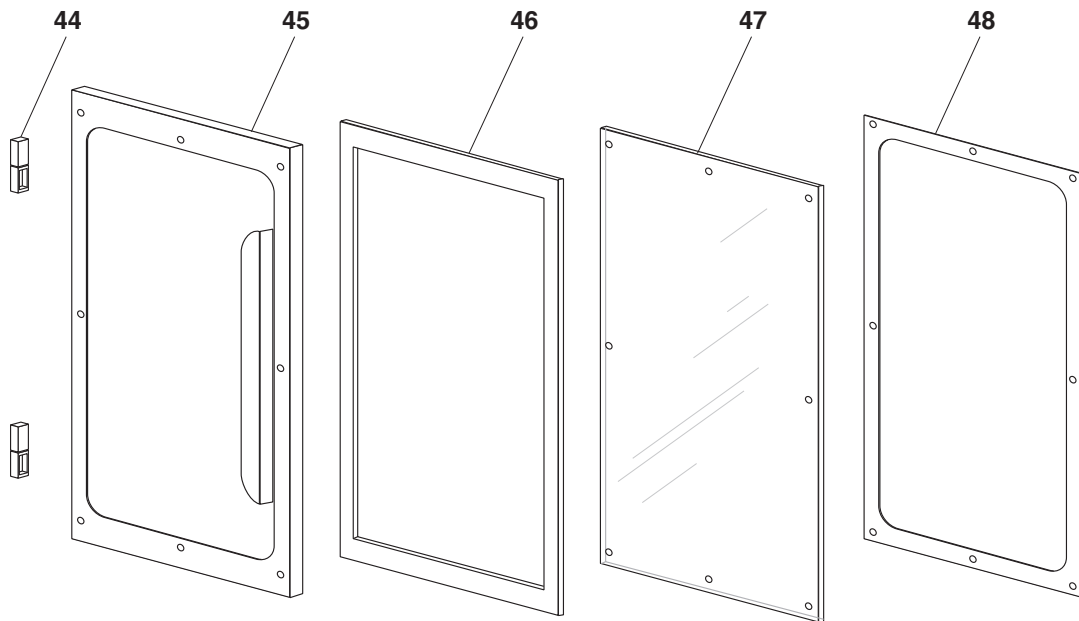
POWER HEAD EXPLODED VIEW



Power Head Exploded View (Model 300 shown)

CT, DW & P MODEL DOOR COMPONENTS

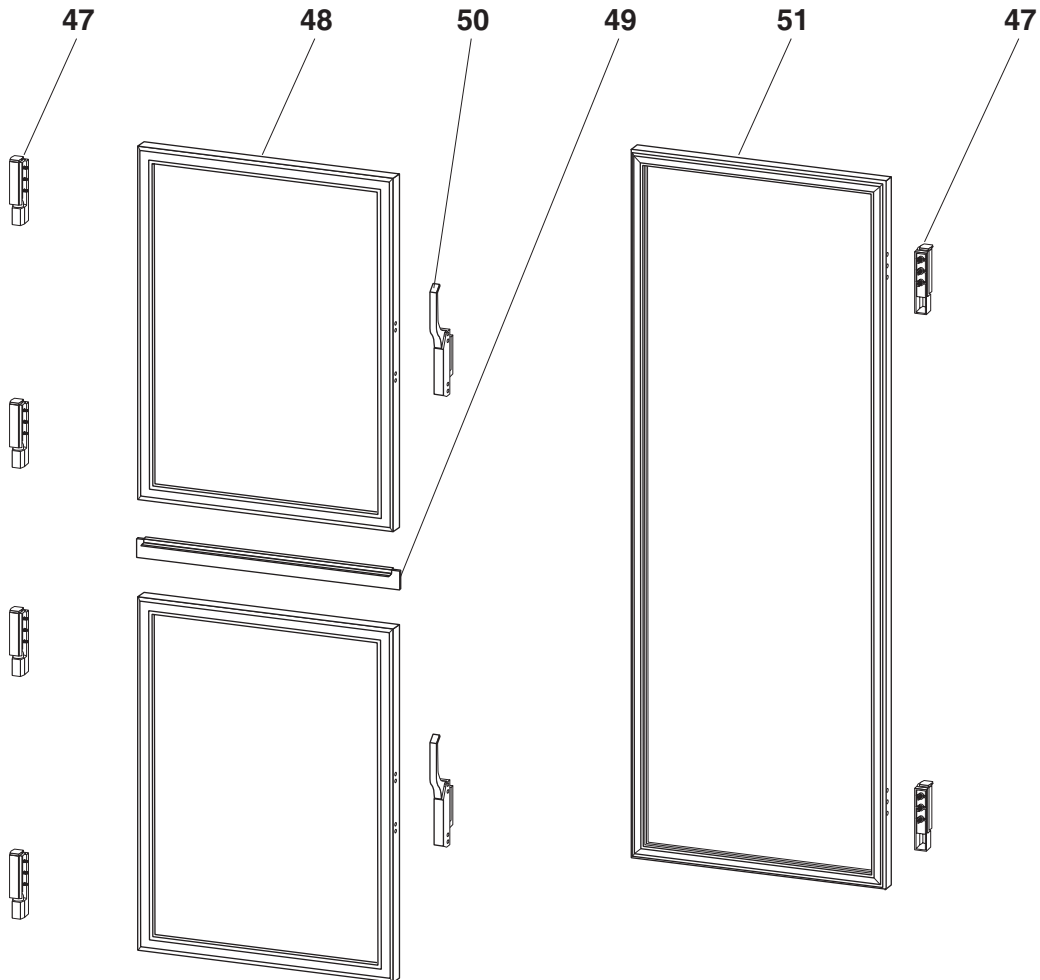
ITEM	PART NO.	DESCRIPTION	QTY
42	90485	Lift Off Hinge – CT Style Male & Female as Set	A/R
43	29240-1 21230-1 69344-1 69345-1 69242-1 69243-1	Outside Door Skin – 1200 & 1900DW Outside Door Skin – 2100DW Top Outside Door Skin – 3000P Bottom Outside Door Skin – 3000P Top Outside Door Skin – 6000P Bottom Outside Door Skin – 6000P	A/R
44	90261 90262 90263	Door Gasket – 1200 & 1900DW Door Gasket – 3000 & 6000P Door Gasket – 2100DW	A/R
45	90385 90386 90387 90388 90389 90393	Door Glass – 1200 & 1900DW Top Door Glass – 3000P Bottom Door Glass – 3000P Top Door Glass – 6000P Bottom Door Glass – 6000P Door Glass – 700CT & 1200DW	A/R
46	19240-2 21230-2 69344-2 69345-2 69242-2 69243-2	Inside Door Skin – 1200 & 1900DW Inside Door Skin – 2100DW Top Inside Door Skin – 3000P Bottom Inside Door Skin – 3000P Top Inside Door Skin – 6000P Bottom Inside Door Skin – 6000P	A/R



DW & P Model Door Components

G MODEL DOOR COMPONENTS

ITEM	PART NO.	DESCRIPTION	QTY
47	90285	Door Hinge Bracket, Cover and Plate	A/R
48	90235	Half Size Stainless Steel Door – 1200 & 1900G	2
	90237	Half Size Anthony Door – 1200 & 1900G	
49	90287	Door Sweep – 1200 & 1900G	1
50	90425	Door Handle w/Latch	A/R
51	90296	Full Size Anthony Glass Door – 1300G	A/R
	90297	Full Size Stainless Steel Door – 1300G	
	90298	Full Size Stainless Steel Vented Door – 1300G	
	90242	Full Size Stainless Steel Door – 1900G	
	90243	Full Size Anthony Door – 1900G	



G Model Door Components

