

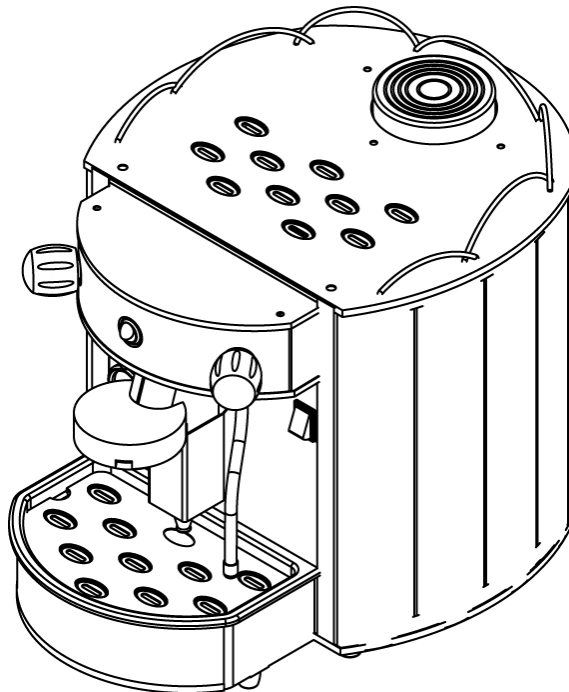


# First Choice Group

SPARE PARTS DIAGRAM FOR

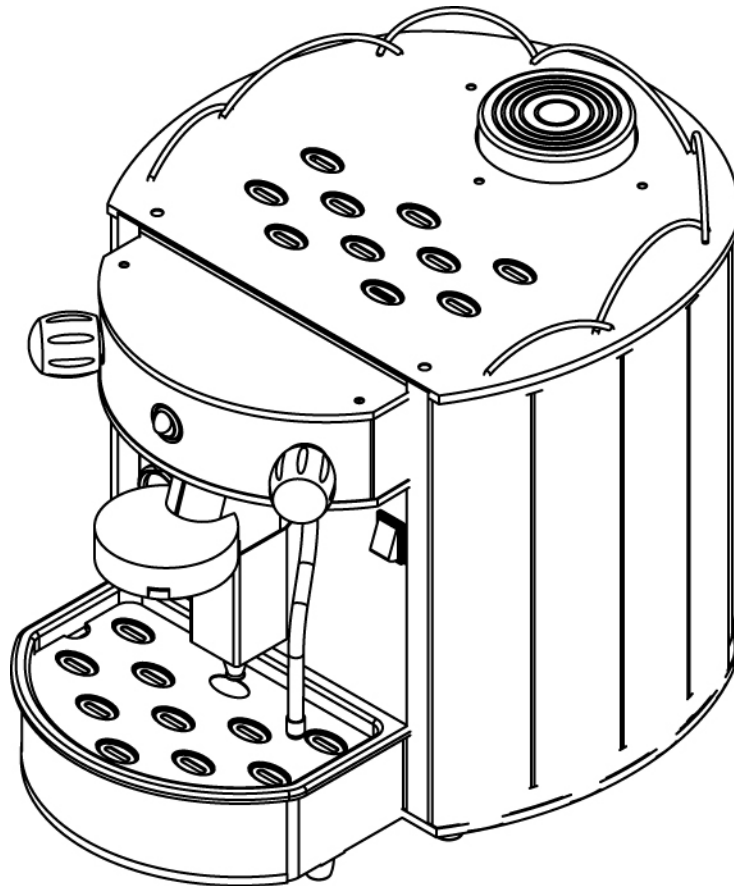


Coffee Machine  
Heavenly



First Choice Group  
Blakeney Way, Kingswood Lakeside  
Cannock, Staffs, WS11 8LD  
TEL: 01543 577778 FAX: 01543504141  
Email: [enquires@firstchoice-cs.co.uk](mailto:enquires@firstchoice-cs.co.uk)  
Web: [www.firstchoice-cs.co.uk](http://www.firstchoice-cs.co.uk)

# HEAVENLY ESPRESSO COFFEE MACHINE PARTS LIST



**Fracino Ltd.  
17-19 Birch Road East  
Birmingham  
B6 7DA**

**Tel: 0121 328 5757  
Fax: 0121 327 3333  
Email: [sales@fracino.co.uk](mailto:sales@fracino.co.uk)**

## Contents

### Page

3-6	Parts List
7	Bodywork
8	Chassis & Internals
9	Boiler
10	Group
11	Filter Holder
12	Manifold Assembly
13	Steam/Water Valve
14	Circuit Diagram

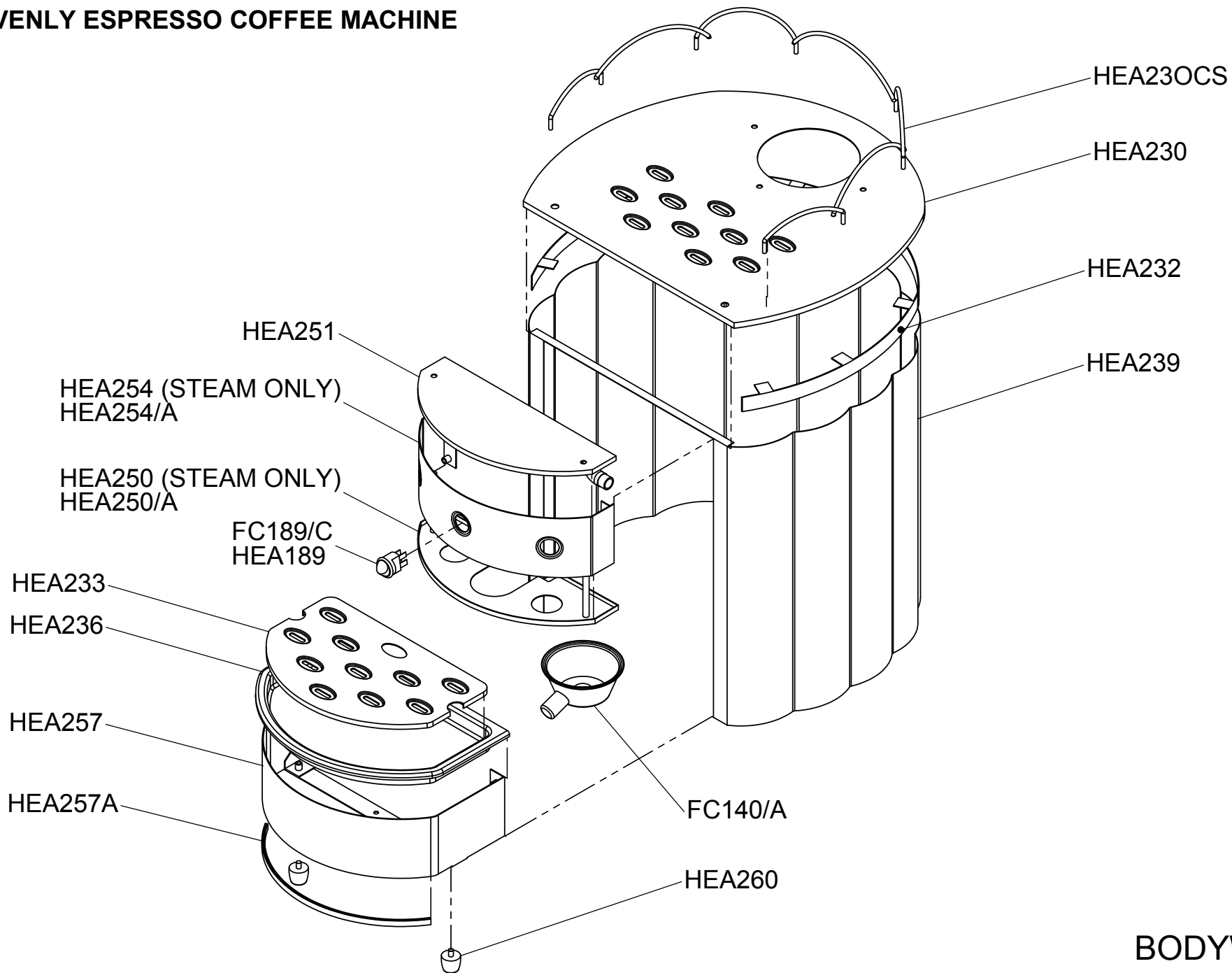
Part No.	Description	Quantity		
	<b>Body Work</b>			
HEA230CS	Cup shield	1		
HEA232	Rim strip	1		
HEA230	Top panel	1		
HEA239	Convuluted body panel	1		
HEA254	Group switch panel (steam only)	1		
HEA254/A	Group switch panel (water & steam)	1		
HEA251	Top switch panel	1		
HEA250	Lower cover switch panel (steam only)	1		
HEA250/A	Lower cover switch panel	1		
HEA189 (early model: FC189/C)	Group switch	1		
HEA233	Inner drip tray	1		
HEA236	Outer drip tray	1		
HEA257	Drip tray support band	1		
HEA257A	Rubber trim drip tray band	1		
HEA260	Heavenly feet	2		
FC140/A	Waste cup	1		
	<b>Chassis</b>			
HEA248	Chassis front panel	1		
HEA222AA	Steam valve (complete)	1		
HEA222B	Hot water valve (complete)	1		
HEA082C	Grommet 30mm	2		
HEA260	Rubber feet	6		
FC190	Neon amber	1		
FC190/R	Neon red	1		
FC100-S	Group complete	1		
HEA179	Pressure gauge	1		
HEA179A	Pressure gauge bracket	1		
HEA151	Pressure gauge to boiler pipe	1		
FC179B	Lock nut	1		
FC189	On/off switch	1		
LG224	Vibration pump	1		
LG224A	Pump rubber grommet	1		
LG226A	Pump mounting bracket	1		
HEA72	Pump fitting plumbed m/c	1		
HEA136	Flexi hose branded s/s	1		
HEA225	1/8 x 1/8 special elbow	1		
HEA172	Electronic water controller	1		
HEA157	Cable gland 90 °	1		
HEA082	Water container	1		
HEA082B	Water container lid	1		
HEA082F	Tube connector water container	2		

Part No.	Description	Quantity		
FC179B	Lock nut 1/8"	2		
HEA082E	Rubber seal	2		
HEA83A	M4 Bolt	1		
HEA82E	'O' Ring	1		
HEA83	6.3 Faston connector	1		
HEA83C	M4 Locknut	1		
		1		
	<b>Boiler</b>			
FC142 & FC143	Heat exchange elbows			
HEA80	Boiler	1		
FC134	Safety valve sealed 1.6 – 1.8 bar	1		
HEA191	Probe	1		
HEA165	Element gasket	1		
HEA161	Element 2.85 KW 230V	1		
HEA161A	Element 2.4 KW 240V			
HEA161J	Element 1.4 KW 100V			
HEA150	Steam valve to boiler pipe	1		
HEA148	Heat exchange to group pipe (left)	1		
HEA147	Heat exchange to group pipe (right)	1		
FC169	Pressure switch	1		
HEA74	¼ x ¼ Tube stub connector	1		
HEA149	Hot water valve to boiler pipe	1		
FC135	Air release valve	1		
HEA138C	Manifold complete	1		
HEA154	Manifold to heat exchange pipe	1		
HEA146	Solenoid to boiler pipe	1		
HEA143	Heat exchange dip tube	1		
	<b>Manifold Assembly</b>			
HEA 178	Expansion valve complete	1		
FC171	Inlet solenoid valve	1		
HEA224	Spring clip for silicone tube	1		
LG178D	Tube fitting (expansion valve)	1		
FC178/F	Adjustment screw (expansion valve)	1		
FC178B	Spring (expansion valve)	1		
FC178FV2	Expansion valve housing	1		
FC198	Pad washer	1		
HEA223	Silicone tubing	1		
FC178C	'O' Ring (expansion valve)	1		
HEA178A	Stem (expansion valve)	1		
HEA138	Manifold	1		
HEA180B	NRV valve stem	1		
HEA180D	NRV valve head	1		
HEA180C	Spring (non return valve)	1		
HEA180E	Non return valve body	1		
HEA180A	'O' Ring	1		

Part No.	Description	Quantity		
	<b>Filter Holder</b>			
FC107	Single filter (7grm)	1		
FC107/D (10)	Single filter (10 grm)	1		
FC107 POD	Single pod filter	1		
FC110	Filter spring	2		
FC111A	Single beak	1		
FC105	Single filter holder complete	1		
FC108 (12)	Double filter (12grm)	1		
FC108/D (14)	Double filter (14grm)	1		
FC108 POD	Double pod filter	1		
FC105A	Double filter holder complete	1		
FC112	Double beak (closed)	1		
FC112/I	Double beak (open)	1		
FC112/AF	Double beak adjustable flow	1		
FC111A	Single beak curved	1		
	<b>Group</b>			
FC132B	Blank nut small	1		
FC99	Group body	1		
FC104	Filter holder washer (8.0mm tck)	1		
FC104/85	Filter holder washer (8.5mm tck)	1		
FC104/9	Filter holder washer (9.0mm tck)	1		
FC104P	Filter holder paper packing	1		
FC104B	Filter holder washer locking plate	1		
FC103M	Shower plate	1		
FC103S	Shower plate screw	1		
FC97B	Group cowl	1		
FC132A	Top jet filter holder	1		
FC130	Filter	1		
FC129A	Jet	1		
FC101	Group gasket	1		
FC120	Solenoid base 'O' ring	2		
FC116	Solenoid base	1		
FC119	Solenoid base screws	4		
FC121	Solenoid nucleus body	1		
FC121/V	Solenoid nucleus viton	1		
FC122	Solenoid outer case	1		
FC124/1	Solenoid coil (sealed)	1		
FC124A	Coil washer	1		
FC124B	Coil spring washer	1		
FC124C	Coil lock nut	1		
FC95N	Exhaust fitting	1		
FC125/1	Complete group solenoid flyleads	1		

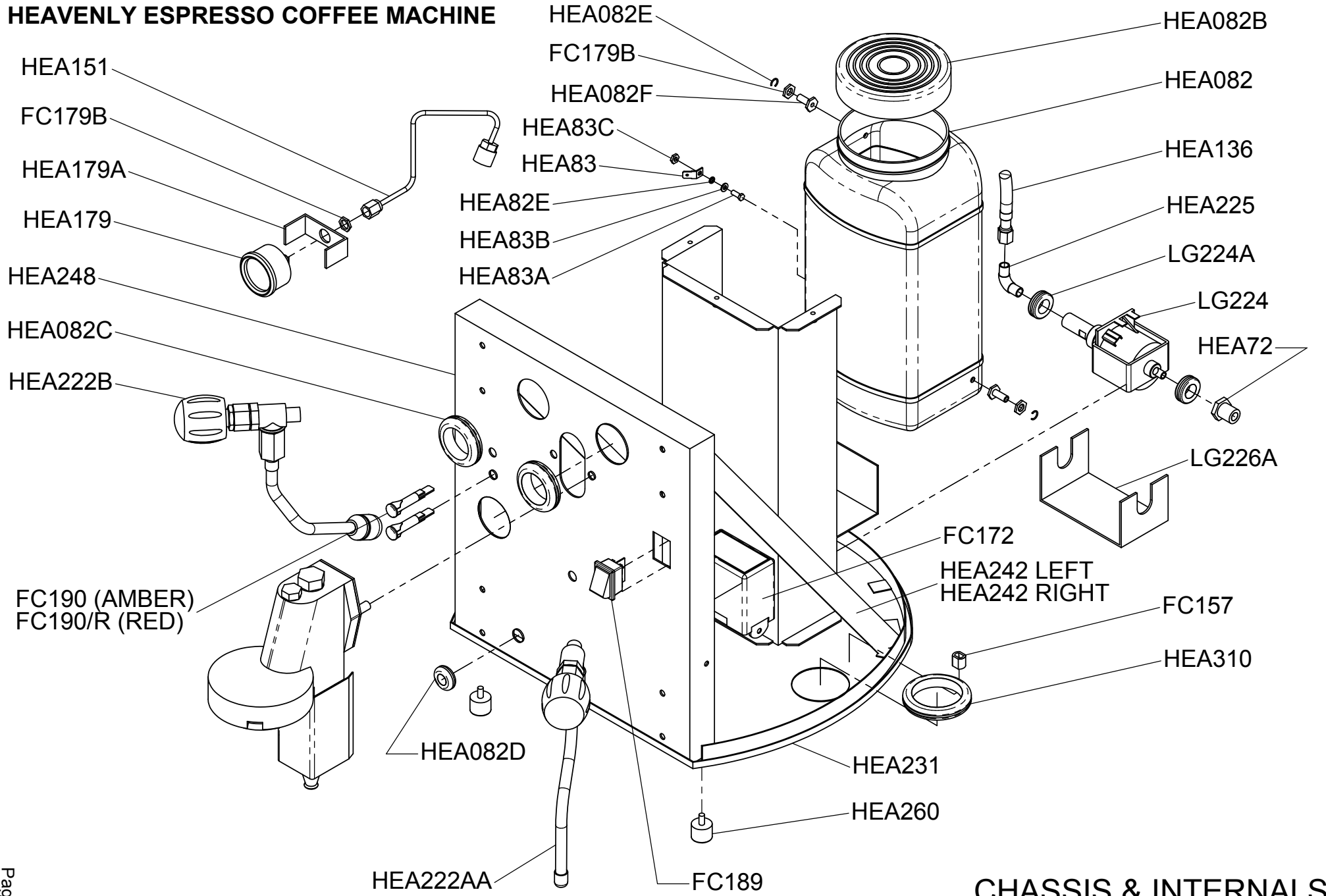


# HEAVENLY ESPRESSO COFFEE MACHINE





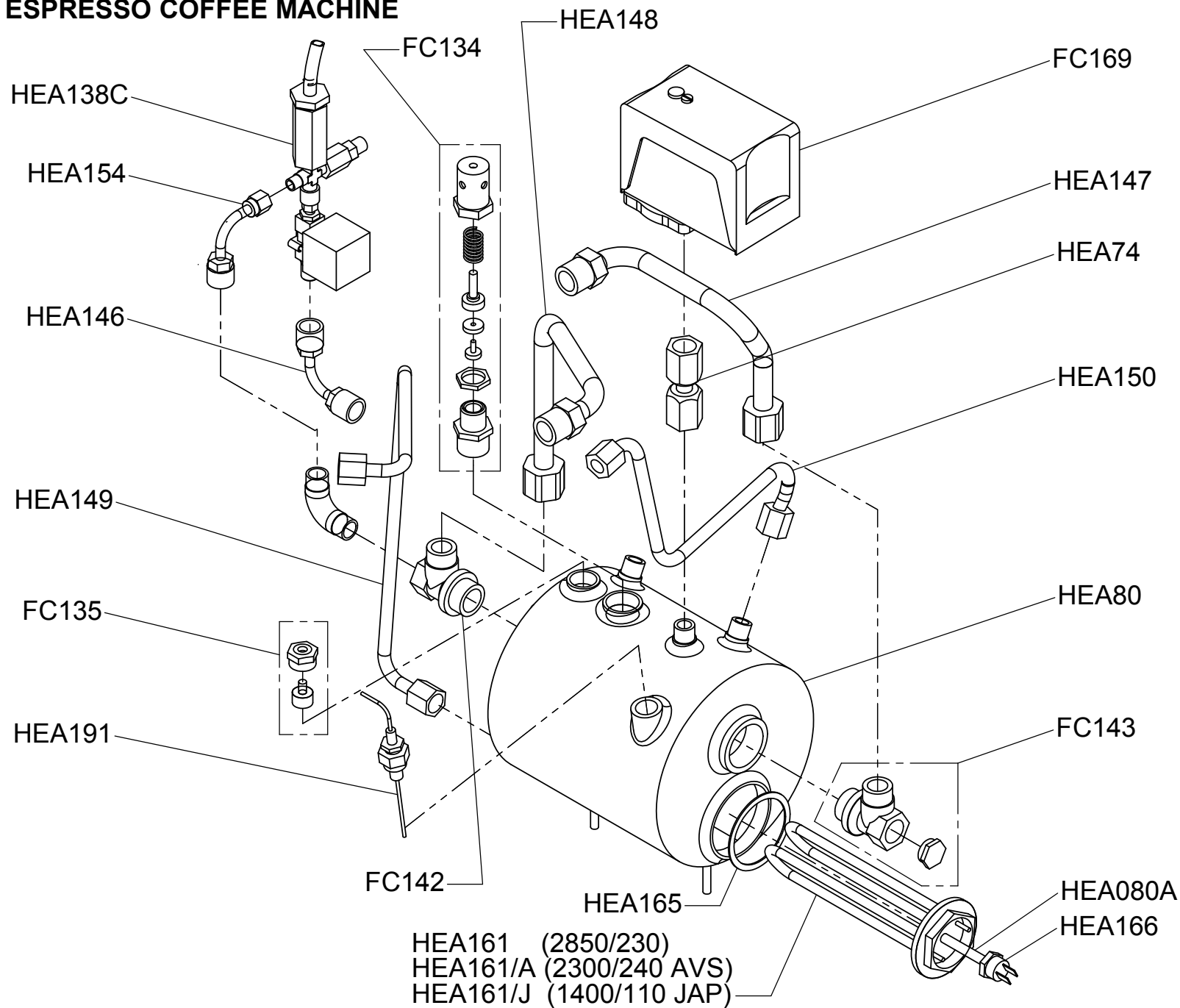
# HEAVENLY ESPRESSO COFFEE MACHINE



## CHASSIS & INTERNALS

© FRACINO 2005

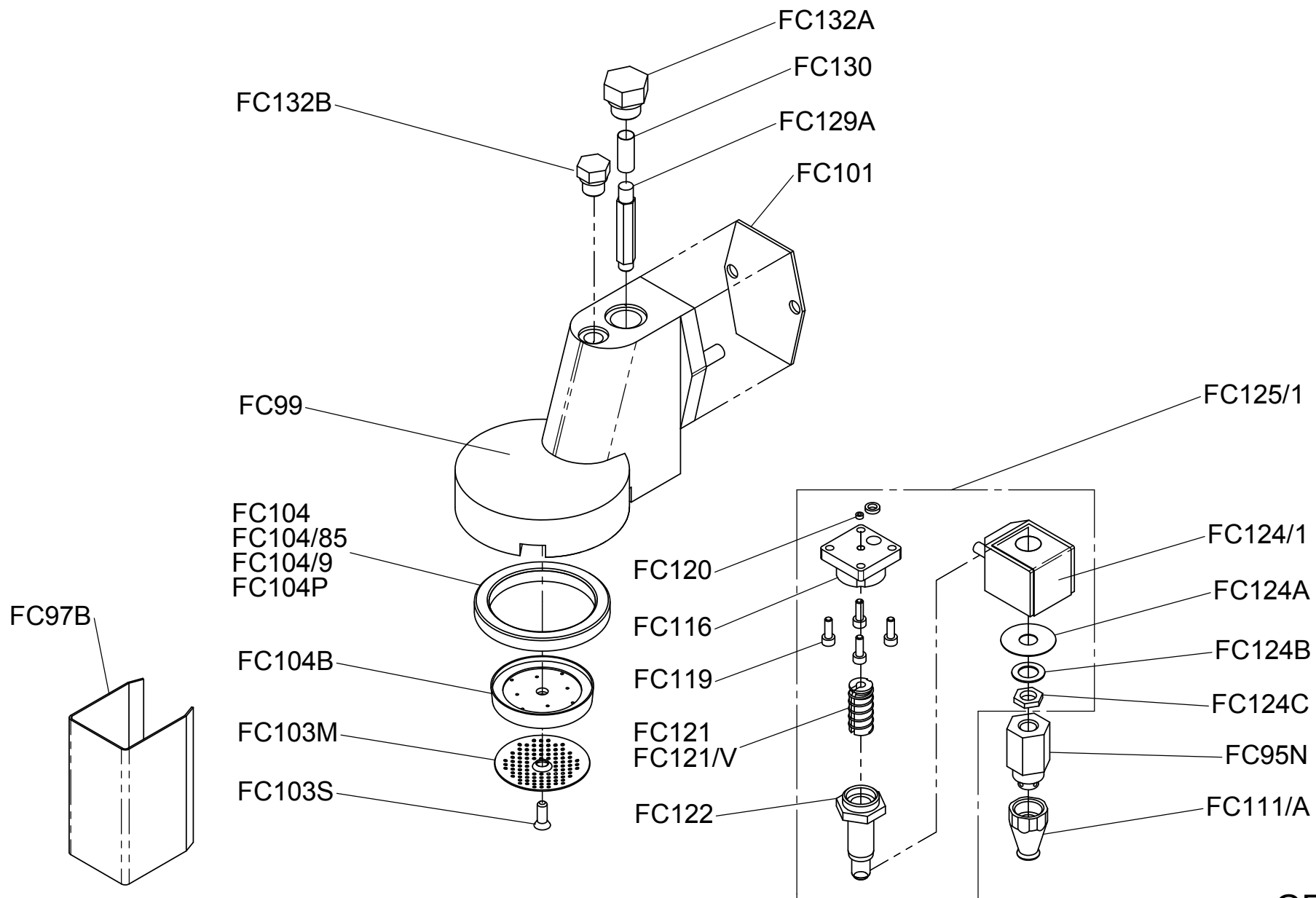
# HEAVENLY ESPRESSO COFFEE MACHINE



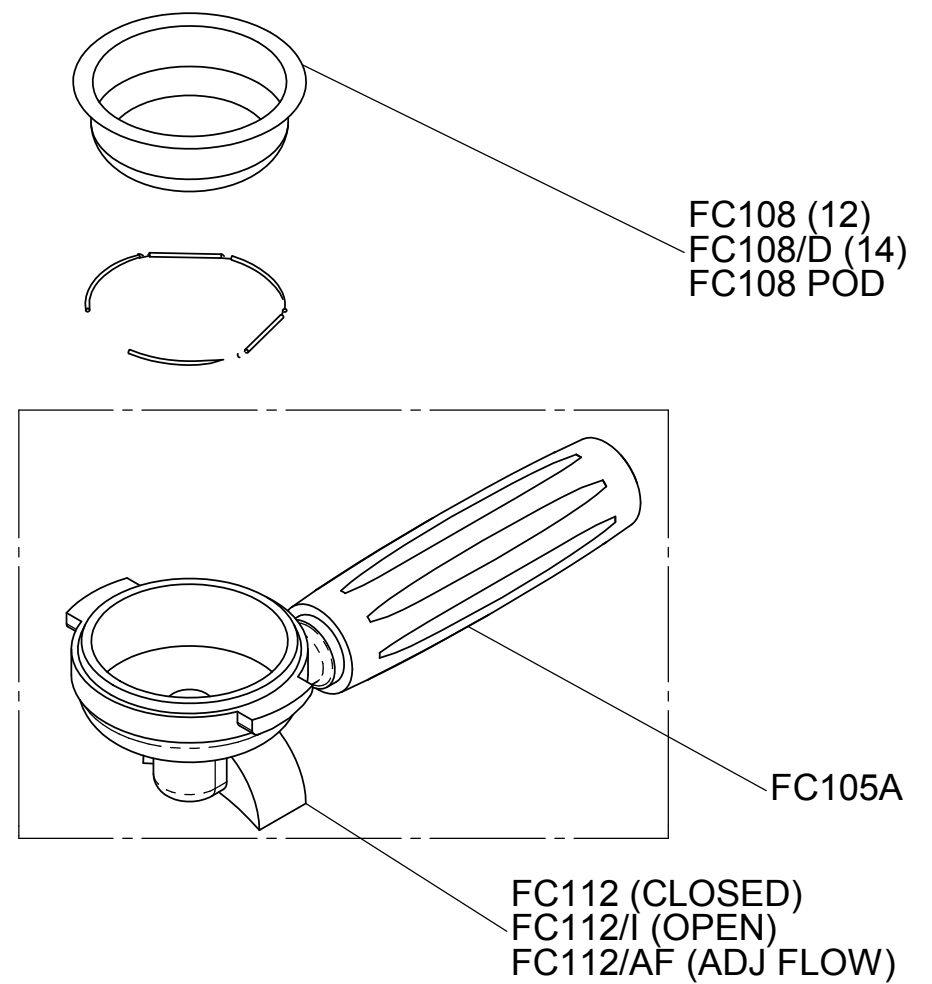
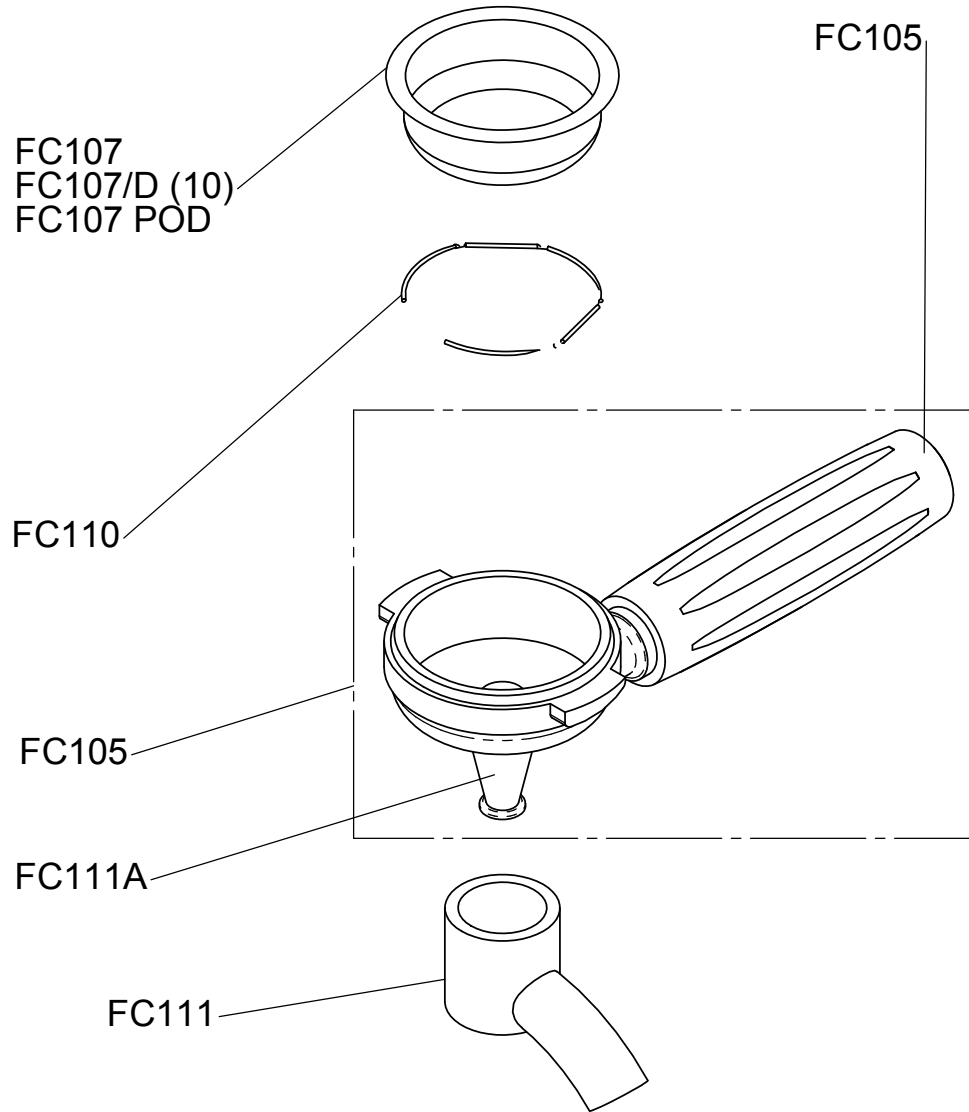
## BOILER

© FRACINO 2005

# HEAVENLY ESPRESSO COFFEE MACHINE



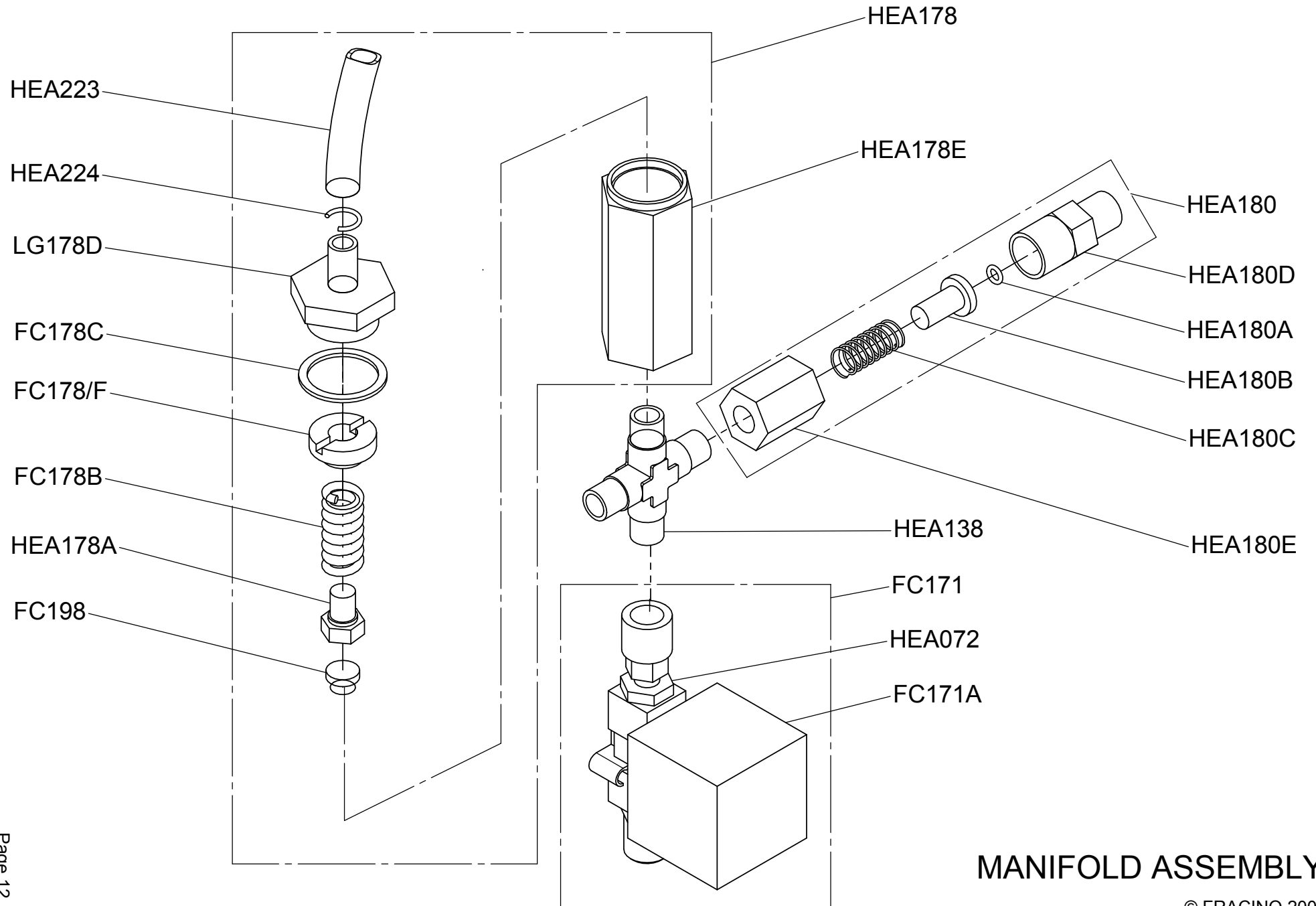
# HEAVENLY ESPRESSO COFFEE MACHINE



## FILTER HOLDER

© FRACINO 2005

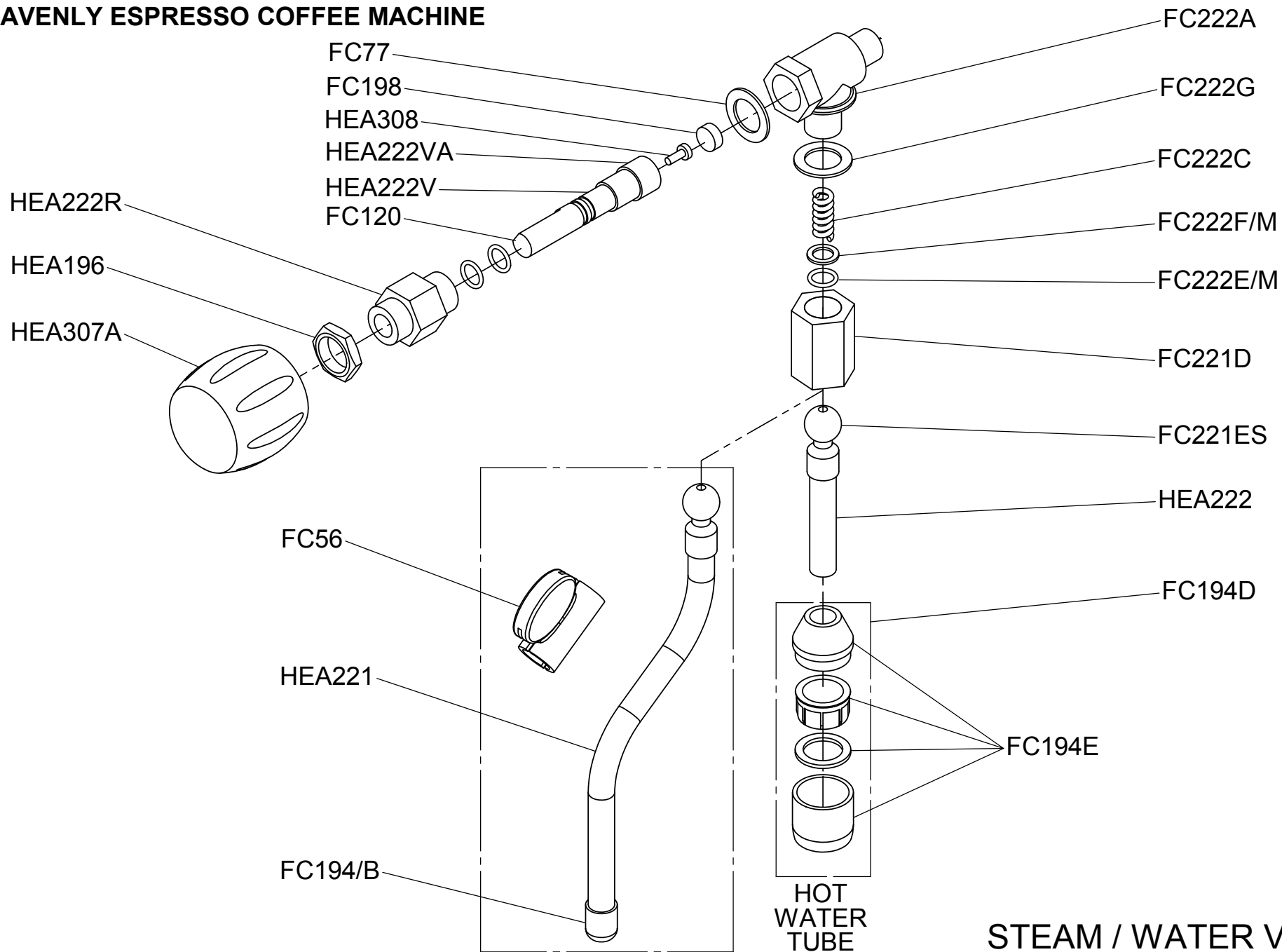
# HEAVENLY ESPRESSO COFFEE MACHINE



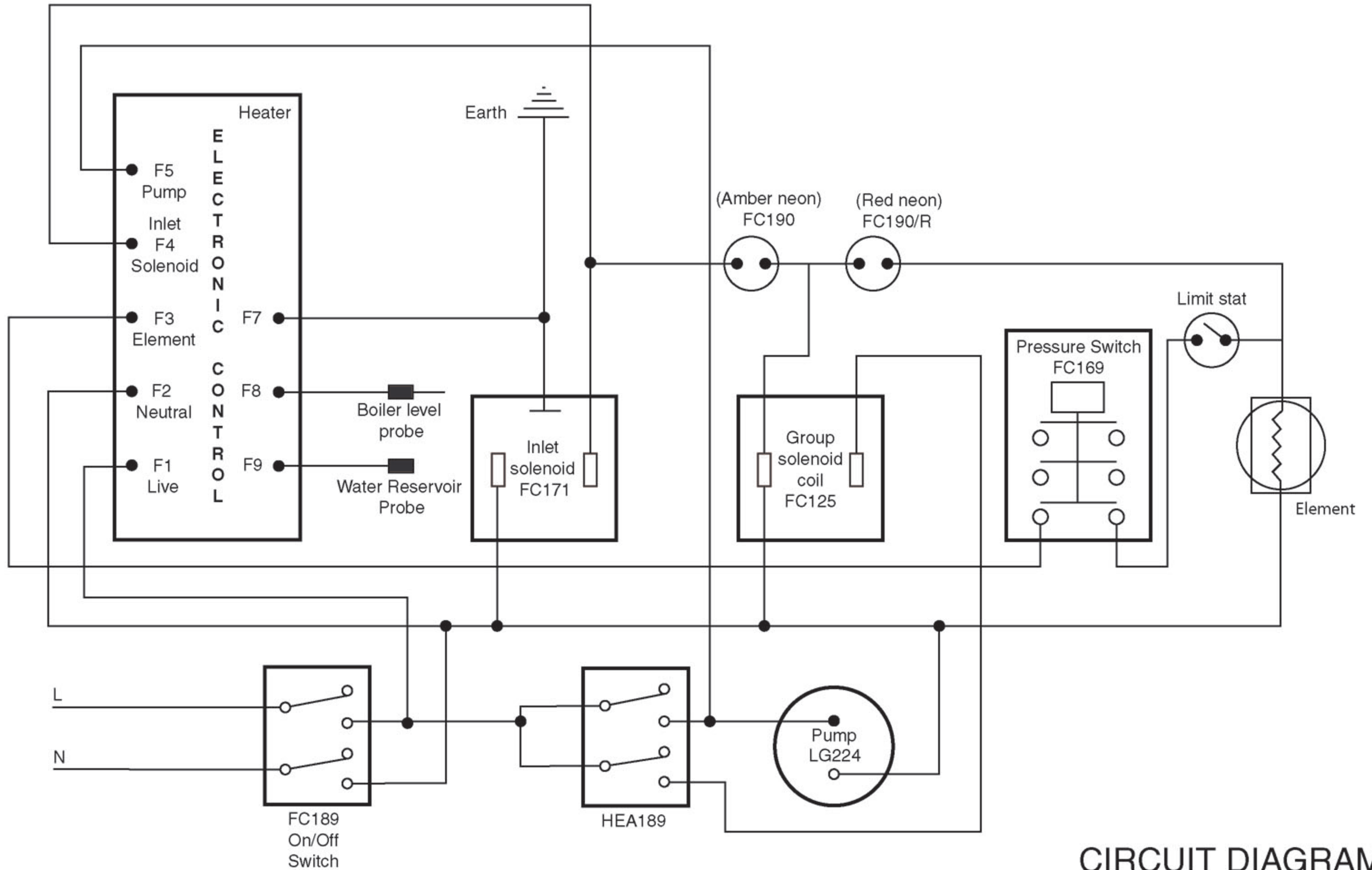
## MANIFOLD ASSEMBLY

© FRACINO 2005

# HEAVENLY ESPRESSO COFFEE MACHINE



# HEAVENLY ESPRESSO COFFEE MACHINE



**CIRCUIT DIAGRAM**

© Fracino 2005