



First Choice
Group

SPARE PARTS DIAGRAM FOR



HOSHIZAKI

Ice Machine
FM-120EE (-N)
CM-110EE
FM-120EE-50 (-N)
FM-120E
CM-110E

First Choice Group
Blakeney Way, Kingswood Lakeside
Cannock, Staffs, WS11 8LD
TEL: 01543 577778 FAX: 01543504141
Email: enquires@firstchoice-cs.co.uk
Web: www.firstchoice-cs.co.uk

No. E2EB-2637

ISSUED: MAY 14, 2004

REVISED: FEB. 16, 2006



HOSHIZAKI SELF-CONTAINED FLAKER

**MODEL FM-120EE(-N)
 CM-110EE
 FM-120EE-50(-N)
 FM-120E
 CM-110E**

PARTS LIST

(HE)

D-1	APR.	2004
E-0	DEC.	2004
E-1	FEB.	2005
F-0	DEC.	2005
F-1	APR.	2006

MATERIAL ABBREVIATIONS

ALUMINUM

AL = Aluminum

COPPER

CU = Copper

PLASTIC

ABS = Acrylonitrile -butadiene - styrene
AC = Polyacetal
EVA = Ethylene vinyl acetate
PA = Polyamide = Nylon
PC = Polycarbonate
PE = Polyethylene
PES = Polyester
PETP = Polyethylene terephthalate = Tetlon
PP = Polypropylene
PS = Polystyrene
PTFE = Polytetrafluoroethylene = Teflon
PUR = Polyurethane
PVC = Polyvinyl chloride

RUBBER

VN = Vinyl Nitrile
EPDM = EP rubber
NBR = Nitrile butadiene rubber
NR = Natural rubber
NP = Neoprene
SI.R = Silicone rubber
SY.R = Synthetic rubber
EPH = Epichlorohydrin

STEEL

GS = Galvanized steel
SS = Stainless steel
PS = Plated steel
PAS = Primed steel

AUXILIARY CODE

K-0

Designates the year. "K" indicates the year 2000. Years progress or regress in alphabetical order. "J" is 1999, "L" is 2001, "M" is 2002, and so on. The letters "I" and "O" were skipped.
Designates significant part changes within the same year. Base is 0 and this number advances for each change.

Example: P-1

"P" indicates 2004.
"1" indicates the first significant part change for 2004.

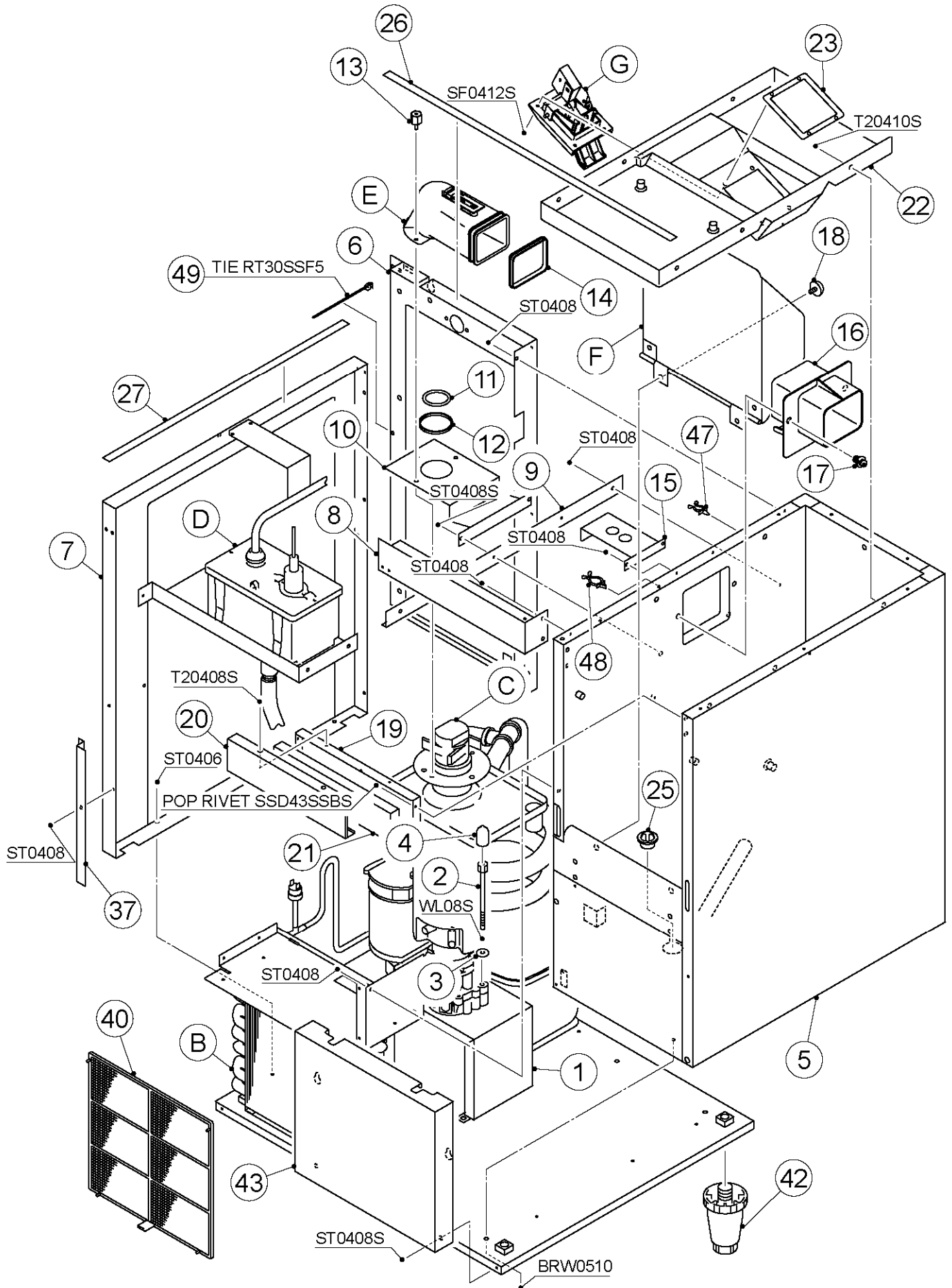
MARKS LOCATED UNDER THE AUXILIARY CODE

- = Part deleted.
x = Part deleted and replaced by "o" part.
o = New part in place of "x" part.

FM-120EE, FM-120E, CM-110E,
FM-120EE-N, CM-110EE,
FM-120EE-50, FM-120EE-50-N

A. ICE FLAKER ASSY(1/2)

(D-1)(E-0)



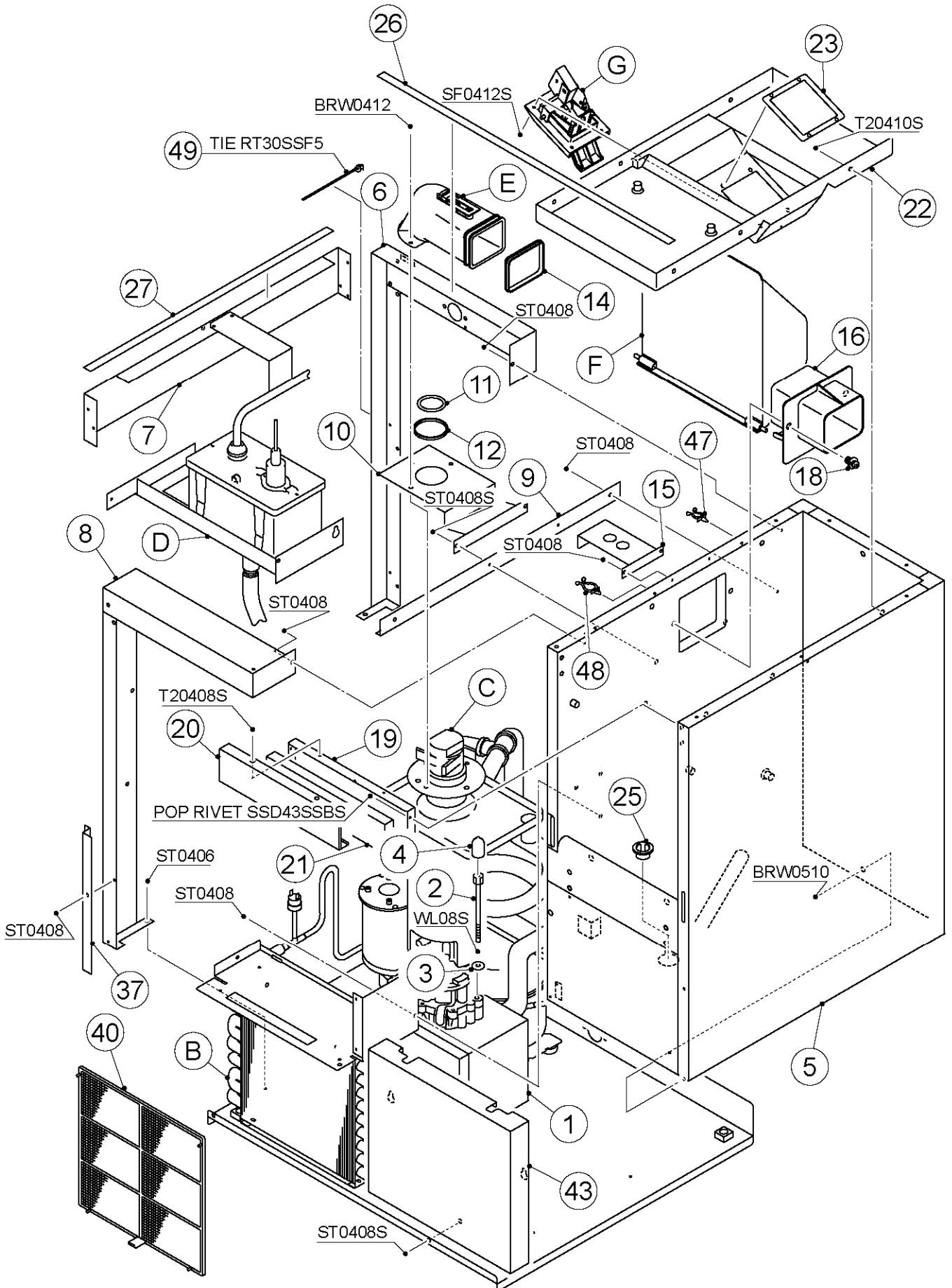
FM-120EE, FM-120E, CM-110E,

FM-120EE-N, CM-110EE,

FM-120EE-50, FM-120EE-50-N

A. ICE FLAKER ASSY(1/2)

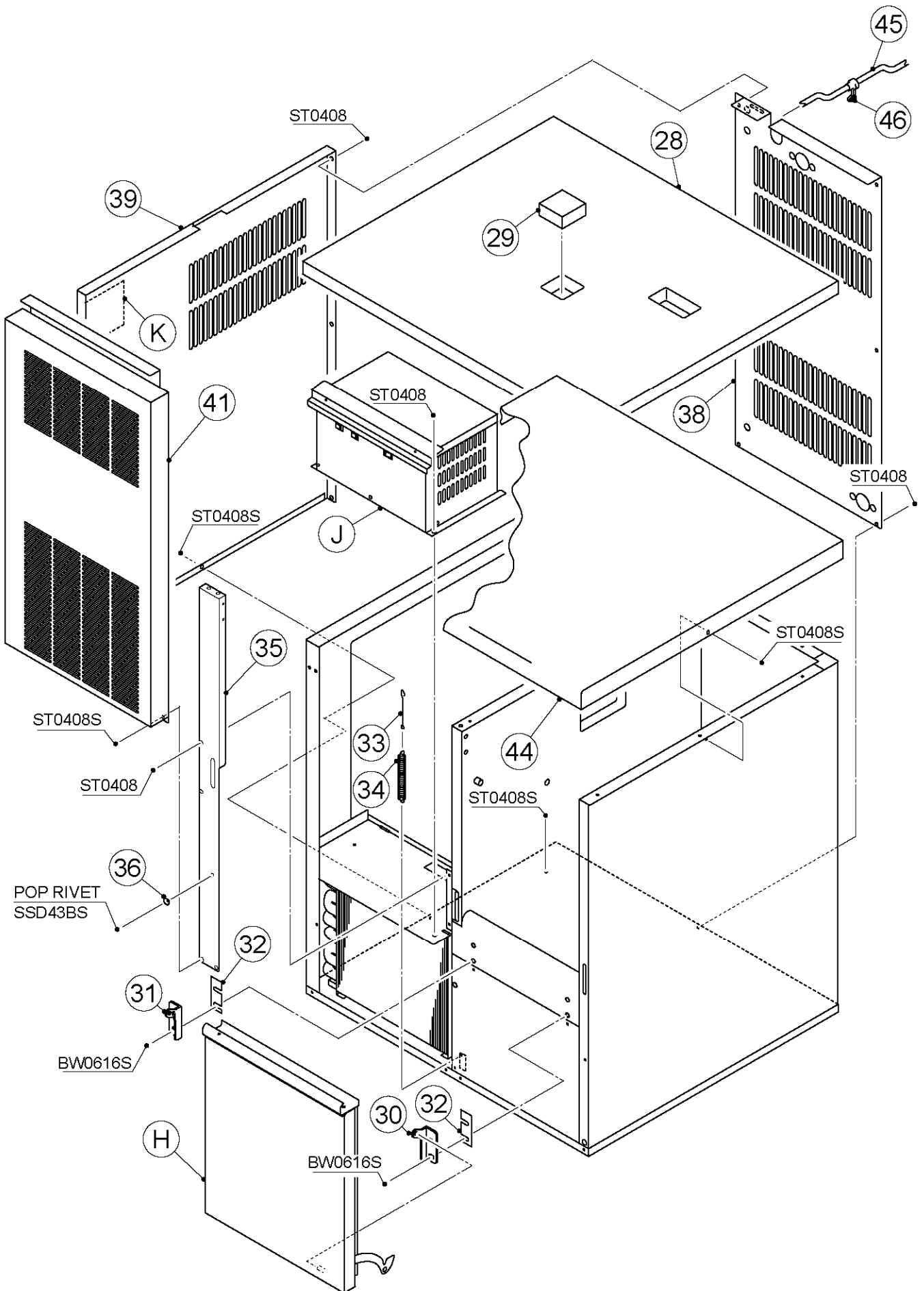
(E-1)



FM-120EE, FM-120E, CM-110E,
FM-120EE-N, CM-110EE,
FM-120EE-50, FM-120EE-50-N

A. ICE FLAKER ASSY(2/2)

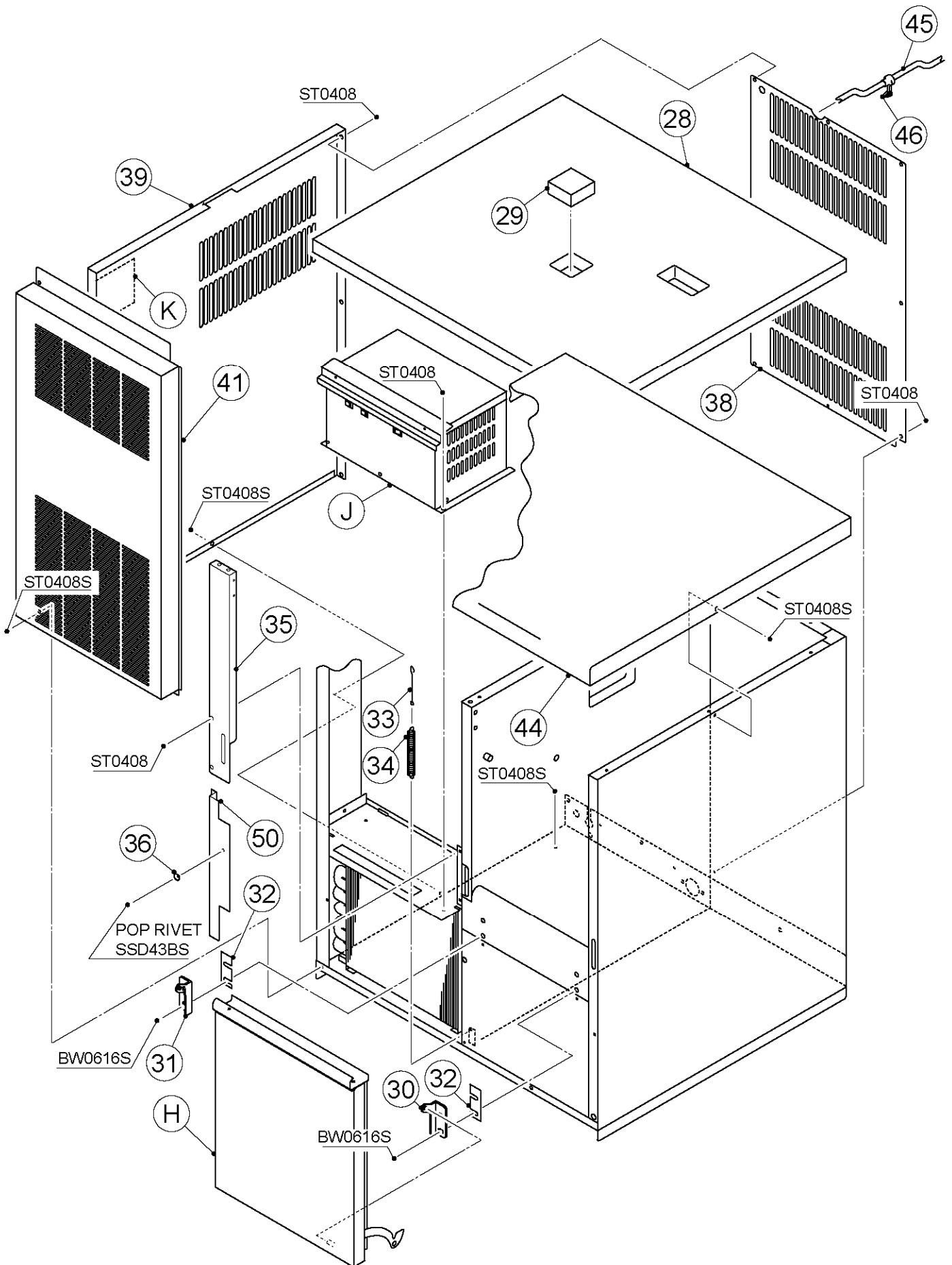
(D-1)(E-0)



FM-120EE, FM-120E, CM-110E,
FM-120EE-N, CM-110EE,
FM-120EE-50, FM-120EE-50-N

A. ICE FLAKER ASSY(2/2)

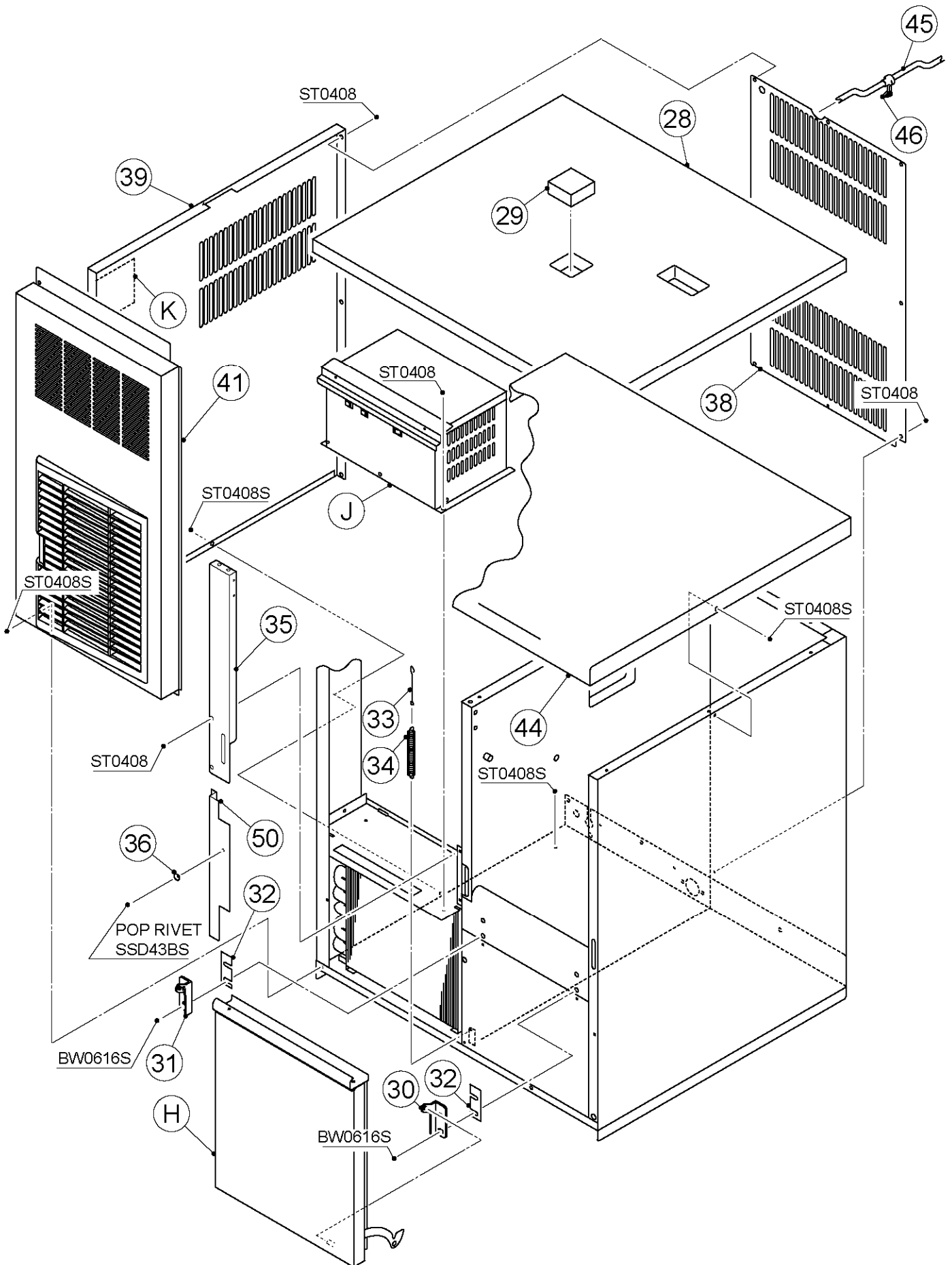
(E-1)(F-0)



FM-120EE, FM-120E, CM-110E,
FM-120EE-N, CM-110EE,
FM-120EE-50, FM-120EE-50-N

A. ICE FLAKER ASSY(2/2)

(F-1)



HE

MODEL: FM-120EE(-N) , CM-110EE, FM-120EE-50(-N), FM-120E, CM-110E								TITLE: A. ICE FLAKER ASSY			
INDEX NO.	DESCRIPTION	MATERIAL OR MODEL NUMBER	PART NUMBER	REQ'D NUMBER							
				D-1	E-0	E-1	F-0				
B	REFRIGERATION CIRCUIT		-	1	1	1	1				
C	ICE MAKING UNIT	FM-120EE FM-120EE-N FM-120EE-50 FM-120EE-50-N FM-120E	358938A01	1	1	1	1				
		CM-110EE CM-110E	358938A02	1	1	1	1				
D	WATER CIRCUIT		-	1	1	1	1				
E	SPOUT ASSY		358941A01	1	1	1	1				
F	SLOPE (ASSY)	FM-120EE FM-120EE-N CM-110EE	358930A01	1	1	-					
		FM-120E CM-110E	362588G01			1	1				
		FM-120EE-50	358931A01	1	1	-					
		FM-120EE-50-N	362590G01			1	1				
G	BIN SWITCH ASSY		S-0360	1	1	1	1				
H	DOOR ASSY	FM-120EE FM-120EE-N CM-110EE FM-120E CM-110E	358877A01	1	1	1	1				
		FM-120EE-50 FM-120EE-50-N	358927A01	1	1	1	1				
J	CONTROL BOX ASSY		241761A01	1	1	-					
			245052A01			1	1				

HE

MODEL: FM-120EE(-N) , CM-110EE, FM-120EE-50(-N), FM-120E, CM-110E		TITLE: A. ICE FLAKER ASSY					
INDEX NO.	DESCRIPTION	MATERIAL OR MODEL NUMBER	PART NUMBER	REQ'D NUMBER			
				F-1			
B	REFRIGERATION CIRCUIT		-	1			
C	ICE MAKING UNIT	FM-120EE FM-120EE-N FM-120EE-50 FM-120EE-50-N FM-120E	358938A01	1			
		CM-110EE CM-110E	358938A02	1			
D	WATER CIRCUIT		-	1			
E	SPOUT ASSY		358941A01	1			
F	SLOPE (ASSY)	FM-120EE FM-120EE-N CM-110EE FM-120E CM-110E	362588G01	1			
		FM-120EE-50 FM-120EE-50-N	362590G01	1			
G	BIN SWITCH ASSY		S-0360	1			
H	DOOR ASSY	FM-120EE FM-120EE-N CM-110EE FM-120E CM-110E	358877A01	1			
		FM-120EE-50 FM-120EE-50-N	358927A01	1			
J	CONTROL BOX ASSY		245052A01	-			
			245052A02	1			

HE

MODEL: FM-120EE(-N) , CM-110EE, FM-120EE-50(-N), FM-120E, CM-110E								TITLE: A. ICE FLAKER ASSY			
INDEX NO.	DESCRIPTION	MATERIAL OR MODEL NUMBER	PART NUMBER	REQ'D NUMBER							
				D-1	E-0	E-1	F-0				
K	LABEL LOCATION	FM-120EE (E2EB)	241795A01	1	1	1	1				
		FM-120EE (E2EB-C161)	241795A12	1	1	1	1				
		FM-120EE-N (E2EB-C105)	241795A02	1	1	1	1				
		CM-110EE (E2EB-C103)	241795A03	1	1	1	1				
		FM-120EE-50 (E2EB-C127)	241795A04	1	1	1	1				
		FM-120EE-50 (E2EB-C171)	241795A11	1	1	1	1				
		FM-120EE-50-N (E2EB-C129)	241795A05	1	1	1	1				
		FM-120E (E2EB-C043)	241795A06	1	1	1	1				
		FM-120E (E2EB-C122)	241795A08	1	1	1	1				
		FM-120E (E2EB-C124)	241795A10	1	1	1	1				
		CM-110E (E2EB-D011)	241795A07	1	1	1	1				
		CM-110E (E2EB-D012)	241795A09	1	1	1	1				

HE

MODEL: FM-120EE(-N) , CM-110EE, FM-120EE-50(-N), FM-120E, CM-110E								TITLE: A. ICE FLAKER ASSY			
INDEX NO.	DESCRIPTION	MATERIAL OR MODEL NUMBER	PART NUMBER	REQ'D NUMBER							
				F-1							
K	LABEL LOCATION	FM-120EE (E2EB)	241795A01	1							
		FM-120EE (E2EB-C161)	241795A12	1							
		FM-120EE-N (E2EB-C105)	241795A02	1							
		CM-110EE (E2EB-C103)	241795A03	1							
		FM-120EE-50 (E2EB-C127)	241795A04	1							
		FM-120EE-50 (E2EB-C171)	241795A11	1							
		FM-120EE-50-N (E2EB-C129)	241795A05	1							
		FM-120E (E2EB-C043)	241795A06	1							
		FM-120E (E2EB-C122)	241795A08	1							
		FM-120E (E2EB-C124)	241795A10	1							
		CM-110E (E2EB-D011)	241795A07	1							
		CM-110E (E2EB-D012)	241795A09	1							

HE

MODEL: FM-120EE(-N) , CM-110EE, FM-120EE-50(-N), FM-120E, CM-110E								TITLE: A. ICE FLAKER ASSY			
INDEX NO.	DESCRIPTION	MATERIAL OR MODEL NUMBER	PART NUMBER	REQ'D NUMBER							
				D-1	E-0	E-1	F-0				
1	GEAR MOTOR BASE		241751G01	1	1	1	1				
2	SCREW - M8	8x93	458298-03	3	3	3	3				
3	SEAL WASHER	8	458299-01	3	3	3	3				
4	VINYL CAP		451272-01	3	3	3	3				
5	BIN-FOAMED	FM-120EE	114442G01	1	1	-					
		FM-120EE-N									
		CM-110EE	115726G01			1	1				
		FM-120E									
CM-110E											
6	REAR FRAME	FM-120EE-50	114452G01	1	1	-					
		FM-120EE-50-N	115727G01			1	1				
6	REAR FRAME	FM-120EE	241878-01	1	1	-					
		FM-120EE-N									
		CM-110EE	245370-01			1	1				
		FM-120EE-50									
FM-120EE-50-N											
CM-110E											
FM-120E	(E2EB-C124)										
FM-120E	(E2EB-C043)	243388-01	1	1	-						
FM-120E	(E2EB-C122)	245373-01			1	1					
7	SIDE FRAME		241752-01	1	1	-					
			362978-01			1	1				
8	FRONT FRAME(L)		466288-01	1	1	-					
			245372-01			1	1				
9	BRACE - EVAPORATOR		466287-01	1	1	1	1				
10	BRACKET - EVA		358886-01	1	1	1	1				
11	O RING		7616-G045	1	1	1	1				
12	RING		432661-03	1	1	1	1				
13	THUMB SCREW		415949G03	3	3	-					
14	PACKING(A)		427152-02	1	1	1	1				
15	SWITCH LEVER		466286-01	1	1	1	1				
16	SPOUT(B)		232654-02	1	1	1	1				
17	BOLT		462612-01	2	2	-					

HE

MODEL: FM-120EE(-N) , CM-110EE, FM-120EE-50(-N), FM-120E, CM-110E								TITLE: A. ICE FLAKER ASSY			
INDEX NO.	DESCRIPTION	MATERIAL OR MODEL NUMBER	PART NUMBER	REQ'D NUMBER							
				F-1							
1	GEAR MOTOR BASE		241751G01	1							
2	SCREW - M8	8x93	458298-03	3							
3	SEAL WASHER	8	458299-01	3							
4	VINYL CAP		451272-01	3							
5	BIN-FOAMED	FM-120EE FM-120EE-N CM-110EE FM-120E CM-110E	115726G01	1							
		FM-120EE-50 FM-120EE-50-N	115727G01	1							
6	REAR FRAME	FM-120EE FM-120EE-N CM-110EE FM-120EE-50 FM-120EE-50-N CM-110E FM-120E (E2EB-C124)	245370-01	1							
		FM-120E (E2EB-C043) FM-120E (E2EB-C122)	245373-01	1							
7	SIDE FRAME		362978-01	1							
8	FRONT FRAME(L)		245372-01	1							
9	BRACE - EVAPORATOR		466287-01	1							
10	BRACKET - EVA		358886-01	1							
11	O RING		7616-G045	1							
12	RING		432661-03	1							
13											
14	PACKING(A)		427152-02	1							
15	SWITCH LEVER		466286-01	1							
16	SPOUT(B)		232654-02	1							
17											

HE

MODEL: FM-120EE(-N) , CM-110EE, FM-120EE-50(-N), FM-120E, CM-110E								TITLE : A. ICE FLAKER ASSY			
INDEX NO.	DESCRIPTION	MATERIAL OR MODEL NUMBER	PART NUMBER	REQ'D NUMBER							
				D-1	E-0	E-1	F-0				
18	THUMB SCREW	FM-120EE FM-120EE-N CM-110EE FM-120E CM-110E	456279G01	2	2	2	2				
		FM-120EE-50 FM-120EE-50-N		3	3						
19	FRONT BRACE - BIN	FM-120EE FM-120EE-N CM-110EE FM-120E CM-110E	466313-01	1	1	1	1				
20	FRONT FRAME - BIN	FM-120EE FM-120EE-N CM-110EE FM-120E CM-110E	466312-01	1	1	1	1				
		FM-120EE-50 FM-120EE-50-N	466310-01	1	1	1	1				
21	INSULATION - FRONT	FM-120EE FM-120EE-N CM-110EE FM-120E CM-110E	418332-01	1	1	1	1				
		FM-120EE-50 FM-120EE-50-N	466394-02	1	1	1	1				
22	UPPER PANEL - BIN	FM-120EE FM-120EE-N CM-110EE	241746G01	1	1	-					
		FM-120E CM-110E	241746-01			1	1				
		FM-120EE-50 FM-120EE-50-N	241750G01 241750-01	1	1	-	1				
23	FRAME - BIN SWITCH		466617-01	1	1	1	1				
24	BARRIER-BIN		-	-							
25	DRAIN PIPE - CUT		466275-01	1	1	1	1				

HE

MODEL: FM-120EE(-N) , CM-110EE, FM-120EE-50(-N), FM-120E, CM-110E							
TITLE : A. ICE FLAKER ASSY							
INDEX NO.	DESCRIPTION	MATERIAL OR MODEL NUMBER	PART NUMBER	REQ'D NUMBER			
				F-1			
18	THUMB SCREW	FM-120EE FM-120EE-N CM-110EE FM-120E CM-110E FM-120EE-50 FM-120EE-50-N	456279G01	2			
19	FRONT BRACE - BIN	FM-120EE FM-120EE-N CM-110EE FM-120E CM-110E	466313-01	1			
20	FRONT FRAME - BIN	FM-120EE FM-120EE-N CM-110EE FM-120E CM-110E	466312-01	1			
		FM-120EE-50 FM-120EE-50-N	466310-01	1			
21	INSULATION - FRONT	FM-120EE FM-120EE-N CM-110EE FM-120E CM-110E	418332-01	1			
		FM-120EE-50 FM-120EE-50-N	466394-02	1			
22	UPPER PANEL - BIN	FM-120EE FM-120EE-N CM-110EE FM-120E CM-110E	241746-01	1			
		FM-120EE-50 FM-120EE-50-N	241750-01	1			
23	FRAME - BIN SWITCH		466617-01	1			
24							
25	DRAIN PIPE - CUT		466275-01	1			

HE

MODEL: FM-120EE(-N) , CM-110EE, FM-120EE-50(-N), FM-120E, CM-110E								TITLE : A. ICE FLAKER ASSY			
INDEX NO.	DESCRIPTION	MATERIAL OR MODEL NUMBER	PART NUMBER	REQ'D NUMBER							
				D-1	E-0	E-1	F-0				
26	SOFT TAPE	FM-120EE FM-120EE-N CM-110EE FM-120E CM-110E	115588-43 SUPER SEAT HG t3xW15xL635	2	2	2	2				
		FM-120EE-50 FM-120EE-50-N	SUPER SEAT HG t3xW15xL935	2	2	2	2				
27	SOFT TAPE		115588-44 SUPER SEAT HG t3xW15xL530	3	3	3	3				
28	INSULATION (A) - TOP	FM-120EE FM-120EE-N CM-110EE FM-120E CM-110E	358885-01	1	1	1	1				
		FM-120EE-50 FM-120EE-50-N	358885-02	1	1	1	1				
29	INSULATION (B) - TOP		466314-01	1	1	1	1				
30	HINGE (RIGHT)		4H0456-01	1	1	1	1				
31	HINGE (LEFT)		426053-01	1	1	1	1				
32	HINGE SPACER (B)		4H0605-02	2	2	2	2				
33	HOOK (H)		404060-07	1	1	1	1				
34	SPRING	FM-120EE FM-120EE-N CM-110EE FM-120E CM-110E	4H0491-01	1	1	1	1				
		FM-120EE-50 FM-120EE-50-N	4H0823-01	1	1	1	1				
35	FRONT PLATE		358888-01	1	1	-					
			358898-01			1	1				
36	TAPER COLLAR		4H0171-01	2	2	2	2				
37	BARRIER - AIR		466295-01	1	1	1	1				
38	REAR PANEL (L)		241755-01	1	1	-					
			245047-01			1	1				
39	SIDE PANEL(L)		241753-01	1	1	-					
			245044-01			1	1				
40	AIR FILTER		332631G01	1	1	1	1				
41	FRONT PANEL (L)		241754-01	1	1	-					
			245043-01			1	1				
42	LEG		429119-01	4	4	-					

HE

MODEL: FM-120EE(-N) , CM-110EE, FM-120EE-50(-N), FM-120E, CM-110E								TITLE : A. ICE FLAKER ASSY			
INDEX NO.	DESCRIPTION	MATERIAL OR MODEL NUMBER	PART NUMBER	REQ'D NUMBER							
				F-1							
26	SOFT TAPE	FM-120EE FM-120EE-N CM-110EE FM-120E CM-110E	115588-43 SUPER SEAT HG t3xW15xL635	2							
		FM-120EE-50 FM-120EE-50-N	SUPER SEAT HG t3xW15xL935	2							
27	SOFT TAPE		115588-44 SUPER SEAT HG t3xW15xL530	3							
28	INSULATION (A) - TOP	FM-120EE FM-120EE-N CM-110EE FM-120E CM-110E	358885-01	1							
		FM-120EE-50 FM-120EE-50-N	358885-02	1							
29	INSULATION (B) - TOP		466314-01	1							
30	HINGE (RIGHT)		4H0456-01	1							
31	HINGE (LEFT)		426053-01	1							
32	HINGE SPACER (B)		4H0605-02	2							
33	HOOK (H)		404060-07	1							
34	SPRING	FM-120EE FM-120EE-N CM-110EE	4H0491-01	-							
		FM-120E CM-110E	4H0491-02	1							
		FM-120EE-50 FM-120EE-50-N	4H0823-01 4H0823-02	- 1							
35	FRONT PLATE		358898-01	1							
36	TAPER COLLAR		4H0171-01	2							
37	BARRIER - AIR		466295-01	1							
38	REAR PANEL (L)		245047-01	1							
39	SIDE PANEL(L)		245044-01	1							
40	AIR FILTER		332631G01	-							
41	FRONT PANEL (L)		245043-01	-							
			249060G01	1							
42											

HE

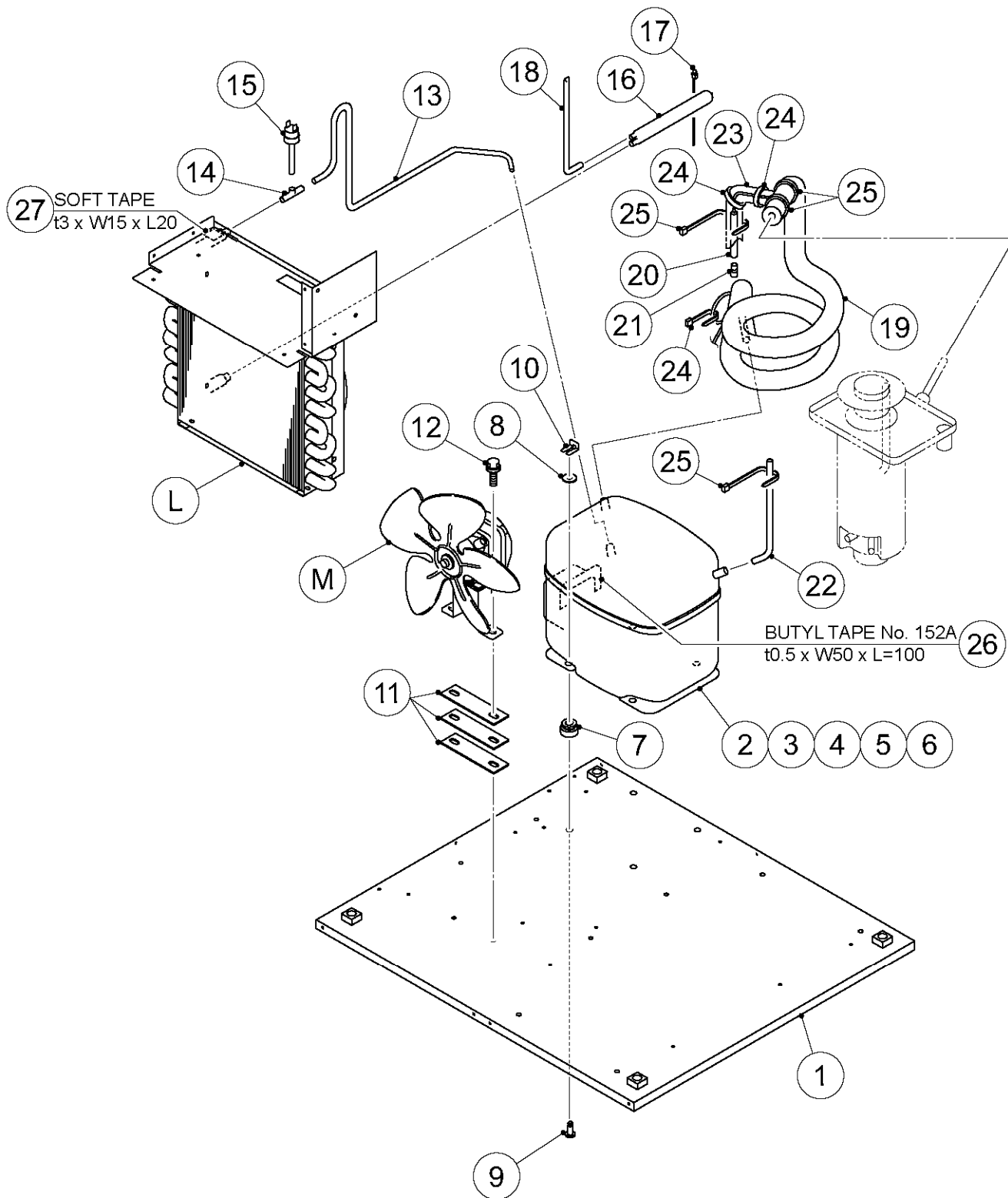
MODEL: FM-120EE(-N) , CM-110EE, FM-120EE-50(-N), FM-120E, CM-110E								TITLE : A. ICE FLAKER ASSY			
INDEX NO.	DESCRIPTION	MATERIAL OR MODEL NUMBER	PART NUMBER	REQ'D NUMBER							
				F-1							
43	FRONT PANEL (R)	FM-120EE FM-120EE-N CM-110EE FM-120E CM-110E	362595-01	1							
		FM-120EE-50 FM-120EE-50-N	362596-01	1							
44	TOP PANEL	FM-120EE FM-120EE-N CM-110EE FM-120E CM-110E	241759-01	1							
		FM-120EE-50 FM-120EE-50-N	241759-02	1							
45	POWER CORD	FM-120EE FM-120EE-N CM-110EE FM-120EE-50 FM-120EE-50-N	452263-01	1							
		CM-110E FM-120E (E2EB-C043)	426534-02	1							
		FM-120E (E2EB-C122)									
		FM-120E (E2EB-C124)	458139-01	1							
46	BUSHING	CEE SR-6P-10	448949-01	1							
47	CLAMP	No.249	427902-03	5							
48	CLAMP	No.4253	427902-05	4							
49	TIE	RT30SSF5	457167-01	1							
50	BARRIER - AIR(B)		468195-01	1							

FM-120EE, FM-120E, CM-110E,

FM-120EE-N, CM-110EE,

FM-120EE-50, FM-120EE-50-N B. REFRIGERATION CIRCUIT

(D-1)(E-0)

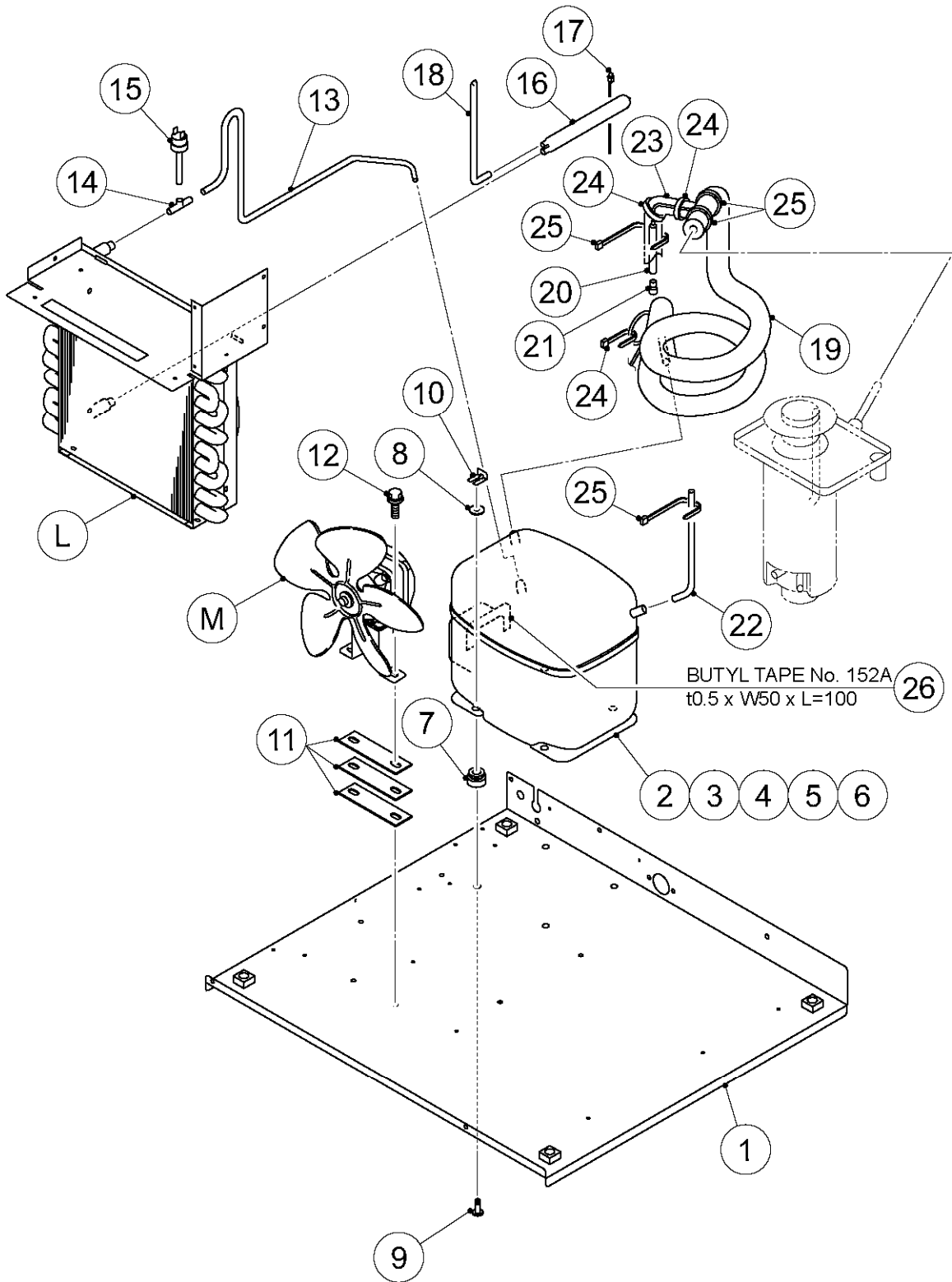


FM-120EE, FM-120E, CM-110E,

FM-120EE-N, CM-110EE,

FM-120EE-50, FM-120EE-50-N B. REFRIGERATION CIRCUIT

(E-1)-(F-0)

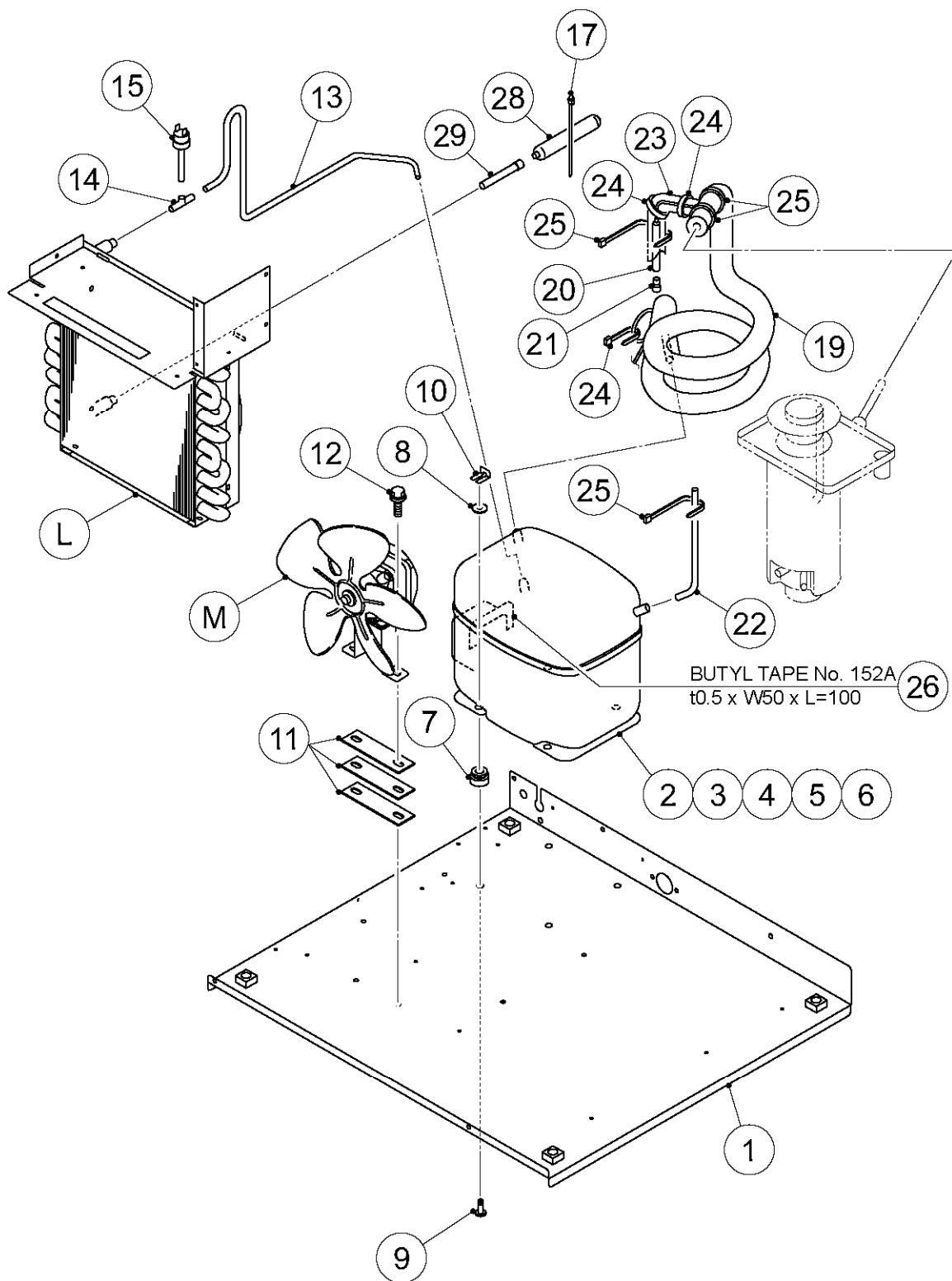


FM-120EE, FM-120E, CM-110E,

FM-120EE-N, CM-110EE,

FM-120EE-50, FM-120EE-50-N B. REFRIGERATION CIRCUIT

(F-1)-



HE

MODEL: FM-120EE(-N) , CM-110EE, FM-120EE-50(-N), FM-120E, CM-110E								TITLE: B. REFRIGERATION CIRCUIT			
INDEX NO.	DESCRIPTION	MATERIAL OR MODEL NUMBER	PART NUMBER	REQ'D NUMBER							
				D-1	E-0	E-1	F-0				
L	CONDENSER ASSY		241780A01	1	1	1	1				
M	FAN MOTOR ASSY		S-0950	1	1	1	1				
1	BASE	FM-120EE	241758G01	1	1	-					
		FM-120EE-N									
		CM-110EE	245046G01			1	1				
		FM-120E									
		CM-110E	243388-01	1	1	-					
			245046G02			1	1				
		FM-120EE-50	241782G01	1	1	-					
		FM-120EE-50-N	245048G01			1	1				
2	COMPRESSOR	SC12G	453580-01	1	1	1	1				
3	STARTING RELAY	117U6003	453581-01	1	1	1	1				
4	STARTING CAPACITOR	117U5017	454834-01	1	1	1	1				
5	CORD RELIEF	103N1004	452239-01	1	1	1	1				
6	COVER	103N2009	459924-01	1	1	1	1				
7	RUBBER GROMMET		450897-01	4	4	4	4				
8	WASHER		450894-01	4	4	4	4				
9	STEEL PIN		452255-01	4	4	4	4				
10	CLIP		452256-01	4	4	4	4				
11	SPACER - FAN MOTOR		466281-01	3	3	3	3				
12	HEX.BOLT SW	6x20	458660-01	2	2	2	2				
13	COPPER TUBE(A)-HIGH SIDE		358893-01	1	1	1	1				
14	TEE	8.16DIAx6.5DIAx6.5DIA	420041-03	1	1	1	1				
15	PRESSURE SWITCH	SEP-P180HHD-1	459863-02	1	1	1	1				
16	DRIER	DY-15QHD-2	458773-01	1	1	1	1				
17	TIE	RT30SSF5	457167-01	2	2	2	2				
18	PROCESS TUBE - HIGH SIDE		466290-01	1	1	1	1				
19	HEAT EXCHANGER		241757G01	1	1	1	1				
20	COPPER TUBE - CAPILLARY		463885-02	1	1	1	1				
21	REDUCER	9.52x8	421904-17	1	1	1	1				
22	PROCESS TUBE - LOW SIDE		466291-01	1	1	1	1				
23	INSULATION TUBE	L=300	7762-1030	1	1	1	1				
24	CABLE TIE	CV-100	7920-0002	3	3	3	3				
25	CABLE TIE	CV-150	7920-0003	12	12	12	12				
26	BUTYL TAPE	No.152A,L=100	115587-28	1	1	1	1				
27	SOFT TAPE	t3xW15xL20	114446-29	1	1	-					

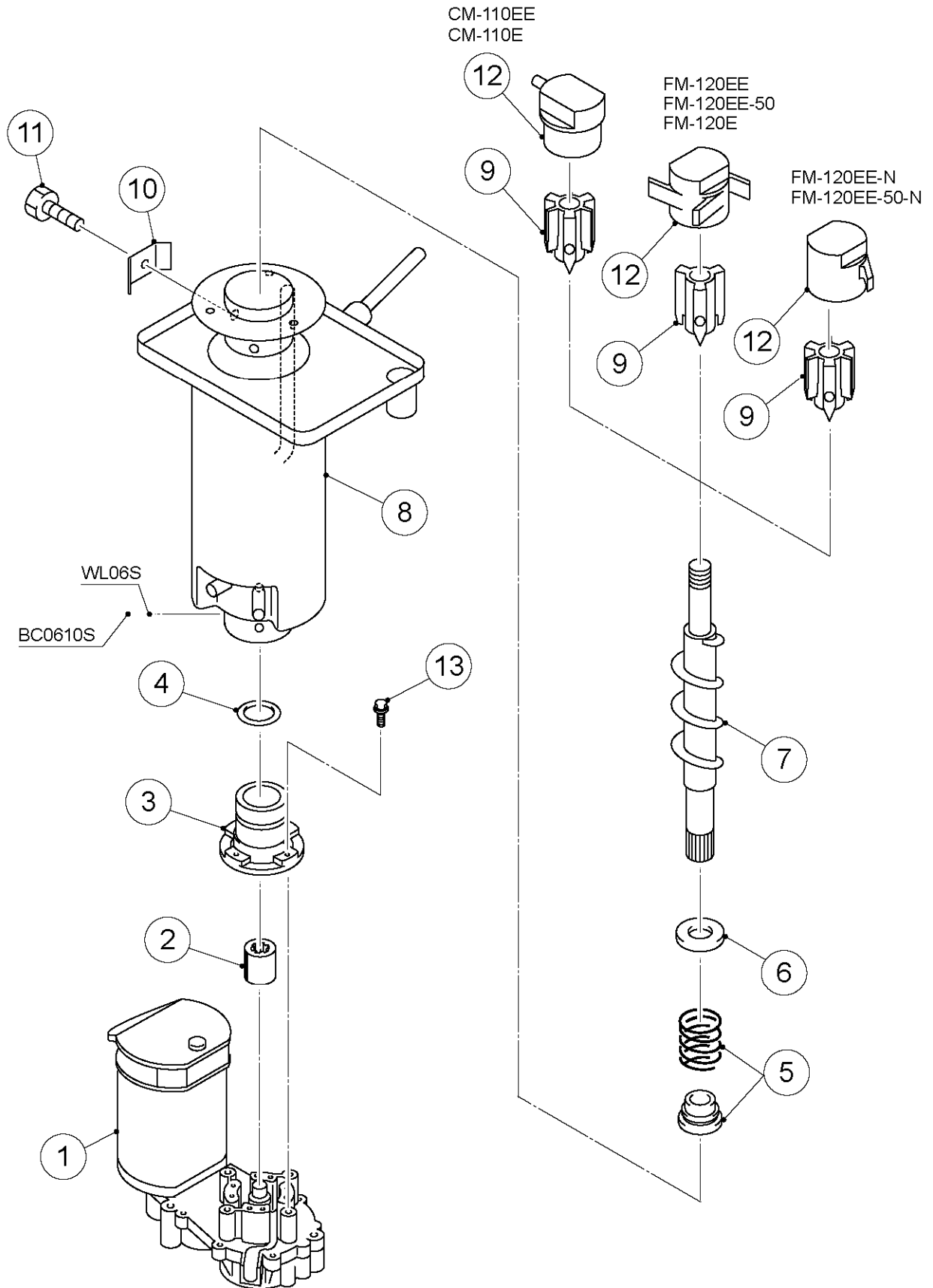
HE

MODEL: FM-120EE(-N) , CM-110EE, FM-120EE-50(-N), FM-120E, CM-110E								TITLE : B. REFRIGERATION CIRCUIT			
INDEX NO.	DESCRIPTION	MATERIAL OR MODEL NUMBER	PART NUMBER	REQ'D NUMBER							
				F-1							
L	CONDENSER ASSY		241780A01	1							
M	FAN MOTOR ASSY		S-0950	1							
1	BASE	FM-120EE FM-120EE-N CM-110EE FM-120E	245046G01	1							
		CM-110E	245046G02	1							
		FM-120EE-50 FM-120EE-50-N	245048G01	1							
2	COMPRESSOR	SC12G	453580-01	1							
3	STARTING RELAY	117U6003	453581-01	1							
4	STARTING CAPACITOR	117U5017	454834-01	1							
5	CORD RELIEF	103N1004	452239-01	1							
6	COVER	103N2009	459924-01	1							
7	RUBBER GROMMET		450897-01	4							
8	WASHER		450894-01	4							
9	STEEL PIN		452255-01	4							
10	CLIP		452256-01	4							
11	SPACER - FAN MOTOR		466281-01	3							
12	HEX.BOLT SW	6x20	458660-01	2							
13	COPPER TUBE(A)-HIGH SIDE		358893-01	1							
14	TEE	8.16DIAx6.5DIAx6.5DIA	420041-03	1							
15	PRESSURE SWITCH	SEP-P180HHD-1	459863-02	1							
16	DRIER	DY-15QHD-2	458773-01	-							
17	TIE	RT30SSF5	457167-01	2							
18	PROCESS TUBE - HIGH SIDE		466290-01	-							
19	HEAT EXCHANGER		241757G01	1							
20	COPPER TUBE - CAPILLARY		463885-02	1							
21	REDUCER	9.52x8	421904-17	1							
22	PROCESS TUBE - LOW SIDE		466291-01	1							
23	INSULATION TUBE	L=300	7762-1030	1							
24	CABLE TIE	CV-100	7920-0002	3							
25	CABLE TIE	CV-150	7920-0003	12							
26	BUTYL TAPE	No.152A,L=100	115587-28	1							
27											
28	DRIER	DY-12QHD-3	445655-04	1							
29	CHARGE TUBE	L=72	469826-01	1							

FM-120EE, FM-120E, CM-110E,
 FM-120EE-N, CM-110EE,
 FM-120EE-50, FM-120EE-50-N

C. ICE MAKING UNIT

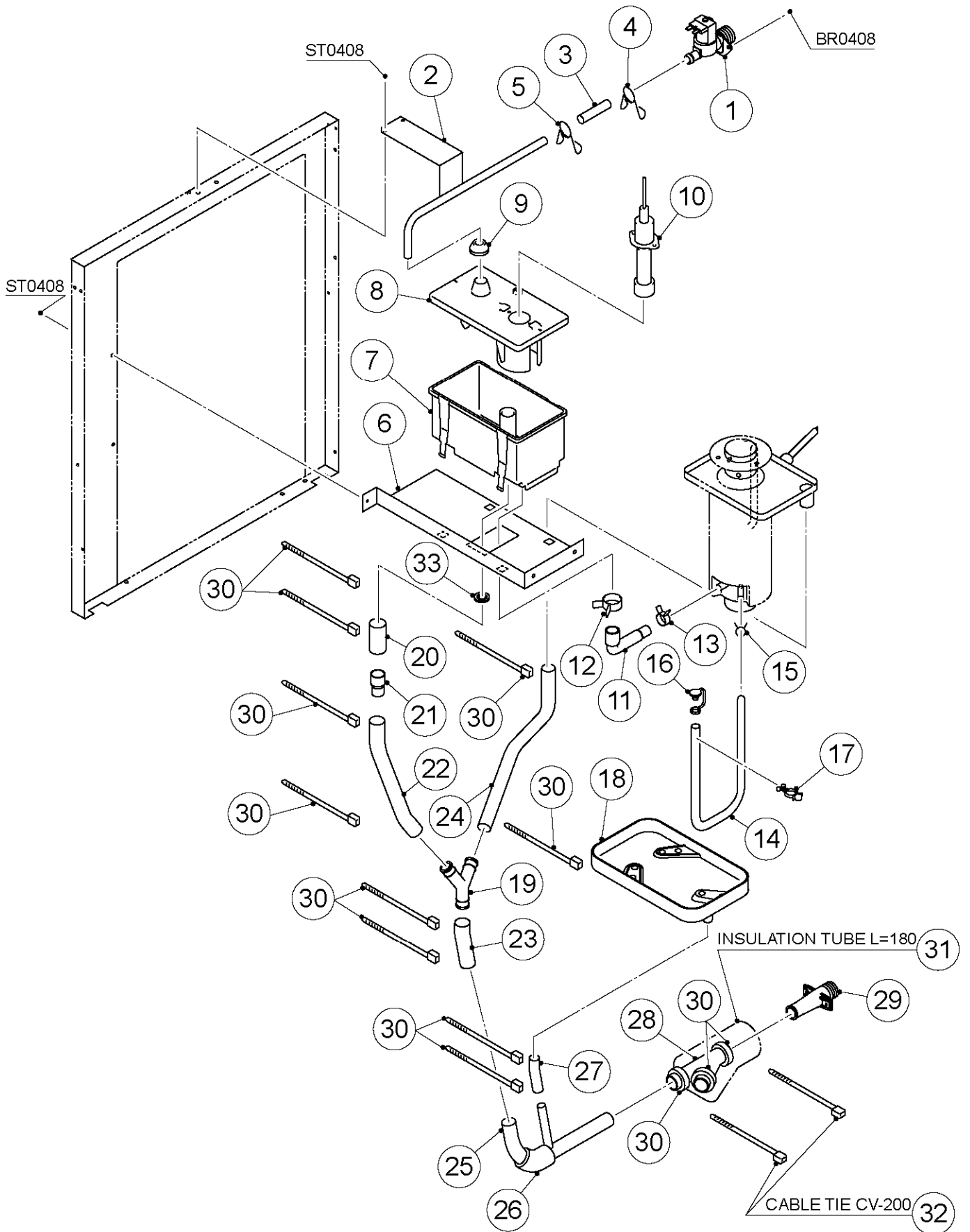
(D-1)



FM-120EE, FM-120E, CM-110E,
FM-120EE-N, CM-110EE,
FM-120EE-50, FM-120EE-50-N

D. WATER CIRCUIT

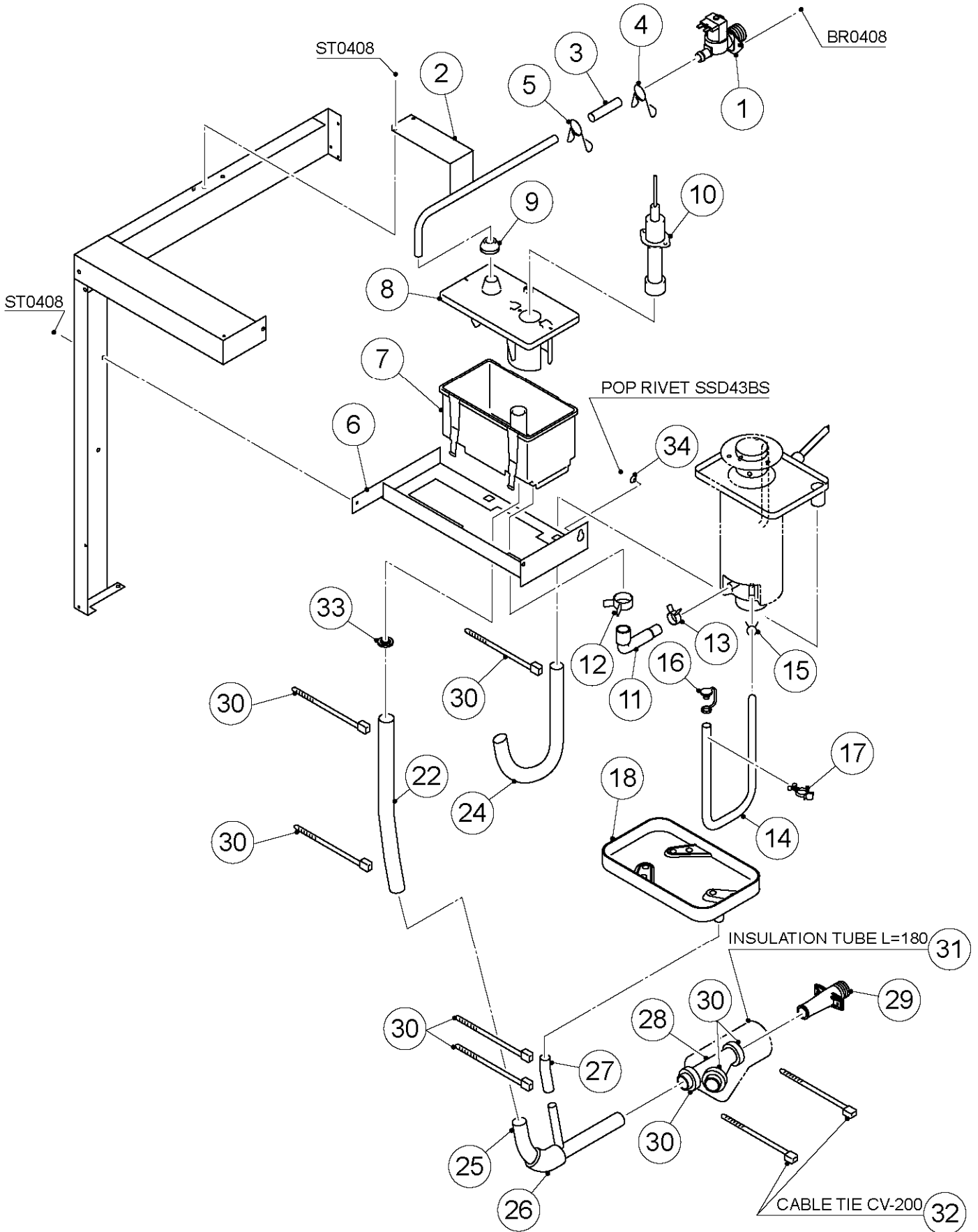
(D-1)(E-0)



FM-120EE, FM-120E, CM-110E,
 FM-120EE-N, CM-110EE,
 FM-120EE-50, FM-120EE-50-N

D. WATER CIRCUIT

(E-1)



HE

MODEL: FM-120EE(-N) , CM-110EE, FM-120EE-50(-N), FM-120E, CM-110E								TITLE: D. WATER CIRCUIT			
INDEX NO.	DESCRIPTION	MATERIAL OR MODEL NUMBER	PART NUMBER	REQ'D NUMBER							
				D-1	E-0	E-1	F-0				
1	WATER VALVE		452993-01	1	1	1	1				
2	WATER SUPPLY PIPE		358887G01	1	1	1	1				
3	SILICONE HOSE	L=60	7730-1114	1	1	1	1				
4	HOSE CLAMP	SK-15	435934-03	1	1	1	1				
5	HOSE CLAMP	SK-14	435934-02	1	1	1	1				
6	RESERVOIR BRACKET		358889-01	1	1	-					
			362979-01			1	1				
7	RESERVOIR		232626-01	1	1	1	1				
8	RESERVOIR COVER		232627-01	1	1	1	1				
9	COVER RESERVOIR INLET		415094-01	1	1	1	1				
10	FLOAT SWITCH		458279-02	1	1	1	1				
11	HOSE		458308-01	1	1	1	1				
12	CLIP BAND	T21	423866-08	1	1	1	1				
13	CLIP BAND	T15	423866-04	1	1	1	1				
14	SOFT PVC HOSE	L=500	7716-0913	1	1	1	1				
15	HOSE CLAMP	SK-13	435934-01	1	1	1	1				
16	CAP		431689-01	1	1	1	1				
17	CLAMP	No.249	427902-03	1	1	1	1				
18	DRAIN PAN		318155-01	1	1	1	1				
19	Y JOINT		431347-01	1	1	-					
20	VINYL HOSE	L=50	7711-2226	1	1	-					
21	REDUCER	22.23DIAx19.05DIA	421904-14	1	1	-					
22	VINYL HOSE	L=190	7711-2024	1	1	-					
		L=330	7711-2226			1	1				
23	VINYL HOSE	L=80	7711-2024	1	1	-					
24	VINYL HOSE	L=340	7711-1821	1	1	-					
		L=440	7711-1923			1	1				
25	DRAIN PIPE(A)		466285G01	1	1	1	1				
26	INSULATION TUBE	L=60	7762-2343	1	1	1	1				
27	VINYL HOSE	L=60	7711-1216	1	1	1	1				
28	DRAIN JOINT		358882-01	1	1	1	1				
29	DRAIN PIPE		321035-01	1	1	1	1				
30	CABLE TIE	CV-150	7920-0003	13	13	8	8				
31	INSULATION TUBE	L=180	7762-2636	1	1	1	1				
32	CABLE TIE	CV-200	7920-0010	2	2	2	2				
33	FILTER		464377G01	1	1	-					
			4X1497G01			1	1				
34	TAPER COLLAR		4H0171-01			1	1				

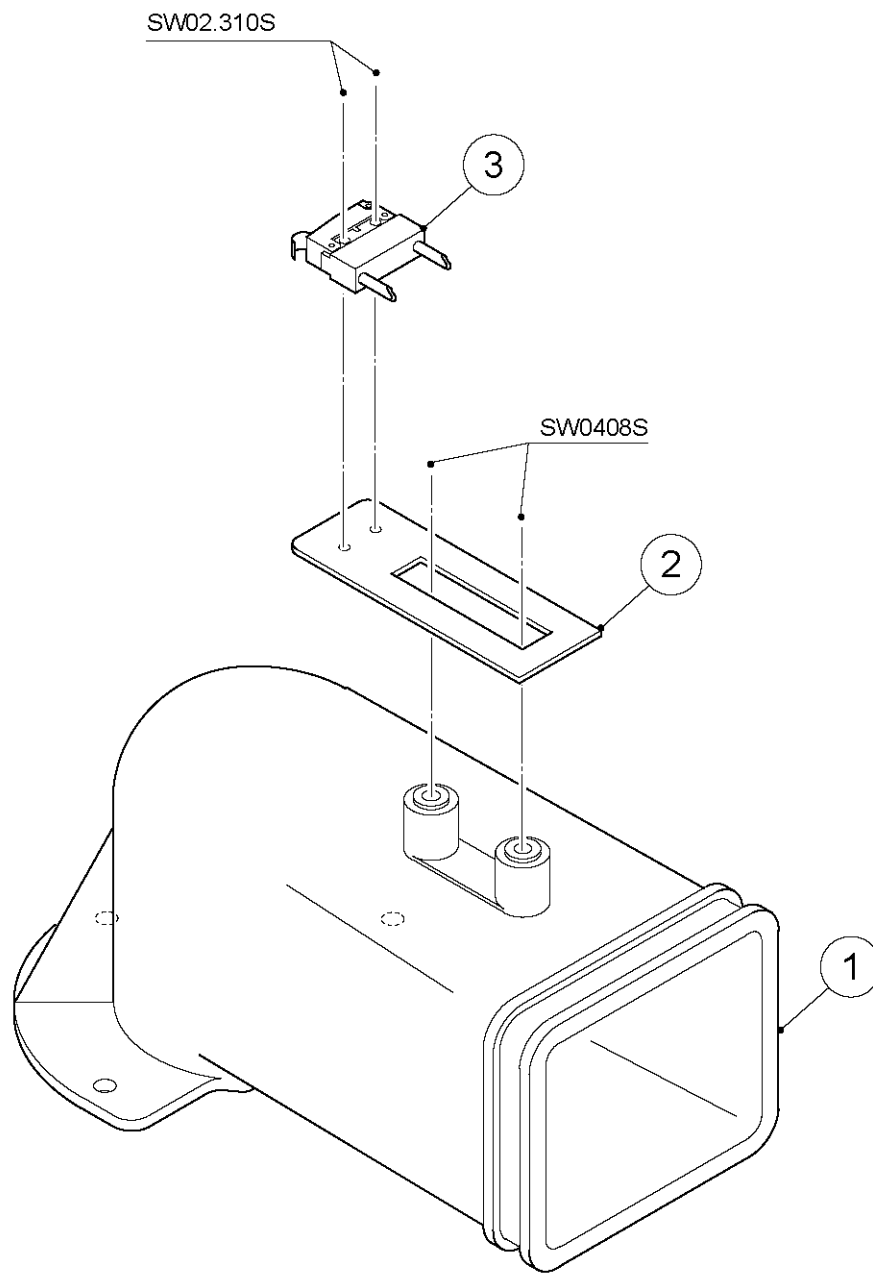
HE

MODEL: FM-120EE(-N) , CM-110EE, FM-120EE-50(-N), FM-120E, CM-110E								TITLE: D. WATER CIRCUIT			
INDEX NO.	DESCRIPTION	MATERIAL OR MODEL NUMBER	PART NUMBER	REQ'D NUMBER							
				F-1							
1	WATER VALVE		452993-01	1							
2	WATER SUPPLY PIPE		358887G01	1							
3	SILICONE HOSE	L=60	7730-1114	1							
4	HOSE CLAMP	SK-15	435934-03	1							
5	HOSE CLAMP	SK-14	435934-02	1							
6	RESERVOIR BRACKET		362979-01	1							
7	RESERVOIR		232626-01	1							
8	RESERVOIR COVER		232627-01	1							
9	COVER RESERVOIR INLET		415094-01	1							
10	FLOAT SWITCH		458279-02	1							
11	HOSE		458308-01	1							
12	CLIP BAND	T21	423866-08	1							
13	CLIP BAND	T15	423866-04	1							
14	SOFT PVC HOSE	L=500	7716-0913	1							
15	HOSE CLAMP	SK-13	435934-01	1							
16	CAP		431689-01	1							
17	CLAMP	No.249	427902-03	1							
18	DRAIN PAN		318155-01	1							
19											
20											
21											
22	VINYL HOSE	L=330	7711-2226	1							
23											
24	VINYL HOSE	L=440	7711-1923	1							
25	DRAIN PIPE(A)		466285G01	1							
26	INSULATION TUBE	L=60	7762-2343	1							
27	VINYL HOSE	L=60	7711-1216	1							
28	DRAIN JOINT		358882-01	1							
29	DRAIN PIPE		321035-01	1							
30	CABLE TIE	CV-150	7920-0003	8							
31	INSULATION TUBE	L=180	7762-2636	1							
32	CABLE TIE	CV-200	7920-0010	2							
33	FILTER		4X1497G01	1							
34	TAPER COLLAR		4H0171-01	1							

FM-120EE, FM-120E, CM-110E,
FM-120EE-N, CM-110EE,
FM-120EE-50, FM-120EE-50-N

E. SPOUT ASSY

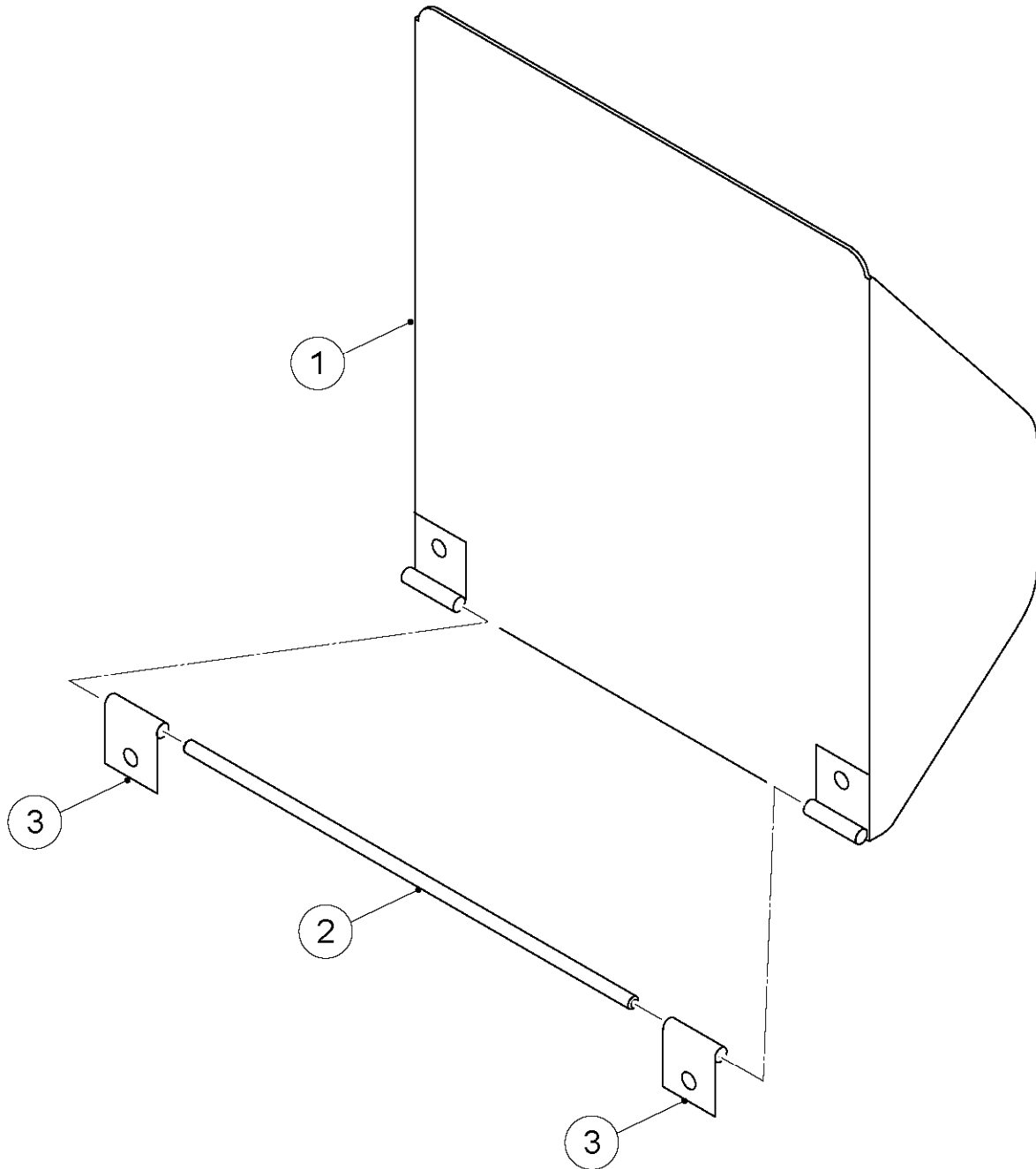
(D-1)-

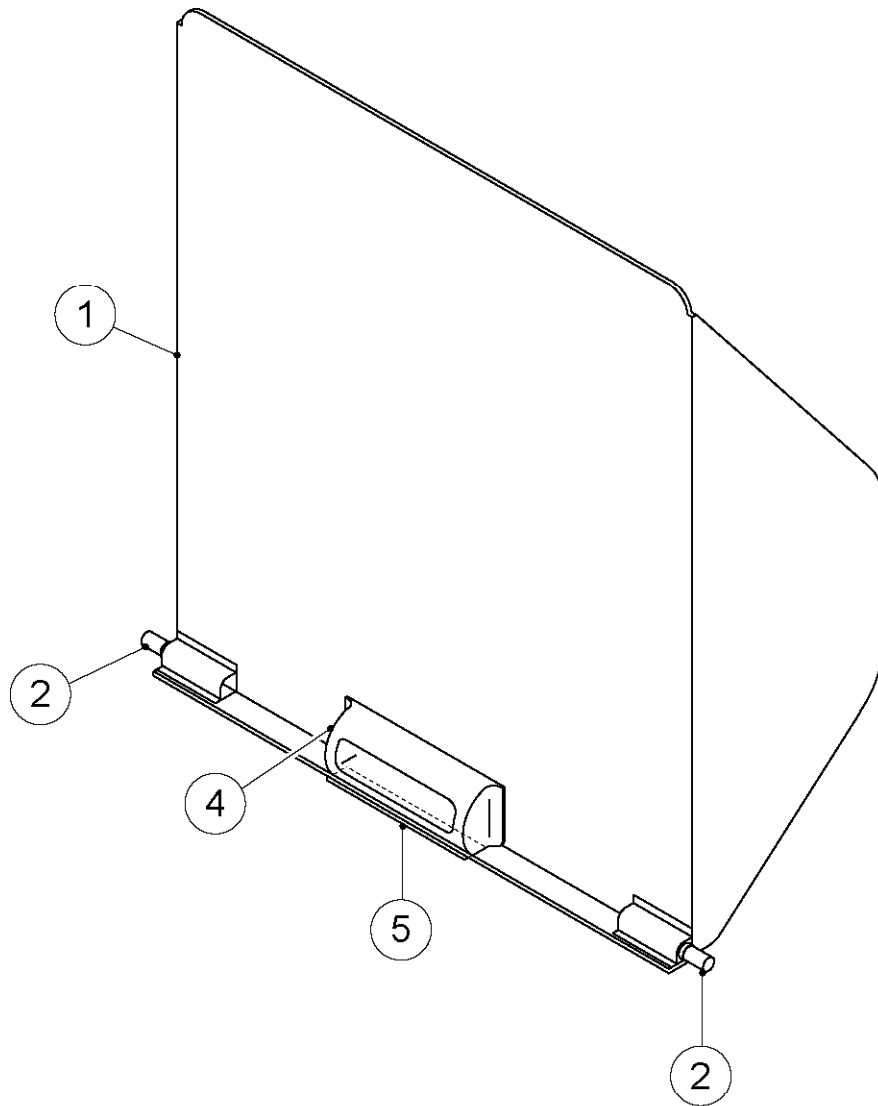


FM-120EE, FM-120E, CM-110E,
FM-120EE-N, CM-110EE,
FM-120EE-50, FM-120EE-50-N

F. SLOPE ASSY

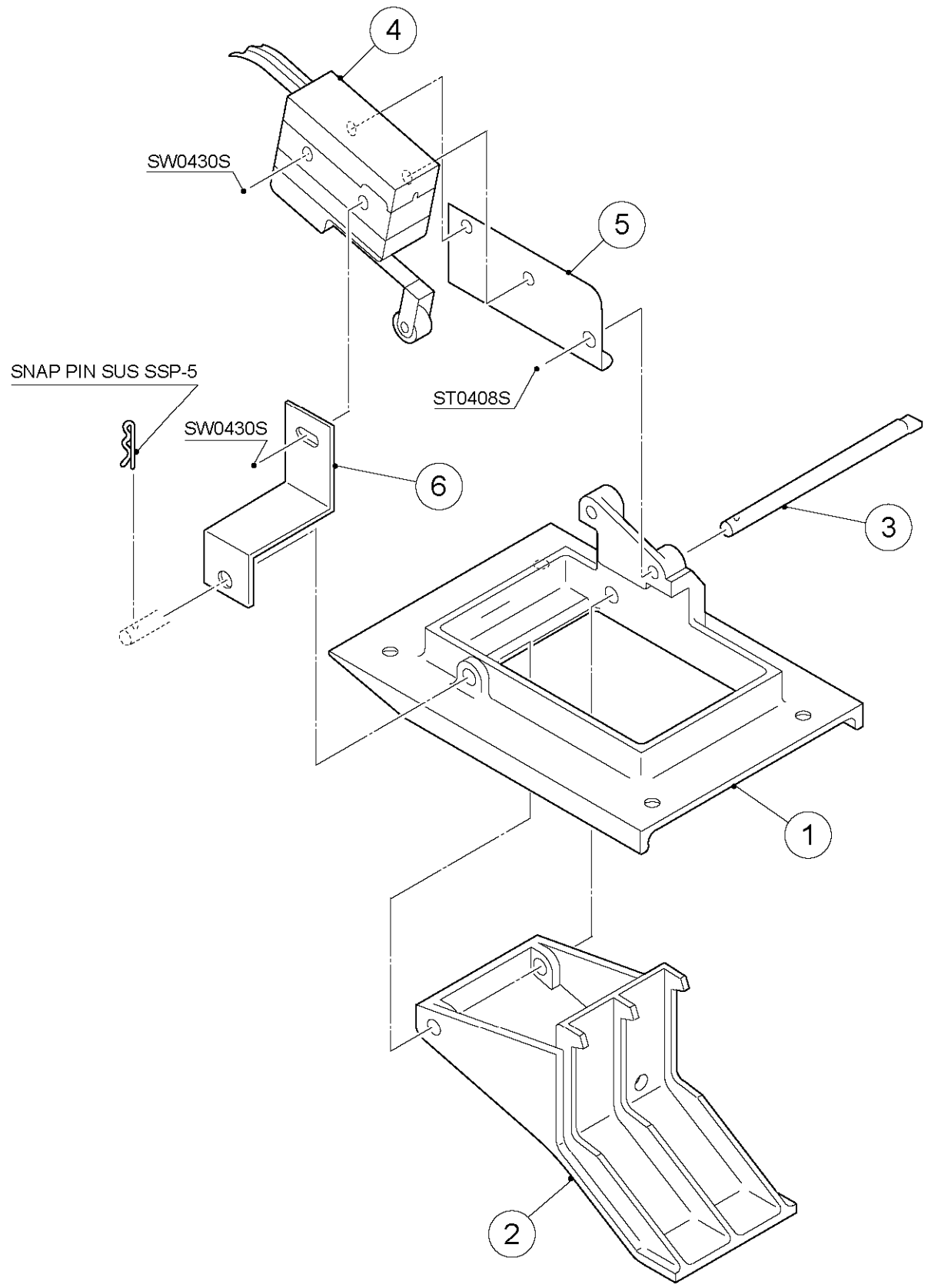
(D-1)(E-0)





FM-120EE, FM-120E, CM-110E,
FM-120EE-N, CM-110EE,
FM-120EE-50, FM-120EE-50-N

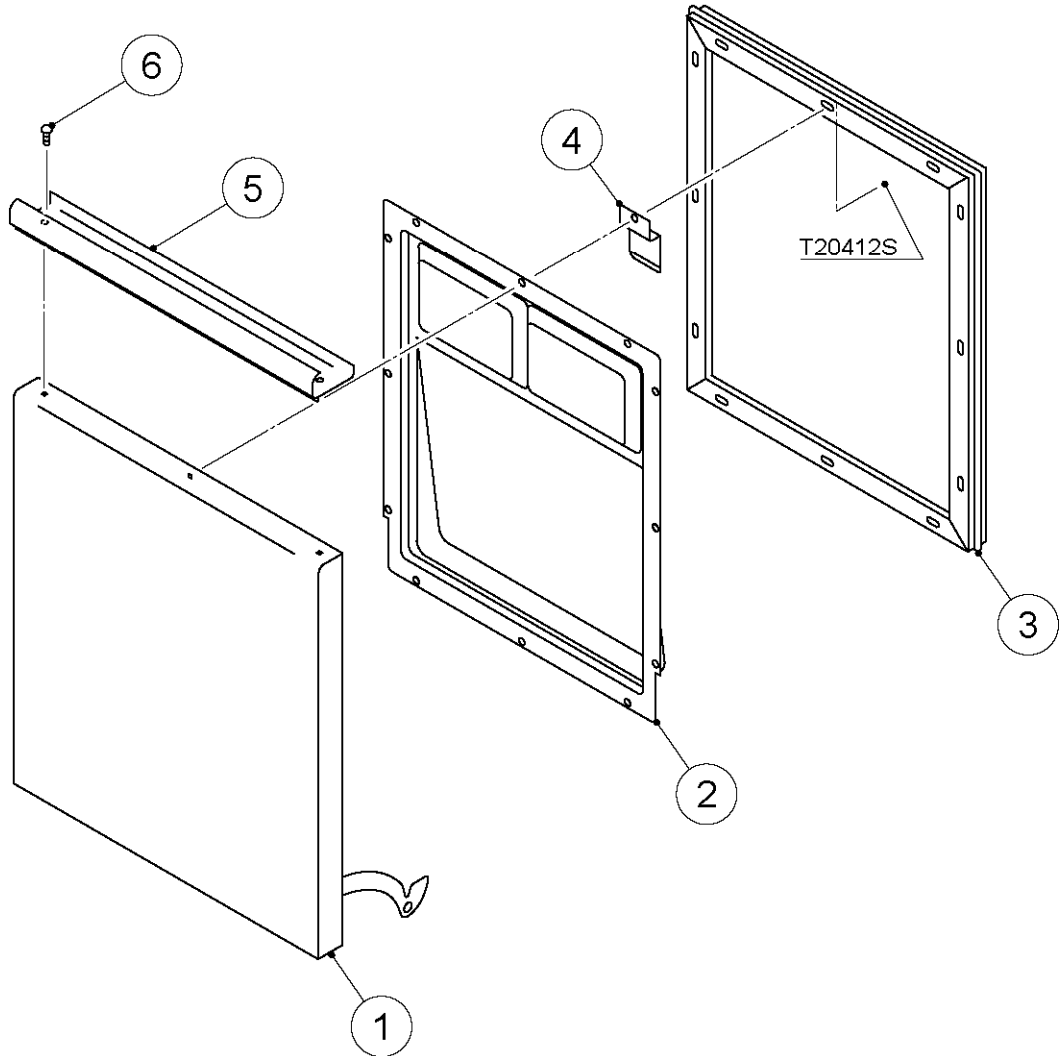
G. BIN SWITCH ASSY



FM-120EE, FM-120E, CM-110E,
FM-120EE-N, CM-110EE,
FM-120EE-50, FM-120EE-50-N

H. DOOR ASSY

(D-1)



HE

MODEL: FM-120EE(-N) , CM-110EE, FM-120EE-50(-N), FM-120E, CM-110E								TITLE : H. DOOR ASSY			
INDEX NO.	DESCRIPTION	MATERIAL OR MODEL NUMBER	PART NUMBER	REQ'D NUMBER							
				D-1	E-0	E-1	F-0				
1	DOOR	FM-120EE FM-120EE-N CM-110EE FM-120E CM-110E	358878G01	1	1	1	1				
		FM-120EE-50 FM-120EE-50-N	358926G01	1	1	1	1				
2	REVERSE COVER	FM-120EE FM-120EE-N CM-110EE FM-120E CM-110E	311002-01	1	1	1	1				
		FM-120EE-50 FM-120EE-50-N	312697-01	1	1	1	1				
3	GASKET	FM-120EE FM-120EE-N CM-110EE FM-120E CM-110E	311003-01	1	1	1	1				
		FM-120EE-50 FM-120EE-50-N	312698-01	1	1	1	1				
4	CATCH-SLOPE		430661-01	1	1	-					
			4H0439-01			1	1				
5	HANDLE	FM-120EE FM-120EE-N CM-110EE FM-120E CM-110E	358879-01	1	1	1	1				
		FM-120EE-50 FM-120EE-50-N	358879-02	1	1	1	1				
6	TAPPING SCREW-BLACK	FM-120EE FM-120EE-N CM-110EE FM-120E CM-110E	433954-02	2	2	2	2				
		FM-120EE-50 FM-120EE-50-N		4	4	4	4				

HE

MODEL: FM-120EE(-N) , CM-110EE, FM-120EE-50(-N), FM-120E, CM-110E								TITLE : H. DOOR ASSY			
INDEX NO.	DESCRIPTION	MATERIAL OR MODEL NUMBER	PART NUMBER	REQ'D NUMBER							
				F-1							
1	DOOR	FM-120EE FM-120EE-N CM-110EE	358878G01	-							
		FM-120E CM-110E	364511G01	1							
		FM-120EE-50 FM-120EE-50-N	358926G01	1							
2	REVERSE COVER	FM-120EE FM-120EE-N CM-110EE	311002-01	1							
		FM-120E CM-110E									
		FM-120EE-50 FM-120EE-50-N	312697-01	1							
3	GASKET	FM-120EE FM-120EE-N CM-110EE	311003-01	1							
		FM-120E CM-110E									
		FM-120EE-50 FM-120EE-50-N	312698-01	1							
4	CATCH-SLOPE		4H0439-01	1							
5	HANDLE	FM-120EE FM-120EE-N CM-110EE	358879-01	1							
		FM-120E CM-110E									
		FM-120EE-50 FM-120EE-50-N	358879-02	1							
6	TAPPING SCREW-BLACK	FM-120EE FM-120EE-N CM-110EE	433954-02	2							
		FM-120E CM-110E									
		FM-120EE-50 FM-120EE-50-N		4							

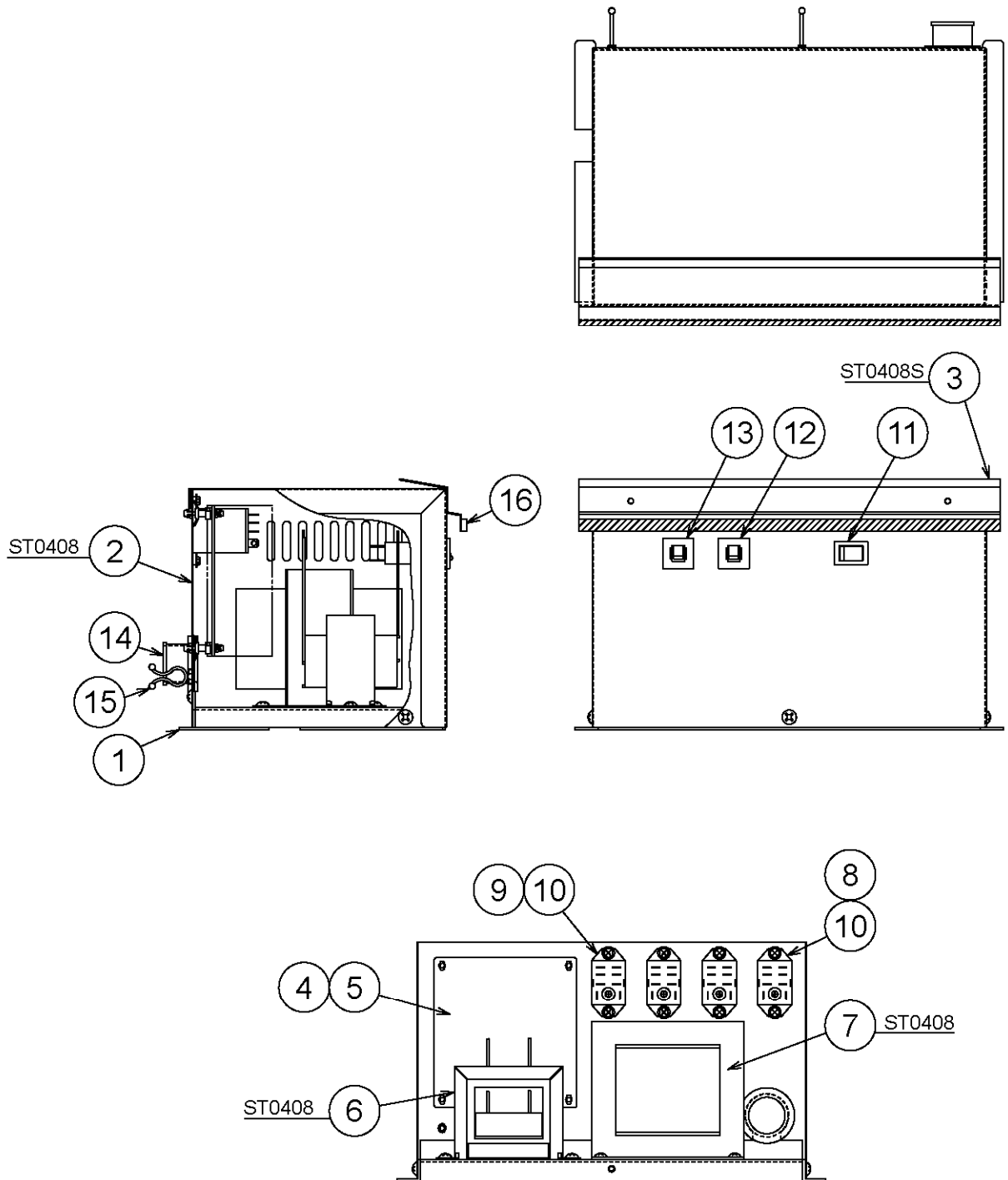
FM-120EE, FM-120E, CM-110E,

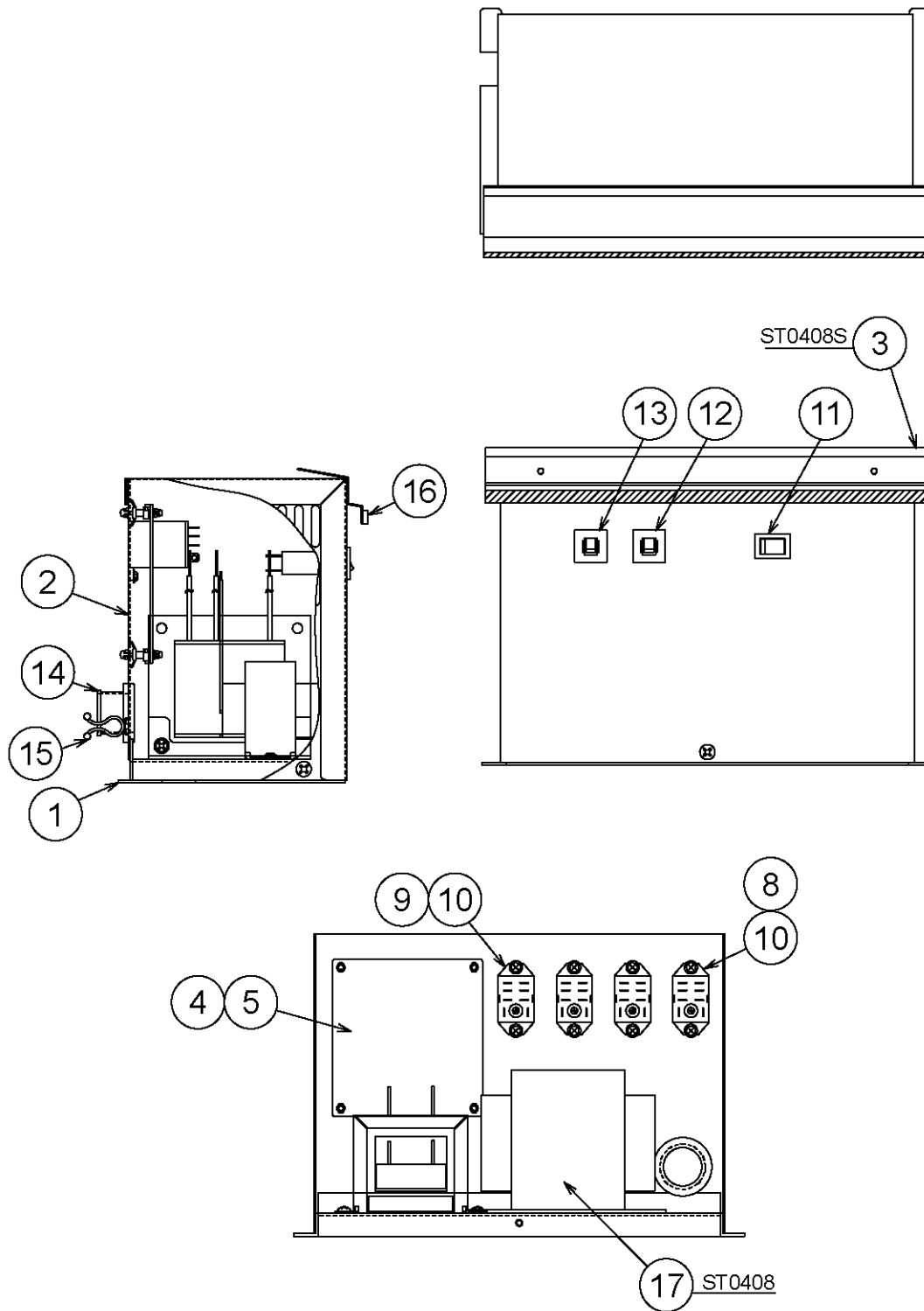
FM-120EE-N, CM-110EE,

FM-120EE-50, FM-120EE-50-N

J. CONTROL BOX ASSY

(D-1)-(F-0)

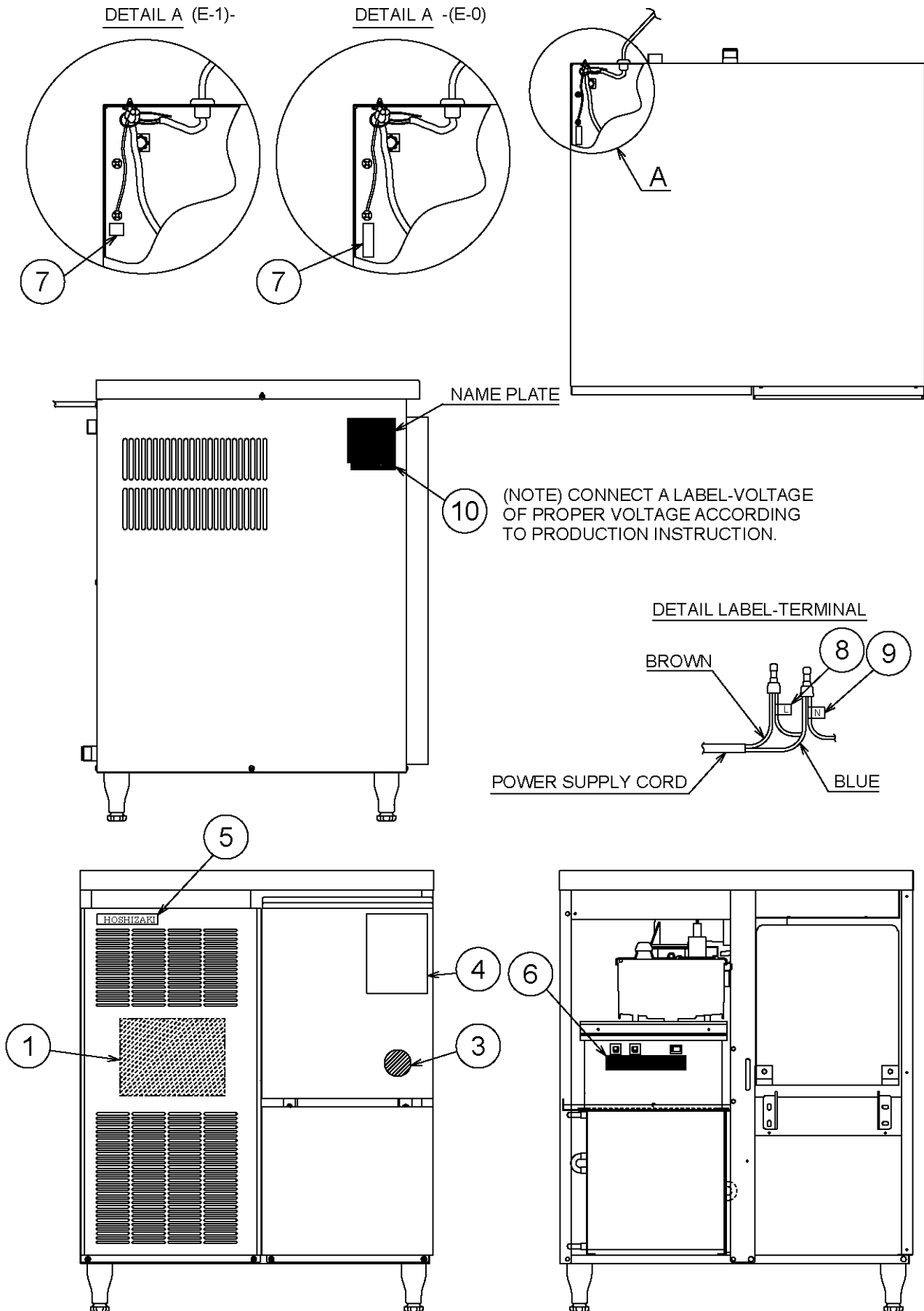




FM-120EE, FM-120E, CM-110E,
 FM-120EE-N, CM-110EE,
 FM-120EE-50, FM-120EE-50-N

K. LABEL LOCATION

(D-1)



HE

MODEL: FM-120EE(-N) , CM-110EE, FM-120EE-50(-N), FM-120E, CM-110E								TITLE: K. LABEL LOCATION			
INDEX NO.	DESCRIPTION	MATERIAL OR MODEL NUMBER	PART NUMBER	REQ'D NUMBER							
				D-1	E-0	E-1	F-0				
1	WIRING LABEL	FM-120EE (E2EB)	358947-01	1	1	1	1				
		FM-120EE (E2EB-C161)	360590-01	1	1	1	1				
		FM-120EE-N (E2EB-C105)	358947-01	1	1	1	1				
		CM-110EE (E2EB-C103)	358947-01	1	1	1	1				
		FM-120EE-50 (E2EB-C127)	358947-01	1	1	1	1				
		FM-120EE-50 (E2EB-C171)	360590-01	1	1	1	1				
		FM-120EE-50-N (E2EB-C129)	358947-01	1	1	1	1				
		FM-120E (E2EB-C043)	360590-01	1	1	1	1				
		FM-120E (E2EB-C122)	360590-01	1	1	1	1				
		FM-120E (E2EB-C124)	360590-01	1	1	1	1				
		CM-110E (E2EB-D011)	360590-01	1	1	1	1				
		CM-110E (E2EB-D012)	360590-01	1	1	1	1				
3	LABEL-PENGUIN(L)		454387-02	1	1	1	1				
4	MAINTENANCE LABEL	FM-120EE (E2EB)	455837-01	1	1	1	1				
		FM-120EE (E2EB-C161)	467936-01	1	1	1	1				
		FM-120EE-N (E2EB-C105)	455837-01	1	1	1	1				
		CM-110EE (E2EB-C103)	455837-01	1	1	1	1				
		FM-120EE-50 (E2EB-C127)	455837-01	1	1	1	1				
		FM-120EE-50 (E2EB-C171)	467936-01	1	1	1	1				
		FM-120EE-50-N (E2EB-C129)	455837-01	1	1	1	1				
		FM-120E (E2EB-C043)	455837-01	1	1	1	1				
		FM-120E (E2EB-C122)	455837-01	1	1	1	1				
		FM-120E (E2EB-C124)	455837-01	1	1	1	1				
		CM-110E (E2EB-D011)	455837-01	1	1	1	1				
		CM-110E (E2EB-D012)	455837-01	1	1	1	1				

HE

MODEL: FM-120EE(-N) , CM-110EE, FM-120EE-50(-N), FM-120E, CM-110E								TITLE: K. LABEL LOCATION			
INDEX NO.	DESCRIPTION	MATERIAL OR MODEL NUMBER	PART NUMBER	REQ'D NUMBER							
				F-1							
1	WIRING LABEL	FM-120EE (E2EB)	358947-01	-							
			366973-01	1							
		FM-120EE (E2EB-C161)	360590-01	-							
			366974-01	1							
		FM-120EE-N (E2EB-C105)	358947-01	-							
			366973-01	1							
		CM-110EE (E2EB-C103)	358947-01	-							
			366973-01	1							
		FM-120EE-50 (E2EB-C127)	358947-01	-							
			366973-01	1							
		FM-120EE-50 (E2EB-C171)	360590-01	-							
			366973-01	1							
		FM-120EE-50-N (E2EB-C129)	358947-01	-							
			366973-01	1							
		FM-120E (E2EB-C043)	360590-01	-							
	366974-01	1									
FM-120E (E2EB-C122)	360590-01	-									
	366974-01	1									
FM-120E (E2EB-C124)	360590-01	-									
	366974-01	1									
CM-110E (E2EB-D011)	360590-01	-									
	366974-01	1									
CM-110E (E2EB-D012)	360590-01	-									
	366974-01	1									
3	LABEL-PENGUIN(L)		454387-02	1							
4	MAINTENANCE LABEL	FM-120EE (E2EB)	455837-01	1							
		FM-120EE (E2EB-C161)	467936-01	1							
		FM-120EE-N (E2EB-C105)	455837-01	1							
		CM-110EE (E2EB-C103)	455837-01	1							
		FM-120EE-50 (E2EB-C127)	455837-01	1							
		FM-120EE-50 (E2EB-C171)	467936-01	1							
		FM-120EE-50-N (E2EB-C129)	455837-01	1							
		FM-120E (E2EB-C043)	455837-01	1							
		FM-120E (E2EB-C122)	455837-01	1							
		FM-120E (E2EB-C124)	455837-01	1							
		CM-110E (E2EB-D011)	455837-01	1							
		CM-110E (E2EB-D012)	455837-01	1							

HE

MODEL: FM-120EE(-N) , CM-110EE, FM-120EE-50(-N), FM-120E, CM-110E								TITLE: K. LABEL LOCATION			
INDEX NO.	DESCRIPTION	MATERIAL OR MODEL NUMBER	PART NUMBER	REQ'D NUMBER							
				D-1	E-0	E-1	F-0				
5	EMBLEM-HE		459843-01	1	1	-					
			356509-01			1	1				
6	OPERATION LABEL		450492-01	1	1	1	1				
7	LABEL-GROUND		451712-01	1	1	-					
			450452-02			1	1				
8	LABEL-TERMINAL		452379-03	1	1	1	1				
9	LABEL-TERMINAL		452379-04	1	1	1	1				
10	LABEL-VOLTAGE (NOTE) CONNECT A LABEL-VOLTAGE OF PROPER VOLTAGE ACCORDING TO PRODUCTION INSTRUCTION.	FM-120E (E2EB-C122)	427337-01	1	1	1	1				
		CM-110E (E2EB-D012)									
		FM-120E (E2EB-C043)									
		CM-110E (E2EB-D011)									
		FM-120E (E2EB-C043)	427337-02	1	1	1	1				
		CM-110E (E2EB-D011)									
		FM-120E (E2EB-C124)	427337-03	1	1	1	1				
		FM-120E (E2EB-C043)									
		CM-110E (E2EB-D011)									
		FM-120E (E2EB-C043)	427337-04	1	1	1	1				
		CM-110E (E2EB-D011)									
		FM-120EE (E2EB-C161)	427337-05	1	1	1	1				
		FM-120EE-50 (E2EB-C171)									
		FM-120E (E2EB-C043)									
CM-110E (E2EB-D011)											

HE

MODEL: FM-120EE(-N) , CM-110EE, FM-120EE-50(-N), FM-120E, CM-110E								TITLE: K. LABEL LOCATION			
INDEX NO.	DESCRIPTION	MATERIAL OR MODEL NUMBER	PART NUMBER	REQ'D NUMBER							
				D-1	E-0	E-1	F-0				
5	EMBLEM-HE		459843-01	1	1	-					
			356509-01			1	1				
6	OPERATION LABEL		450492-01	1	1	1	1				
7	LABEL-GROUND		451712-01	1	1	-					
			450452-02			1	1				
8	LABEL-TERMINAL		452379-03	1	1	1	1				
9	LABEL-TERMINAL		452379-04	1	1	1	1				
10	LABEL-VOLTAGE (NOTE) CONNECT A LABEL-VOLTAGE OF PROPER VOLTAGE ACCORDING TO PRODUCTION INSTRUCTION.	FM-120E (E2EB-C122)	427337-01	1	1	1	1				
		CM-110E (E2EB-D012)									
		FM-120E (E2EB-C043)									
		CM-110E (E2EB-D011)									
		FM-120E (E2EB-C043)	427337-02	1	1	1	1				
		CM-110E (E2EB-D011)									
		FM-120E (E2EB-C124)	427337-03	1	1	1	1				
		FM-120E (E2EB-C043)									
		CM-110E (E2EB-D011)									
		FM-120E (E2EB-C043)	427337-04	1	1	1	1				
		CM-110E (E2EB-D011)									
		FM-120EE (E2EB-C161)	427337-05	1	1	1	1				
		FM-120EE-50 (E2EB-C171)									
		FM-120E (E2EB-C043)									
		CM-110E (E2EB-D011)									

HE

MODEL: FM-120EE(-N) , CM-110EE, FM-120EE-50(-N), FM-120E, CM-110E								TITLE: K. LABEL LOCATION			
INDEX NO.	DESCRIPTION	MATERIAL OR MODEL NUMBER	PART NUMBER	REQ'D NUMBER							
				F-1							
5	EMBLEM-HE		356509-01	1							
6	OPERATION LABEL		450492-01	1							
7	LABEL-GROUND		450452-02	1							
8	LABEL-TERMINAL		452379-03	1							
9	LABEL-TERMINAL		452379-04	1							
10	LABEL-VOLTAGE (NOTE) CONNECT A LABEL-VOLTAGE OF PROPER VOLTAGE ACCORDING TO PRODUCTION INSTRUCTION.	FM-120E (E2EB-C122)	427337-01	1							
		CM-110E (E2EB-D012)									
		FM-120E (E2EB-C043)									
		CM-110E (E2EB-D011)									
		FM-120E (E2EB-C043)	427337-02	1							
		CM-110E (E2EB-D011)									
		FM-120E (E2EB-C124)	427337-03	1							
		FM-120E (E2EB-C043)									
		CM-110E (E2EB-D011)									
		FM-120E (E2EB-C043)	427337-04	1							
		CM-110E (E2EB-D011)									
		FM-120EE (E2EB-C161)	427337-05	1							
		FM-120EE-50 (E2EB-C171)									
		FM-120E (E2EB-C043)									
CM-110E (E2EB-D011)											

HE

MODEL: FM-120EE(-N) , CM-110EE, FM-120EE-50(-N), FM-120E, CM-110E								TITLE: K. LABEL LOCATION			
INDEX NO.	DESCRIPTION	MATERIAL OR MODEL NUMBER	PART NUMBER	REQ'D NUMBER							
				F-1							
5	EMBLEM-HE		356509-01	1							
6	OPERATION LABEL		450492-01	1							
7	LABEL-GROUND		450452-02	1							
8	LABEL-TERMINAL		452379-03	1							
9	LABEL-TERMINAL		452379-04	1							
10	LABEL-VOLTAGE (NOTE) CONNECT A LABEL-VOLTAGE OF PROPER VOLTAGE ACCORDING TO PRODUCTION INSTRUCTION.	FM-120E (E2EB-C122)	427337-01	1							
		CM-110E (E2EB-D012)									
		FM-120E (E2EB-C043)									
		CM-110E (E2EB-D011)									
		FM-120E (E2EB-C043)	427337-02	1							
		CM-110E (E2EB-D011)									
		FM-120E (E2EB-C124)	427337-03	1							
		FM-120E (E2EB-C043)									
		CM-110E (E2EB-D011)									
		FM-120E (E2EB-C043)	427337-04	1							
		CM-110E (E2EB-D011)									
		FM-120EE (E2EB-C161)	427337-05	1							
		FM-120EE-50 (E2EB-C171)									
		FM-120E (E2EB-C043)									
		CM-110E (E2EB-D011)									

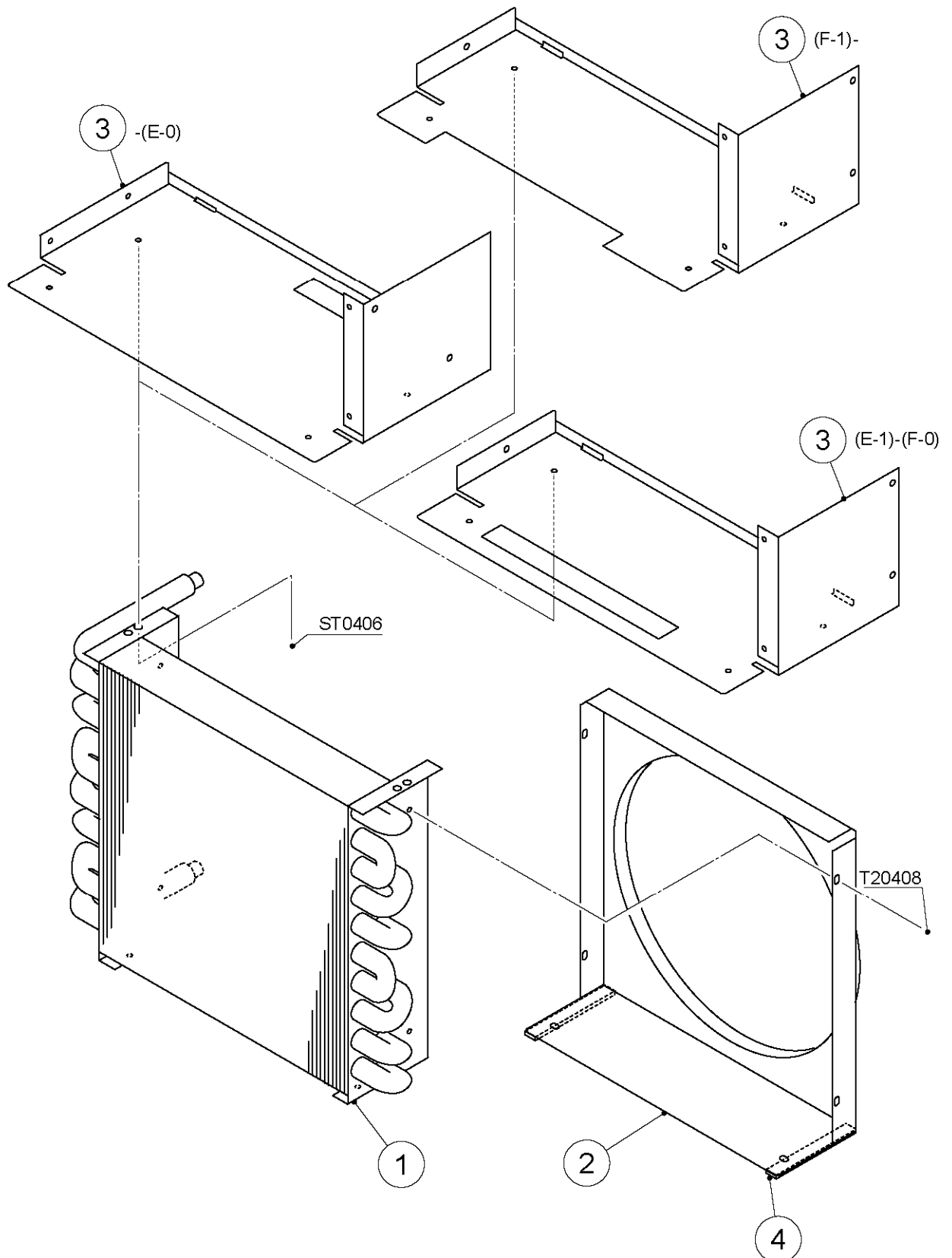
FM-120EE, FM-120E, CM-110E,

FM-120EE-N, CM-110EE,

FM-120EE-50, FM-120EE-50-N

L. CONDENSER ASSY

(D-1)



(S-0950)

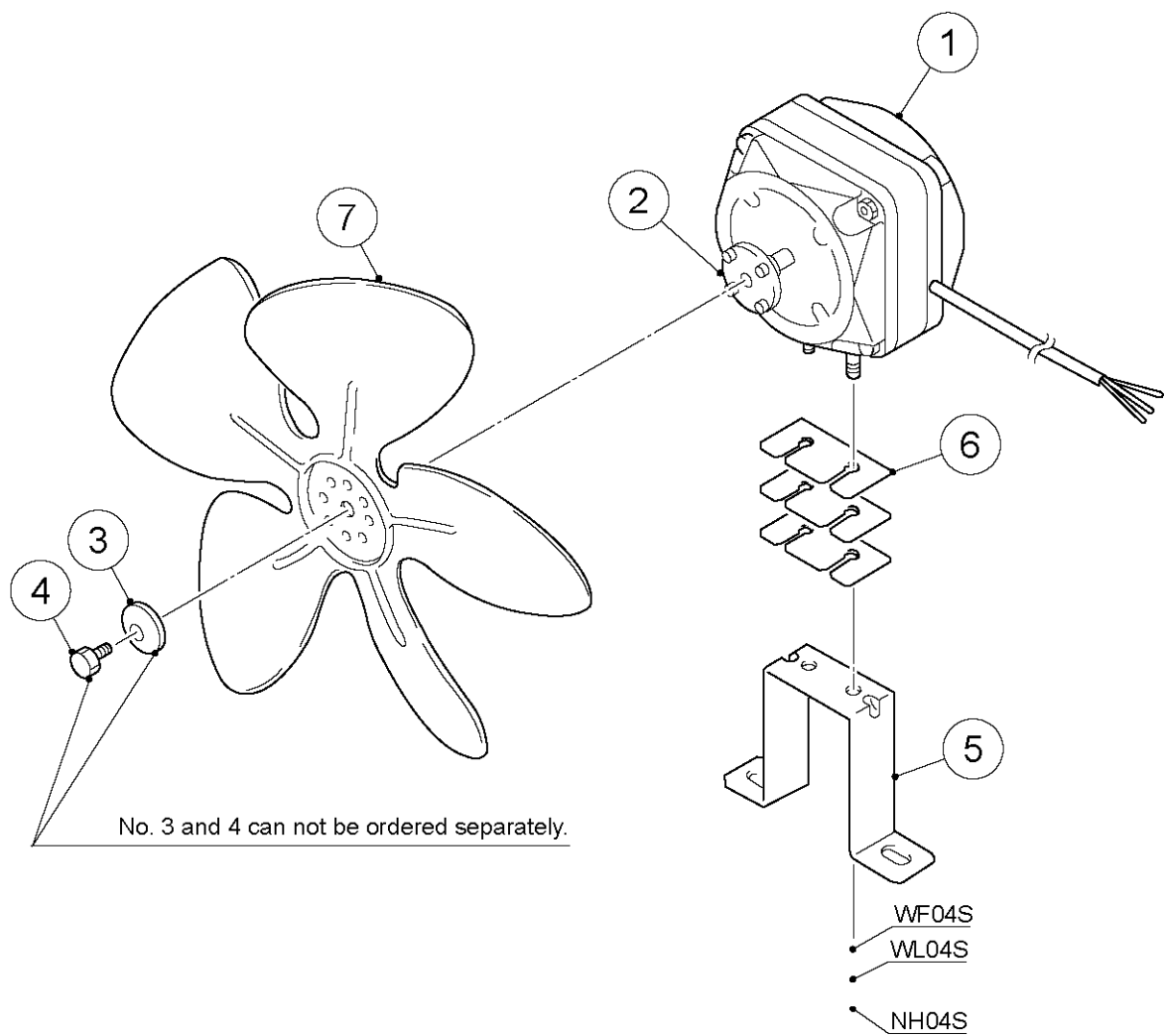
FM-120EE, FM-120E, CM-110E,

FM-120EE-N, CM-110EE,

FM-120EE-50, FM-120EE-50-N

M. FAN MOTOR ASSY

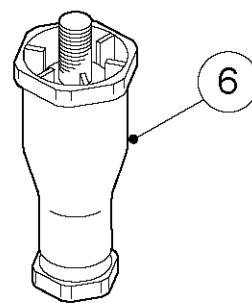
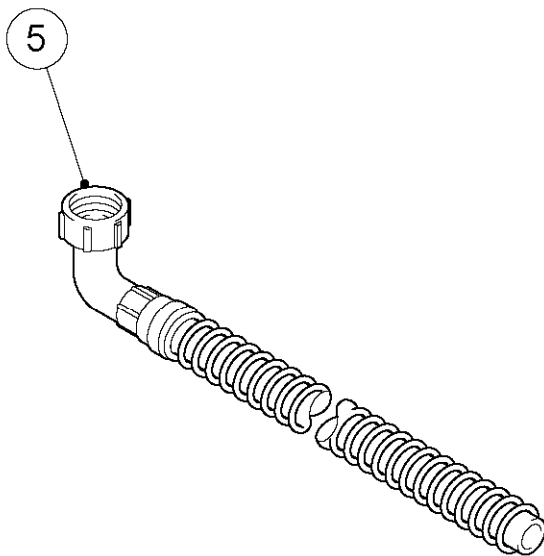
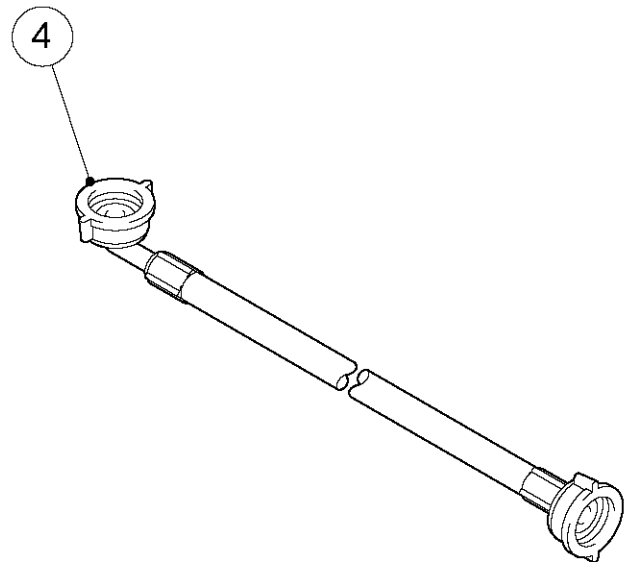
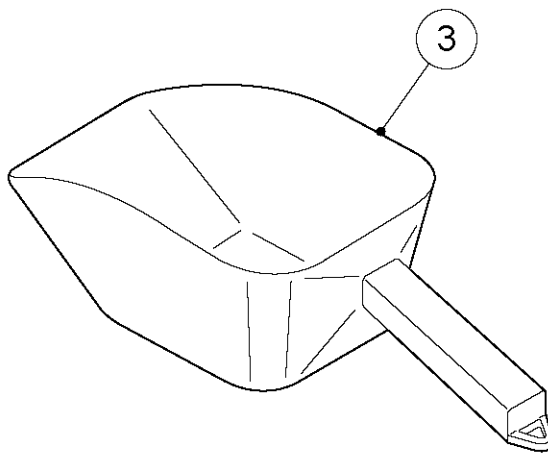
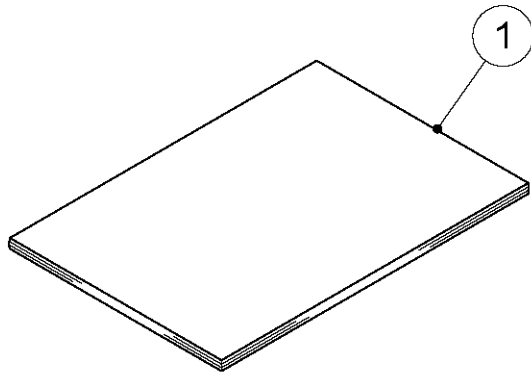
(D-1)



FM-120EE, FM-120E, CM-110E,
FM-120EE-N, CM-110EE,
FM-120EE-50, FM-120EE-50-N

N. ACCESSORIES

(D-1)-



HE

MODEL: FM-120EE(-N) , CM-110EE, FM-120EE-50(-N), FM-120E, CM-110E								TITLE : N. ACCESSORIES			
INDEX NO.	DESCRIPTION	MATERIAL OR MODEL NUMBER	PART NUMBER	REQ'D NUMBER							
				D-1	E-0	E-1	F-0				
1	INSTRUCTION MANUAL	FM-120EE	91E2EB20A	1	1	-					
		FM-120EE-N									
		CM-110EE	91E2EB20B				1	1			
		FM-120EE-50									
		FM-120EE-50-N									
		FM-120E	91E2EB10A	1	1	-					
		(E2EB-C043)	91E2EB10B			1	1				
		FM-120E	91E2EB30A	1	1	-					
		(E2EB-C122)	91E2EB30B			1	1				
		FM-120E	91E2EB10A	1	1	-					
		(E2EB-C124)	91E2EB10B			1	1				
		CM-110E	91E2EB10A	1	1	-					
(E2EB-D011)	91E2EB10B			1	1						
CM-110E	91E2EB30A	1	1	-							
(E2EB-D012)	91E2EB30B			1	1						
2	INSTALLATION MANUAL	FM-120EE	92E2EB20A	1	1	-					
		FM-120EE-N									
		CM-110EE	92E2EB20B			1	1				
		FM-120EE-50									
		FM-120EE-50-N									
		FM-120E	92E2EB10A	1	1	-					
		(E2EB-C043)	92E2EB10B			1	1				
		FM-120E	92E2EB30A	1	1	-					
		(E2EB-C122)	92E2EB30B			1	1				
		FM-120E	92E2EB10A	1	1	-					
		(E2EB-C124)	92E2EB10B			1	1				
		CM-110E	92E2EB10A	1	1	-					
(E2EB-D011)	92E2EB10B			1	1						
CM-110E	92E2EB30A	1	1	-							
(E2EB-D012)	92E2EB30B			1	1						
3	SCOOP		208185-01	1	1	1	1				
4	INLET HOSE		450722-01	1	1	1	1				
5	OUTLET HOSE		452365-01	1	1	1	1				
6	LEG		462576-01			4	4				

HE

MODEL: FM-120EE(-N) , CM-110EE, FM-120EE-50(-N), FM-120E, CM-110E								TITLE: N. ACCESSORIES			
INDEX NO.	DESCRIPTION	MATERIAL OR MODEL NUMBER	PART NUMBER	REQ'D NUMBER							
				F-1							
1	INSTRUCTION MANUAL	FM-120EE FM-120EE-N CM-110EE FM-120EE-50 FM-120EE-50-N	91E2EB20B	1							
		FM-120E (E2EB-C043)	91E2EB10B	1							
		FM-120E (E2EB-C122)	91E2EB30B	1							
		FM-120E (E2EB-C124)	91E2EB10B	1							
		CM-110E (E2EB-D011)	91E2EB10B	1							
		CM-110E (E2EB-D012)	91E2EB30B	1							
2	INSTALLATION MANUAL	FM-120EE FM-120EE-N CM-110EE FM-120EE-50 FM-120EE-50-N	92E2EB20B	1							
		FM-120E (E2EB-C043)	92E2EB10B	1							
		FM-120E (E2EB-C122)	92E2EB30B	1							
		FM-120E (E2EB-C124)	92E2EB10B	1							
		CM-110E (E2EB-D011)	92E2EB10B	1							
		CM-110E (E2EB-D012)	92E2EB30B	1							
3	SCOOP		208185-01	1							
4	INLET HOSE		450722-01	1							
5	OUTLET HOSE		452365-01	1							
6	LEG		462576-01	4							