



First Choice
Group

SPARE PARTS DIAGRAM FOR



HOSHIZAKI

Ice Machine

IM-100LE

IM-100LE-21

IM-100LE-23

IM-100LE-C

First Choice Group
Blakeney Way, Kingswood Lakeside
Cannock, Staffs, WS11 8LD
TEL: 01543 577778 FAX: 01543504141
Email: enquires@firstchoice-cs.co.uk
Web: www.firstchoice-cs.co.uk

NO. E1AM-1855

ISSUED: OCT.1999

REVISED: MAY.2012



HOSHIZAKI SELF-CONTAINED CUBER

MODEL **IM-100LE**
IM-100LE-21
IM-100LE-23
IM-100LE-C

E1AM, E1AM-C121,C123,C124,C141,C143,C161,C163,C164,C184,
C201,C203,C204,C241,C243,D001,D002,D003,D004,D008

PARTS LIST

[HE, GENERAL (50Hz) , OCEANIA, RINNAI , KOREA, EXPORT (60Hz) , AUSTRALIA, HSP, CHINA]

F-1	JUN.	1996	E-0	DEC.	2004	M-0	JAN.	2012
G-0	DEC.	1996	E-1	APR.	2005			
H-0	DEC.	1997	R-0	DEC.	2005			
H-1	MAR.	1998	S-0	JAN.	2007			
J-0	DEC.	1998	S-1	MAY.	2007			
K-0	DEC.	1999	S-2	DEC.	2007			
A-0	DEC.	2000	T-0	JAN.	2008			
B-0	DEC.	2001	T-1	JUL.	2008			
C-0	DEC.	2002	U-0	JAN.	2009			
D-0	DEC.	2003	V-0	JAN.	2010			
D-1	NOV.	2004	L-0	JAN.	2011			

MATERIAL ABBREVIATIONS

ALUMINUM

AL = Aluminum

COPPER

CU = Copper

PLASTIC

ABS = Acrylonitrile -butadiene - styrene
AC = Polyacetal
EVA = Ethylene vinyl acetate
PA = Polyamide = Nylon
PC = Polycarbonate
PE = Polyethylene
PES = Polyester
PETP = Polyethylene terephthalate = Tetlon
PP = Polypropylene
PS = Polystyrene
PTFE = Polytetrafluoroethylene = Teflon
PUR = Polyurethane
PVC = Polyvinyl chloride

RUBBER

VN = Vinyl Nitrile
EPDM = EP rubber
NBR = Nitrile butadiene rubber
NR = Natural rubber
NP = Neoprene
SI.R = Silicone rubber
SY.R = Synthetic rubber
EPH = Epichlorohydrin

STEEL

GS = Galvanized steel
SS = Stainless steel
PS = Plated steel
PAS = Primed steel

AUXILIARY CODE

K-0

Designates the year. "K" indicates the year 2000. Years progress or regress in alphabetical order. "J" is 1999, "L" is 2001, "M" is 2002, and so on. The letters "I" and "O" were skipped.
Designates significant part changes within the same year. Base is 0 and this number advances for each change.

Example: P-1

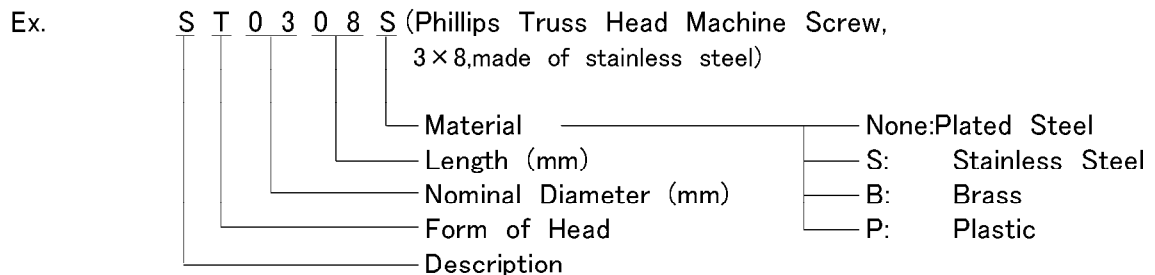
"P" indicates 2004.
"1" indicates the first significant part change for 2004.

MARKS LOCATED UNDER THE AUXILIARY CODE

- = Part deleted.
x = Part deleted and replaced by "o" part.
o = New part in place of "x" part.

FASTENER ABBREVIATION LIST

ST	=	Phillips Truss Head Machine Screw
SP	=	Phillips Pan Head Machine Screw
SF	=	Phillips Flat Head Machine Screw
SS	=	Phillips Pan Head Machine Screw with Split Lock Washer
SW	=	Phillips Pan Head Machine Screw with Split Lock Washer and Flat Washer
T1	=	Phillips Truss Head Tapping Screw (Correspond to Type A)
T2	=	Phillips Truss Head Tapping Screw (Correspond to Type B)
T3	=	Phillips Truss Head Tapping Screw (Correspond to Type C)
FT	=	Phillips Truss Head Tapping Screw (Special)
BH	=	Hexagon Head Bolt
BC	=	Socket Head Cap Screw
BS	=	Hexagon Bolt with Split Washer
BW	=	Hexagon Bolt with Split Washer and Flat Washer
BF	=	Hexagon Flange Bolt
BR	=	Cross-Recessed Hexagon Head Bolt
BRW	=	Cross-Recessed Hexagon Head Bolt with Split Lock Washer and Flat Washer
WL	=	Split Lock Washer
WT	=	External Tooth Washer
WF	=	Flat Washer
WS	=	Spring Washer
NH	=	Hexagon Nut
NF	=	Hexagon Flange Nut
NC	=	Hexagon Cap Nut
NS	=	Square Nut
NW	=	Wing Nut



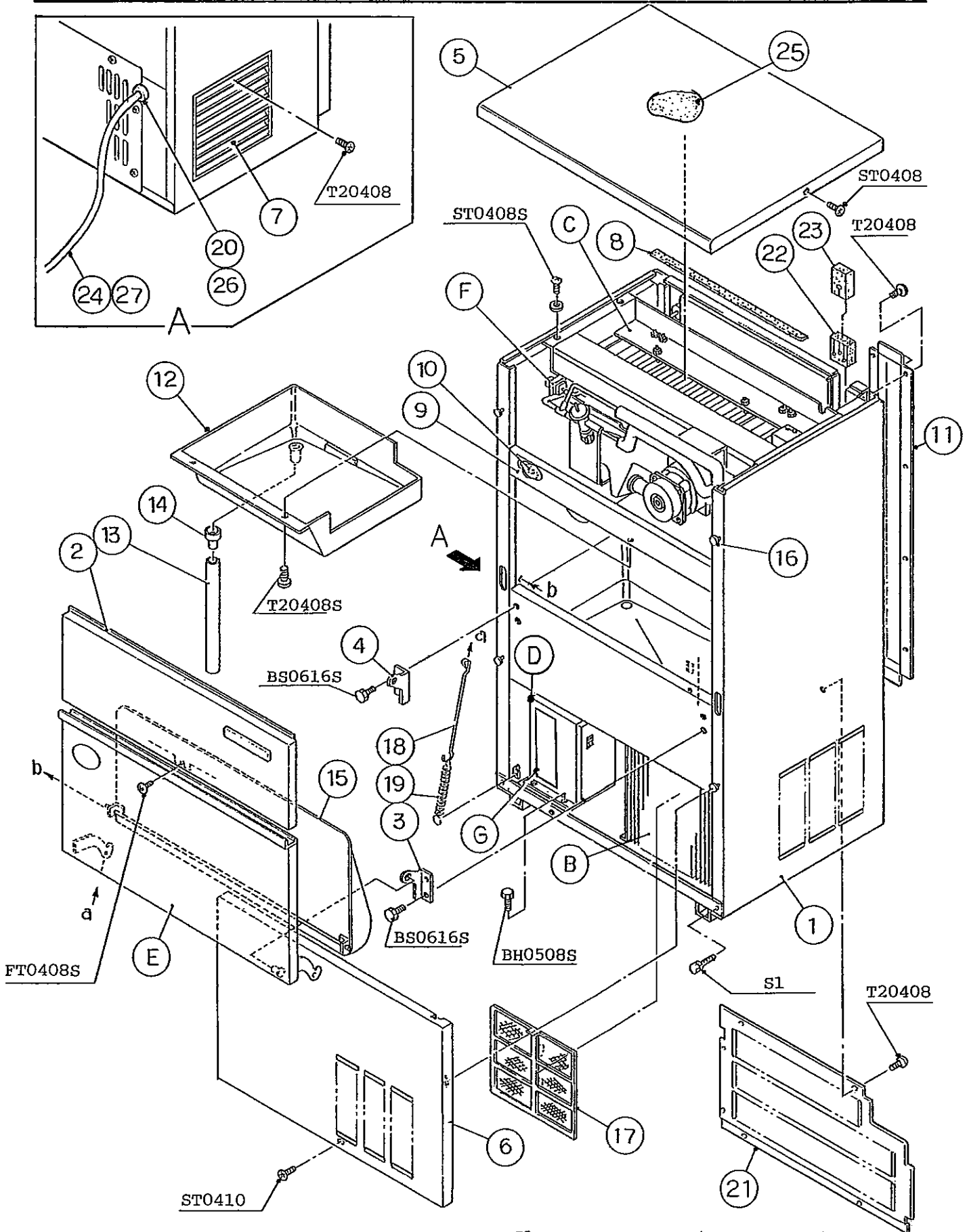
(Note) Second character is numerical except the list.
 Ex: S1,S2,B3 etc.

And abbreviations and names are shown under the illustration.

IM-100LE
 IM-100LE-23, -21
 IM-100LE-C

A. ICE CUBER ASSY

(E-1) and later
 (C-0) (D-0) (D-1) (E-0)
 (J-0) (K-0) (A-0) (B-0)
 (F-1) (G-0) (H-0) (H-1)



S1 - Hexagon Tapping Screw, 6x16

HE,GENERAL,EXPORT,OCEANIA,RINNAI,KOREA,AUSTRALIA,HSP

MODEL : IM-100LE							
IM-100LE-21,-23				TITLE : A. ICE CUBER ASSY			
INDEX NO.	DESCRIPTION	MATERIAL OR MODEL NUMBER	PART NUMBER	REQ'D NUMBER			
				F-1 G-0 H-0	H-1 J-0 K-0 A-0 B-0 C-0 D-0	D-1 E-0	E-1 R-0 S-0
B	REFRIGERATION ASSY	(100LE)	1H1519A01	1	1	1	1
		(100LE-21,-23)	-	1	1	1	1
C	ICE MAKING MECHANISM ASSY	(100LE)	1H0268A05	1	1	1	1
		(100LE-21,-23)	-	1	1	1	1
D	CONTROL BOX ASSY	-	2H3234A01	1	-		
		-	2H3619A01		1	-	
		-	2H3619A03			1	-
		-	2H6792A01				1
E	DOOR ASSY	-	3H1420A07	1	1	1	1
		-	3Y2909A01				
		-	3Y3817A01				
F	WATER CIRCUIT ASSY	-	3H9588A01	1	1	1	1
G	LABEL LOCATION	(100LE)	3H9564A01	1	-		
			3X1500A01		1	1	-
			3X1500A03				1
	LABEL LOCATION	(100LE-21,-23)	-	1	1	1	1
1	UNIT BODY	-	1H1259G01	1	1	1	1
		-	1H1259G03				
2	FRONT PANEL (UPPER)	S.S	3H8109G04	1	1	1	1
		(RINNAI)	3H8109G08	1	1 ×		
3	HINGE (RIGHT)	S.S	4H2583-01	1	1	1	1
4	HINGE (LEFT)	S.S	4H2584-01	1	1	1	1
5	TOP PANEL	S.S	3H9607-01	1	1	1	1
6	FRONT PANEL (LOWER)	S.S	2H3212-01	1	1	1	1
7	LOUVER	ABS	101812-09	1	1	1	1
8	SOFT TAPE	t3 x 15 x 700	1H1518-45	1	1	1	1
9	FRONT FRAME	S.S	3H7761-04	1	1	1	1
10	INSULATION - FRONT FRAME	PE	4H2687-01	1	1	1	1
11	COVER - PIPE	G.S	3H1436-01	1	1	1	1
12	DRAIN PAN	ABS	2H1935-01	1	1	1	1
13	PIPE - DRAIN	ABS	4H2688-01	1	1	1	1
14	DRAIN TUBE	SI	4H2585-01	1	1	1	1

HE,GENERAL,EXPORT,OCEANIA,RINNAI,KOREA,AUSTRALIA,HSP,CHINA

MODEL : IM-100LE, IM-100LE-21 IM-100LE-23, IM-100LE-C							
				TITLE: A. ICE CUBER ASSY			
INDEX NO.	DESCRIPTION	MATERIAL OR MODEL NUMBER	PART NUMBER	REQ'D NUMBER			
				S-1	S-2 T-0	T-1,U-0 V-0,L-0 M-0	
B	REFRIGERATION ASSY	(100LE)	1H1519A01	1	1	1	
		(100LE-21,-23)	-	1	1	1	
		(100LE-C)	-			1	
C	ICE MAKING MECHANISM ASSY	(100LE)	1H0268A05	1	1	1	
		(100LE-21,-23)	-	1	1	1	
		(100LE-C)	-			1	
D	CONTROL BOX ASSY	-	2H6792A01	1	1	1	
E	DOOR ASSY	-	3H1420A07	1	-		
		-	3Y2909A01		1	-	
		-	3Y3817A01			1	
F	WATER CIRCUIT ASSY	-	3H9588A01	1	1	1	
G	LABEL LOCATION	(100LE)	3X1500A03	1	1	1	
		(100LE-21,-23)	-	1	1	1	
		(100LE-C)				1	
1	UNIT BODY	-	1H1259G01	-			
		-	1H1259G03	1	1	1	
2	FRONT PANEL (UPPER)	S.S	3H8109G04	1	1	1	
		-	-				
3	HINGE (RIGHT)	S.S	4H2583-01	1	1	1	
4	HINGE (LEFT)	S.S	4H2584-01	1	1	1	
5	TOP PANEL	S.S	3H9607-01	1	1	1	
6	FRONT PANEL (LOWER)	S.S	2H3212-01	1	1	1	
7	LOUVER	ABS	101812-09	1	1	1	
8	SOFT TAPE	t3 x 15 x 700	1H1518-45	1	1	1	
9	FRONT FRAME	S.S	3H7761-04	1	1	1	
10	INSULATION - FRONT FRAME	PE	4H2687-01	1	1	1	
11	COVER - PIPE	G.S	3H1436-01	1	1	1	
12	DRAIN PAN	ABS	2H1935-01	1	1	1	
13	PIPE - DRAIN	ABS	4H2688-01	1	1	1	
14	DRAIN TUBE	SI	4H2585-01	1	1	1	
15	SLOPE	ABS	3H2978G01	1	1	1	
16	TAPER COLLAR	S.S	4H0171-01	4	4	4	

HE,GENERAL,EXPORT,OCEANIA,RINNAI,KOREA,AUSTRALIA,HSP

MODEL : IM-100LE IM-100LE-21,-23 TITLE : A. ICE CUBER ASSY							
INDEX NO.	DESCRIPTION	MATERIAL OR MODEL NUMBER	PART NUMBER	REQ'D NUMBER			
				F-1 G-0 H-0	H-1 J-0 K-0 A-0 B-0 C-0 D-0	D-1 E-0	E-1 R-0 S-0
15	SLOPE	ABS	3H2978G01	1	1	1	1
16	TAPER COLLAR	S.S	4H0171-01	4	4	4	4
17	AIR FILTER	PP	332631G01	1	1	1	1
18	HOOK	S.S	4H2685-01	1	1	1	1
19	SPRING	ZINC-PLATED WIRE	4H0823-01	1	1	1	1
20	BUSHING	CEE-SR-6P-10	448949-01	1	1	1	1
21	REAR PANEL	S.S	3H9610-01	1	1	1	1
22	INSULATION (A)	PE	4H2683-01	1	1	1	1
23	INSULATION (B)	PE	4X5297-01	1	1	1	1
24	POWER SUPPLY CORD (CONTINENTAL)	(HE) (EXPORT) (KOREA)	452263-01	1	1	1	1
	POWER CORD (UK)	(HE) (GENERAL) (HSP)	4X3521G01	1	1	1	1
	POWER CORD	(OCEANIA)	4X3520G01	1	1	1	1
	POWER CORD	(RINNAI) (AUSTRALIA)	458139-01	1	1	1	1
25	INSULATION - TOP PANEL	PS	3H9602-01	1	1	1	1

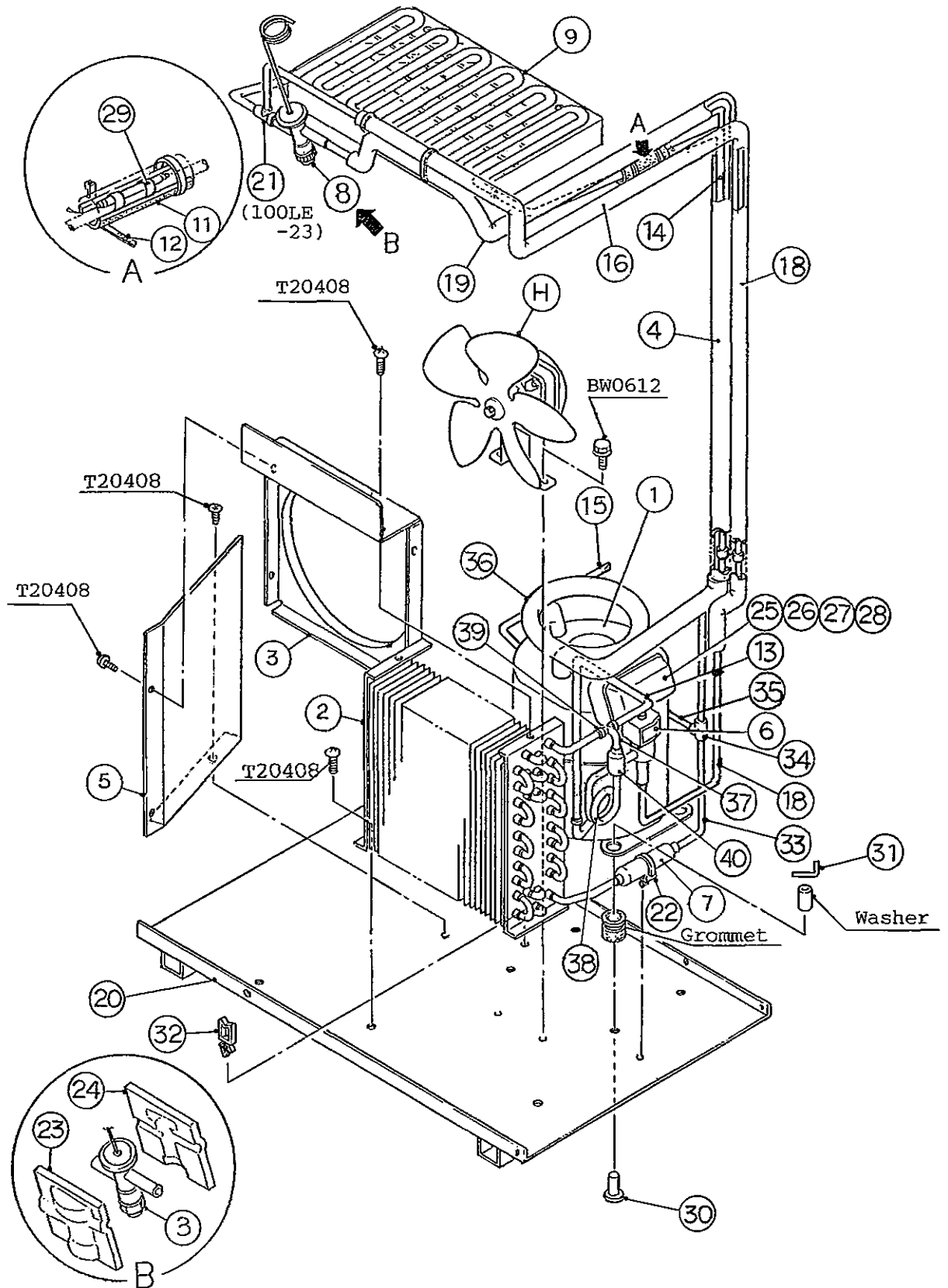
HE,GENERAL,EXPORT,OCEANIA,RINNAI,KOREA,AUSTRALIA,HSP,CHINA

MODEL : IM-100LE, IM-100LE-21 IM-100LE-23, IM-100LE-C								TITLE: A. ICE CUBER ASSY			
INDEX NO.	DESCRIPTION	MATERIAL OR MODEL NUMBER	PART NUMBER	REQ'D NUMBER							
				S-1	S-2 T-0	T-1,U-0 V-0,L-0 M-0					
17	AIR FILTER	PP	332631G01	1	1	1					
18	HOOK	S.S	4H2685-01	1	1	1					
19	SPRING	ZINC-PLATED WIRE	4H0823-01	1	1	1					
20	BUSHING	CEE-SR-6P-10	448949-01	×							
21	REAR PANEL	S.S	3H9610-01	1	1	1					
22	INSULATION (A)	PE	4H2683-01	1	1	1					
23	INSULATION (B)	PE	4X5297-01	1	1	1					
24	POWER SUPPLY CORD (CONTINENTAL)	(HE) (EXPORT) (KOREA)	452263-01	×							
	POWER CORD (UK)	(HE) (GENERAL) (HSP)	4X3521G01	×							
	POWER CORD	(OCEANIA)	4X3520G01	×							
	POWER CORD	(RINNAI) (AUSTRALIA)	458139-01	×							
25	INSULATION - TOP PANEL	PS	3H9602-01	1	1	1					
26	CONNECTOR	-	P00245-01	1	1	1					
27	POWER CORD	(CONTINENTAL)	P00240-01	1	1	1					
	POWER CORD (WITH UK PLUG)	(UK)	P00241-01	1	1	1					
	POWER CORD	(AUSTRALIA)	P00242-01	1	1	1					
	POWER CORD	(CHINA)	P01960-01			1					

IM-100LE
 IM-100LE-23, -21
 IM-100LE-C

B. REFRIGERATION ASSY

(E-1) and later
 (C-0) (D-0) (D-1) (E-0)
 (J-0) (K-0) (A-0) (B-0)
 (F-1) (G-0) (H-0) (H-1)



HE,GENERAL,EXPORT,OCEANIA,RINNAI,KOREA,AUSTRALIA,HSP

MODEL : IM-100LE							
IM-100LE-21,-23				TITLE : B. REFRIGERATION ASSY			
INDEX NO.	DESCRIPTION	MATERIAL OR MODEL NUMBER	PART NUMBER	REQ'D NUMBER			
				F-1 G-0 H-0	H-1 J-0 K-0 A-0 B-0 C-0 D-0	D-1 E-0	E-1 R-0 S-0
H	FAN MOTOR ASSY	(S-0950)	3H9446A01	1	1	1	1
1	COMPRESSOR	SC18G	452236-01	1	1	1	1
2	CONDENSER - AIR-COOLED	-	2H3237-01	1	1	1	1
3	SHROUD	G.S	3X4788-01	1	1	1	1
4	INSULATION TUBE	16 ID x 26 OD, L=800	1H1519-43	1	1	1	1
5	BARRIER (B)	G.S	3H9391-01	1	1	1	1
6	HOT GAS VALVE	ATS-7S10HD-1	418636-02	1	1	1	1
7	DRIER	DY-20QHD-1	452203-01	1×			
		DML032.5S	462965-01	1○	1	1	1
8	EXPANSION VALVE	FSE-5QHD-1	452202-01	1	1	1	1
9	EVAPORATOR	(100LE)	2H6438G02	1	1	1	1
	EVAPORATOR	(100LE-21)	2H0716G01	1	1	1	1
	EVAPORATOR (S-0796)	(100LE-23),	2H1836G01	1	1	1	1
10	-	-	-				
11	INSULATION TUBE	25 ID x 35 OD, L=130	4X8643-01	1	1	1	1
12	TIE	CV-150	7920-0003	4	4	4	4
13	COPPER TUBE (A)	COPPER	4X4048-01	1	1	1	1
14	HEAT EXCHANGER	-	4X5034G01	1	1	1	1
15	PROCESS TUBE	COPPER	4X4047-01	1	1	1	1
16	COPPER TUBE (A) - HOT GAS	COPPER	4X4049G01	1	1	1	1
17	-	-	-				
18	COPPER TUBE (B) - HOT GAS	COPPER	4X4050G01	1	1	1	1
20	BASE	PAINTED STEEL	3Y2586G01	1	1	1	1
21	TEE	(100LE-23)	420336-01	1	1	1	1
22	TIE	T50RSF	436156-02	1	1	1	1
23	COVER (A) - EXPANSION VALVE	PE FOAM	4H9239-01	1	1	1	1
24	COVER (B) - EXPANSION VALVE	PE FOAM	4H9239-02	1	1	1	1
25	STARTING RELAY	117U6019	452237-01	1	1	1	1
26	STARTING CAPACITOR	117U5019	456350-01	1	1	1	1
27	CORD RELIEF	103N1004	452239-01	1	1	1	1

HE,GENERAL,EXPORT,OCEANIA,RINNAI,KOREA,AUSTRALIA,HSP,CHINA

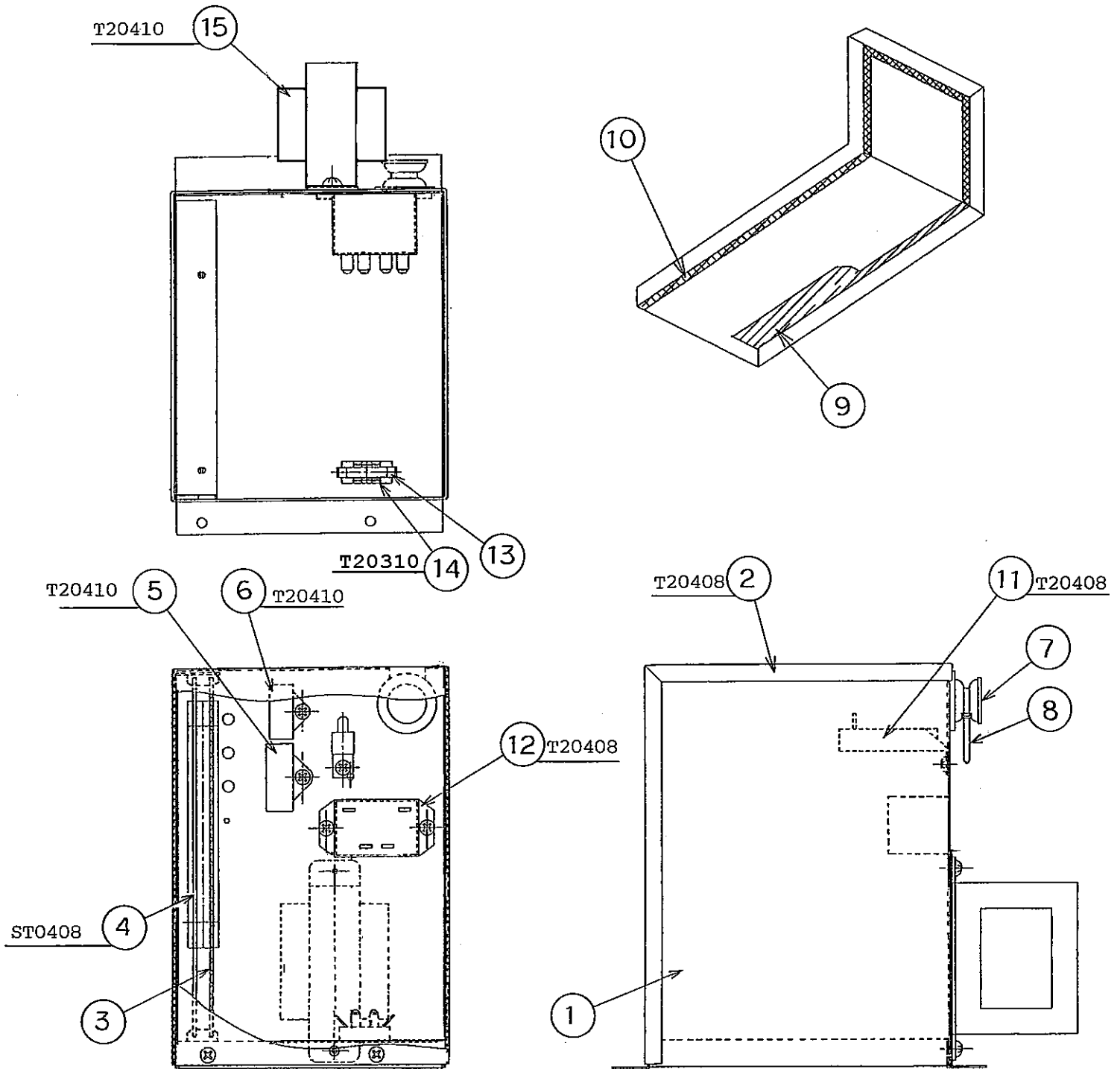
MODEL : IM-100LE, IM-100LE-21 IM-100LE-23, IM-100LE-C				TITLE: B. REFRIGERATION ASSY			
INDEX NO.	DESCRIPTION	MATERIAL OR MODEL NUMBER	PART NUMBER	REQ'D NUMBER			
				S-1	S-2 T-0	T-1,U-0 V-0,L-0 M-0	
H	FAN MOTOR ASSY	(S-0950)	3H9446A01	1	1	1	
1	COMPRESSOR	SC18G	452236-01	1	1	1	
2	CONDENSER - AIR-COOLED	-	2H3237-01	1	1	1	
3	SHROUD	G.S	3X4788-01	1	1	1	
4	INSULATION TUBE	16 ID x 26 OD, L=800	1H1519-43	1	1	1	
5	BARRIER (B)	-	3H9391-01	1	1	1	
6	HOT GAS VALVE	ATS-7S10HD-1	418636-02	1	1	1	
7	DRIER	-	-				
		DML032.5S	462965-01	1	1	1	
8	EXPANSION VALVE	FSE-5QHD-1	452202-01	1	1	1	
9	EVAPORATOR	(100LE)	2H6438G02	1	1	1	
	EVAPORATOR	(100LE-21)	2H0716G01	1	1	1	
	EVAPORATOR (S-0796)	(100LE-23)	2H1836G01	1	1	1	
	EVAPORATOR	(100LE-C)	2X0260G01			1	
10	-	-	-				
11	INSULATION TUBE	25 ID x 35 OD,	4X8643-01	1	1	1	
		L=130					
12	TIE	CV-150	7920-0003	4	4	4	
13	COPPER TUBE (A)	COPPER	4X4048-01	1	1	1	
14	HEAT EXCHANGER	-	4X5034G01	1	1	1	
15	PROCESS TUBE	COPPER	4X4047-01	1	1	1	
16	COPPER TUBE (A) - HOT GAS	COPPER	4X4049G01	1	1	1	
17	-	-	-				
18	COPPER TUBE (B) - HOT GAS	COPPER	4X4050G01	1	1	1	
20	BASE	PAINTED STEEL	3Y2586G01	1	1	1	
21	TEE	(100LE-23)	420336-01	1	1	1	
22	TIE	T50RSF	436156-02	1	1	1	
23	COVER (A) - EXPANSION VALVE	PE FOAM	4H9239-01	1	1	1	
24	COVER (B) - EXPANSION VALVE	PE FOAM	4H9239-02	1	1	1	
25	STARTING RELAY	117U6019	452237-01	1	1	1	
26	STARTING CAPACITOR	117U5019	456350-01	1	1	1	

HE,GENERAL,EXPORT,OCEANIA,RINNAI,KOREA,AUSTRALIA,HSP

MODEL : IM-100LE							
IM-100LE-21,-23				TITLE : C. ICE MAKING MECHANISM ASSY			
INDEX NO.	DESCRIPTION	MATERIAL OR MODEL NUMBER	PART NUMBER	REQ'D NUMBER			
				F-1 G-0 H-0	H-1 J-0 K-0 A-0 B-0 C-0 D-0	D-1 E-0	E-1 R-0 S-0
J	BIN CONTROL SWITCH ASSY	(S-0819)	3H1538A02	1	1	1	1
K	WATER PAN ASSY	(100LE,-23)	2H0679A03	1	1	1	1
		(100LE-21)	-	1	1	1	1
1	BRACKET - ICE MAKING MECHANISM	(100LE,-23)	3H9594-01	1	1	1	1
		(100LE-21)	3X0254-01	1	1	1	1
2	ACTUATOR MOTOR	SR65A41-13	452499-01	1	1	1	1
3	BRACKET - ACTUATOR MOTOR	PAINTED STEEL	4H2679-01	1	1	1	1
4	BOLT - EVAPORATOR MOUNTING	(100LE)	4H2678-01	4	4	4	4
		(100LE-21)	4H2886-01	2	2	2	2
		(100LE-23)	4H2886-01	4	4	4	4
5	COLLAR	(100LE)	3H3879-01	4	4	4	4
6	WASHER	(100LE-21)	4H1365-06	4	4	4	4
		(100LE-23)	4H1365-05	4	4	4	4
7	BEARING PLATE	S.S	3H1440G04	1	1	1	1
8	BEARING - CAM SHAFT	POM	3X8307-01	1	1	1	1
9	SHAFT (B)	S.S	4H1184-02	2	2	2	2
10	SNAP PIN	S.S, NO. 6	715S-0600	2	2	2	2
11	CAM SHAFT	S.S	4H2702G01	1	1	1	1
12	COTTER PIN	S.S, 2x12	711S-0212	1	1	1	1
13	CAM (A)	(303881A02)	306543G02	1	1	1	1
14	CHANGE LEVER	S.S	406261-01	1	1	1	1
15	CAM (B)	AC	315775-01	1	1	1	1
16	ROLL PIN	S.S, 3x28	712S-0328	1	1	1	1
17	TOGGLE SWITCH	VAT4-71	431977-01	1	1	1	1
18	SHIM (A) - EVAPORATOR	S.S	4H2691-01	REQ'D	REQ'D	REQ'D	REQ'D
19	SHIM (B) - EVAPORATOR	S.S	4H2691-02	REQ'D	REQ'D	REQ'D	REQ'D
20	SHIM (C) - EVAPORATOR	S.S	4H2691-03	REQ'D	REQ'D	REQ'D	REQ'D
21	COVER-MECHANISM BASE	PVC	4H2681-01	1	1	1	1
22	SPRING	S.S	4H0287-01	2	2	2	2
23	SWITCH COVER	PE	408163-01	1	1	1	1
24	WASHER - TOGGLE SWITCH	S.S	406196-01	1	1	1	1
25	GUIDE - CONNECTOR	PVC	4H5619-01	1	1	1	1

HE,GENERAL,EXPORT,OCEANIA,RINNAI,KOREA,AUSTRALIA,HSP,CHINA

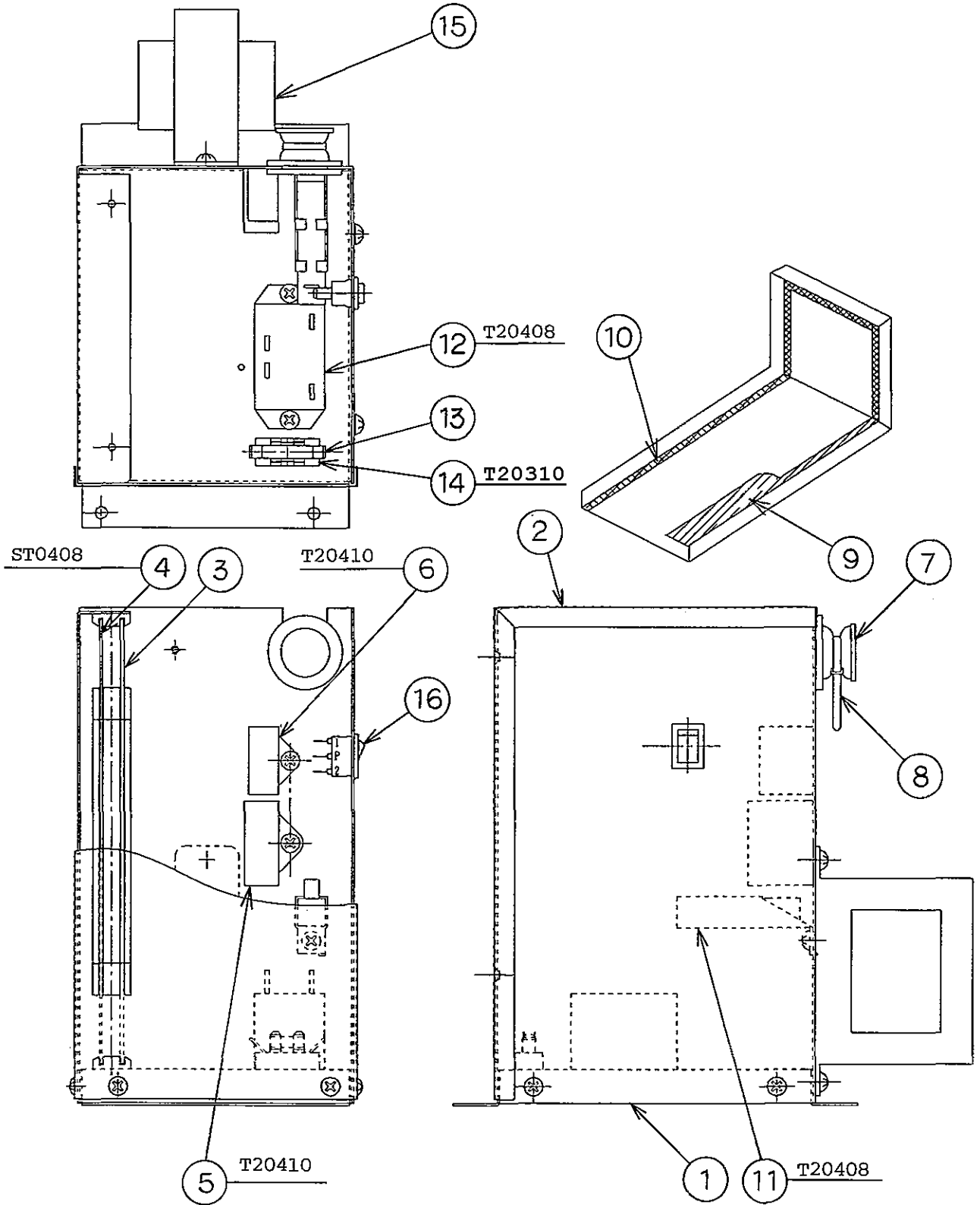
MODEL : IM-100LE, IM-100LE-21 IM-100LE-23, IM-100LE-C								TITLE: C. ICE MAKING MECHANISM ASSY			
INDEX NO.	DESCRIPTION	MATERIAL OR MODEL NUMBER	PART NUMBER	REQ'D NUMBER							
				S-1	S-2 T-0	T-1,U-0 V-0,L-0 M-0					
J	BIN CONTROL SWITCH ASSY	(S-0819)	3H1538A02	1	1	1					
K	WATER PAN ASSY	(100LE,-23)	2H0679A03	1	1	1					
		(100LE-21)	-	1	1	1					
		(100LE-C)	1H4751A01			1					
1	BRACKET - ICE MAKING MECHANISM	(100LE,-23)	3H9594-01	1	1	1					
		(100LE-21)	3X0254-01	1	1	1					
	MECHANISM BASE	(100LE-C)	2X0249M01			1					
2	ACTUATOR MOTOR	SR65A41-13	452499-01	1	1	1					
3	BRACKET - ACTUATOR MOTOR	PAINTED STEEL	4H2679-01	1	1	1					
4	BOLT - EVAPORATOR MOUNTING	(100LE)	4H2678-01	4	4	×4					
	SCREW EVAPORATOR		4Y4922M02			○4					
	BOLT - EVAPORATOR MOUNTING	(100LE-21)	4H2886-01	2	2	×2					
	SCREW EVAPORATOR		4Y4922M03			○4					
	BOLT - EVAPORATOR MOUNTING	(100LE-23)	4H2886-01	4	4	×4					
	SCREW EVAPORATOR		4Y4922M03			○4					
	SCREW EVAPORATOR	(100LE-C)	4Y4922M01			4					
5	COLLAR	(100LE)	3H3879-01	4	4	4					
6	WASHER	(100LE-21)	4H1365-06	4	4	4					
		(100LE-23)	4H1365-05	4	4	4					
	SPACER	(100LE-C)	4H0471-01			4					
7	BEARING PLATE	(100LE,-23) (100LE-21)	3H1440G04	1	1	1					
	BEARING/WATER PAN	(100LE-C)	3Y5036G01			1					
8	BEARING - CAM SHAFT	POM	3X8307-01	1	1	1					
9	SHAFT (B)	(100LE,-23) (100LE-21)	4H1184-02	2	2	2					
	SHAFT (A)	(100LE-C)	4H1184-01			2					
10	SNAP PIN	S.S, NO. 6	715S-0600	2	2	2					
11	CAM SHAFT	S.S	4H2702G01	1	1	1					
12	COTTER PIN	S.S, 2x12	711S-0212	1	1	1					
13	CAM (A)	(303881A02)	306543G02	1	1	1					
14	CHANGE LEVER	S.S	406261-01	1	1	1					
15	CAM (B)	AC	315775-01	1	1	1					

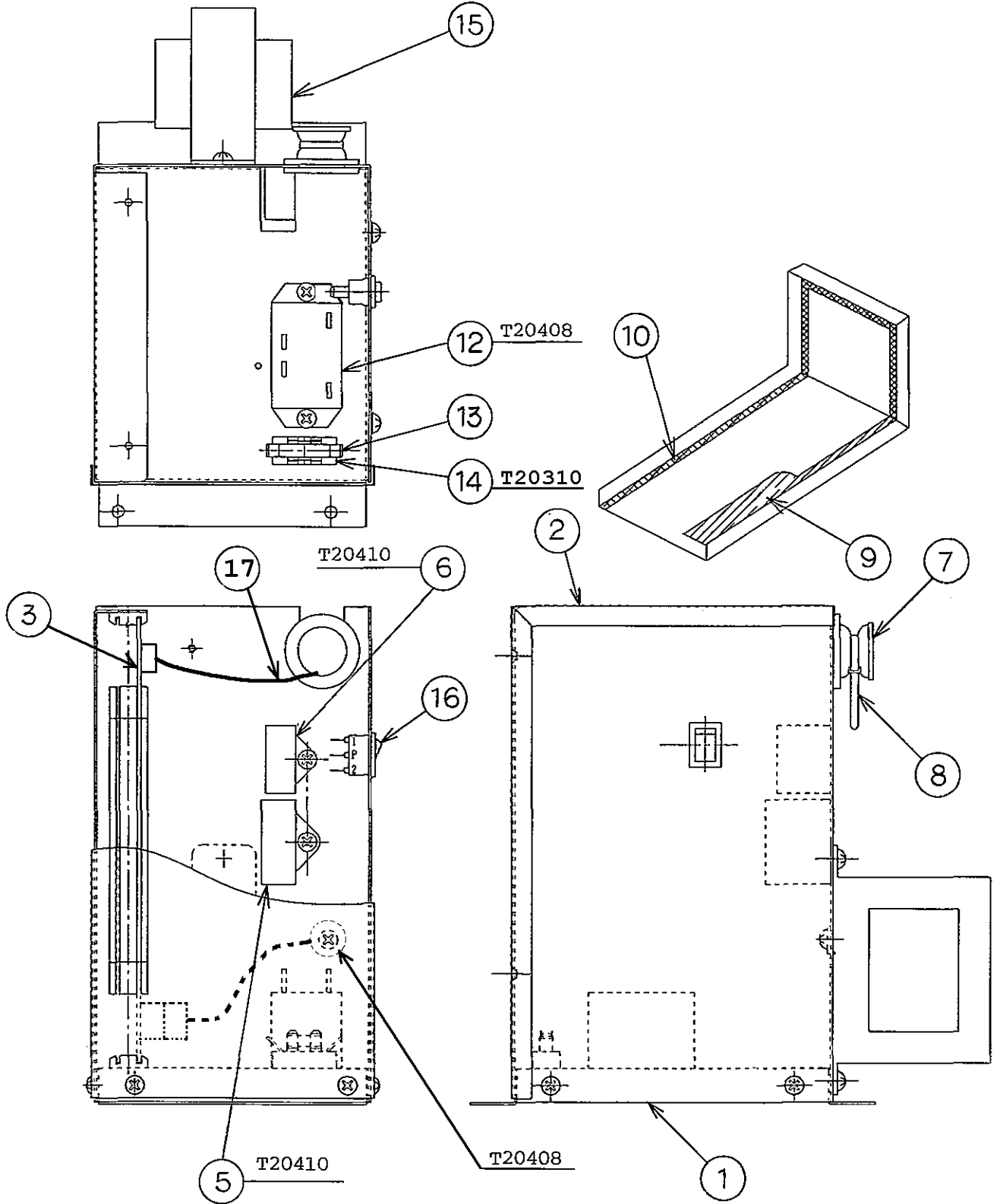


IM-100LE
IM-100LE-23,-21

D. CONTROL BOX ASSY

(E-0)
(B-0) (C-0) (D-0) (D-1)
(H-1) (J-0) (K-0) (A-0)

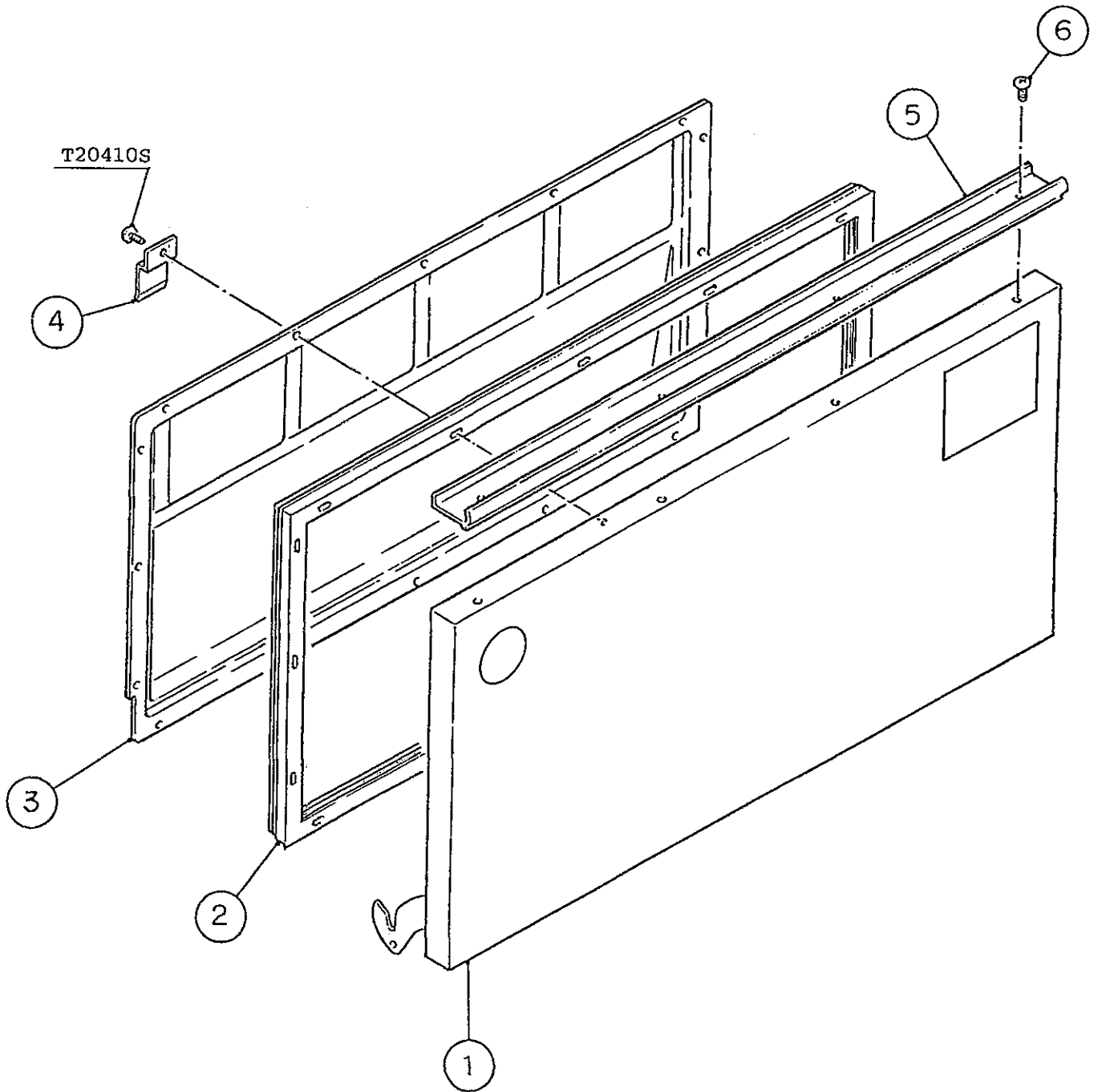


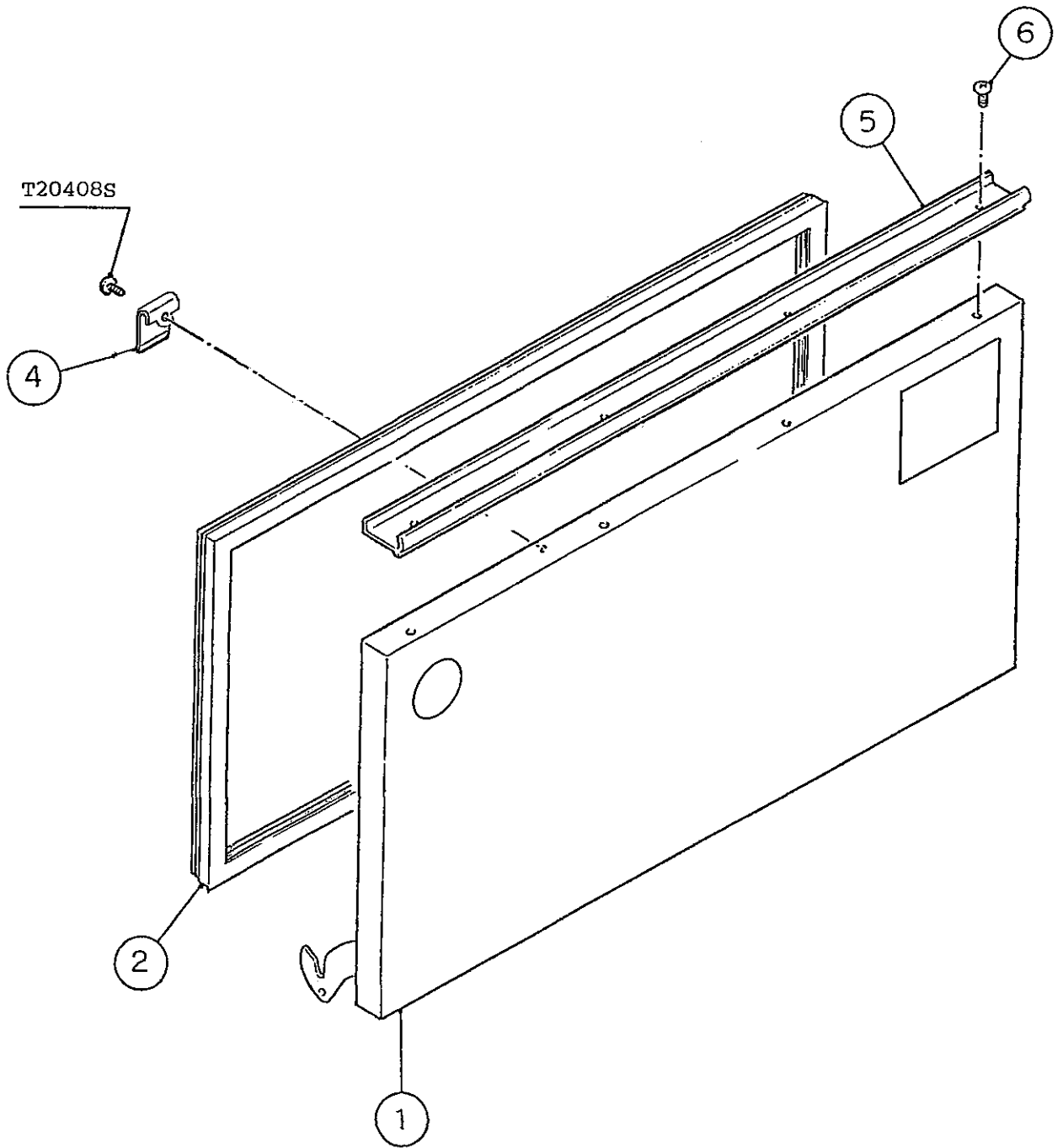


IM-100LE
IM-100LE-23 , -21

E. DOOR ASSY

(E-1) (R-0) (S-0) (S-1)
(C-0) (D-0) (D-1) (E-0)
(J-0) (K-0) (A-0) (B-0)
(F-1) (G-0) (H-0) (H-1)

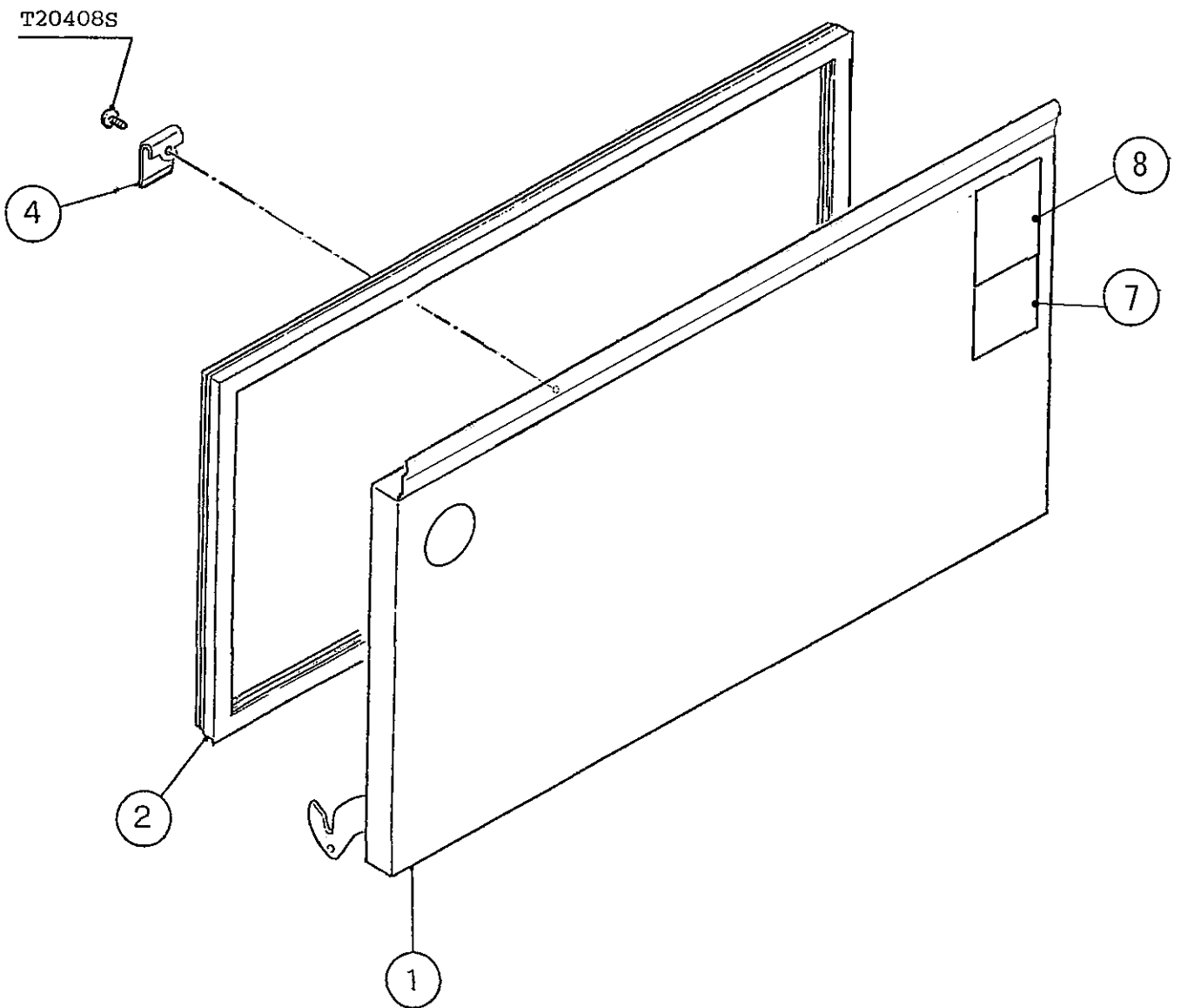




IM-100LE
IM-100LE-23,-21
IM-100LE-C

E. DOOR ASSY

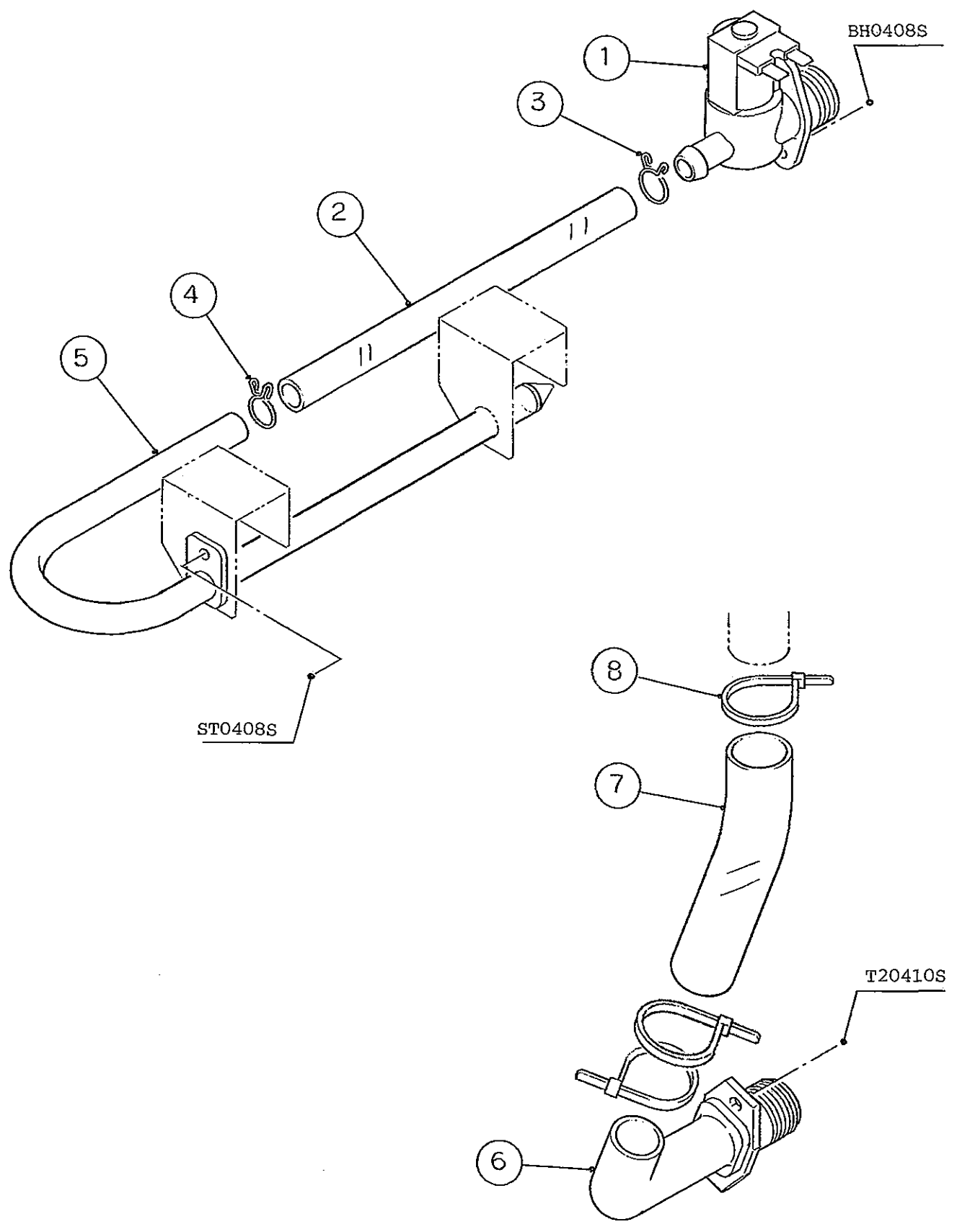
(T-1) and later



IM-100LE
IM-100LE-23,-21
IM-100LE-C

F. WATER CIRCUIT ASSY

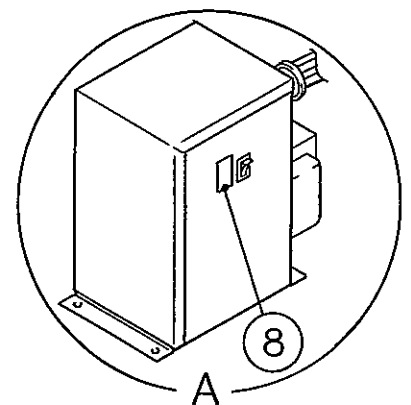
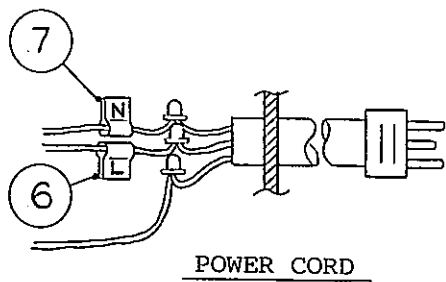
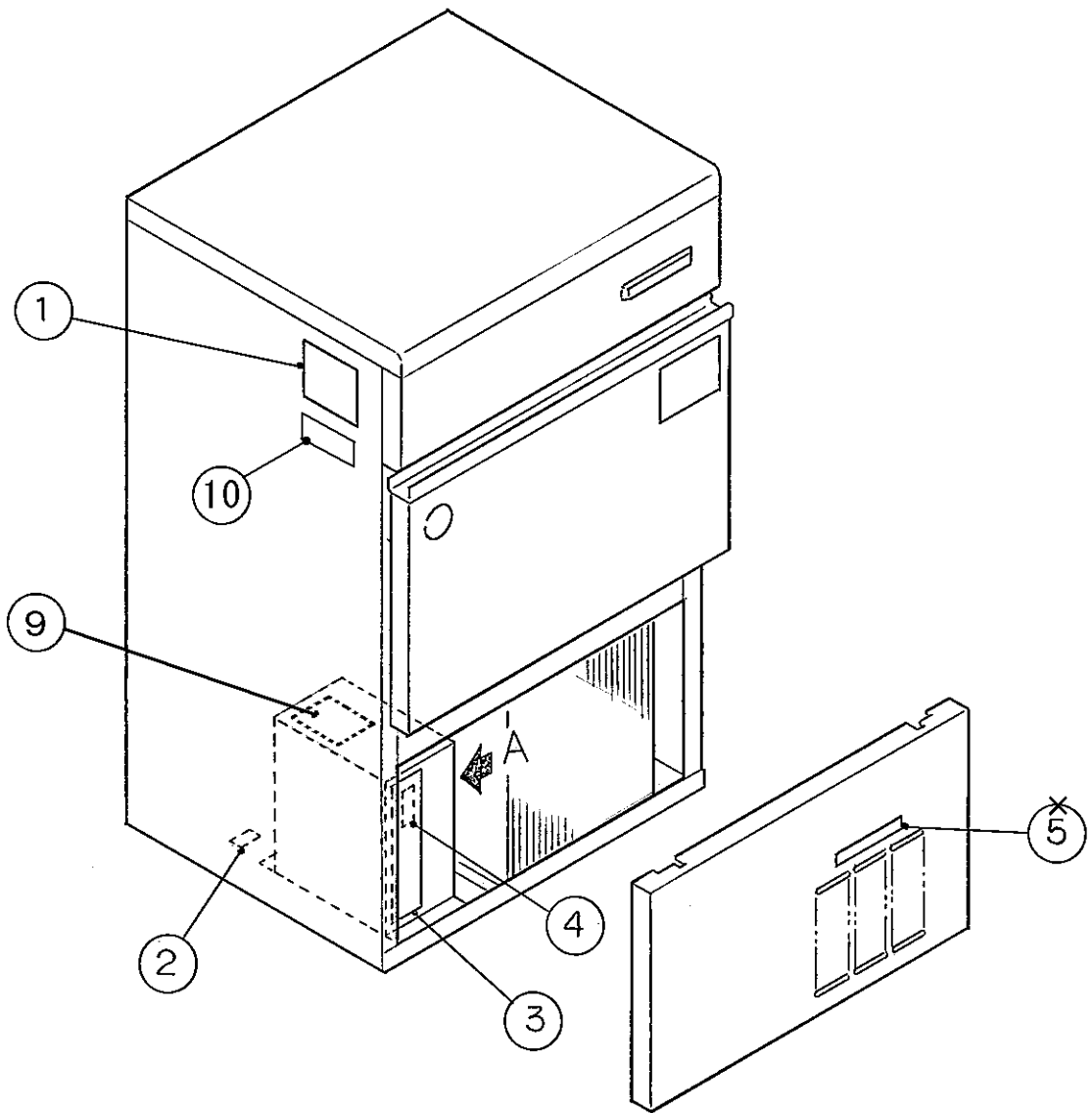
(E-1) and later
(C-0) (D-0) (D-1) (E-0)
(J-0) (K-0) (A-0) (B-0)
(F-1) (G-0) (H-0) (H-1)



IM-100LE
IM-100LE-23, -21
IM-100LE-C

G. LABEL LOCATION

(E-1) and later
(C-0) (D-0) (D-1) (E-0)
(J-0) (K-0) (A-0) (B-0)
(F-1) (G-0) (H-0) (H-1)

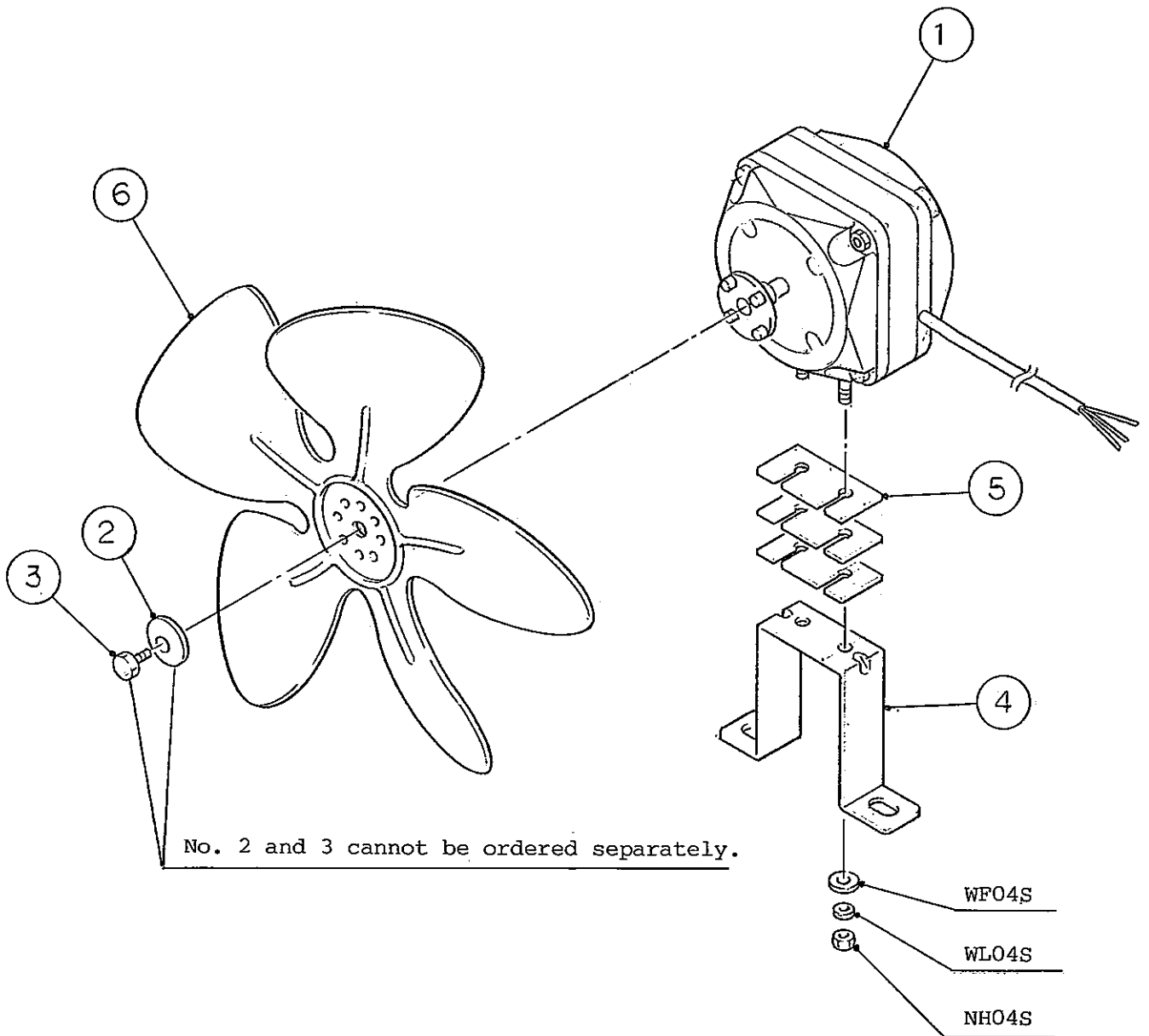


(S-0950)

IM-100LE
IM-100LE-23,-21
IM-100LE-C

H. FAN MOTOR ASSY

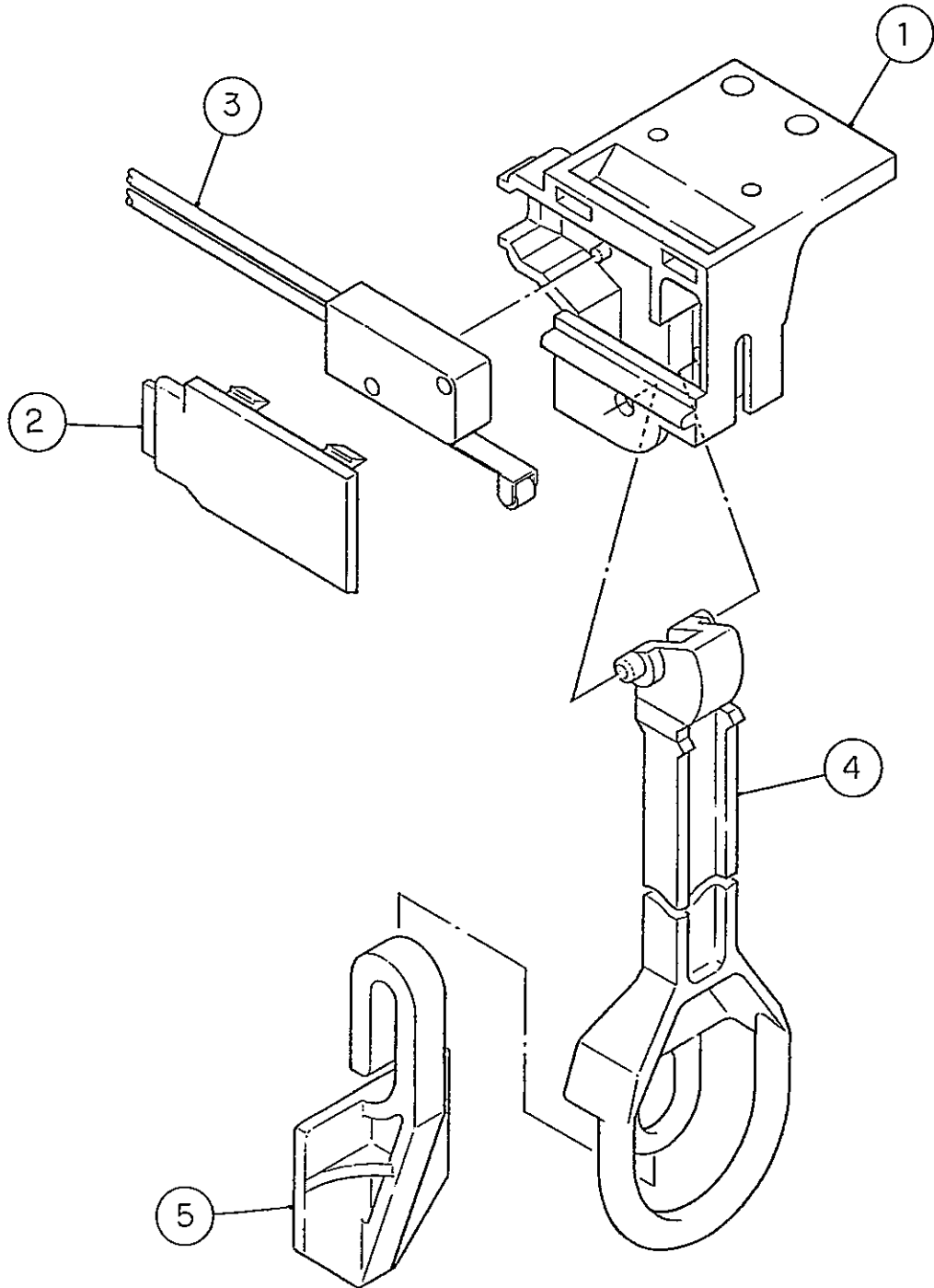
(E-1) and later
(C-0) (D-0) (D-1) (E-0)
(J-0) (K-0) (A-0) (B-0)
(F-1) (G-0) (H-0) (H-1)



IM-100LE
IM-100LE-23, -21
IM-100LE-C

J. BIN CONTROL SWITCH ASSY

(E-1) and later
(C-0) (D-0) (D-1) (E-0)
(J-0) (K-0) (A-0) (B-0)
(F-1) (G-0) (H-0) (H-1)



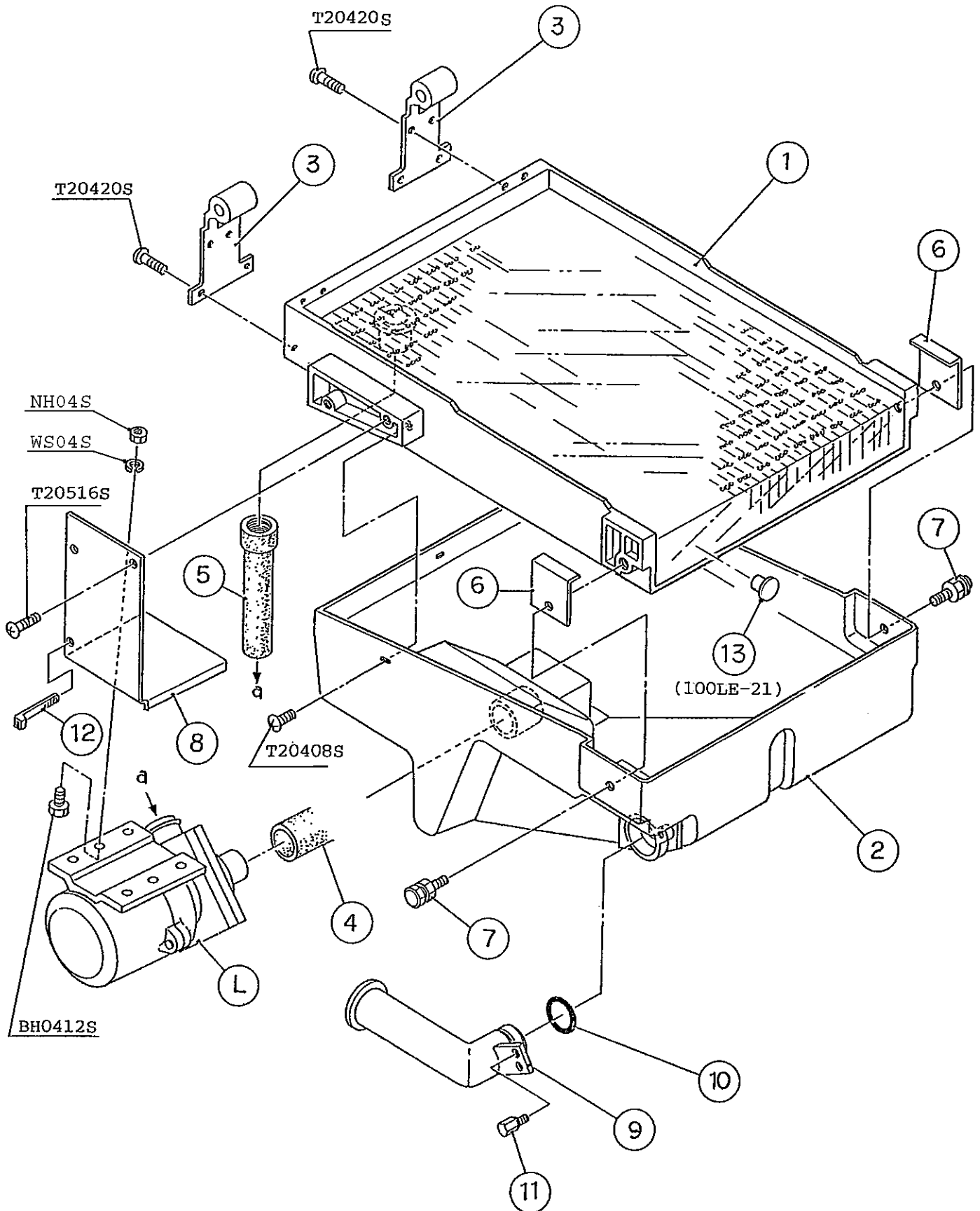
HE,GENERAL,EXPORT,OCEANIA,RINNAI,KOREA,AUSTRALIA,HSP,CHINA

MODEL : IM-100LE, IM-100LE-21 IM-100LE-23, IM-100LE-C								TITLE: J. BIN CONTROL SWITCH ASSY	
INDEX NO.	DESCRIPTION	MATERIAL OR MODEL NUMBER	PART NUMBER	REQ'D NUMBER					
				S-1	S-2 T-0	T-1,U-0 V-0,L-0 M-0			
1	BRACKET	PC	2H2043-01	1	1	1			
2	COVER - BRACKET	PC	4H8785-01	1	1	1			
3	MICROSWITCH	ABV1636618F2	456432-02	1	1	1			
4	ACTUATOR	PC	3H1369-02	1	1	1			
5	DETECTOR	ABS	311044-01	1	1	1			

IM-100LE
IM-100LE-23,-21
IM-100LE-C

K. WATER PAN ASSY

(E-1) and later
(C-0) (D-0) (D-1) (E-0)
(J-0) (K-0) (A-0) (B-0)
(F-1) (G-0) (H-0) (H-1)



HE,GENERAL,EXPORT,OCEANIA,RINNAI,KOREA,AUSTRALIA,HSP

MODEL : IM-100LE IM-100LE-21,-23 TITLE : K. WATER PAN ASSY							
INDEX NO.	DESCRIPTION	MATERIAL OR MODEL NUMBER	PART NUMBER	REQ'D NUMBER			
				F-1 G-0 H-0	H-1 J-0 K-0 A-0 B-0 C-0 D-0	D-1 E-0	E-1 R-0 S-0
L	PUMP MOTOR ASSY	(S-9693)	316043A08	1	1	1	1
1	WATER PLATE	(100LE,-23)	2H0833G02	1	1	1	1
		(100LE-21)	1H0291G01	1	1	1	1
2	WATER PAN	ABS	2H2286G01	1	1	1	1
3	HANGER - WATER PAN	-	3H2059-01	2	2	2	2
4	TUBING - PUMP SUCTION	SI	425437-01	1	1	1	1
5	TUBING - PUMP DISCHARGE	SI	425436-01	1	1	1	1
6	BRACKET	S.S	402957-01	2	2	2	2
7	BOSS	AC	4H2582G01	2	2	2	2
8	BRACKET - PUMP MOTOR	PAINTED STEEL	3H1437-01	1	1	1	1
9	PIPE - OVERFLOW	ABS	315530-01	1	1	1	1
10	"O" RING	G-25	404779-08	1	1	1	1
11	THUMBSCREW	ABS, S.S	415949G01	1	1	1	1
12	TIE	CV-100	7920-0002	1	1	1	1
13	PLUG - CLEANING	(100LE-21)	414061-01	10	10	10	10

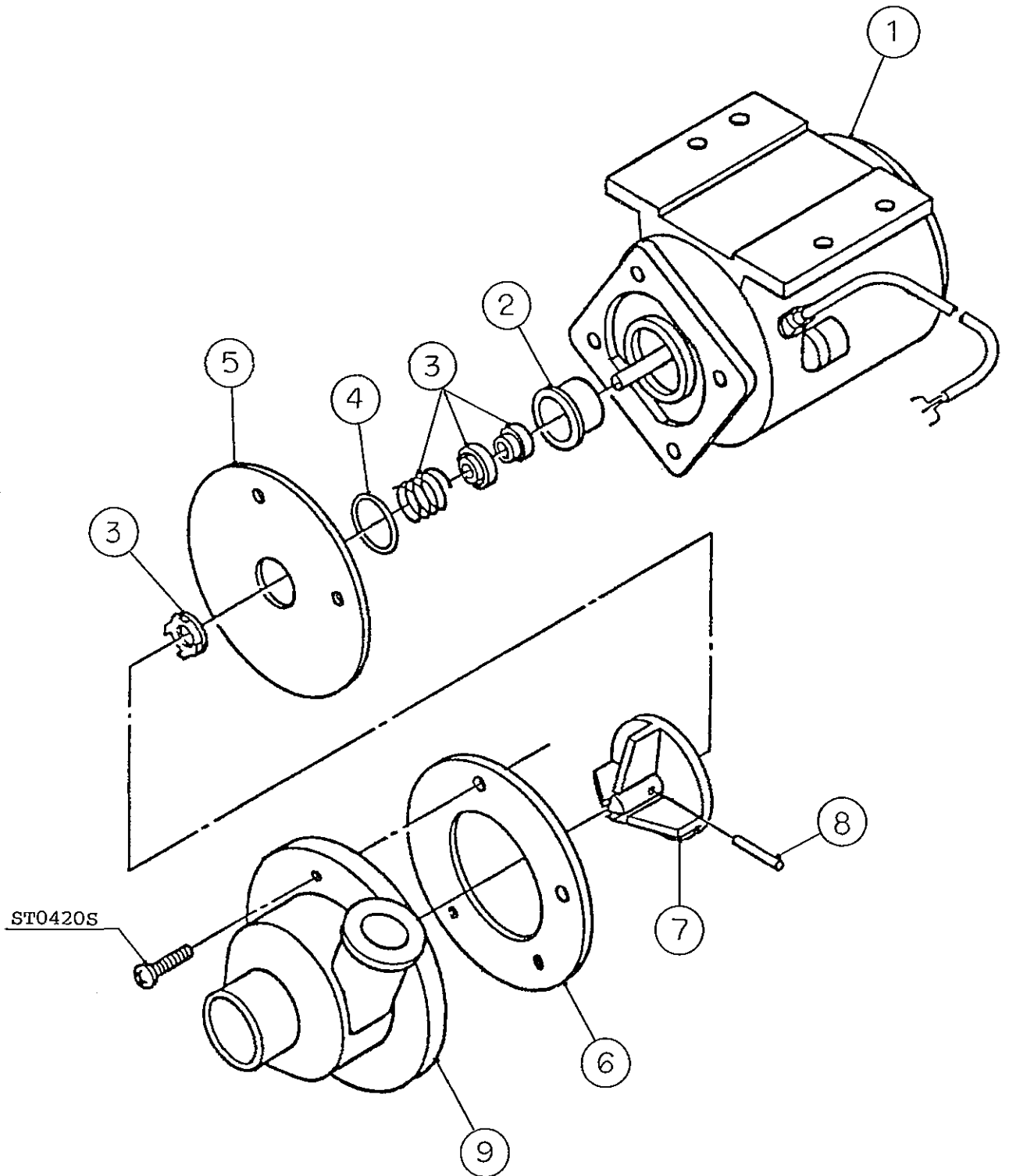
HE,GENERAL,EXPORT,OCEANIA,RINNAI,KOREA,AUSTRALIA,HSP,CHINA

MODEL : IM-100LE, IM-100LE-21 IM-100LE-23, IM-100LE-C TITLE: K. WATER PAN ASSY							
INDEX NO.	DESCRIPTION	MATERIAL OR MODEL NUMBER	PART NUMBER	REQ'D NUMBER			
				S-1	S-2 T-0	T-1,U-0 V-0,L-0 M-0	
L	PUMP MOTOR ASSY (S-9693)	(100LE,-23) (100LE-C)	316043A08	1	1	1	
	PUMP MOTOR ASSY (S-0945)	(100LE-21)	316043A07			1	
1	WATER PLATE	(100LE,-23)	2H0833G02	1	1	1	
		(100LE-21)	1H0291G01	1	1	1	
		(100LE-C)	1H4746G01			1	
2	WATER PAN	ABS	2H2286G01	1	1	1	
3	HANGER - WATER PAN	(100LE,-23) (100LE-21)	3H2059-01	2	2	2	
	BRACKET - WATER PAN	(100LE-C)	4Y6595M01			2	
4	TUBING - PUMP SUCTION	SI	425437-01	1	1	1	
5	TUBING - PUMP DISCHARGE	SI	425436-01	1	1	1	
6	BRACKET	S.S	402957-01	2	2	2	
7	BOSS	AC	4H2582G01	2	2	2	
8	BRACKET - PUMP MOTOR	PAINTED STEEL	3H1437-01	1	1	1	
9	PIPE - OVERFLOW	ABS	315530-01	1	1	1	
10	"O" RING	G-25	404779-08	1	1	1	
11	THUMBSCREW	ABS, S.S	415949G01	1	1	1	
12	TIE	CV-100	7920-0002	1	1	1	
13	PLUG - CLEANING	(100LE-21)	414061-01	10	10	10	

IM-100LE
IM-100LE-23, -21
IM-100LE-C

L. WATER PUMP ASSY

(E-1) and later
(C-0) (D-0) (D-1) (E-0)
(J-0) (K-0) (A-0) (B-0)
(F-1) (G-0) (H-0) (H-1)



HE,GENERAL,EXPORT,OCEANIA,RINNAI,KOREA,AUSTRALIA,HSP

MODEL : IM-100LE							
IM-100LE-21,-23				TITLE : L. WATER PUMP ASSY			
INDEX NO.	DESCRIPTION	MATERIAL OR MODEL NUMBER	PART NUMBER	REQ'D NUMBER			
				F-1 G-0 H-0	H-1 J-0 K-0 A-0 B-0 C-0 D-0	D-1 E-0	E-1 R-0 S-0
1	PUMP MOTOR	APTA4B2P10L2	451803-01	1	1	1	1
2	RETAINER	S.S	418584-01	1	1	1	1
3	MECHANICAL SEAL (B)	(100LE,-23)	465627-01	1	1	1	1
		(100LE-21)	415817-01	1	1	1	1
4	"O" RING	P18	7611-P018	1	1	1	1
5	FLANGE - "O" RING	S.S	425640-01	1	1	1	1
6	PACKING	NR	425639-01	1	1	1	1
7	IMPELLER	ABS	424927-01	1	1	1	1
8	PIN	S.S	414102-01	1	1	1	1
9	PUMP HOUSING	ABS	208019-01	1	1	1	1

HE,GENERAL,EXPORT,OCEANIA,RINNAI,KOREA,AUSTRALIA,HSP,CHINA

MODEL : IM-100LE, IM-100LE-21 IM-100LE-23, IM-100LE-C				TITLE: L. WATER PUMP ASSY			
INDEX NO.	DESCRIPTION	MATERIAL OR MODEL NUMBER	PART NUMBER	REQ'D NUMBER			
				S-1	S-2 T-0	T-1,U-0 V-0,L-0 M-0	
1	PUMP MOTOR	APTA4B2P10L2	451803-01	1	1	1	
2	RETAINER	S.S	418584-01	1	1	1	
3	MECHANICAL SEAL (B)	(100LE,-23) (100LE-C)	465627-01	1	1	1	
		(100LE-21)	415817-01	1	1	1	
4	"O" RING	P18	7611-P018	1	1	1	
5	FLANGE - "O" RING	S.S	425640-01	1	1	1	
6	PACKING	S.S	425639-01	1	1	1	
7	IM PELLER	ABS	424927-01	1	1	1	
8	PIN	S.S	414102-01	1	1	1	
9	PUMP HOUSING	ABS	208019-01	1	1	1	

IM-100LE
IM-100LE-23, -21
IM-100LE-C

M. ACCESSORIES

(E-1) and later
(C-0) (D-0) (D-1) (E-0)
(J-0) (K-0) (A-0) (B-0)
(F-1) (G-0) (H-0) (H-1)

