



First Choice
Group

SPARE PARTS DIAGRAM FOR



HOSHIZAKI

Ice Machine

IM-130LE

IM-130LE-21

IM-130LE-23

First Choice Group
Blakeney Way, Kingswood Lakeside
Cannock, Staffs, WS11 8LD
TEL: 01543 577778 FAX: 01543504141
Email: enquires@firstchoice-cs.co.uk
Web: www.firstchoice-cs.co.uk

NO. E1AN-1856

ISSUED: OCT. 15, 1996

FINAL: FEB. 02, 2002



**HOSHIZAKI
SELF-CONTAINED CUBER**

**MODEL IM-130LE
IM-130LE-21
IM-130LE-23**

PARTS LIST

[HE, GENERAL, RINNAI, OCEANIA]

F-1 JUN. 1996

G-0 DEC. 1996

H-0 DEC. 1997

H-1 MAR. 1998

FINAL

MATERIAL ABBREVIATIONS

PLASTIC

ABS	=	Acrylonitrile-butadien-styrene
AC	=	Polyacetal
EVA	=	Ethylene vinyl acetate
PA	=	Polyamide =Nylon
PC	=	Polycarbonate
PE	=	Polyethylene
PES	=	Polyester
PETP	=	Polyethylene terephthalate =Tetlon
PF	=	Phenol-formaldehyde
PP	=	Polypropyleneoride
PS	=	Polystyrene
PTFE	=	Polytetrafluoroethylene =Teflon
PUR	=	Polyurethane
PVC	=	Polyvinyl chloride

RUBBER

EPDM	=	EP rubber
NBR	=	Nitrile butadiene rubber
NR	=	Natural rubber
SI.R	=	Silicone rubber
SY.R	=	Synthetic rubber

STEEL

G.S	=	Galvanized steel
S.S	=	Stainless steel

AUXILIARY CODE

Ex.1 K-0
Parts are the same as in the preceding year.
"K" is the tenth in alphabetical order with "I" skipped. So, "K" indicates "1990".

Ex.2 A-1
"A" is the first in alphabetical order. So, "A" indicates "1991".

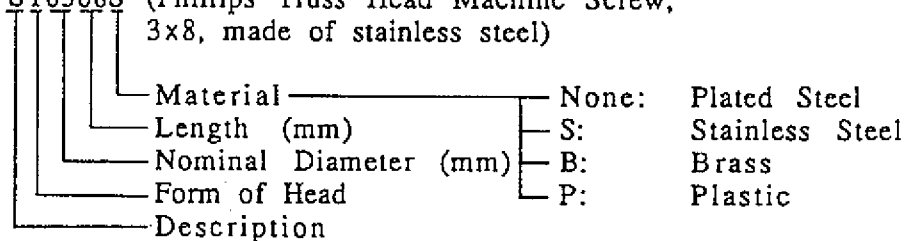
Ex.3 A-2
Each time a part is changed in a year, this number advances.

(Note) --=Part deleted.
X=Part deleted and replaced by "O" part.
O=New part for "X" in the same auxiliary code.

FASTENER ABBREVIATION LIST

ST	Phillips Truss Head Machine Screw
SP	Phillips Pan Head Machine Screw
SF	Phillips Flat Head Machine Screw
SS	Phillips Pan Head Machine Screw with Split Lock Washer
SW	Phillips Pan Head Machine Screw with Split Lock Washer and Flat Washer
T1	Phillips Truss Head Tapping Screw (Correspond to Type A)
T2	Phillips Truss Head Tapping Screw (Correspond to Type B)
T3	Phillips Truss Head Tapping Screw (Correspond to Type C)
FT	Phillips Truss Head Tapping Screw (Special)
BH	Hexagon Head Bolt
BC	Socket Head Cap Screw
BS	Hexagon Bolt with Split Washer
BW	Hexagon Bolt with Split Washer and Flat Washer
BF	Hexagon Flange Bolt
BR	Cross-Recessed Hexagon Head Bolt
BRW	Cross-Recessed Hexagon Head Bolt with Split Lock Washer and Flat Washer
WL	Split Lock Washer
WT	External Tooth Washer
WF	Flat Washer
WS	Spring Washer
NH	Hexagon Nut
NF	Hexagon Flange Nut
NC	Hexagon Cap Nut
NS	Square Nut
NW	Wing Nut

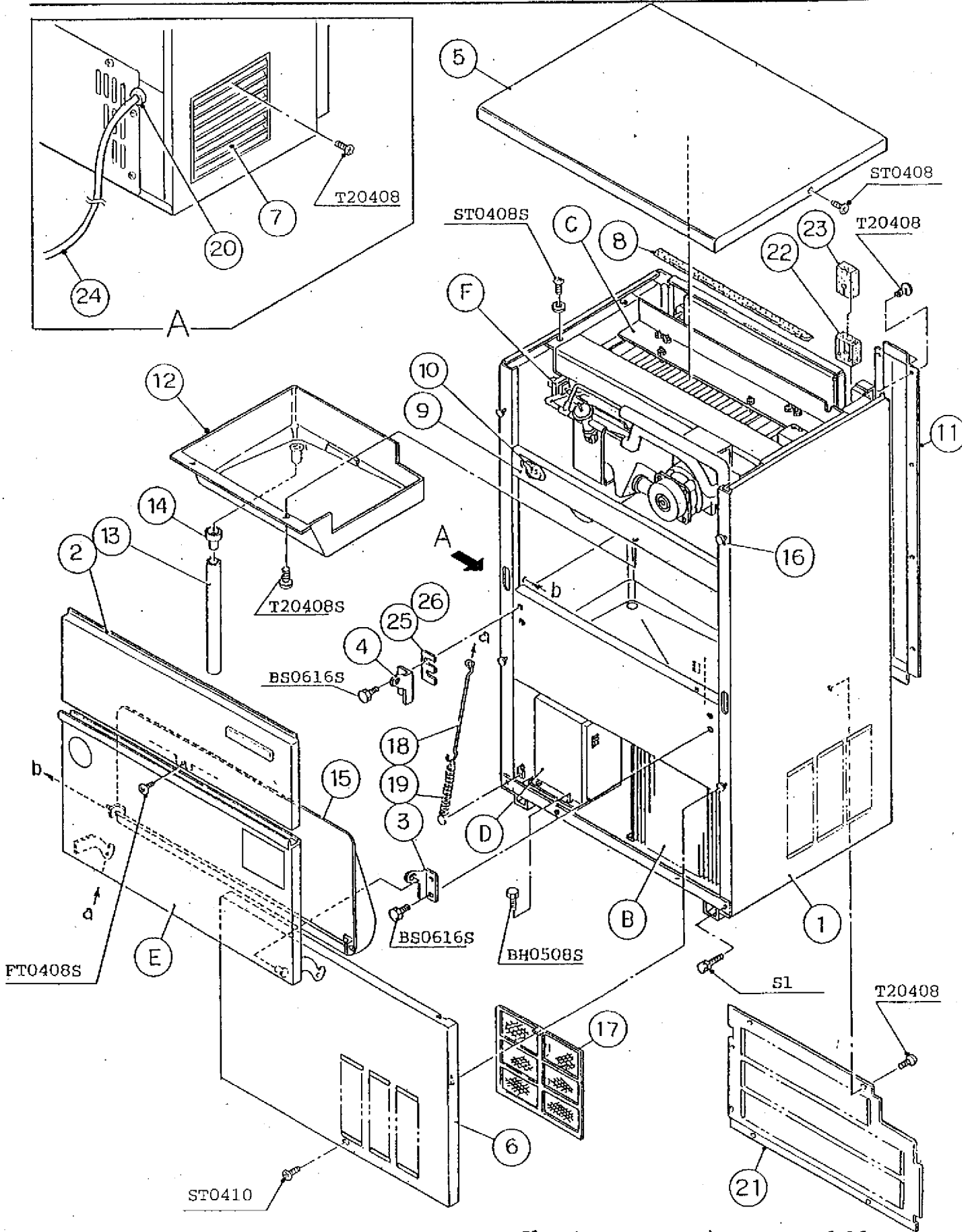
Ex. ST0308S (Phillips Truss Head Machine Screw, 3x8, made of stainless steel)



(Note) Second character is numerical except the list.

Ex. S1, S2, B3 etc.

And abbreviations and names are shown under the illustration.



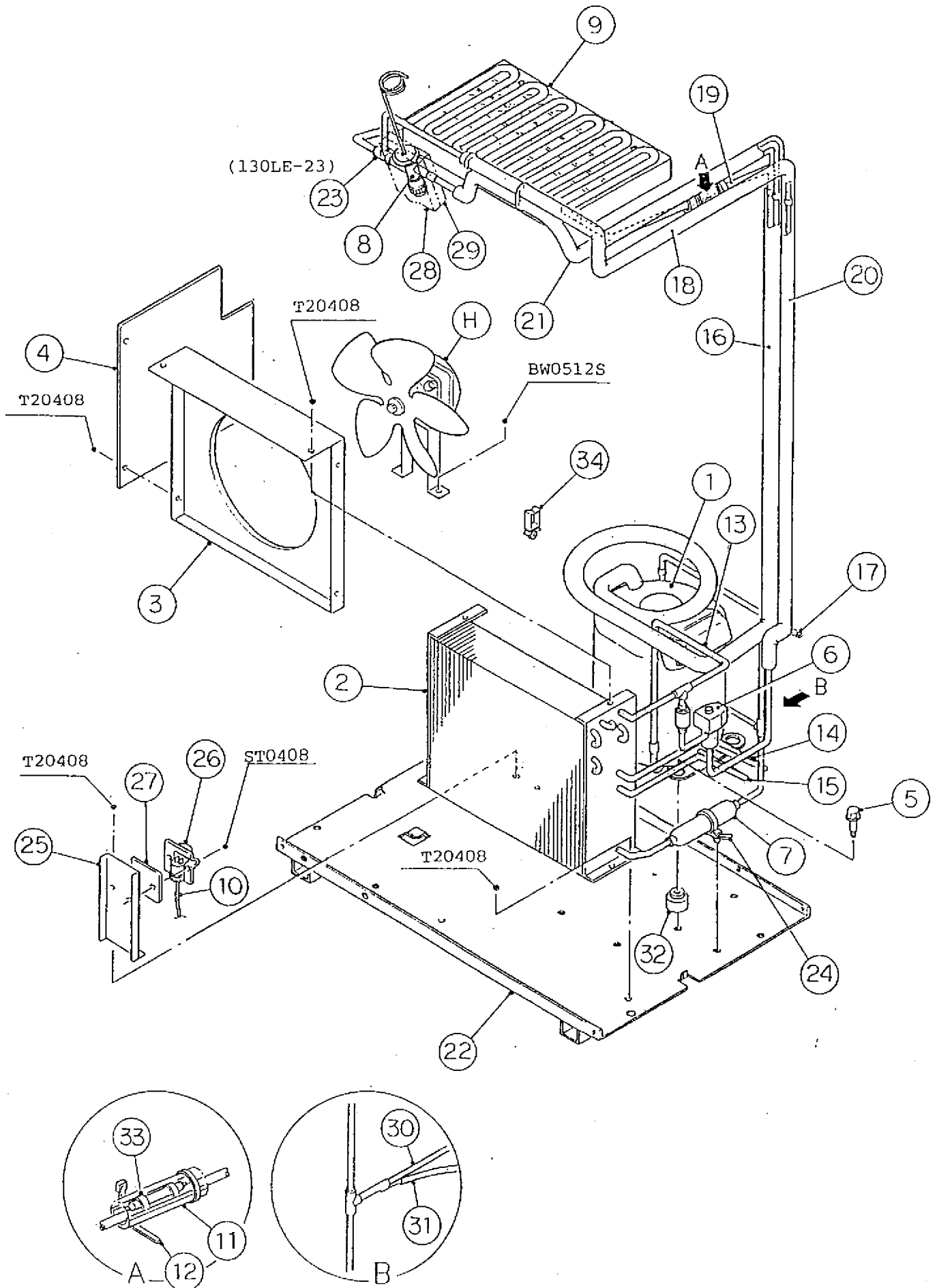
S1 - Hexagon Tapping Screw, 6x16

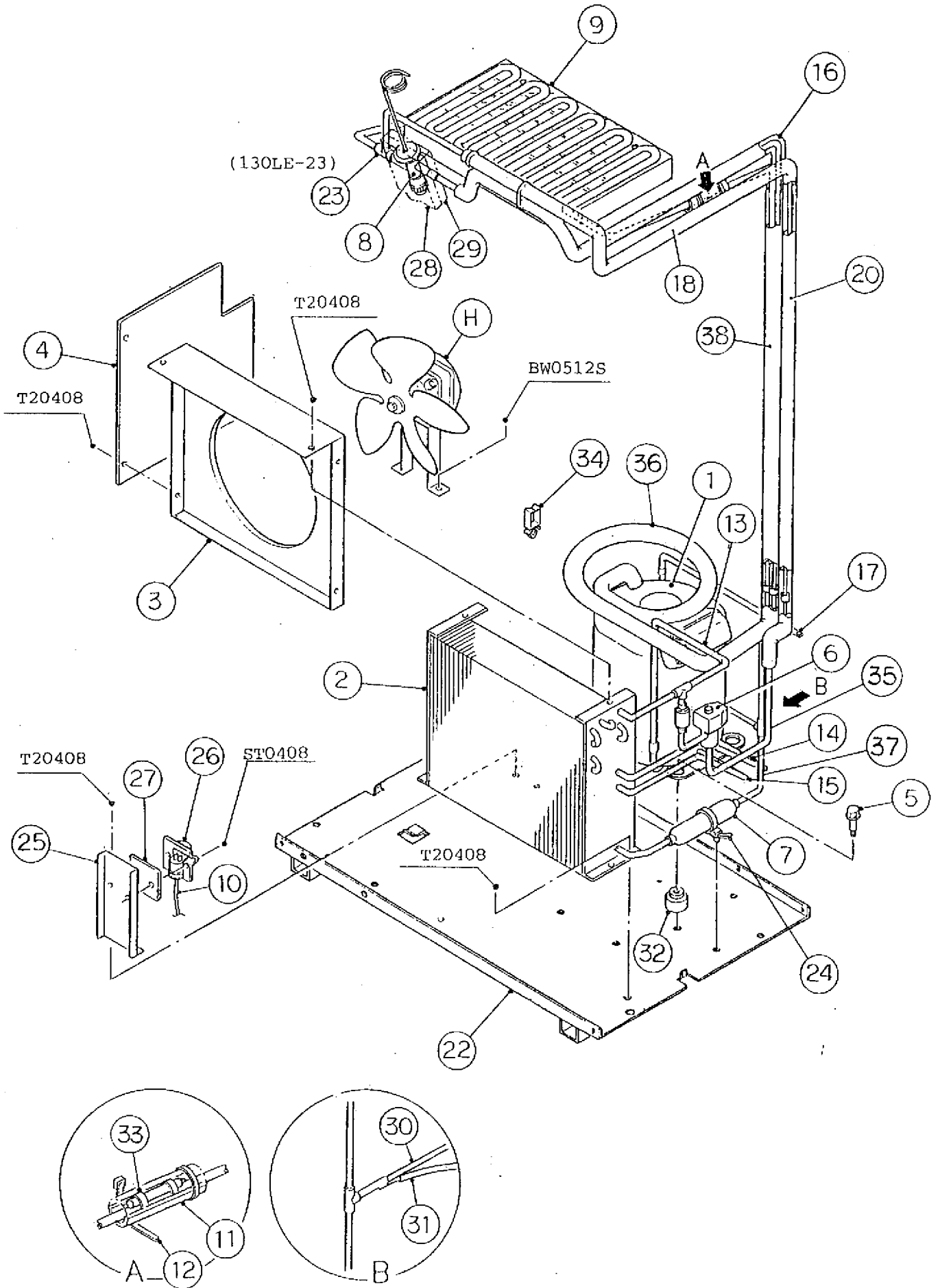
HE, GENERAL, RINNAI, OCEANIA

MODEL: IM-130LE IM-130LE-23, -21		TITLE: A. ICE CUBER ASSY					
INDEX NO.	DESCRIPTION	MATERIAL OR MODEL NUMBER	PART NUMBER	REQ'D NUMBER			
				F-1 G-0 H-0	H-1		
B	REFRIGERATION UNIT	(IM-130LE)	1H0980A02	1	1		
	REFRIGERATION UNIT	(IM-130LE-23, -21)	-	1	1		
C	ICE MAKING MECHANISM ASSY	(IM-130LE)	1H0268A06	1	1		
	ICE MAKING MECHANISM ASSY	(IM-130LE-23, -21)	-	1	1		
D	CONTROL BOX ASSY	-	2H3215A01	1	-		
		-	2H3620A01		1		
E	DOOR ASSY	-	3H1420A06	1	1		
F	WATER CIRCUIT ASSY	-	3H9588A01	1	1		
G	LABEL LOCATION	(IM-130LE)	3H9564A02	1	1		
	LABEL LOCATION	(IM-130LE-23, -21)	-	1	1		
1	UNIT FRAME	-	1H1259G01	1	1		
2	FRONT PANEL (UPPER)	S.S	3H8109G04	1	-		
		S.S	3H8109G08		1		
3	HINGE (RIGHT)	S.S	4H2583-01	1	1		
4	HINGE (LEFT)	S.S	4H2584-01	1	1		
5	TOP PANEL	S.S	3H9606G01	1	1		
6	FRONT PANEL (LOWER)	S.S	3H9631G01	1	1		
7	LOUVER	ABS	101812-09	1	1		
8	SEAL	TP-230, t3x15x700	1H1525-44	1	1		
9	FRONT FRAME	S.S	3H1428-01	1	1		
10	INSULATION - FRONT FRAME	PE	4H2687-02	1	1		
11	COVER - PIPE	G.S	3H1436-01	1	1		
12	DRAIN PAN	ABS	2H1935-01	1	1		
13	PIPE - DRAIN	ABS	4H2688-01	1	1		
14	DRAIN TUBE	SI	4H2585-01	1	1		
15	SLOPE	ABS	3H1452G01	1	1		
16	TAPER COLLAR	S.S	4H0171-01	4	4		
17	AIR FILTER	PP	208284G02	1	1		
18	HOOK	S.S	4H2685-01	1	1		

HE, GENERAL, RINNAI, OCEANIA

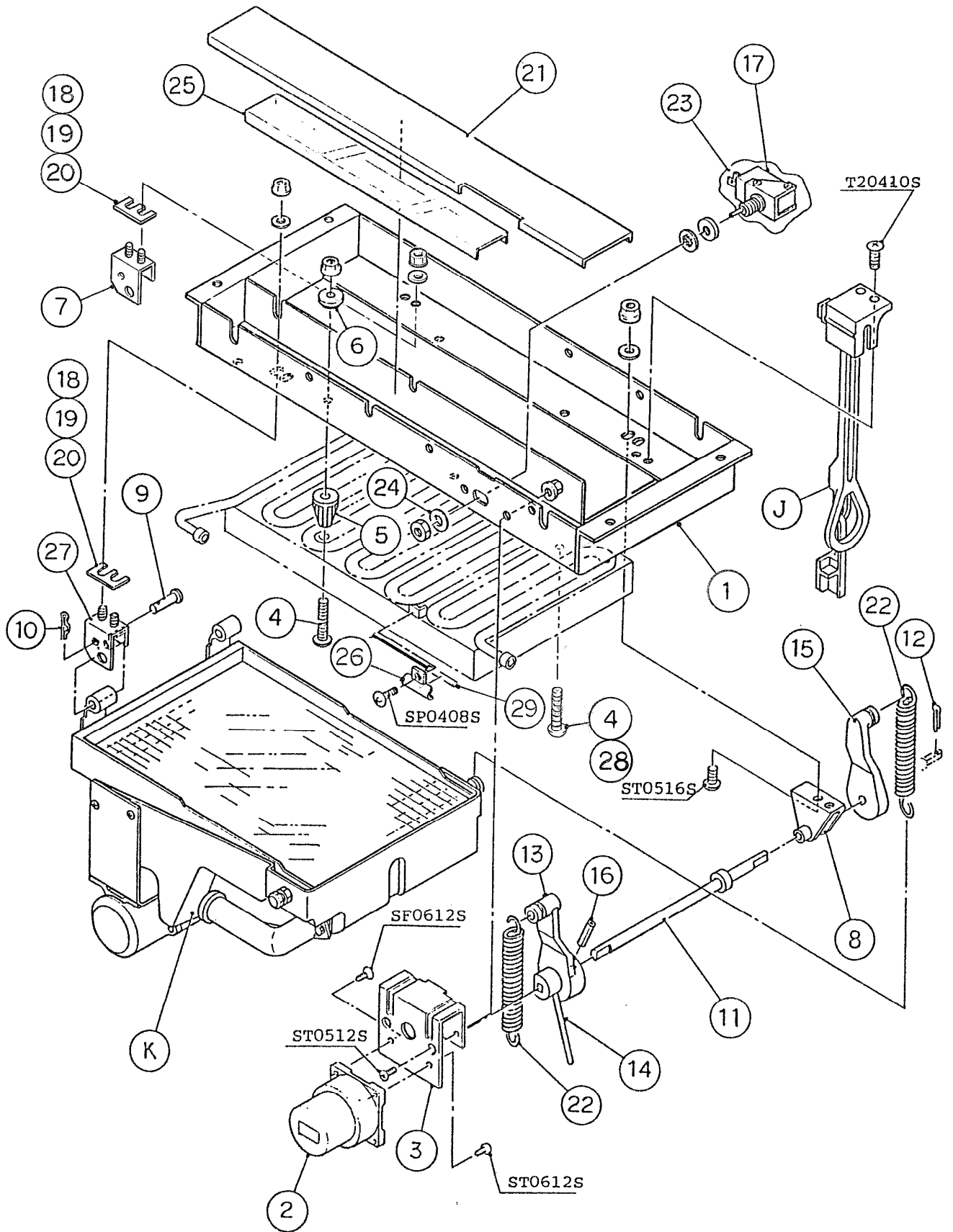
MODEL: IM-130LE IM-130LE-23, -21		TITLE: A. ICE CUBER ASSY					
INDEX NO.	DESCRIPTION	MATERIAL OR MODEL NUMBER	PART NUMBER	REQ'D NUMBER			
				F-1 G-0 H-0	H-1		
19	SPRING	ZINC-PLATED WIRE	4H0823-01	1	1		
20	CORD BUSHING	CEE-SR-6P-10	448949-01	1	1		
21	REAR PANEL	S.S	3H9610-01	1	1		
22	INSULATION (A)	PE	4H2683-01	1	1		
23	INSULATION (B)	PE	4X5297-01	1	1		
24	POWER SUPPLY CORD (CONTINENTAL)	(HE)	452263-01	1	1		
	POWER SUPPLY CORD (UK)	(HE)	4X3521G01	1	1		
	POWER CORD	(GENERAL) (OCEANIA)	4X3520G01	1	1		
	POWER CORD	(RINNAI)	452997-01	1	1		
25	HINGE SPACER (A)	S.S	4H0605-01	1	1		
26	HINGE SPACER (B)	S.S	4H0605-02	1	1		





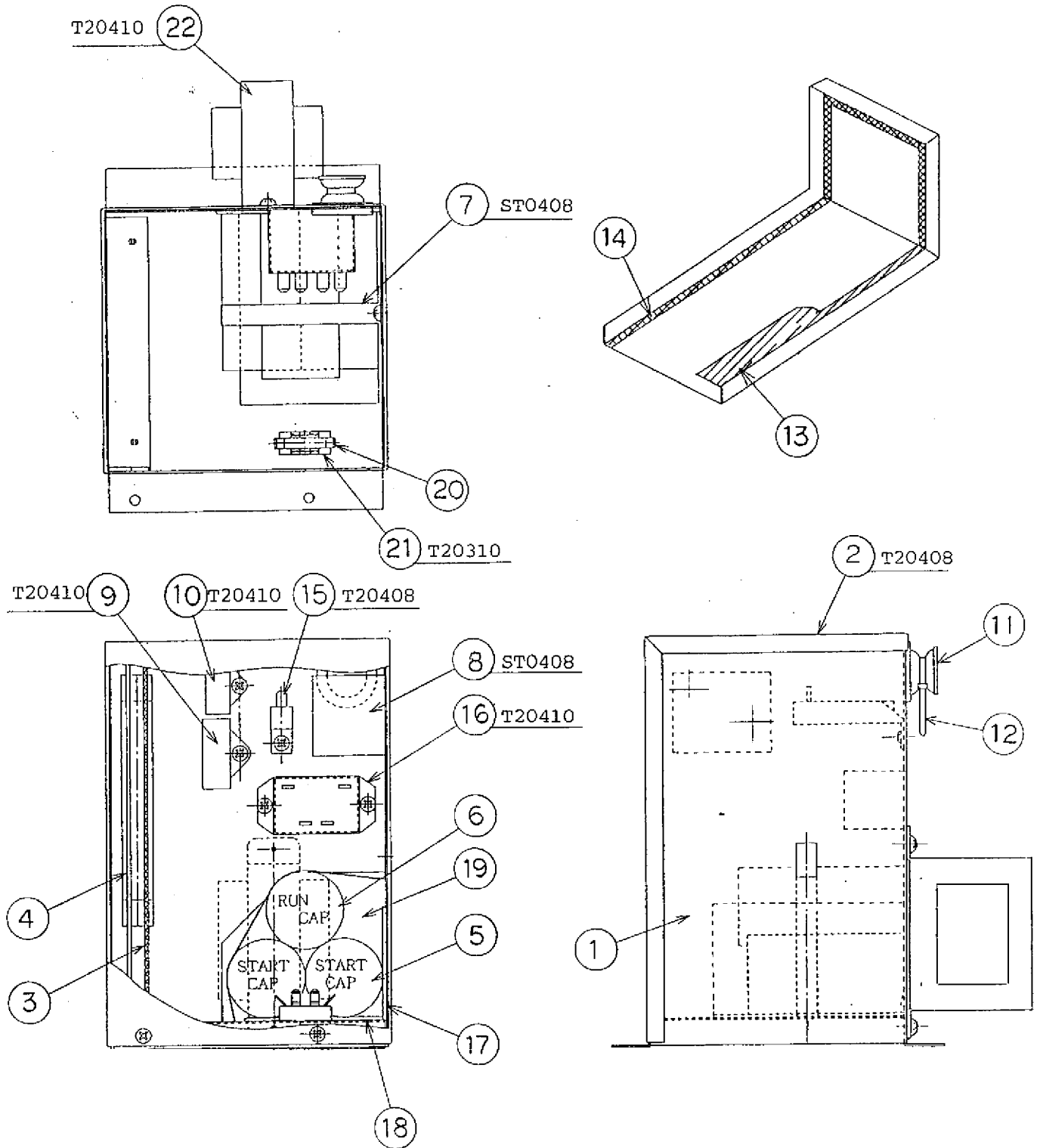
HE, GENERAL, RINNAI, OCEANIA

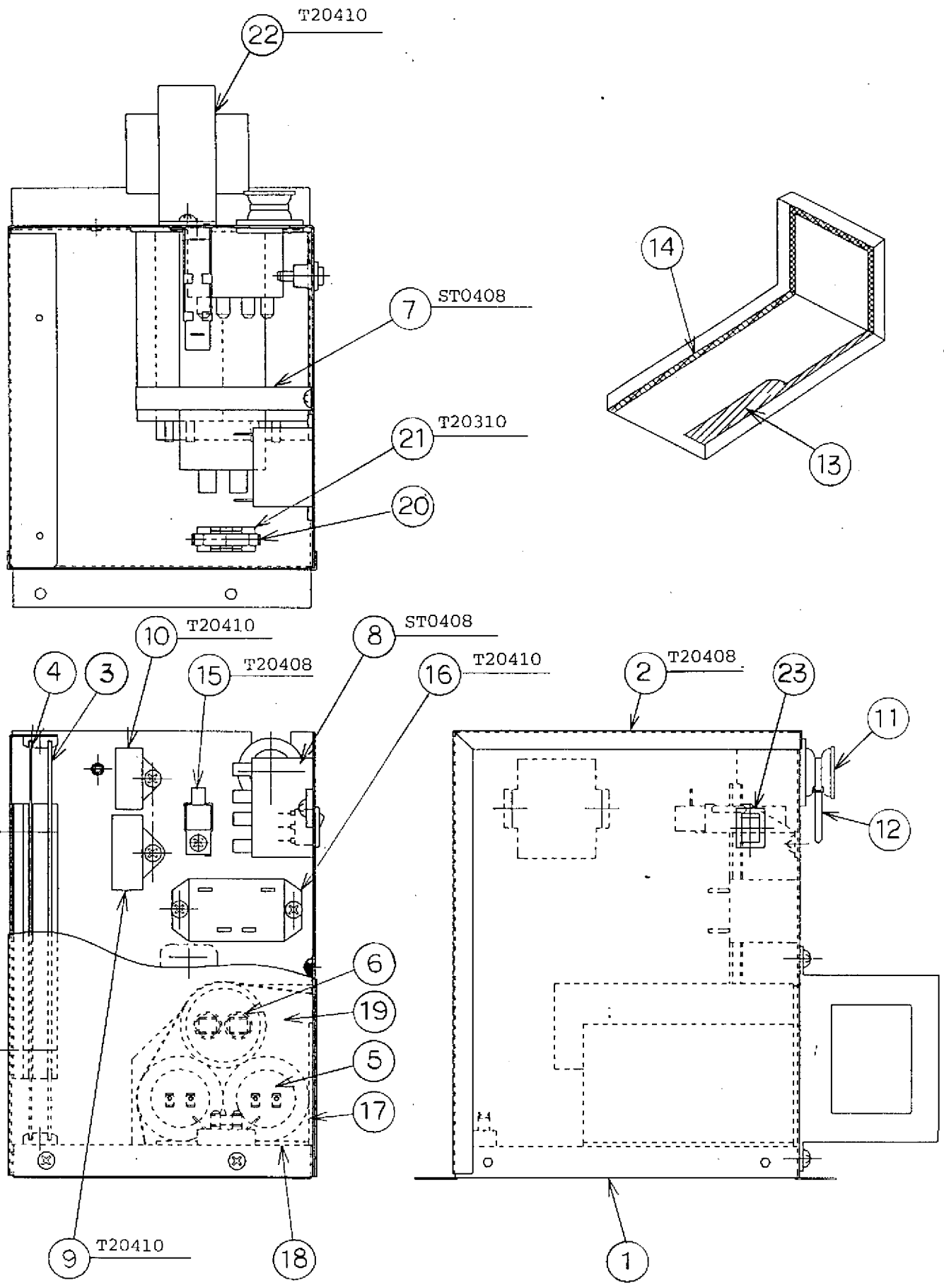
MODEL: IM-130LE IM-130LE-23, -21				TITLE: B. REFRIGERATION UNIT			
INDEX NO.	DESCRIPTION	MATERIAL OR MODEL NUMBER	PART NUMBER	REQ'D NUMBER			
				F-1	G-0 H-0	H-1	
H	FAN MOTOR ASSY	(S-0949)	3H9447A01	1	1	1	
1	COMPRESSOR	KF220JIN-4	444747-01	1	1	1	
2	CONDENSER	-	2H3292-01	1	1	1	
3	SHROUD	G.S	3H1938-01	1	1	1	
4	BARRIER	G.S	3H2026-01	1	1	1	
5	BOLT	-	448833-01	4	4	4	
6	HOT GAS VALVE	ABS-25-1-HD	418636-01	1	1	1	
7	DRIER	DU032.5S	452695-01	1	1	1	
8	EXPANSION VALVE	FSE-5HHD	446319-01	1	1	1	
9	EVAPORATOR	(IM-130LE)	2H0698G01	1	1	1	
	EVAPORATOR (S-0796)	(IM-130LE-23)	2H1836G01	1	1	1	
	EVAPORATOR	(IM-130LE-21)	2H0716G02	1	1	1	
10	PRESSURE SWITCH	SAP-Q280HD-1	425648-07	1	1	1	
11	INSULATION TUBE	φ 25x φ 35xL130	1H0980-27	1	1	1	
12	TIE	CV-150	7920-0003	4	4	4	
13	PIPE (A) - HIGH SIDE	COPPER	4H3382G01	1	1	1	
14	PIPE (A) - OIL COOLER	COPPER	4H4426-03	1	1	1	
15	PIPE (B) - OIL COOLER	COPPER	4H4426-04	1	1	1	
16	HEAT EXCHANGER	-	3H6201G03	1	-		
		-	4X5034G01		1	1	
17	PROCESS TUBE	COPPER	4H2711-02	1	1	1	
18	PIPE (A) - HOT GAS	COPPER	4H2712G01	1	-		
		COPPER	4X5120G01		1	1	
19	PIPE (A) - LOW SIDE	COPPER	4H2716-01	1	-		
20	PIPE (B) - HOT GAS	COPPER	4X1287G01	1	-		
21	PIPE (C) - HIGH SIDE	COPPER	4H2713G01	1	-		
22	CHASSIS	PAINTED STEEL	3H8569G01	1	1	1	
23	TEE	(IM-130LE-23)	420335-01	1	1	1	
24	TIE	T50RSF	436156-02	1	1	1	
25	BRACKET - PRESSURE SWITCH	G.S	4H3712-01	1	1	1	
26	BRACKET - PRESSURE SWITCH	ABS	4H2756-01	1	1	1	
27	INSULATING PLATE	ABS	4H3046G01	1	1	1	



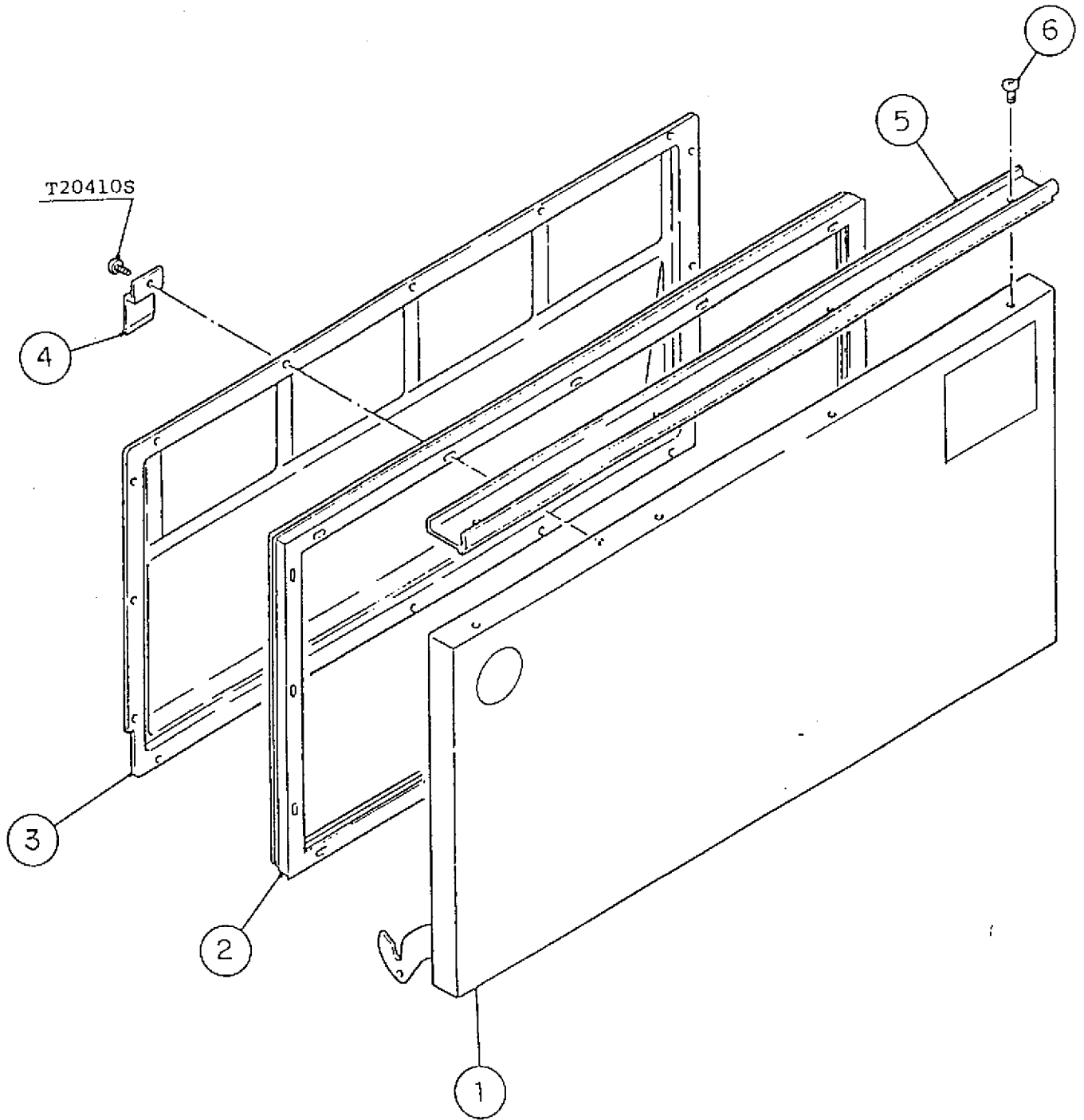
HE, GENERAL, RINNAI, OCEANIA

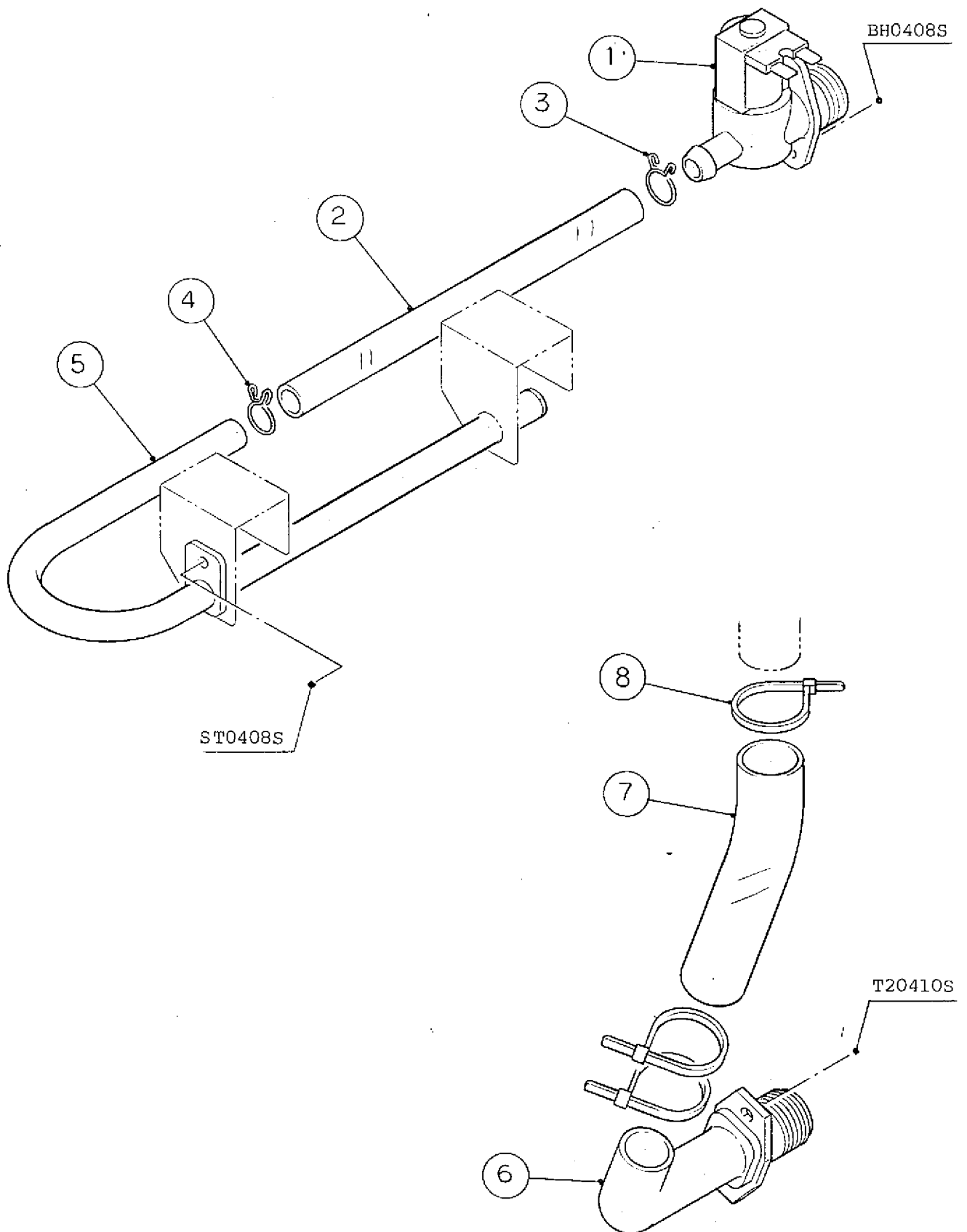
MODEL: IM-130LE IM-130LE-23, -21		TITLE: C. ICE MAKING MECHANISM ASSY					
INDEX NO.	DESCRIPTION	MATERIAL OR MODEL NUMBER	PART NUMBER	REQ'D NUMBER			
				F-1 G-0 H-0	H-1		
J	BIN CONTROL SWITCH ASSY	(S-0819)	3H1538A02	1	1		
K	WATER PAN ASSY	(IM-130LE, -23)	2H0679A04	1	1		
	WATER PAN ASSY	(IM-130LE-21)	2H0679A07	1	1		
1	BRACKET - ICEMAKING MECHANISM	(IM-130LE, -23)	3H9594-01	1	1		
	BRACKET - ICEMAKING MECHANISM	(IM-130LE-21)	3X0254-01	1	1		
2	ACTUATOR MOTOR	SR65A41-13	452499-01	1	1		
3	BRACKET - ACTUATOR MOTOR	PAINTED STEEL	4H2679-01	1	1		
4	BOLT - EVAPORATOR MOUNTING	(IM-130LE)	4H2678-01	4	4		
	BOLT - EVAPORATOR MOUNTING	(IM-130LE-23)	4H2886-01	4	4		
	BOLT - EVAPORATOR MOUNTING	(IM-130LE-21)	4H2886-01	2	2		
5	COLLAR	(IM-130LE)	3H3879-01	4	4		
	COLLAR	(IM-130LE-21,-23)	4H2806-01	4	4		
6	WASHER	AC	4H0777-01	4	4		
7	HANGER BRACKET	S.S	3H1440G02	1	1		
8	CAM SHAFT HOLDER	ABS	3I2633-01	1	1		
9	SHAFT (B)	S.S	4H1184-02	2	2		
10	SNAP PIN	S.S, No.6	715S-0600	2	2		
11	CAM SHAFT	S.S	4X3298G01	1	1		
12	SPLIT PIN	S.S, 2x12	711S-0212	1	1		
13	CAM (A)	(303881A02)	306543G02 -	1	1		
14	CHANGE LEVER	S.S	406261-01	1	1		
15	CAM (B)	AC	315775-01	1	1		
16	SPRING PIN	S.S, 3x28	712S-0328	1	1		
17	TOGGLE SWITCH	VAT4-71	431977-01	1	1		
18	SHIM (A) - EVAPORATOR	S.S	4H2691-01	REQ'D	REQ'D		
19	SHIM (B) - EVAPORATOR	S.S	4H2691-02	REQ'D	REQ'D		
20	SHIM (C) - EVAPORATOR	S.S	4H2691-03	REQ'D	REQ'D		
21	COVER - ICE MAKING MECHANISM BRACKET	PVC	4H2681-01	1	1		
22	SPRING	S.S	4H0287-01	2	2		
23	SWITCH COVER	PE	408163-01	1	1		

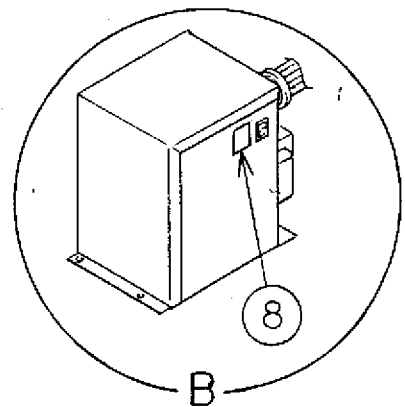
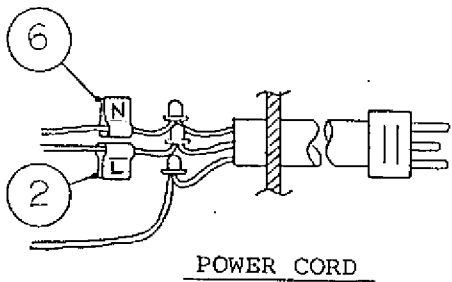
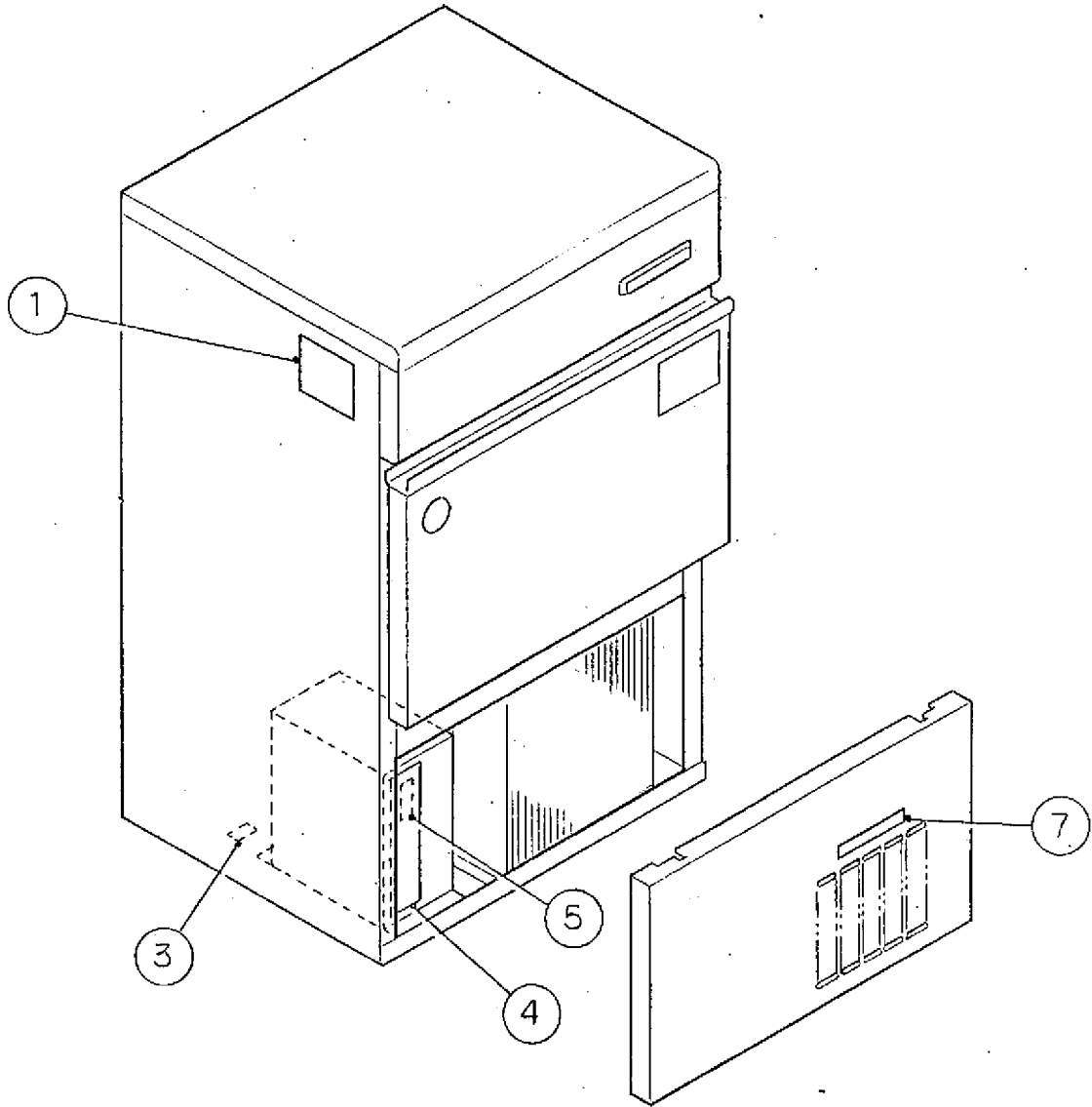


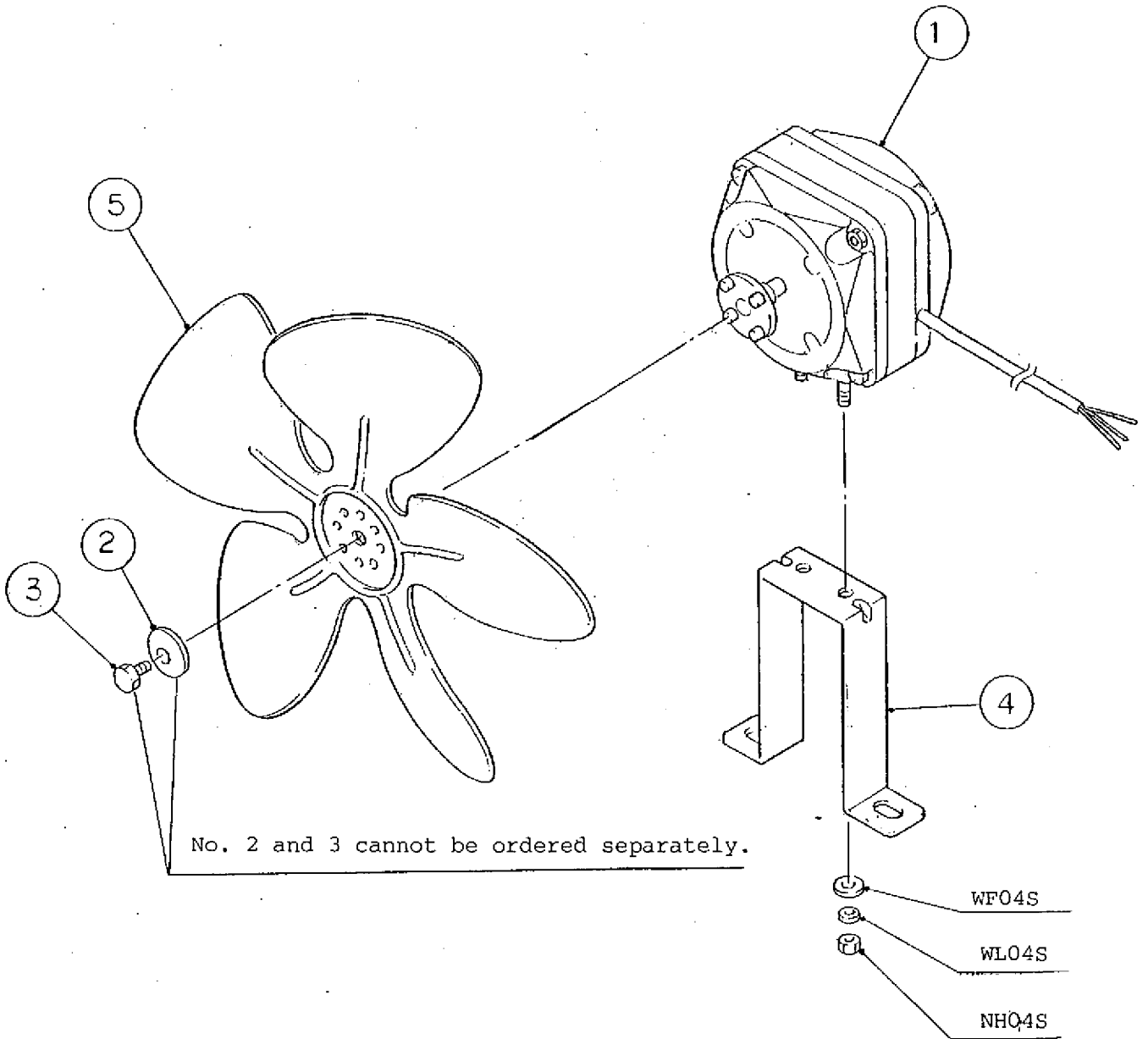


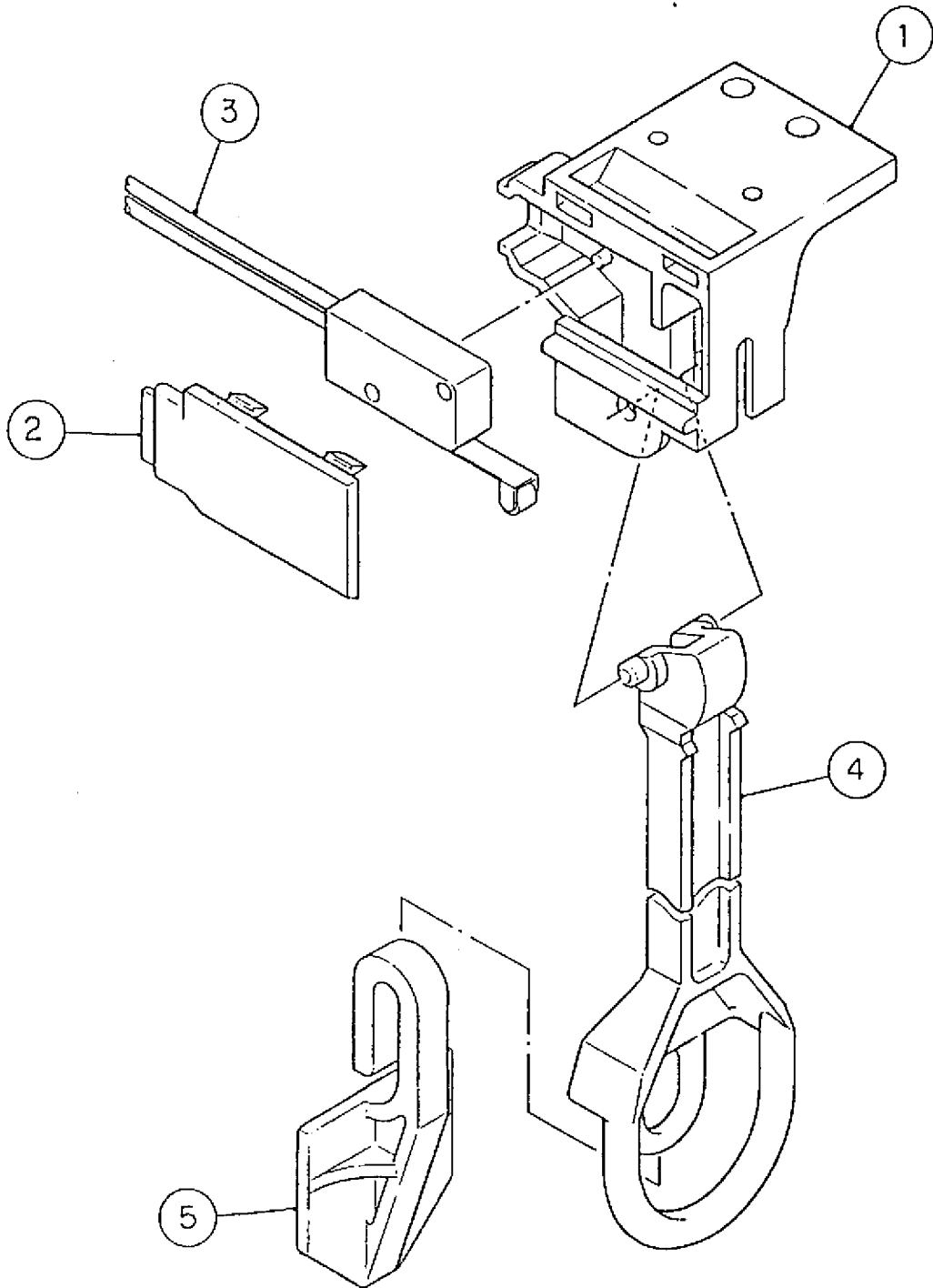
MODEL: IM-130LE IM-130LE-23, -21		TITLE: D. CONTROL BOX ASSY					
INDEX NO.	DESCRIPTION	MATERIAL OR MODEL NUMBER	PART NUMBER	REQ'D NUMBER			
				F-1 G-0 H-0	H-1		
1	CONTROL BOX	G.S	3H9427G01	1	-		
		G.S	3H9427G02		1		
2	COVER - CONTROL BOX	G.S	3H9430-01	1	1		
3	CONTROLLER BOARD	-	436572-02	1	1		
4	SHIELD PLATE	G.S	4H2594-01	1	1		
5	START CAPACITOR	MS220F100AJ-R	421080-01	2	2		
6	RUN CAPACITOR	PMWT-45150P	431464-06	1	1		
7	STRAP - CAPACITOR	G.S	4H3478-01	1	1		
8	STARTER	AMVL-275BF	440251-05	1	1		
9	CAPACITOR - PUMP MOTOR	4.0 μ F	427250-02	1	1		
10	CAPACITOR - ACTUATOR MOTOR	0.8 μ F	416969-01	1	1		
11	GROMMET	NBR	4H2568-01	1	1		
12	NYLON TIE	PRT1.5S	427466-01	1	1		
13	CUSHION	20x210x2.5t, PE	4H2718-01	1	1		
14	SEAL TAPE	w12x13.0	2H3210-20	1	1		
15	SURGE ABSORBER	-	436573-02	1	1		
16	POWER RELAY	G7L-1A-TUB	449000-01	1	1		
17	COVER (A) / CAP	ABS	4X1419-01	1	1		
18	COVER (B) / CAP	ABS	4X1419-02	1	1		
19	COVER (C) / CAP	ABS	4X1418-01	1	1		
20	FUSE	5A	451924-01	1	1		
21	FUSE HOLDER	445710	451925-01	1	1		
22	TRANSFORMER	220~240V/100V	450104-01	1	1		
23	LOCKER SWITCH	SL6D2	446719-01		1		

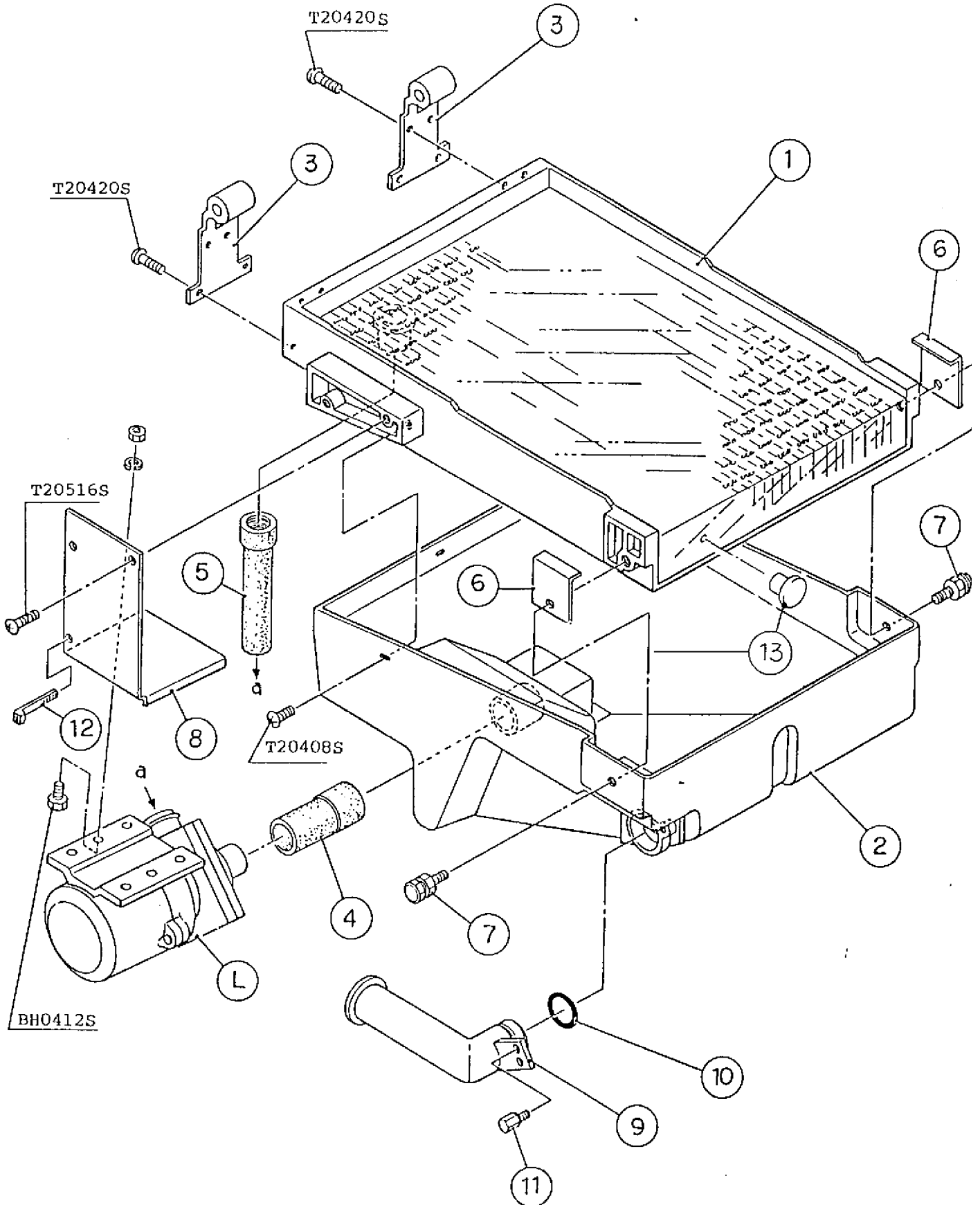








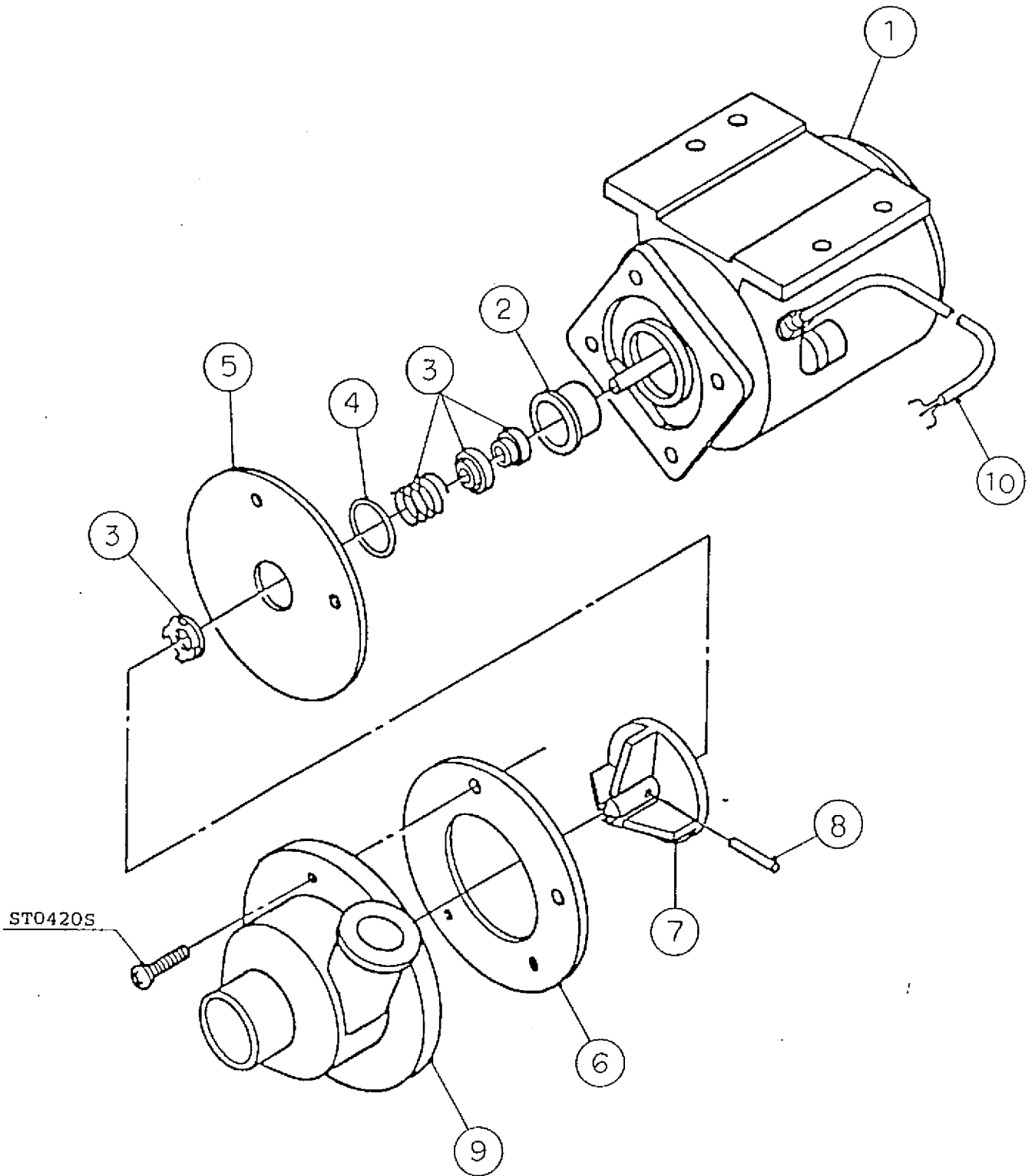


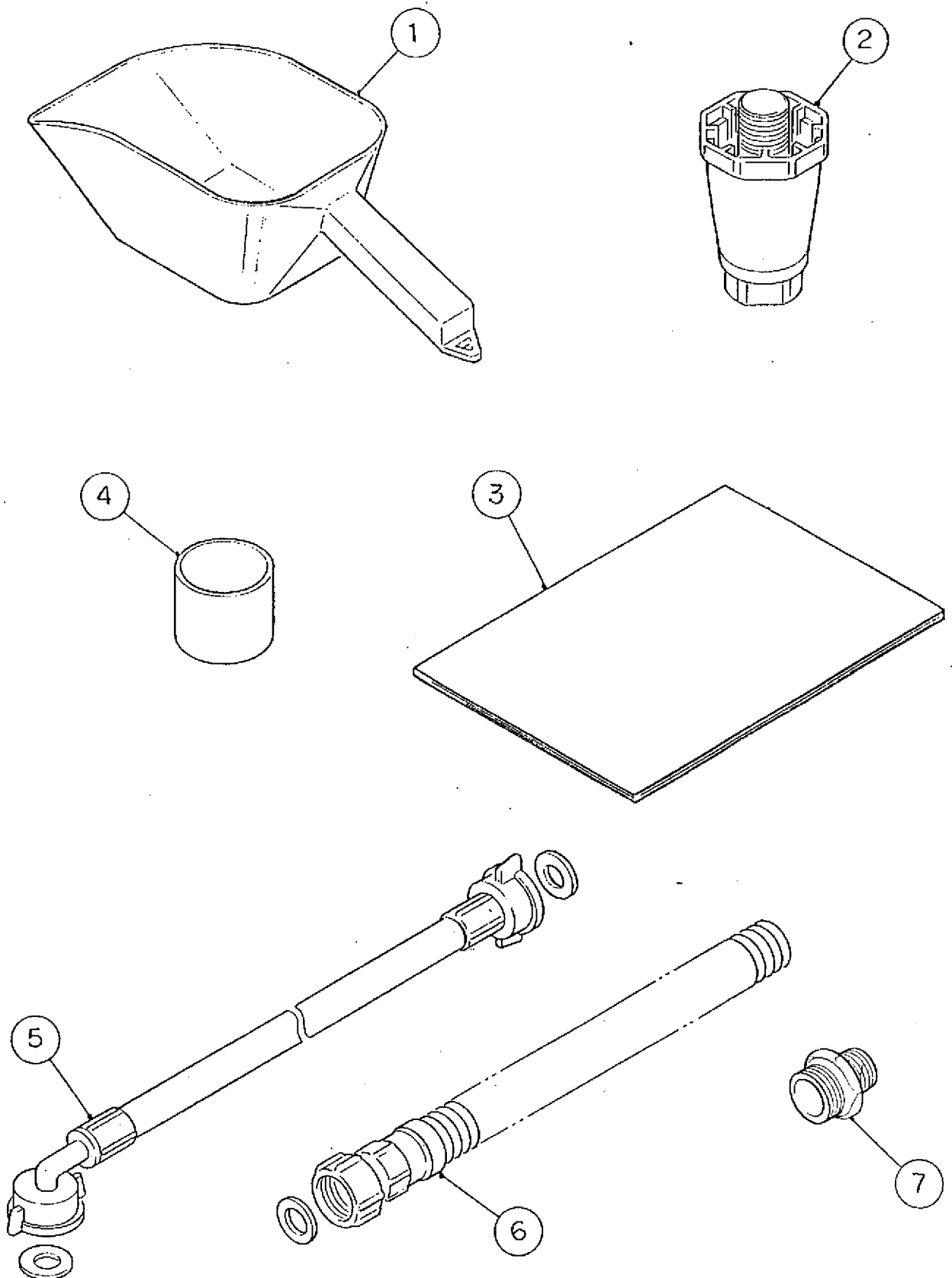


IM-130LE
IM-130LE-23,-21

L. WATER PUMP ASSY

(H-1)(H-0)
(G-0)(F-1)





MODEL: IM-130LE		TITLE: M. ACCESSORIES					
IM-130LE-23, -21							
INDEX NO.	DESCRIPTION	MATERIAL OR MODEL NUMBER	PART NUMBER	REQ'D NUMBER			
				F-1 G-0 H-0	H-1		
1	SCOOP	PE	208185-01	1	1		
2	LEG	(HE) (RINNAI) SDKO-90H-NS	446729-01	4	4		
3	INSTRUCTION MANUAL	PAPER	91E1AF10B	1	-		
		PAPER	91E1AP10B		1		
4	CAP	PE	417323-01	1	1		
5	INLET HOSE	HOSH01	450722-01	1	1		
6	OUTLET HOSE	HOSH02	450723-01	1	1		