



First Choice
Group

SPARE PARTS DIAGRAM FOR



HOSHIZAKI

Ice Machine

IM-65LE

IM-65LE-25

IM-65LE-LM103

IM-65LE-C

First Choice Group
Blakeney Way, Kingswood Lakeside
Cannock, Staffs, WS11 8LD
TEL: 01543 577778 FAX: 01543504141
Email: enquires@firstchoice-cs.co.uk
Web: www.firstchoice-cs.co.uk

NO. E1AH-1782

ISSUED: APR. 1996

REVISED: APR. 2011



HOSHIZAKI SELF-CONTAINED CUBER

**MODEL IM-65LE
IM-65LE-25
IM-65LE-LM103
IM-65LE-C**

PARTS LIST

[HE, GENERAL (50Hz), EXPORT (60Hz), OCEANIA, RINNAI, KOREA, AUSTRALIA, HSP, CHINA]

F-1	MAR.	1996	D-1	MAR.	2004
F-2	MAY.	1996	D-2	NOV.	2004
F-3	SEP.	1996	E-0	DEC.	2004
G-0	DEC.	1996	E-1	APR.	2005
H-0	DEC.	1997	E-2	NOV.	2005
H-1	MAR.	1998	R-0	DEC.	2005
J-0	DEC.	1998	S-0	JAN.	2007
K-0	DEC.	1999	S-1	MAY.	2007
A-0	DEC.	2000	S-2	DCE.	2007
B-0	DEC.	2001	T-0	JAN.	2008
B-1	NOV.	2002	U-0	JAN.	2009
C-0	DEC.	2002	V-0	JAN.	2010
C-1	OCT.	2003	L-0	JAN.	2011
D-0	DEC.	2003			

MATERIAL ABBREVIATIONS

ALUMINUM

AL = Aluminum

COPPER

CU = Copper

PLASTIC

ABS = Acrylonitrile -butadiene - styrene
AC = Polyacetal
EVA = Ethylene vinyl acetate
PA = Polyamide = Nylon
PC = Polycarbonate
PE = Polyethylene
PES = Polyester
PETP = Polyethylene terephthalate = Tetlon
PP = Polypropylene
PS = Polystyrene
PTFE = Polytetrafluoroethylene = Teflon
PUR = Polyurethane
PVC = Polyvinyl chloride

RUBBER

VN = Vinyl Nitrile
EPDM = EP rubber
NBR = Nitrile butadiene rubber
NR = Natural rubber
NP = Neoprene
SI.R = Silicone rubber
SY.R = Synthetic rubber
EPH = Epichlorohydrin

STEEL

GS = Galvanized steel
SS = Stainless steel
PS = Plated steel
PAS = Primed steel

AUXILIARY CODE

K-0

Designates the year. "K" indicates the year 2000. Years progress or regress in alphabetical order. "J" is 1999, "L" is 2001, "M" is 2002, and so on. The letters "I" and "O" were skipped.
Designates significant part changes within the same year. Base is 0 and this number advances for each change.

Example: P-1

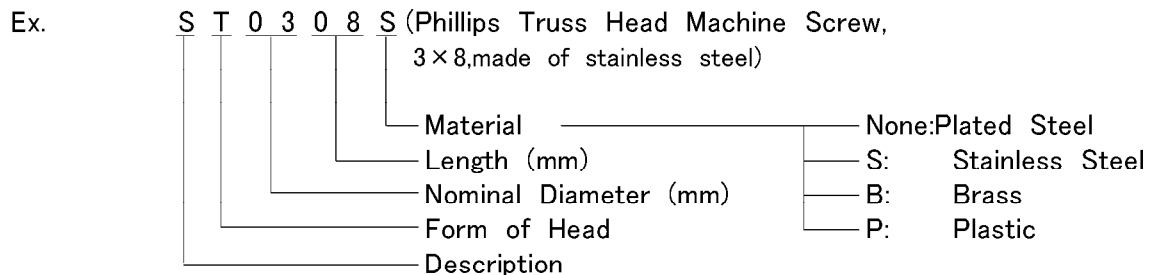
"P" indicates 2004.
"1" indicates the first significant part change for 2004.

MARKS LOCATED UNDER THE AUXILIARY CODE

- = Part deleted.
x = Part deleted and replaced by "o" part.
o = New part in place of "x" part.

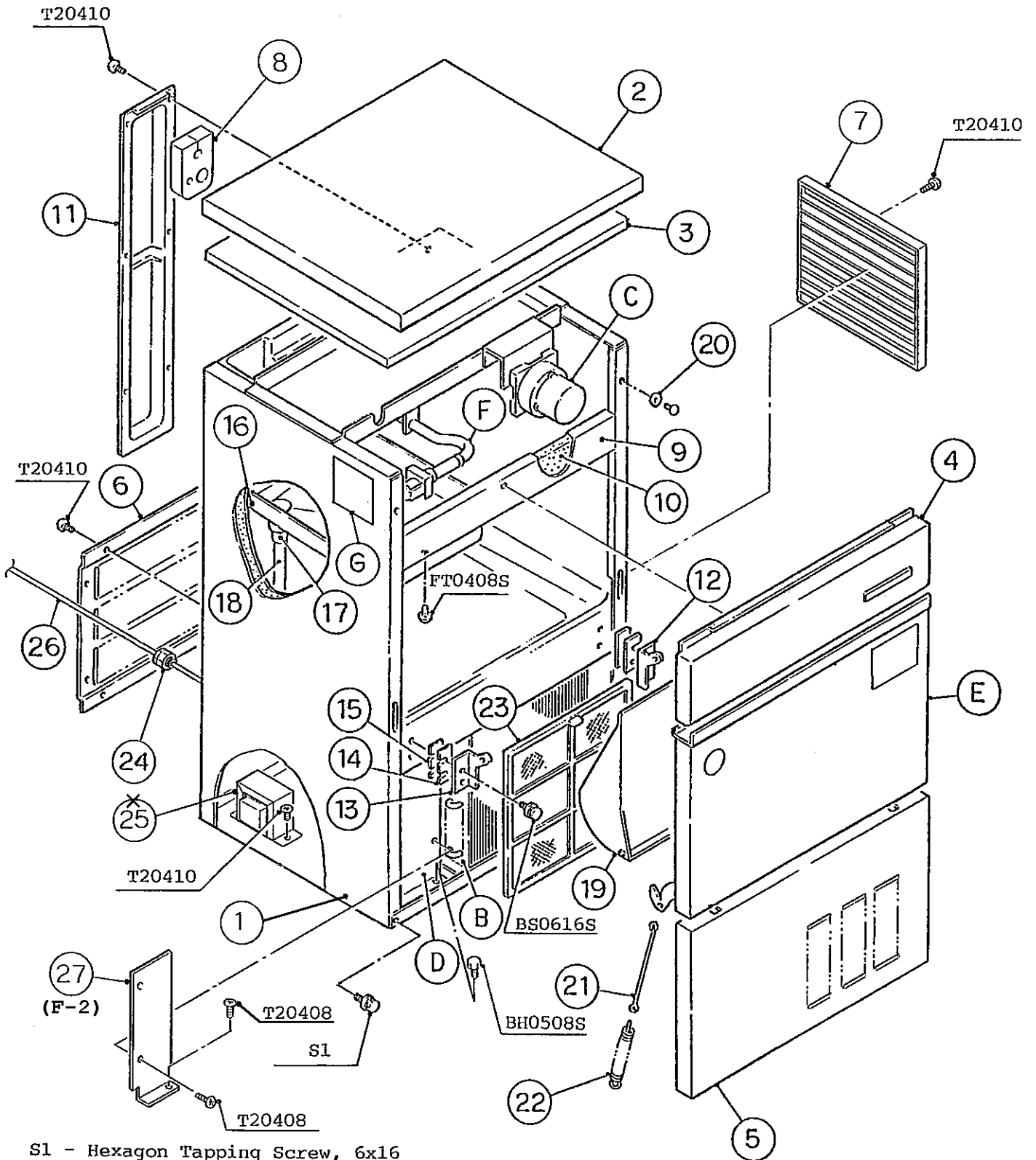
FASTENER ABBREVIATION LIST

ST	=	Phillips Truss Head Machine Screw
SP	=	Phillips Pan Head Machine Screw
SF	=	Phillips Flat Head Machine Screw
SS	=	Phillips Pan Head Machine Screw with Split Lock Washer
SW	=	Phillips Pan Head Machine Screw with Split Lock Washer and Flat Washer
T1	=	Phillips Truss Head Tapping Screw (Correspond to Type A)
T2	=	Phillips Truss Head Tapping Screw (Correspond to Type B)
T3	=	Phillips Truss Head Tapping Screw (Correspond to Type C)
FT	=	Phillips Truss Head Tapping Screw (Special)
BH	=	Hexagon Head Bolt
BC	=	Socket Head Cap Screw
BS	=	Hexagon Bolt with Split Washer
BW	=	Hexagon Bolt with Split Washer and Flat Washer
BF	=	Hexagon Flange Bolt
BR	=	Cross-Recessed Hexagon Head Bolt
BRW	=	Cross-Recessed Hexagon Head Bolt with Split Lock Washer and Flat Washer
WL	=	Split Lock Washer
WT	=	External Tooth Washer
WF	=	Flat Washer
WS	=	Spring Washer
NH	=	Hexagon Nut
NF	=	Hexagon Flange Nut
NC	=	Hexagon Cap Nut
NS	=	Square Nut
NW	=	Wing Nut



(Note) Second character is numerical except the list.
 Ex: S1,S2,B3 etc.

And abbreviations and names are shown under the illustration.

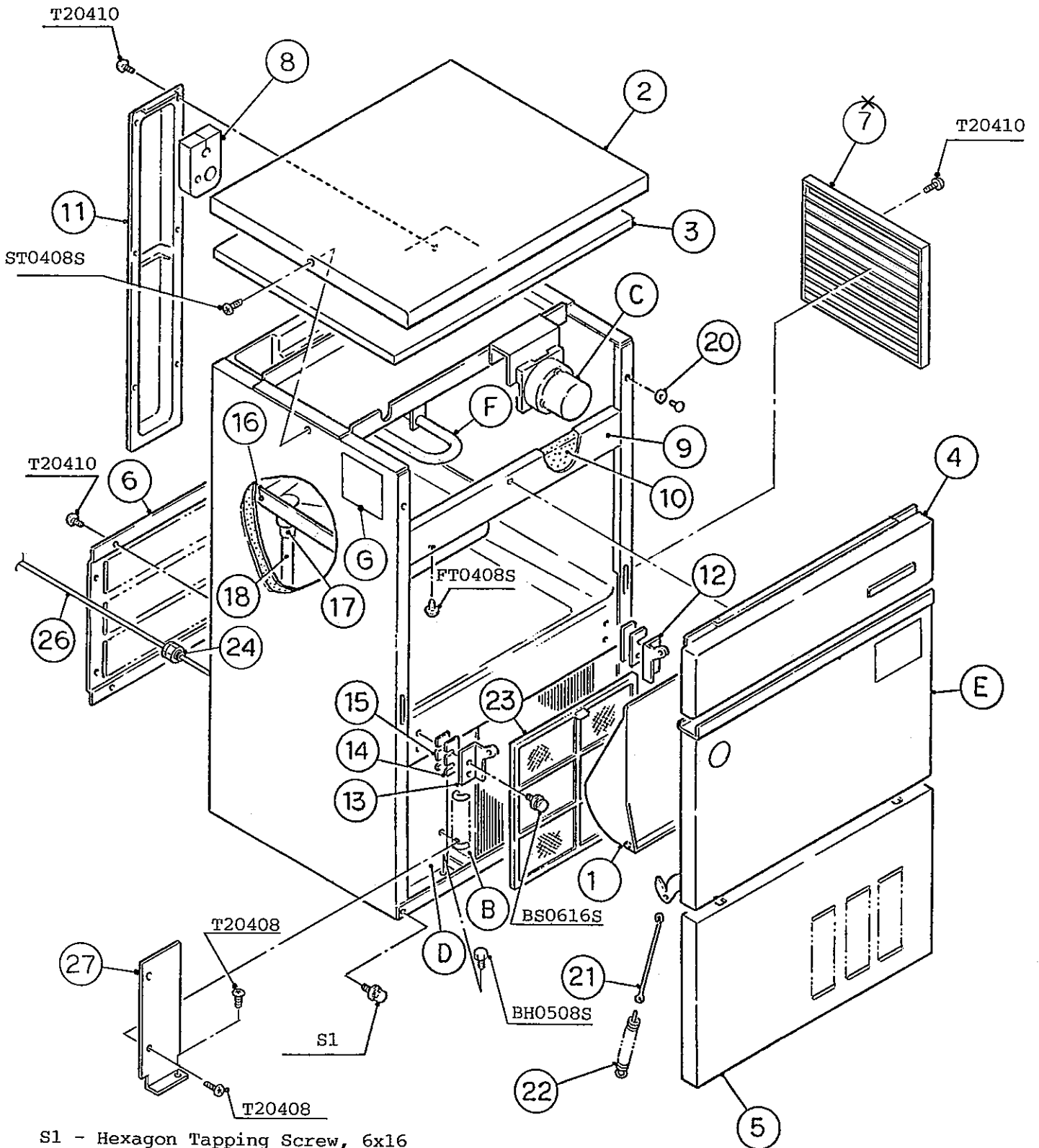


S1 - Hexagon Tapping Screw, 6x16

IM-65LE
IM-65LE-25

A. ICE CUBER ASSY

(E-2) (R-0) (S-0)
(D-1) (D-2) (E-0) (E-1)
(B-1) (C-0) (C-1) (D-0)
(J-0) (K-0) (A-0) (B-0)
(F-3) (G-0) (H-0) (H-1)

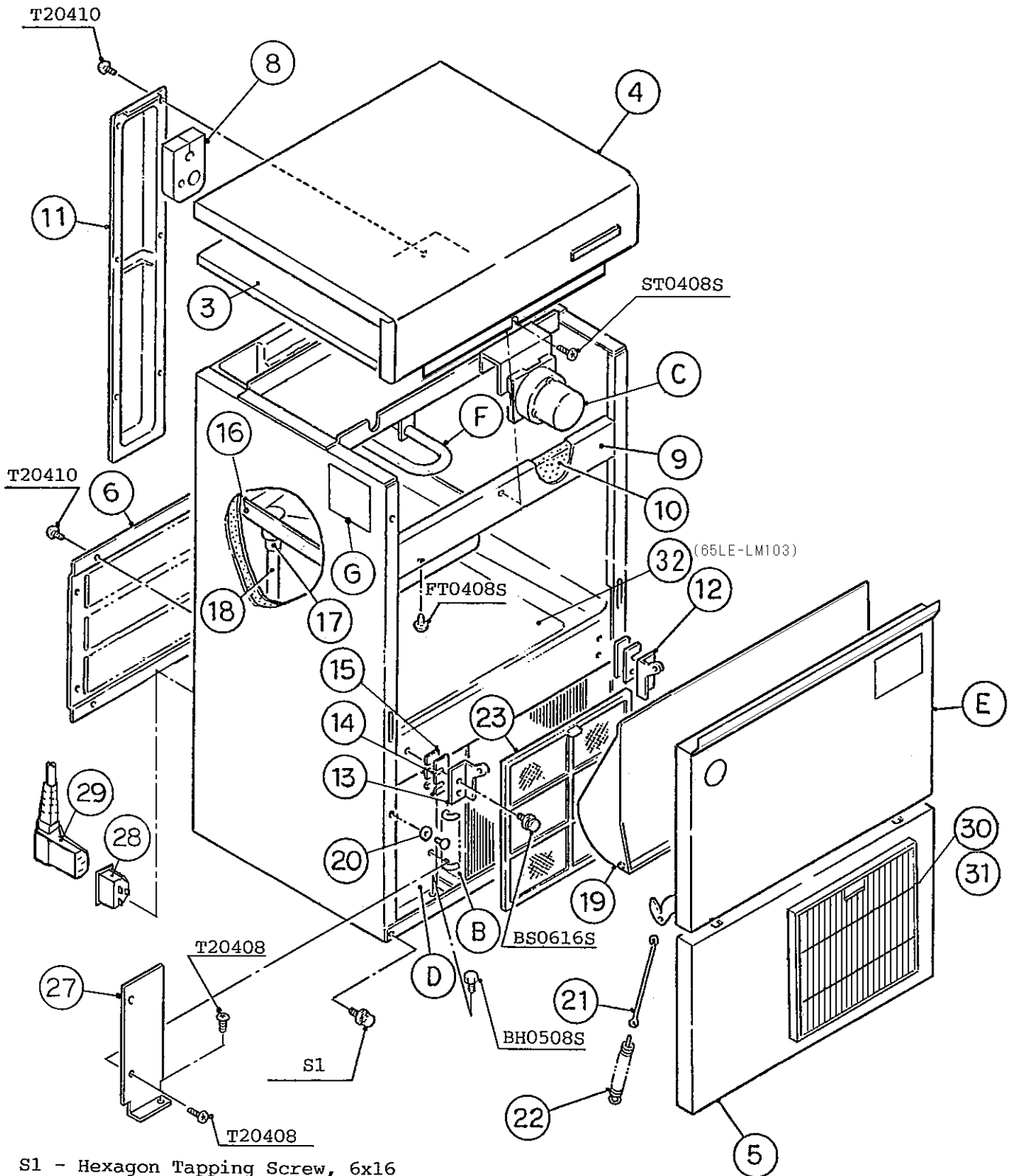


S1 - Hexagon Tapping Screw, 6x16

IM-65LE
 IM-65LE-25
 IM-65LE-LM103
 IM-65LE-C

A. ICE CUBER ASSY

(S-1) and later



S1 - Hexagon Tapping Screw, 6x16

HE,GENERAL,OCEANIA,RINNAI,KOREA,AUSTRALIA,EXPORT,HSP

MODEL : IM-65LE,IM-65LE-25 TITLE : A. ICE CUBER ASSY							
INDEX NO.	DESCRIPTION	MATERIAL OR MODEL NUMBER	PART NUMBER	REQ'D NUMBER			
				F-1	F-2	F-3 G-0 H-0	H-1,J-0 K-0,A-0 B-0
B	REFRIGERATION UNIT	(IM-65LE)	1H1416A01	1	1	1	1
	REFRIGERATION UNIT	(IM-65LE-25)	-	1	1	1	1
C	ICE MAKING MECHANISM ASSY	(IM-65LE)	1H0253A10	1	1	1	1
	ICE MAKING MECHANISM ASSY	(IM-65LE-25)	-	1	1	1	1
D	CONTROL BOX ASSY	-	2H2577A03	1	-		
		-	2H3211A01		1	1	-
		-	2H3211A03				1
		-	2H3211A06				
		-	2H3211A08				
		-	2H6762A01				
E	DOOR ASSY	-	3H0284A07	1	1	1	1
		-	3Y2748A01				
		-	3Y2903A01				
F	WATER CIRCUIT ASSY	-	3H8705A01	1	1	-	
		-	3H9589A01			1	1
G	LABEL LOCATION	-	3H9070A01	1	1	1	-
		-	3X1504A01				1
		-	3X1504A02				
1	UNIT FRAME	PAINTED STEEL	1H0255G11	1	1	1	1
		PAINTED STEEL	1H0255G13				
		PAINTED STEEL	1H2948G01				
		PAINTED STEEL	1H2948G05				
2	TOP PANEL	S.S	3H5119-04	1	1	-	
		S.S	3H9606-03			1	1
3	INSULATION - TOP PANEL	PS	2H0655-04	1	1	1	1
4	FRONT PANEL (UPPER)	S.S	3H8109G03	1	1	1	1
		S.S	3X7334G03				
	FRONT PANEL (UPPER)	(RINNAI)	3H8109G07	1	1	1	1×
5	FRONT PANEL (LOWER)	S.S	3H9065-01	1	1	1	1
		S.S	3Y2761M01				
6	REAR PANEL	S.S	3H2212-01	1	1	1	1
7	LOUVER	ABS	101812-09	1	1	1	1
8	INSULATION	PE	4X5295-01	1	1	1	1
9	FRONT FRAME	S.S	3H1678-12	1	1	1	1

HE,GENERAL,OCEANIA,RINNAI,KOREA,AUSTRALIA,EXPORT,HSP

MODEL : IM-65LE,IM-65LE-25 TITLE : A. ICE CUBER ASSY							
INDEX NO.	DESCRIPTION	MATERIAL OR MODEL NUMBER	PART NUMBER	REQ'D NUMBER			
				B-1 C-0	C-1 D-0	D-1	D-2 E-0
B	REFRIGERATION UNIT	(IM-65LE)	1H1416A01	—			
			1H2710A01	1	1	1	1
	REFRIGERATION UNIT	(IM-65LE-25)	-	1	1	1	1
C	ICE MAKING MECHANISM ASSY	(IM-65LE)	1H0253A10	1	1	1	1
	ICE MAKING MECHANISM ASSY	(IM-65LE-25)	-	1	1	1	1
D	CONTROL BOX ASSY	-	2H3211A03	1	—		
		-	2H3211A06		1	1	—
		-	2H3211A08				1
		-	2H6762A01				
E	DOOR ASSY	-	3H0284A07	1	1	1	1
		-	3Y2748A01				
		-	3Y2903A01				
F	WATER CIRCUIT ASSY	-	3H9589A01	1	1	1	1
G	LABEL LOCATION	-	3X1504A01	1	1	1	1
		-	3X1504A02				
1	UNIT FRAME	PAINTED STEEL	1H0255G11	—			
		PAINTED STEEL	1H0255G13	1	1	—	
		PAINTED STEEL	1H2948G01			1	1
		PAINTED STEEL	1H2948G05				
2	TOP PANEL	S.S	3H9606-03	1	1	1	1
3	INSULATION - TOP PANEL	PS	2H0655-04	1	1	1	1
4	FRONT PANEL (UPPER)	S.S	3H8109G03	1	1	1	1
		S.S	3X7334G03				
	-	-	-				
5	FRONT PANEL (LOWER)	S.S	3H9065-01	1	1	1	1
		S.S	3Y2761M01				
6	REAR PANEL	S.S	3H2212-01	1	1	1	1
7	LOUVER	ABS	101812-09	×			
8	INSULATION	PE	4X5295-01	1	1	1	1
9	FRONT FRAME	S.S	3H1678-12	1	1	1	1
10	INSULATION - FRONT FRAME	PE	4H2317-03	1	1	1	1
11	PIPE COVER	G.S	3H0202-03	1	1	1	1
12	HINGE (RIGHT)	S.S	4H2583-01	1	1	1	1
13	HINGE (LEFT)	S.S	4H2584-01	1	1	1	1

HE,GENERAL,OCEANIA,RINNAI,KOREA,AUSTRALIA,EXPORT,HSP,CHINA

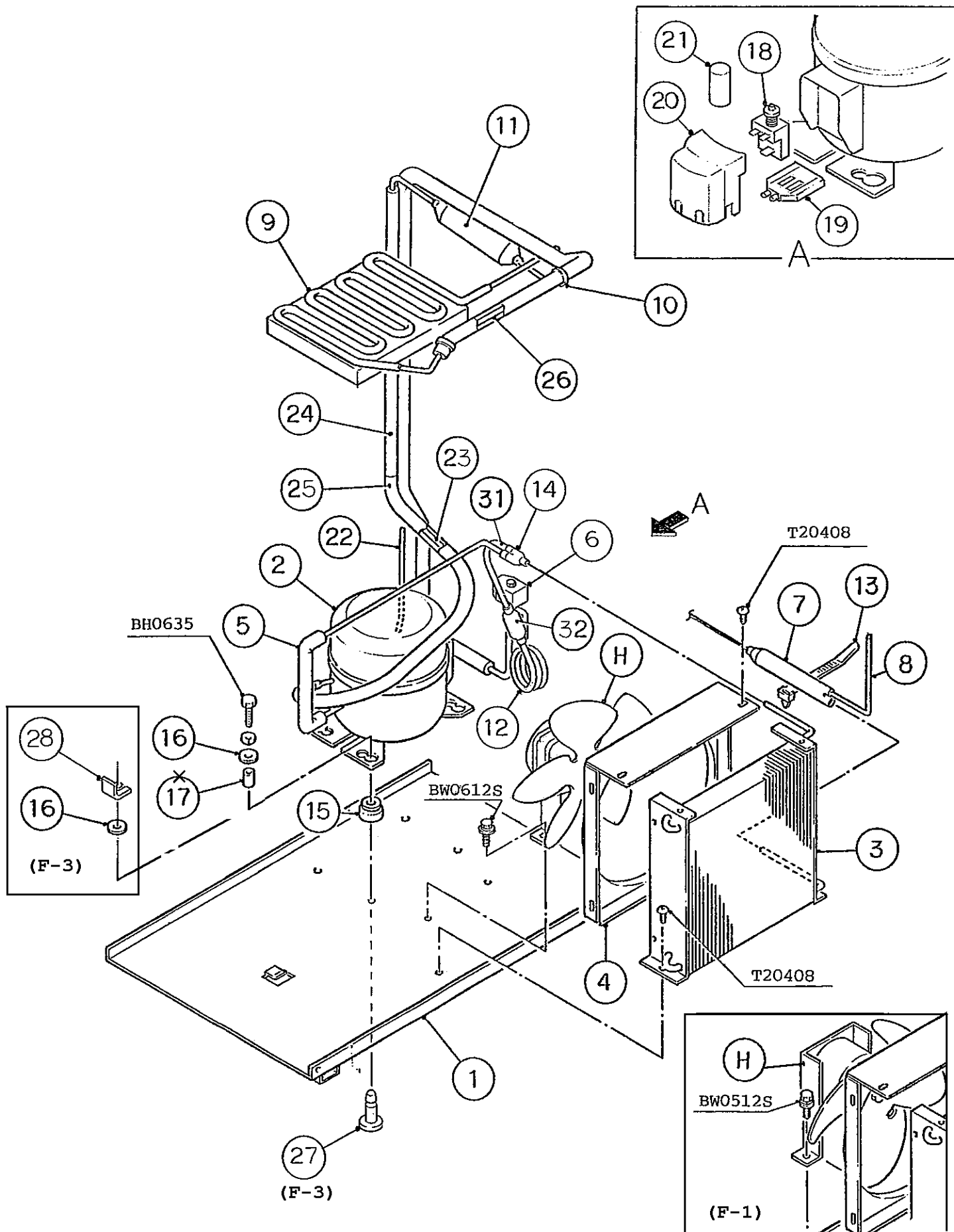
MODEL : IM-65LE, IM-65LE-25 IM-65LE-LM103, IM-65LE-C		TITLE: A. ICE CUBER ASSY					
INDEX NO.	DESCRIPTION	MATERIAL OR MODEL NUMBER	PART NUMBER	REQ'D NUMBER			
				E-1	E-2 R-0 S-0	S-1	S-2,T-0 U-0,V-0 L-0
B	REFRIGERATION UNIT	(IM-65LE)	1H2710A01	1	-		
			1H3340A01		1	1	1
		(IM-65LE-25)	-	1	1	1	1
		(IM-65LE-LM103) (IM-65LE-C)	-				1
C	ICE MAKING MECHANISM ASSY	(IM-65LE)	1H0253A10	1	1	1	1
		(IM-65LE-25)	-	1	1	1	1
		(IM-65LE-LM103) (IM-65LE-C)	-				1
D	CONTROL BOX ASSY	(IM-65LE)	2H3211A08	-			
		(IM-65LE-25)	2H6762A01	1	1	1	1
		(IM-65LE-LM103)	2X0202A01				1
		(IM-65LE-C)	-				1
E	DOOR ASSY	-	3H0284A07	1	1	-	
		-	3Y2748A01			1	-
		-	3Y2903A01				1
F	WATER CIRCUIT ASSY	(IM-65LE) (IM-65LE-25)	3H9589A01	1	1	1	1
		(IM-65LE-LM103)	-				1
		(IM-65LE-C)	3H9589A02				1
G	LABEL LOCATION	-	3X1504A01	-			
		-	3X1504A02	1	1	1	1
1	UNIT FRAME	(IM-65LE) (IM-65LE-25) (IM-65LE-C)	1H2948G01	1	1	-	
			1H2948G05			1	1
		(IM-65LE-LM103)	1H4555G02				1
2	TOP PANEL	S.S	3H9606-03	1	1	×	×
3	INSULATION - TOP PANEL	(IM-65LE) (IM-65LE-25) (IM-65LE-C)	2H0655-04	1	1	1	1
		(IM-65LE-LM103)	1H0722G01				1
4	FRONT PANEL (UPPER)	(IM-65LE) (IM-65LE-25)	3H8109G03	1	1	-	
		(IM-65LE-C)	3X7334G03			1	1
		(IM-65LE-LM103)	3X7334G05				1
5	FRONT PANEL (LOWER)	S.S	3H9065-01	1	1	-	
		S.S	3Y2761M01			1	1
6	REAR PANEL	S.S	3H2212-01	1	1	1	1
7	-	-	-				

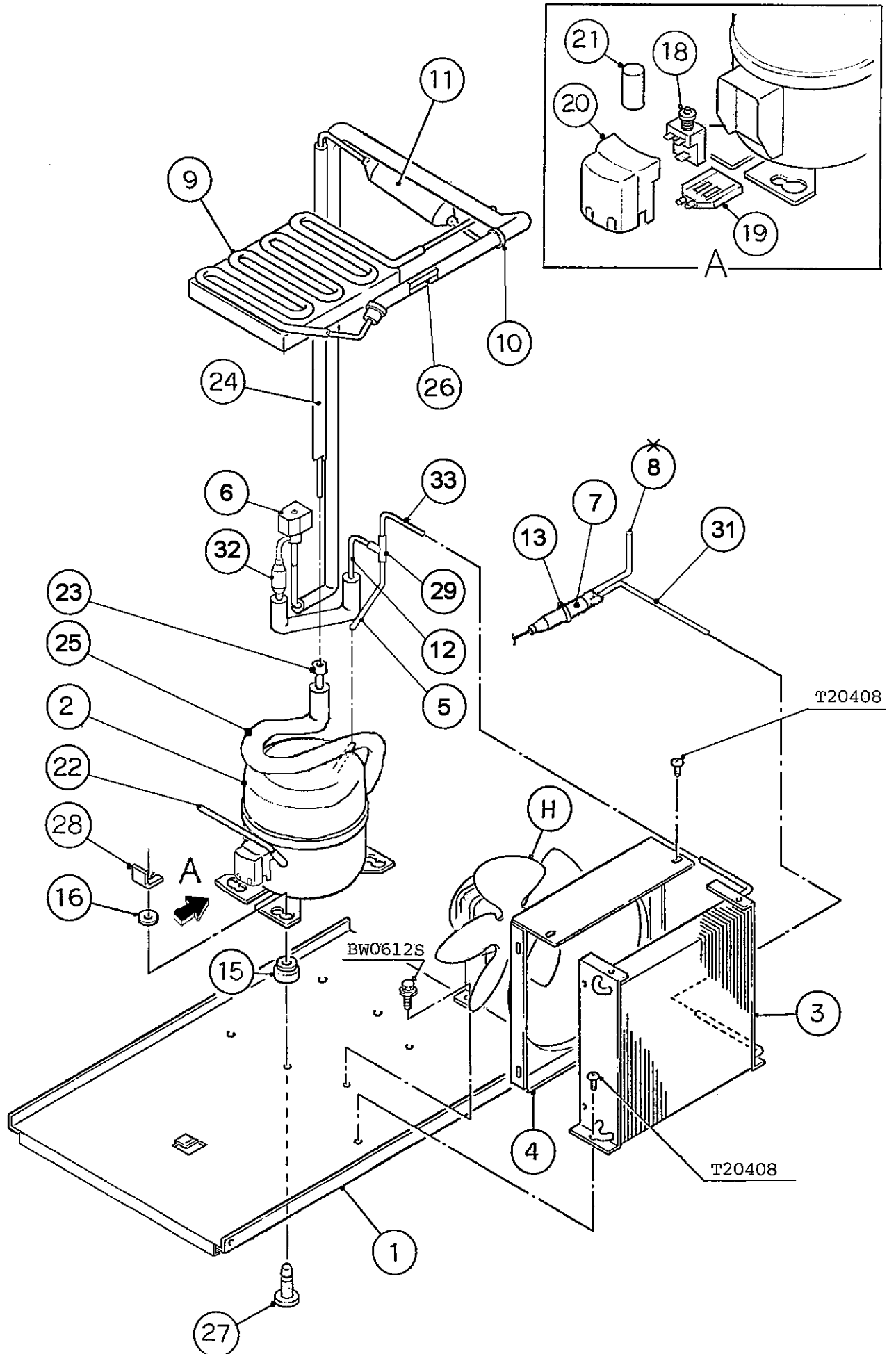
HE,GENERAL,OCEANIA,RINNAI,KOREA,AUSTRALIA,EXPORT,HSP

MODEL : IM-65LE,IM-65LE-25 TITLE : A. ICE CUBER ASSY							
INDEX NO.	DESCRIPTION	MATERIAL OR MODEL NUMBER	PART NUMBER	REQ'D NUMBER			
				F-1	F-2	F-3 G-0 H-0	H-1,J-0 K-0,A-0 B-0
10	INSULATION - FRONT FRAME	PE	4H2317-03	1	1	1	1
11	PIPE COVER	G.S	3H0202-03	1	1	1	1
12	HINGE (RIGHT)	S.S	4H2583-01	1	1	1	1
13	HINGE (LEFT)	S.S	4H2584-01	1	1	1	1
14	HINGE SPACER (A)	S.S	4H0605-01	REQ'D	REQ'D	REQ'D	REQ'D
15	HINGE SPACER (B)	S.S	4H0605-02	REQ'D	REQ'D	REQ'D	REQ'D
16	DRAIN PAN	ABS	2H1441-02	1	1	1	1
17	DRAIN TUBE	SI	4H2585-01	1	1	1	1
18	DRAIN PIPE	ABS	4H1141-07	1	1	1	1
19	SLOPE	ABS	2H1349-02	1	1	1	1
20	TAPER COLLAR	S.S	4H0171-01	4	4	4	4
21	HOOK	S.S	404060-10	1	1	1	1
22	SPRING	ZINC-PLATED WIRE	4H0823-01	1	1	1	1
23	AIR FILTER	PP	332631G01	1	1	1	1
		PP	2A2063G01				
24	BUSHING	CEE, SR-6P-10	448949-01	1	1	1	1
25	TRANSFORMER	230V/100V	450104-01	1	×		
26	POWER SUPPLY CORD	(CONTINENTAL)	4X3520G01	1	1	—	
		(EXPORT)	452263-01			1	1
		(GENERAL) (OCEANIA)	4X3520G01			1	1
	POWER SUPPLY CORD	(RINNAI) (AUSTRALIA)	458139-01			1	1
	POWER SUPPLY CORD	(KOREA)	452263-01			1	1
	POWER SUPPLY CORD (WITH UK PLUG)	(UK) (HSP)	4X3521G01	1	1	1	1
27	PLATE - FRONT	G.S	4X3941-01		1	1	1

HE,GENERAL,OCEANIA,RINNAI,KOREA,AUSTRALIA,EXPORT,HSP,CHINA

MODEL : IM-65LE, IM-65LE-25 IM-65LE-LM103, IM-65LE-C				TITLE: A. ICE CUBER ASSY			
INDEX NO.	DESCRIPTION	MATERIAL OR MODEL NUMBER	PART NUMBER	REQ'D NUMBER			
				E-1	E-2 R-0 S-0	S-1	S-2,T-0 U-0,V-0 L-0
8	INSULATION	PE	4X5295-01	1	1	1	1
9	FRONT FRAME	S.S	3H1678-12	1	1	1	1
10	INSULATION - FRONT FRAME	PE	4H2317-03	1	1	1	1
11	PIPE COVER	G.S	3H0202-03	1	1	1	1
12	HINGE (RIGHT)	S.S	4H2583-01	1	1	1	1
13	HINGE (LEFT)	S.S	4H2584-01	1	1	1	1
14	HINGE SPACER (A)	S.S	4H0605-01	REQ'D	REQ'D	REQ'D	REQ'D
15	HINGE SPACER (B)	S.S	4H0605-02	REQ'D	REQ'D	REQ'D	REQ'D
16	DRAIN PAN	(IM-65LE) (IM-65LE-25) (IM-65LE-C)	2H1441-02	1	1	1	1
		(IM-65LE-LM103)	2H1632G01				1
17	DRAIN TUBE	SI	4H2585-01	1	1	1	1
18	DRAIN PIPE	(IM-65LE) (IM-65LE-25) (IM-65LE-C)	4H1141-07	1	1	1	1
	PIPE(A)	(IM-65LE-LM103)	4H6661-01				1
19	SLOPE	ABS	2H1349-02	1	1	1	1
20	TAPER COLLAR	S.S	4H0171-01	4	4	2	2
21	HOOK	S.S	404060-10	1	1	1	1
22	SPRING	ZINC-PLATED WIRE	4H0823-01	1	1	1	1
23	AIR FILTER	PP	332631G01	1	1	—	
		PP	2A2063G01			1	1
24	BUSHING	CEE, SR-6P-10	448949-01	1	1	×	
25	-	-	-				
26	POWER SUPPLY CORD	(CONTINENTAL) (EXPORT) (KOREA)	452263-01	1	1	×	
		(GENERAL) (OCEANIA)	4X3520G01	1	1	×	
		(RINNAI) (AUSTRALIA)	458139-01	1	1	×	
	POWER SUPPLY CORD	(UK) (HSP)	4X3521G01	1	1	×	
	POWER SUPPLY CORD (WITH UK PLUG)	(UK) (HSP)	4X3521G01	1	1	×	
	POWER SUPPLY CORD	(UK) (HSP)	4X3521G01	1	1	×	
27	PLATE - FRONT	G.S	4X3941-01	1	1	1	1
28	CONNECTOR	-	P00245-01			1	1





HE,GENERAL,OCEANIA,RINNAI,AUSTRALIA,HSP

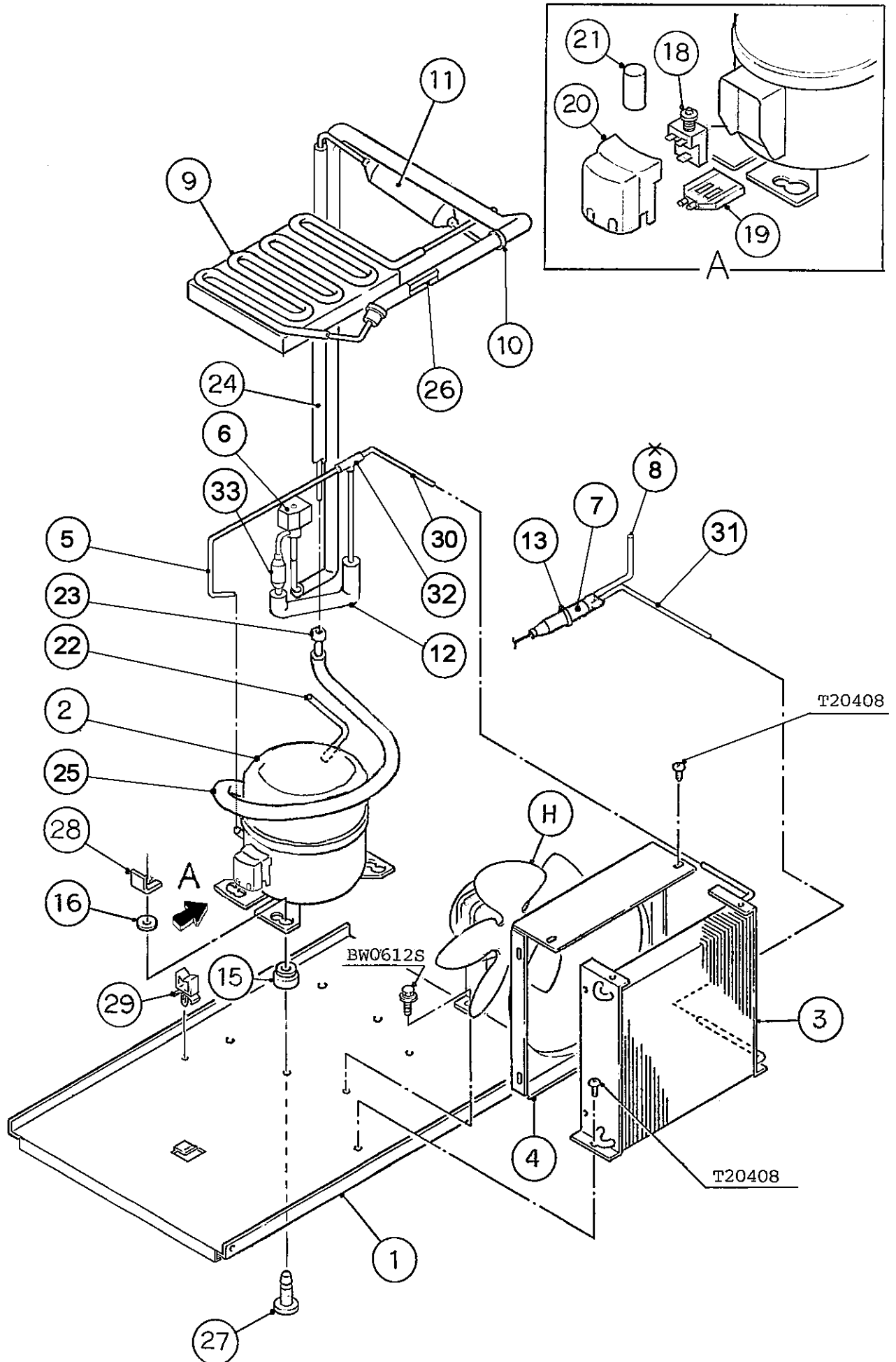
MODEL : IM-65LE,IM-65LE-25					TITLE : B. REFRIGERATION UNIT				
INDEX NO.	DESCRIPTION	MATERIAL OR MODEL NUMBER	PART NUMBER	REQ'D NUMBER					
				F-1	F-2	F-3	G-0 H-0	H-1,J-0 K-0,A-0 B-0	
H	FAN MOTOR ASSY	(S-0898)	3H8340A01	1	—				
		(S-0950)	3H9446A01		1	1	1	1	
1	BASE	PAINTED STEEL	3X4390G01	1	1	1	1	1	
			2H5704-01						
2	COMPRESSOR	FR11G	451196-01	1	1	1	1	1	
3	CONDENSER - AIR-COOLED	-	2H1066-01	1	1	1	1	1	
			2H5655-01						
4	SHROUD	G.S	307663-01	1	1	1	1	1	
5	COPPER TUBE - HIGH SIDE	COPPER	3H9064G01	1	1	1	1	1	
			4Y1158-01						
6	HOT GAS SOLENOID VALVE	AMS-24B10HD-1	418866-02	1	1	1	1	1	
7	DRIER	DY-15QHD-10	458773-01	1	1	1	1	1	
		DY-12QHD-3	445655-04						
8	PROCESS TUBE (A)	COPPER	4H4351-01	1	1	1	1	1	
9	EVAPORATOR	(IM-65LE)	3H6803G01	1	1	1	1	—	
			3H6803G02					1	
	EVAPORATOR	(IM-65LE-25)	3H1700G01	1	1	1	1	—	
			3H4407G01					1	
10	TIE	CV-100	7920-0002	REQ'D	REQ'D	REQ'D	REQ'D	REQ'D	
11	HEAT EXCHANGER	COPPER	2H0605G04	1	—				
		COPPER	4X3936G01		1	1	1	1	
12	COPPER TUBE (A) - HOT GAS	COPPER	4X1292-01	1	1	1	—		
		COPPER	4H7535-01				1	1	
		COPPER	3X7502G01						
13	TIE	-	436156-01	1	1	1	1	1	
14	JOINT - G	COPPER	4X1092-07	1	1	1	×		
15	RUBBER GROMMET	-	450897-01	4	4	4	4	4	
16	WASHER	-	450894-01	4	4	4	4	4	
17	GROMMET SLEEVE	-	450895-01	4	4	×			
18	STARTING RELAY	117U6010	451197-01	1	1	1	1	1	
19	CORD RELIEF	103N1006	450899-01	1	1	1	1	1	
20	COVER	103N2010	450896-01	1	1	1	1	1	
21	STARTING CAPACITOR	117U5015	450898-01	1	1	1	1	1	
22	PROCESS TUBE (B)	COPPER	4X3379-01	1	1	1	1	1	

HE,GENERAL,OCEANIA,RINNAI,AUSTRALIA,HSP

MODEL : IM-65LE,IM-65LE-25				TITLE : B. REFRIGERATION UNIT			
INDEX NO.	DESCRIPTION	MATERIAL OR MODEL NUMBER	PART NUMBER	REQ'D NUMBER			
				B-1 C-0	C-1 D-0	D-1	D-2 E-0
H	FAN MOTOR ASSY	-	-				
		(S-0950)	3H9446A01	1	1	1	1
1	BASE	PAINTED STEEL	3X4390G01	-			
			2H5704-01	1	1	1	1
2	COMPRESSOR	FR11G	451196-01	1	1	1	1
3	CONDENSER - AIR-COOLED	-	2H1066-01	-			
			2H5655-01	1	1	1	1
4	SHROUD	G.S	307663-01	1	1	1	1
5	COPPER TUBE - HIGH SIDE	COPPER	3H9064G01	-			
			4Y1158-01	1	1	1	1
6	HOT GAS SOLENOID VALVE	AMS-24B10HD-1	418866-02	1	1	1	1
7	DRIER	DY-15QHD-10	458773-01	1	1	1	1
		DY-12QHD-3	445655-04				
8	PROCESS TUBE (A)	COPPER	4H4351-01	1	1	1	1
9	EVAPORATOR	(IM-65LE)	3H6803G02	1	1	1	1
	EVAPORATOR	(IM-65LE-25)	3H4407G01	1	1	1	1
10	TIE	CV-100	7920-0002	REQ'D	REQ'D	REQ'D	REQ'D
11	HEAT EXCHANGER	COPPER	4X3936G01	1	1	1	1
12	COPPER TUBE (A) - HOT GAS	COPPER	3H5231G02	-			
		COPPER	3X7502G01	1	1	1	1
13	TIE	-	436156-01	1	1	1	1
14	-	-	-				
15	RUBBER GROMMET	-	450897-01	4	4	4	4
16	WASHER	-	450894-01	4	4	4	4
17	-	-	-				
18	STARTING RELAY	117U6010	451197-01	1	1	1	1
19	CORD RELIEF	103N1006	450899-01	1	1	1	1
20	COVER	103N2010	450896-01	1	1	1	1
21	STARTING CAPACITOR	117U5015	450898-01	1	1	1	1
22	PROCESS TUBE (B)	COPPER	4X3379-01	1	1	1	1
23	COPPER TUBE - LOW SIDE	COPPER	3H9063G01	-			
			3X7501G01	1	1	1	1
24	INSULATION TUBE (C)	L=480	7762-1626	1	1	1	1

HE,GENERAL,OCEANIA,RINNAI,AUSTRALIA,HSP,CHINA

MODEL : IM-65LE, IM-65LE-25 IM-65LE-LM103, IM-65LE-C				TITLE : B. REFRIGERATION UNIT			
INDEX NO.	DESCRIPTION	MATERIAL OR MODEL NUMBER	PART NUMBER	REQ'D NUMBER			
				E-1	E-2 R-0 S-0	S-1	S-2,T-0 U-0,V-0 L-0
H	FAN MOTOR ASSY	(S-0950)	3H9446A01	1	1	1	1
1	BASE	PAINTED STEEL	2H5704-01	1	1	1	1
2	COMPRESSOR	FR11G	451196-01	1	1	1	1
3	CONDENSER - AIR-COOLED	-	2H5655-01	1	1	1	1
4	SHROUD	G.S	307663-01	1	1	1	1
5	COPPER TUBE - HIGH SIDE	COPPER	4Y1158-01	1	1	1	1
6	HOT GAS SOLENOID VALVE	AMS-24B10HD-1	418866-02	1	1	1	1
7	DRIER	DY-15QHD-10	458773-01	1	—		
		DY-12QHD-3	445655-04		1	1	1
8	PROCESS TUBE (A)	COPPER	4H4351-01	1	×		
9	EVAPORATOR	(IM-65LE)	3H6803G02	1	1	1	1
		(IM-65LE-25)	3H4407G01	1	1	1	1
		(IM-65LE-LM103)	3H5806G01				1
		(IM-65LE-C)	2X0258G01				1
10	TIE	CV-100	7920-0002	REQ'D	REQ'D	REQ'D	REQ'D
11	HEAT EXCHANGER	COPPER	4X3936G01	1	1	1	1
12	COPPER TUBE (A) - HOT GAS	COPPER	3X7502G01	1	1	1	1
13	TIE	-	436156-01	1	1	1	1
14	-	-	-				
15	RUBBER GROMMET	-	450897-01	4	4	4	4
16	WASHER	-	450894-01	4	4	4	4
17	-	-	-				
18	STARTING RELAY	117U6010	451197-01	1	1	1	1
19	CORD RELIEF	103N1006	450899-01	1	1	1	1
20	COVER	103N2010	450896-01	1	1	1	1
21	STARTING CAPACITOR	117U5015	450898-01	1	1	1	1
22	PROCESS TUBE (B)	COPPER	4X3379-01	1	1	1	1
23	COPPER TUBE - LOW SIDE	COPPER	3X7501G01	1	1	1	1
24	INSULATION TUBE (C)	L=480	7762-1626	1	1	1	1
25	INSULATION TUBE (G)	7762-0717, L=555	3H9063-02				
		7762-1020, L=800	3X7501-02	1	1	1	1
26	COPPER TUBE (B) - HOT GAS	COPPER	3X6699G01	1	1	1	1
27	STEEL PIN		452255-01	4	4	4	4
28	CLIP		452256-01	4	4	4	4



KOREA,EXPORT

MODEL : IM-65LE,IM-65LE-25 TITLE : B. REFRIGERATION UNIT							
INDEX NO.	DESCRIPTION	MATERIAL OR MODEL NUMBER	PART NUMBER	REQ'D NUMBER			
				G-0 H-0	H-1,J-0 K-0,A-0 B-0	B-1 C-0	C-1 D-0
H	FAN MOTOR ASSY	(S-0950)	3H9444A01	1	1	1	1
1	BASE	PAINTED STEEL	3X4390G01	1	1	1	1
2	COMPRESSOR	SC12G	453580-01	1	1	1	1
3	CONDENSER - AIR-COOLED	-	2H1066-01	1	1	-	
			2H5655-01			1	1
4	SHROUD	G.S	307663-01	1	1	1	1
5	COPPER TUBE - HIGH SIDE	COPPER	4X5031-01	1	1	-	
			4Y1427-01			1	1
6	HOT GAS SOLENOID VALVE	AMS-24B10HD-1	418866-02	1	1	1	1
7	DRIER	DY-15QHD-2	458773-01	1	1	1	1
		DY-12QHD-3	445655-04				
8	PROCESS TUBE (A)	COPPER	4H4351-01	1	1	1	1
9	EVAPORATOR	-	3H6803G01	1	-		
			3H6803G02		1	1	1
10	TIE	CV-100	7920-0002	REQ'D	REQ'D	REQ'D	REQ'D
11	HEAT EXCHANGER	COPPER	4X3936G01	1	1	1	1
12	COPPER TUBE (A) - HOT GAS	COPPER	4X1292-01	1	-		
			4H7535-01		1	-	
			3X7922G01			1	1
13	TIE	-	436156-01	1	1	1	1
14	TEE	COPPER	420041-03	1	1	×	
15	RUBBER GROMMET	-	450897-01	4	4	4	4
16	WASHER	-	450894-01	4	4	4	4
17	-	-	-				
18	STARTING RELAY	117U6003	453581-01	1	1	1	1
19	CORD RELIEF	103N1004	452239-01	1	1	1	1
20	COVER	103N2009	459924-01	1	1	1	1
21	STARTING CAPACITOR	117U5019	456350-01	1	1	1	1
22	PROCESS TUBE (B)	COPPER	4X3379-01	1	1	1	1
23	COPPER TUBE - LOW SIDE	COPPER	3X1089G01	1	1	-	
			3X7921G01			1	1
24	INSULATION TUBE (C)	L=480	7762-1626	1	1	1	1
25	INSULATION TUBE (G)	7762-0717, L=555	3H9063-02	1	1	1	1
26	COPPER TUBE (B) - HOT GAS	COPPER	3X0971G01	1	1	1	1

KOREA,EXPORT

MODEL : IM-65LE,IM-65LE-25				TITLE : B. REFRIGERATION UNIT			
INDEX NO.	DESCRIPTION	MATERIAL OR MODEL NUMBER	PART NUMBER	REQ'D NUMBER			
				D-1	D-2 E-0	E-1	E-2 R-0 S-0
H	FAN MOTOR ASSY	(S-0950)	3H9444A01	1	1	1	1
1	BASE	PAINTED STEEL	3X4390G01	1	1	1	1
2	COMPRESSOR	SC12G	453580-01	1	1	1	1
3	CONDENSER - AIR-COOLED	-	2H5655-01	1	1	1	1
4	SHROUD	G.S	307663-01	1	1	1	1
5	COPPER TUBE - HIGH SIDE	COPPER	4X5031-01				
			4Y1427-01	1	1	1	1
6	HOT GAS SOLENOID VALVE	AMS-24B10HD-1	418866-02	1	1	1	1
7	DRIER	DY-15QHD-2	458773-01	1	1	1	-
		DY-12QHD-3	445655-04				1
8	PROCESS TUBE (A)	COPPER	4H4351-01	1	1	1	x
9	EVAPORATOR	-	3H6803G02	1	1	1	1
10	TIE	CV-100	7920-0002	REQ'D	REQ'D	REQ'D	REQ'D
11	HEAT EXCHANGER	COPPER	4X3936G01	1	1	1	1
12	COPPER TUBE (A) - HOT GAS	COPPER	3X7922G01	1	1	1	1
13	TIE	-	436156-01	1	1	1	1
14	-	-	-				
15	RUBBER GROMMET	-	450897-01	4	4	4	4
16	WASHER	-	450894-01	4	4	4	4
17	-	-	-				
18	STARTING RELAY	117U6003	453581-01	1	1	1	1
19	CORD RELIEF	103N1004	452239-01	1	1	1	1
20	COVER	103N2002Q	452240-01	1	1	1	1
21	STARTING CAPACITOR	117U5019	456350-01	1	1	1	1
22	PROCESS TUBE (B)	COPPER	4X3379-01	1	1	1	1
23	COPPER TUBE - LOW SIDE	COPPER	3X7921G01	1	1	1	1
24	INSULATION TUBE (C)	L=480	7762-1626	1	1	1	1
25	INSULATION TUBE (G)	7762-0717, L=555	3H9063-02	1	1	1	1
26	COPPER TUBE (B) - HOT GAS	COPPER	3X0971G01	1	1	1	1
27	STEEL PIN		452255-01	4	4	4	4
28	CLIP		452256-01	4	4	4	4
29	-	-	-				
30	COPPER TUBE (B) - HIGH SIDE	COPPER	4Y1428-01	1	1	1	1

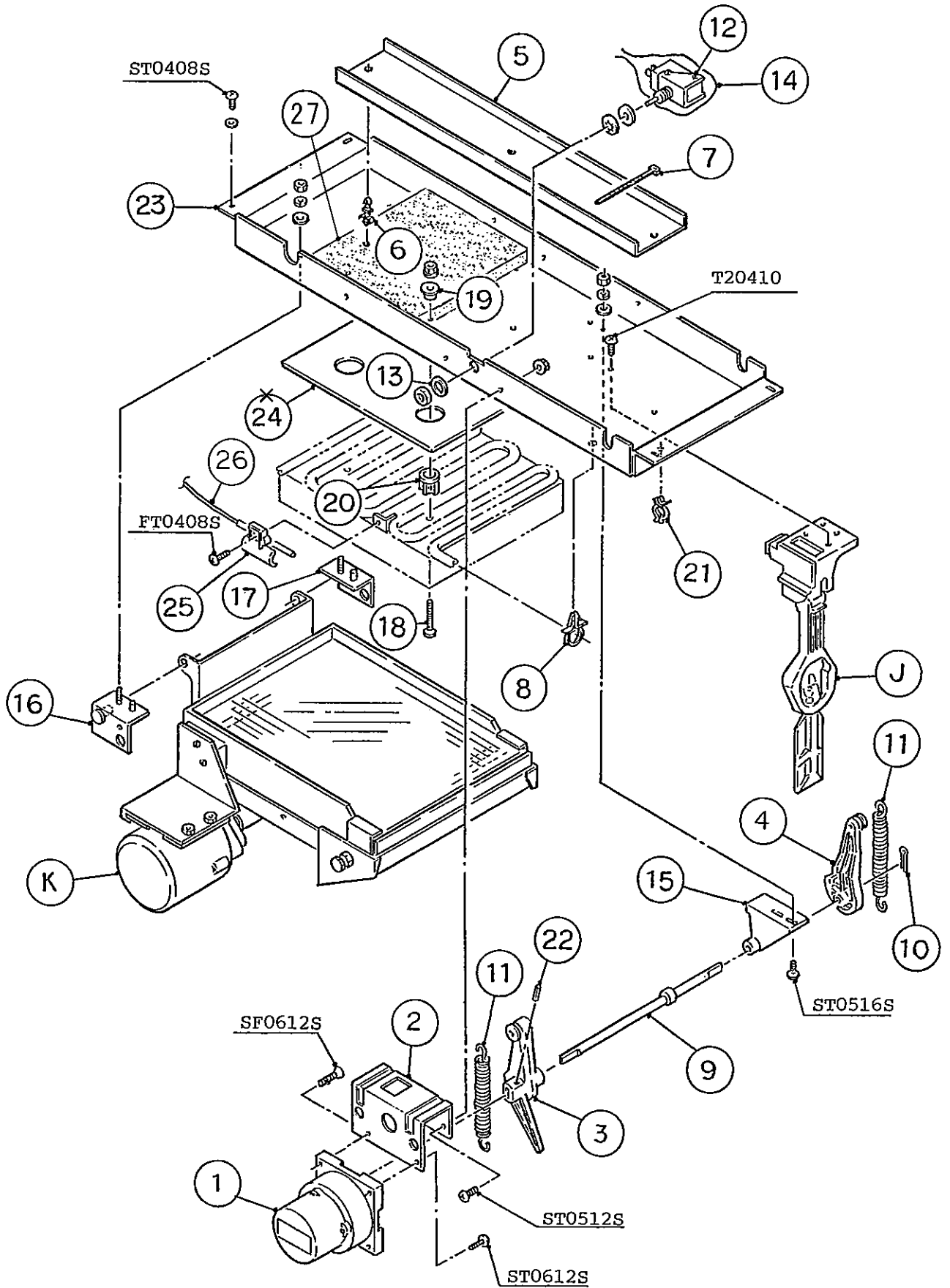
KOREA,EXPORT

MODEL : IM-65LE,IM-65LE-25				TITLE : B. REFRIGERATION UNIT			
INDEX NO.	DESCRIPTION	MATERIAL OR MODEL NUMBER	PART NUMBER	REQ'D NUMBER			
				S-1	S-2,T-0 U-0,V-0 L-0		
H	FAN MOTOR ASSY	(S-0950)	3H9444A01	1	1		
1	BASE	PAINTED STEEL	3X4390G01	1	1		
2	COMPRESSOR	SC12G	453580-01	1	1		
3	CONDENSER - AIR-COOLED	-	2H5655-01	1	1		
4	SHROUD	G.S	307663-01	1	1		
5	COPPER TUBE - HIGH SIDE	COPPER	4X5031-01				
			4Y1427-01	1	1		
6	HOT GAS SOLENOID VALVE	AMS-24B10HD-1	418866-02	1	1		
7	DRIER	DY-12QHD-3	445655-04	1	1		
8	-	-	-				
9	EVAPORATOR	-	3H6803G02	1	1		
10	TIE	CV-100	7920-0002	REQ'D	REQ'D		
11	HEAT EXCHANGER	COPPER	4X3936G01	1	1		
12	COPPER TUBE (A) - HOT GAS	COPPER	3X7922G01	1	1		
13	TIE	-	436156-01	1	1		
14	-	-	-				
15	RUBBER GROMMET	-	450897-01	4	4		
16	WASHER	-	450894-01	4	4		
17	-	-	-				
18	STARTING RELAY	117U6003	453581-01	1	1		
19	CORD RELIEF	103N1004	452239-01	1	1		
20	COVER	103N2002Q	452240-01	1	1		
21	STARTING CAPACITOR	117U5019	456350-01	1	1		
22	PROCESS TUBE (B)	COPPER	4X3379-01	1	1		
23	COPPER TUBE - LOW SIDE	COPPER	3X7921G01	1	1		
24	INSULATION TUBE (C)	L=480	7762-1626	1	1		
25	INSULATION TUBE (G)	7762-0717, L=555	3H9063-02	1	1		
26	COPPER TUBE (B) - HOT GAS	COPPER	3X0971G01	1	1		
27	STEEL PIN		452255-01	4	4		
28	CLIP		452256-01	4	4		
29	-	-	-				
30	COPPER TUBE (B) - HIGH SIDE	COPPER	4Y1428-01	1	1		
31	COPPER TUBE (A)	COPPER	4Y3360-01	1	1		
32	TEE	COPPER	417394-01	1	1		

IM-65LE
IM-65LE-25

C. ICEMAKING MECHANISM ASSY

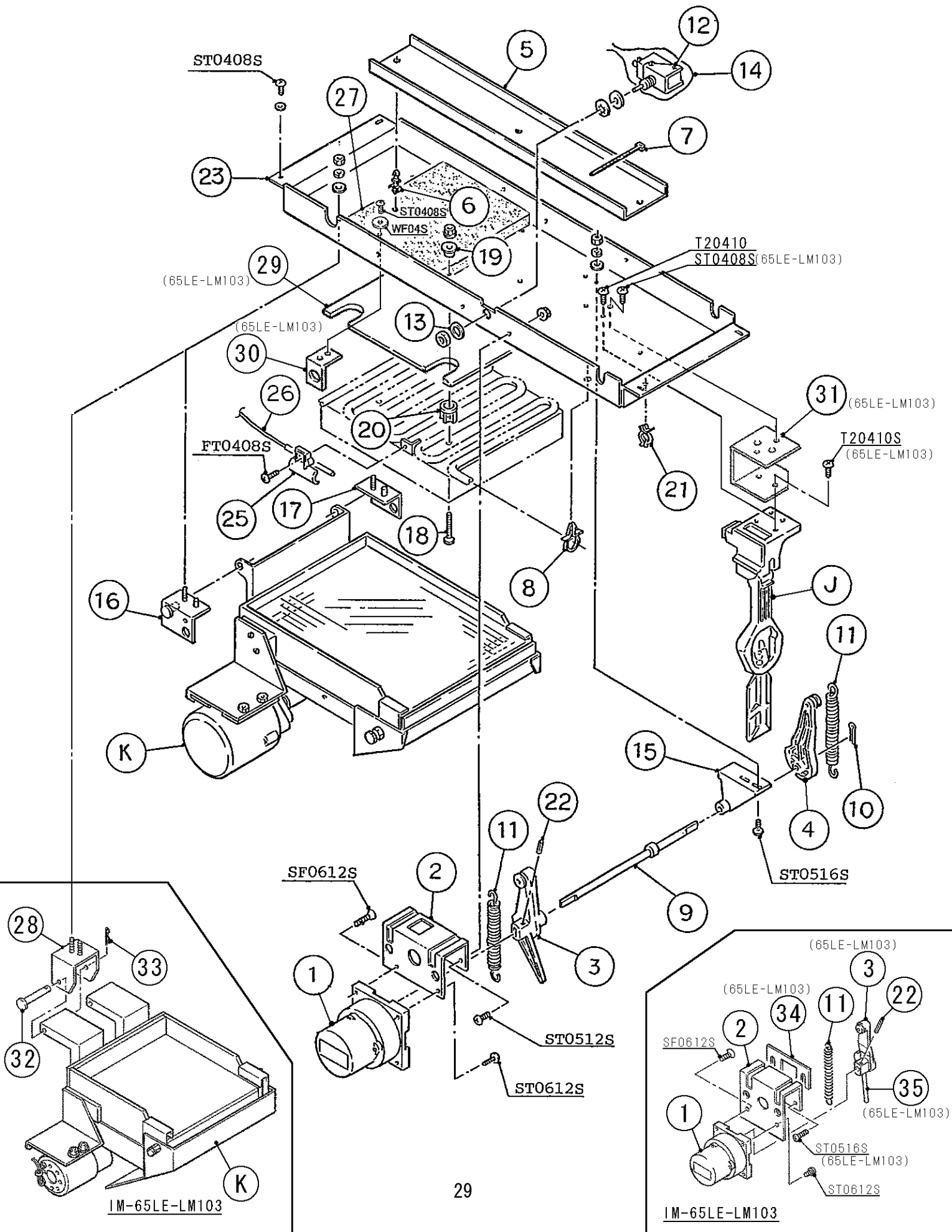
(S-0) (S-1) (S-2) (T-0) (U-0)
(E-0) (E-1) (E-2) (R-0)
(C-1) (D-0) (D-1) (D-2)
(A-0) (B-0) (B-1) (C-0)
(H-0) (H-1) (J-0) (K-0)
(F-1) (F-2) (F-3) (G-0)



IM-65LE
IM-65LE-25
IM-65LE-LM103
IM-65LE-C

C. ICEMAKING MECHANISM ASSY

(V-0) and later



HE,GENERAL,OCEANIA,RINNAI,KOREA,AUSTRALIA,EXPORT,HSP

MODEL : IM-65LE,IM-65LE-25				TITLE : C. ICE MAKING MECHANISM ASSY			
INDEX NO.	DESCRIPTION	MATERIAL OR MODEL NUMBER	PART NUMBER	REQ'D NUMBER			
				F-1	F-2	F-3 G-0 H-0	H-1,J-0 K-0,A-0 B-0
J	BIN CONTROL SWITCH ASSY	(S-0817)	3H1537A02	1	1	1	1
K	WATER PAN ASSY	(IM-65LE)	2H0658A04	1	1	1	1
	WATER PAN ASSY	(IM-65LE-25)	2H0658A05				
1	ACTUATOR MOTOR	TC0530	421132-01	1	—		
		SR65A41-13	452499-01		1	1	1
2	BRACKET - ACTUATOR MOTOR	G.S	3H1388-01	1	1	1	1
3	CAM (A)	AC	2H0659-01	1	1	1	1
4	CAM (B)	AC	3H1389-01	1	1	1	1
5	GUIDE - CONNECTOR	-	4H5618-02	1	1	1	1
6	BOARD SUPPORT	KGLS-4S	414929-02	3	3	3	3
7	TIE	CV-100	7920-0002	2	2	2	2
8	HOLDER	575	428644-02	1	1	1	1
9	CAM SHAFT	S.S	4H2589G01	1	1	1	1
10	SPLIT PIN	S.S, 2x12	711S-0212	1	1	1	1
11	SPRING	S.S	4H2590-01	2	2	2	2
12	TOGGLE SWITCH	VAT4-71	431977-01	1	1	1	1
13	WASHER - TOGGLE SWITCH	S.S	406196-01	1	1	1	1
14	SWITCH COVER	PE	408163-01	1	1	1	1
15	CAM SHAFT HOLDER	ABS	307256-01	1	1	1	1
16	HANGER BRACKET (FRONT) - WATER PAN	S.S	4H2591G01	1	1	1	1
17	HANGER BRACKET (REAR) - WATER PAN	S.S	4H2592G01	1	1	1	1
18	SCREW - EVAPORATOR MOUNTING	(IM-65LE)	4H2593-01	4	4	4	4
	SCREW EVAPORATOR	(IM-65LE-25)	4Y4922M02	4	4	4	4
19	WASHER	AC	4H0777-01	4	4	4	4
20	SPACER	(IM-65LE)	4H0471-01	4	4	4	4
	SPACER	(IM-65LE-25)	4X5342-01	4	4	4	4
21	CLAMP	No. 2674	427902-02	1	1	1	1
22	SPRING PIN	S.S, 3x12	712S-0322	1	1	1	1
23	BRACKET - ICE MAKING MECHANISM	(IM-65LE)	3H1390-01	1	1	—	
			3H9593-01			1	1
	BRACKET - ICE MAKING MECHANISM	(IM-65LE-25)	3H1699-01	1	1	—	
			3H9651-01			1	1

HE,GENERAL,OCEANIA,RINNAI,KOREA,AUSTRALIA,EXPORT,HSP

MODEL : IM-65LE,IM-65LE-25				TITLE : C. ICE MAKING MECHANISM ASSY			
INDEX NO.	DESCRIPTION	MATERIAL OR MODEL NUMBER	PART NUMBER	REQ'D NUMBER			
				B-1 C-0	C-1 D-0	D-1	D-2 E-0
J	BIN CONTROL SWITCH ASSY	(S-0817)	3H1537A02	1	1	1	1
K	WATER PAN ASSY	(IM-65LE)	2H0658A04	1	—		
			2H0658A05		1	1	1
	WATER PAN ASSY	(IM-65LE-25)	-	1	1	1	1
1	ACTUATOR MOTOR	SR65A41-13	452499-01	1	1	1	1
2	BRACKET - ACTUATOR MOTOR	G.S	3H1388-01	1	1	1	1
3	CAM (A)	AC	2H0659-01	1	1	1	1
4	CAM (B)	AC	3H1389-01	1	1	1	1
5	GUIDE - CONNECTOR	-	4H5618-02	1	1	1	1
6	BOARD SUPPORT	KGLS-4S	414929-02	3	3	3	3
7	TIE	CV-100	7920-0002	2	2	2	2
8	HOLDER	575	428644-02	1	1	1	1
9	CAM SHAFT	S.S	4H2589G01	1	1	1	1
10	SPLIT PIN	S.S, 2x12	711S-0212	1	1	1	1
11	SPRING	S.S	4H2590-01	2	2	2	2
12	TOGGLE SWITCH	VAT4-71	431977-01	1	1	1	1
13	WASHER - TOGGLE SWITCH	S.S	406196-01	1	1	1	1
14	SWITCH COVER	PE	408163-01	1	1	1	1
15	CAM SHAFT HOLDER	ABS	307256-01	1	1	1	1
16	HANGER BRACKET (FRONT) - WATER PAN	S.S	4H2591G01	1	1	1	1
17	HANGER BRACKET (REAR) - WATER PAN	S.S	4H2592G01	1	1	1	1
18	SCREW - EVAPORATOR MOUNTING	(IM-65LE)	4H2593-01	4	4	4	4
	SCREW EVAPORATOR	(IM-65LE-25)	4Y4922M02	4	4	4	4
19	WASHER	AC	4H0777-01	4	4	4	4
20	SPACER	(IM-65LE)	4H0471-01	4	4	4	4
	SPACER	(IM-65LE-25)	4X5342-01	4	4	4	4
21	CLAMP	No. 2674	427902-02	1	1	1	1
22	SPRING PIN	S.S, 3x12	712S-0322	1	1	1	1
23	BRACKET - ICE MAKING MECHANISM	(IM-65LE)	3H9593-01	1	1	1	1
	BRACKET - ICE MAKING MECHANISM	(IM-65LE-25)	3H9651-01	1	1	1	1
24	-	-	-				

MODEL : IM-65LE, IM-65LE-25 IM-65LE-LM103, IM-65LE-C				TITLE: C. ICE MAKING MECHANISM ASSY			
INDEX NO.	DESCRIPTION	MATERIAL OR MODEL NUMBER	PART NUMBER	REQ'D NUMBER			
				E-1	E-2 R-0 S-0	S-1	S-2,T-0 U-0,V-0 L-0
J	BIN CONTROL SWITCH ASSY (S-0817)	(IM-65LE) (IM-65LE-25) (IM-65LE-C)	3H1537A02	1	1	1	1
	BIN CONTROL SWITCH ASSY	(IM-65LE-LM103)	3H1537001				1
K	WATER PAN ASSY	(IM-65LE)	2H0658A05	1	1	1	1
		(IM-65LE-25)	-	1	1	1	1
		(IM-65LE-LM103)	-				1
		(IM-65LE-C)	1H4749A01				1
1	ACTUATOR MOTOR	SR65A41-13	452499-01	1	1	1	1
2	BRACKET - ACTUATOR MOTOR	(IM-65LE) (IM-65LE-25)	3H1388-01	1	1	1	1
		(IM-65LE-LM103)	3H3740-01				1
	BRACKET - AM	(IM-65LE-C)	3Y5391M01				1
3	CAM (A)	(IM-65LE) (IM-65LE-25) (IM-65LE-C)	2H0659-01	1	1	1	1
	CAM(A)	(IM-65LE-LM103)	306543G02				1
4	CAM (B)	(IM-65LE) (IM-65LE-25) (IM-65LE-C)	3H1389-01	1	1	1	1
		(IM-65LE-LM103)	315775-01				1
5	GUIDE - CONNECTOR	-	4H5618-02	1	1	1	1
6	BOARD SUPPORT	KGLS-4S	414929-02	3	3	3	3
7	TIE	CV-100	7920-0002	2	2	2	2
8	HOLDER	575	428644-02	1	1	1	1
9	CAM SHAFT	(IM-65LE) (IM-65LE-25)	4H2589G01	1	1	1	1
		(IM-65LE-LM103)	4H2589G02				1
		(IM-65LE-C)	4Y6949G01				
10	SPLIT PIN	S.S, 2x12	711S-0212	1	1	1	1
11	SPRING	(IM-65LE) (IM-65LE-25) (IM-65LE-C)	4H2590-01	2	2	2	2
		(IM-65LE-LM103)	4H0287-01				1
12	TOGGLE SWITCH	VAT4-71	431977-01	1	1	1	1
13	WASHER - TOGGLE SWITCH	S.S	406196-01	1	1	1	1
14	SWITCH COVER	PE	408163-01	1	1	1	1
15	CAM SHAFT HOLDER	ABS	307256-01	1	1	1	1
16	HANGER BRACKET (FRONT) - WATER PAN	(IM-65LE) (IM-65LE-25) (IM-65LE-C)	4H2591G01	1	1	1	1

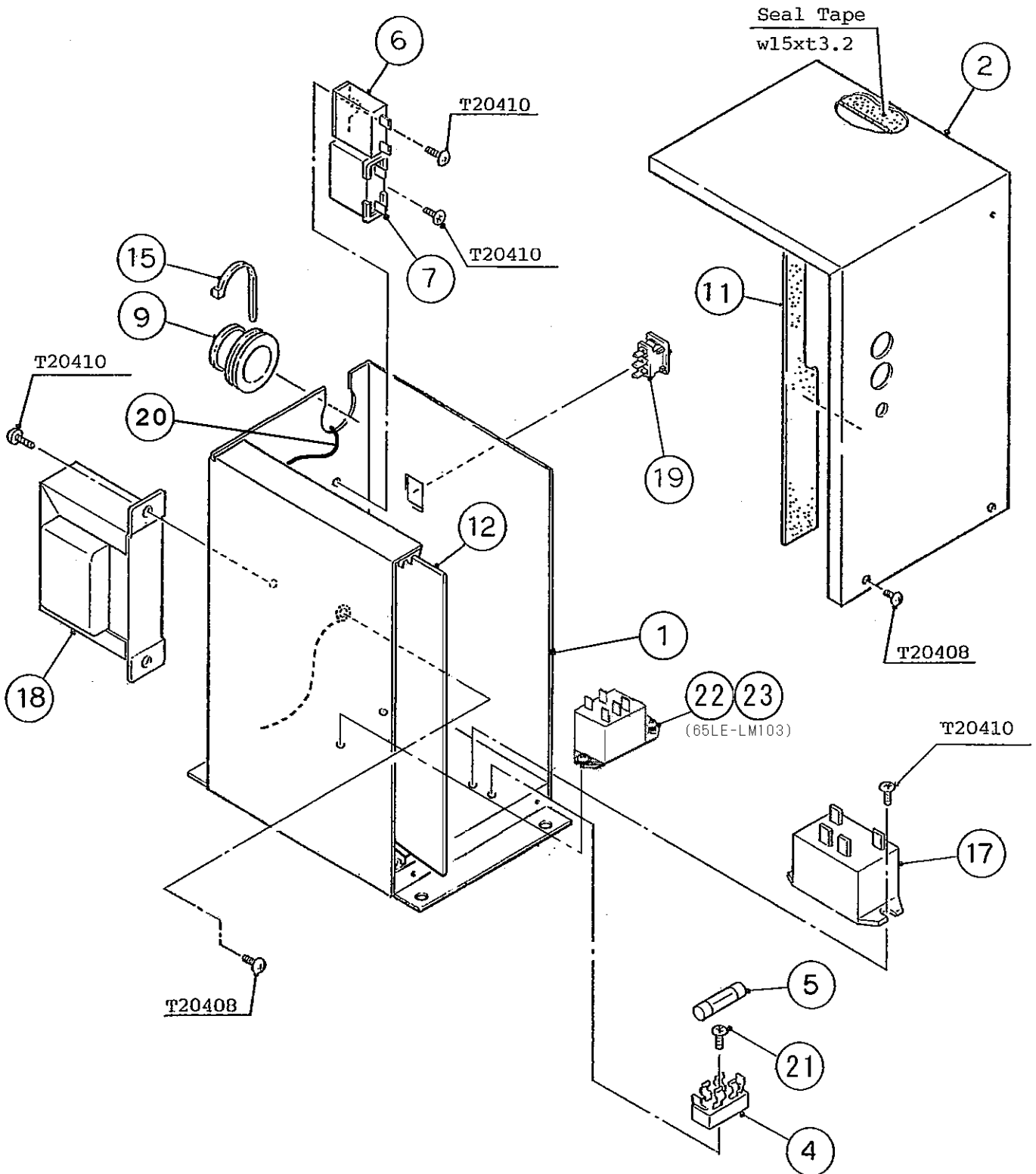
HE,GENERAL,OCEANIA,RINNAI,KOREA,AUSTRALIA,EXPORT,HSP,CHINA

MODEL : IM-65LE, IM-65LE-25 IM-65LE-LM103, IM-65LE-C				TITLE: C. ICE MAKING MECHANISM ASSY			
INDEX NO.	DESCRIPTION	MATERIAL OR MODEL NUMBER	PART NUMBER	REQ'D NUMBER			
				E-1	E-2 R-0 S-0	S-1	S-2,T-0 U-0,V-0 L-0
17	HANGER BRACKET (REAR) - WATER PAN	(IM-65LE) (IM-65LE-25) (IM-65LE-C)	4H2592G01	1	1	1	1
18	SCREW - EVAPORATOR MOUNTING	(IM-65LE)	4H2593-01	4	4	4	4
	SCREW EVAPORATOR	(IM-65LE-25)	4Y4922M02	4	4	4	4
	SCREW-EVAPORATOR MOUNTING(A)	(IM-65LE-LM103)	4H0405-01				4
	SCREW EVAPORATOR	(IM-65LE-C)	4Y4922M01				4
19	WASHER	AC	4H0777-01	4	4	4	4
20	SPACER	(IM-65LE) (IM-65LE-C)	4H0471-01	4	4	4	4
		(IM-65LE-25)	4X5342-01	4	4	4	4
		(IM-65LE-LM103)	4H1673G06				4
21	CLAMP	No. 2674	427902-02	1	1	1	1
22	SPRING PIN	S.S, 3x12	712S-0322	1	1	1	1
23	BRACKET - ICE MAKING MECHANISM	(IM-65LE)	3H9593-01	1	1	1	1
		(IM-65LE-25)	3H9651-01	1	1	1	1
	MECHANISM BASE(A)	(IM-65LE-LM103)	2H1636-01				1
	MECHANISM BASE - G	(IM-65LE-C)	3Y5390G01				1
24	-	-	-				
25	HOLDER - THERMISTOR	PE	3H9642-01	1	1	1	1
26	THERMISTOR	NBFC-36-AH1-3	462976-03	1	1	1	1
27	INSULATION (D)	(IM-65LE) (IM-65LE-25)	4X4013-02	1	1	1	1
		(IM-65LE-C)	4X4013-01				1
28	BEARING PLATE	(IM-65LE-LM103)	3H3900G01				2
29	INSULATION - BASE	(IM-65LE-LM103)	4H6656-01				1
30	BRACKET-PIPE	(IM-65LE-LM103)	4H5585-01				2
31	BRACKET - SWITCH	(IM-65LE-LM103)	4H6763-01				1
32	SHAFT (A)	(IM-65LE-LM103)	4H1184-01				2
33	SNAP PIN	(IM-65LE-LM103)	715S-0006				2
34	SPACER(C)	(IM-65LE-LM103)	4H6762-01				1
35	CHANGE LEVER	(IM-65LE-LM103)	406261-01				1

IM-65LE
IM-65LE-25
IM-65LE-LM103
IM-65LE-C

D. CONTROL BOX ASSY

(E-1) and later



HE,GENERAL,OCEANIA,RINNAI,KOREA,AUSTRALIA,EXPORT,HSP

MODEL : IM-65LE,IM-65LE-25				TITLE : D. CONTROL BOX ASSY			
INDEX NO.	DESCRIPTION	MATERIAL OR MODEL NUMBER	PART NUMBER	REQ'D NUMBER			
				F-1	F-2	F-3 G-0 H-0	H-1,J-0 K-0,A-0 B-0
1	CONTROL BOX	G.S	3H9136A01	1	—		
		G.S	3H9453G01		1	1	—
		G.S	3H9453G02				1
		G.S	3H9453G04				
2	CONTROL BOX COVER	G.S	4H2623-01	1	—		
		G.S	3H9456-01		1	1	1
3	SHIELD PLATE	G.S	4H2594-01	1	1	1	1
4	FUSE HOLDER	FH031, 250V10A	424288-01	1	—		
		445710	451925-01		1	1	1
		CFH15	4Y2547-01				
5	FUSE	5A	406519-03	1	—		
		5A	451924-01		1	1	1
6	CAPACITOR - ACTUATOR MOTOR	2.0 μ F	416921-08	1	—		
		0.8 μ F	456262-01		1	1	1
7	CAPACITOR - PUMP MOTOR	4.0 μ F	416920-02	1	1	1	1
		1.0 μ F	457885-01				
8	GROMMET - PUSH	-	4H2596-01	1	×		
9	GROMMET	-	4H2568-01	1	1	1	1
10	PACKING	-	4H2644-01	1	×		
11	CUSHION	20 x 210 x 2.5t	4H2718-01	1	1	1	1
12	CONTROLLER BOARD	H2AA136C01	436572-01	1	1	—	
		H2AA136C10	436572-10			1	1
		H2AE024C18	462975-18				
13	SURGE ABSORBER	-	436573-02	1	1	1	1
14	BRACKET - FUSE HOLDER	G.S	4H2597-01	1	×		
15	NYLON TIE	PRT1.5S	427466-01	1	1	1	1
16	MAGNETIC CONTACTOR	FMC-OTZ15-40	415856-03	1	×		
17	POWER RELAY	G7L-1A-TUB	449000-01		1	1	1
18	TRANSFORMER	230V / 100V	450104-01		1	1	1
19	ROCKER SWITCH	H8600VB	460681-01				1

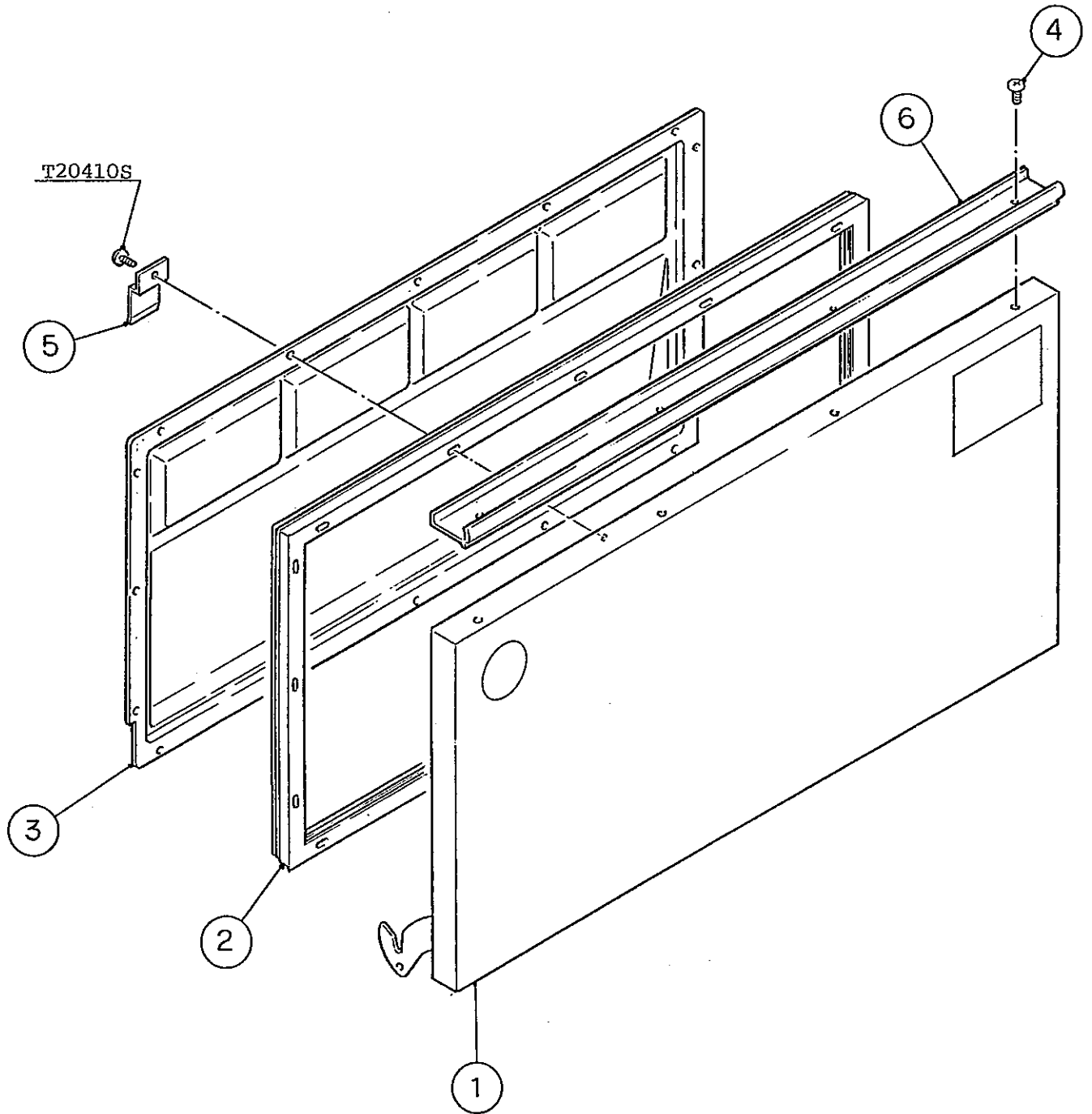
HE,GENERAL,OCEANIA,RINNAI,KOREA,AUSTRALIA,EXPORT,HSP,CHINA

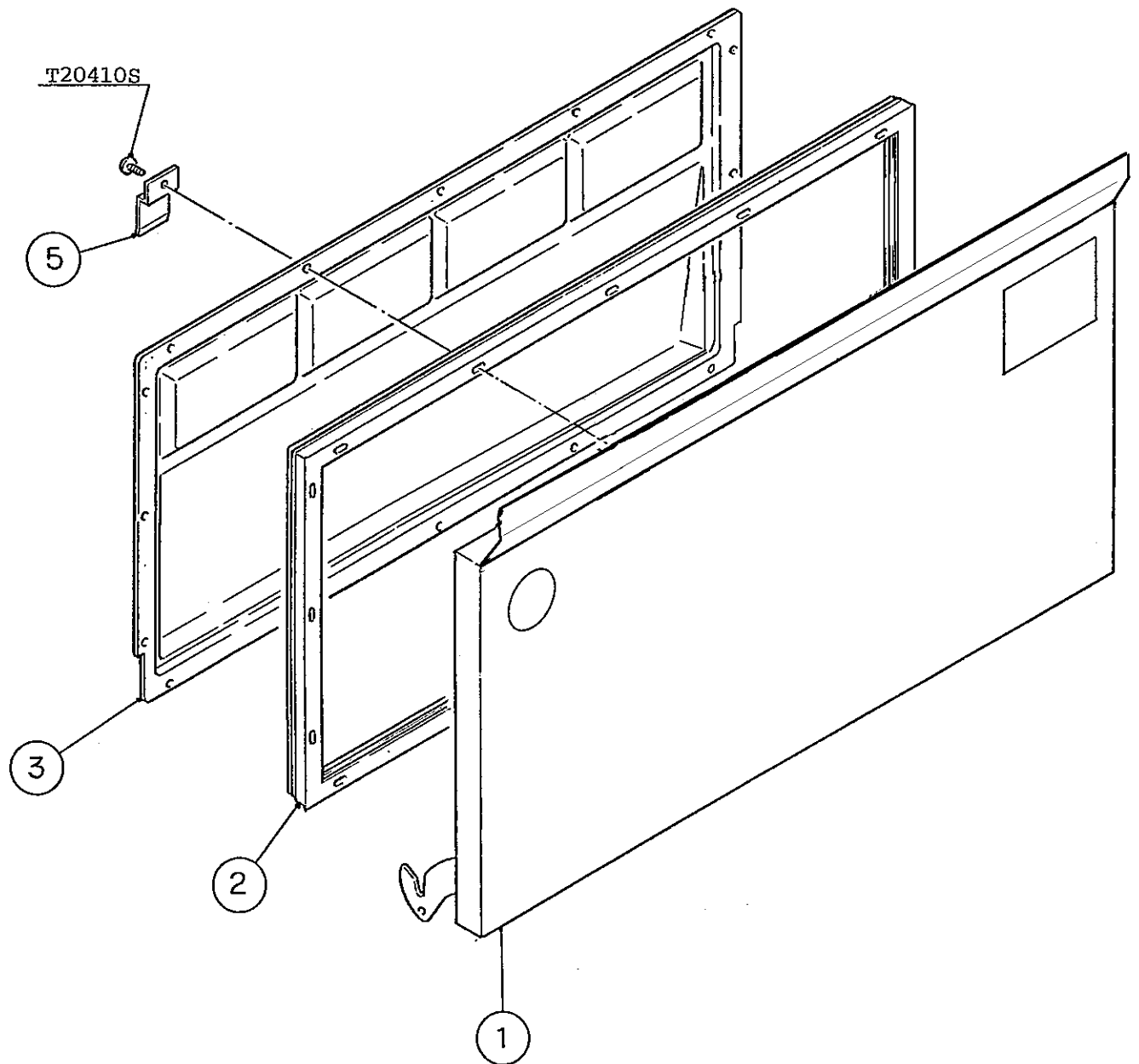
MODEL : IM-65LE, IM-65LE-25 IM-65LE-LM103, IM-65LE-C				TITLE: D. CONTROL BOX ASSY			
INDEX NO.	DESCRIPTION	MATERIAL OR MODEL NUMBER	PART NUMBER	REQ'D NUMBER			
				E-1	E-2 R-0 S-0	S-1	S-2,T-0 U-0,V-0 L-0
1	CONTROL BOX	(IM-65LE) (IM-65LE-25) (IM-65LE-C)	3H9453G04	1	1	1	1
		(IM-65LE-LM103)	3Y4549G01				1
2	CONTROL BOX COVER	G.S	3H9456-01	1	1	1	1
3	SHIELD PLATE	G.S	4H2594-01	×			
4	FUSE HOLDER	CFH15	4Y2547-01	1	1	1	1
5	FUSE	5A	451924-01	1	1	1	1
6	CAPACITOR - ACTUATOR MOTOR	0.8μF	456262-01	1	1	1	1
7	CAPACITOR - PUMP MOTOR	1.0μF	457885-01	1	1	1	1
8	-	-	-				
9	GROMMET	-	4H2568-01	1	1	1	1
10	-	-	-				
11	CUSHION	20 x 210 x 2.5t	4H2718-01	1	1	1	1
12	CONTROLLER BOARD (H2AA136C10)	(IM-65LE)	436572-10	—			
	CONTROLLER BOARD (H2AE024C18)	(IM-65LE-25)	462975-18	1	1	1	1
	CONTROLLER BOARD (H2AE024C01)	(IM-65LE-LM103) (IM-65LE-C)	462975-01				1
13	SURGE ABSORBER	-	436573-02	×			
14	-	-	-				
15	NYLON TIE	PRT1.5S	427466-01	1	1	1	1
16	-	-	-				
17	POWER RELAY	G7L-1A-TUB	449000-01	1	1	1	1
18	TRANSFORMER	230V / 100V	450104-01	1	1	1	1
19	ROCKER SWITCH	H8600VB	460681-01	1	1	1	1
20	THERMISTOR-AMBIENT TEMP	182-103-86742	462977-02	1	1	1	1
21	TRUSS HEAD TAPPING SCREW T2	(IM-65LE) (IM-65LE-25) (IM-65LE-C)	2H6762Z17	1	1	1	1
	T2 SCREW	(IM-65LE-LM103)	2H9677-17				1
22	HL RELAY 15A	(IM-65LE-LM103)	430005-01				1
23	T2 SCREW	(IM-65LE-LM103)	2H9677-25				2

IM-65LE
IM-65LE-25

E. DOOR ASSY

(S-0)
(E-0) (E-1) (E-2) (R-0)
(C-1) (D-0) (D-1) (D-2)
(A-0) (B-0) (B-1) (C-0)
(H-0) (H-1) (J-0) (K-0)
(F-1) (F-2) (F-3) (G-0)

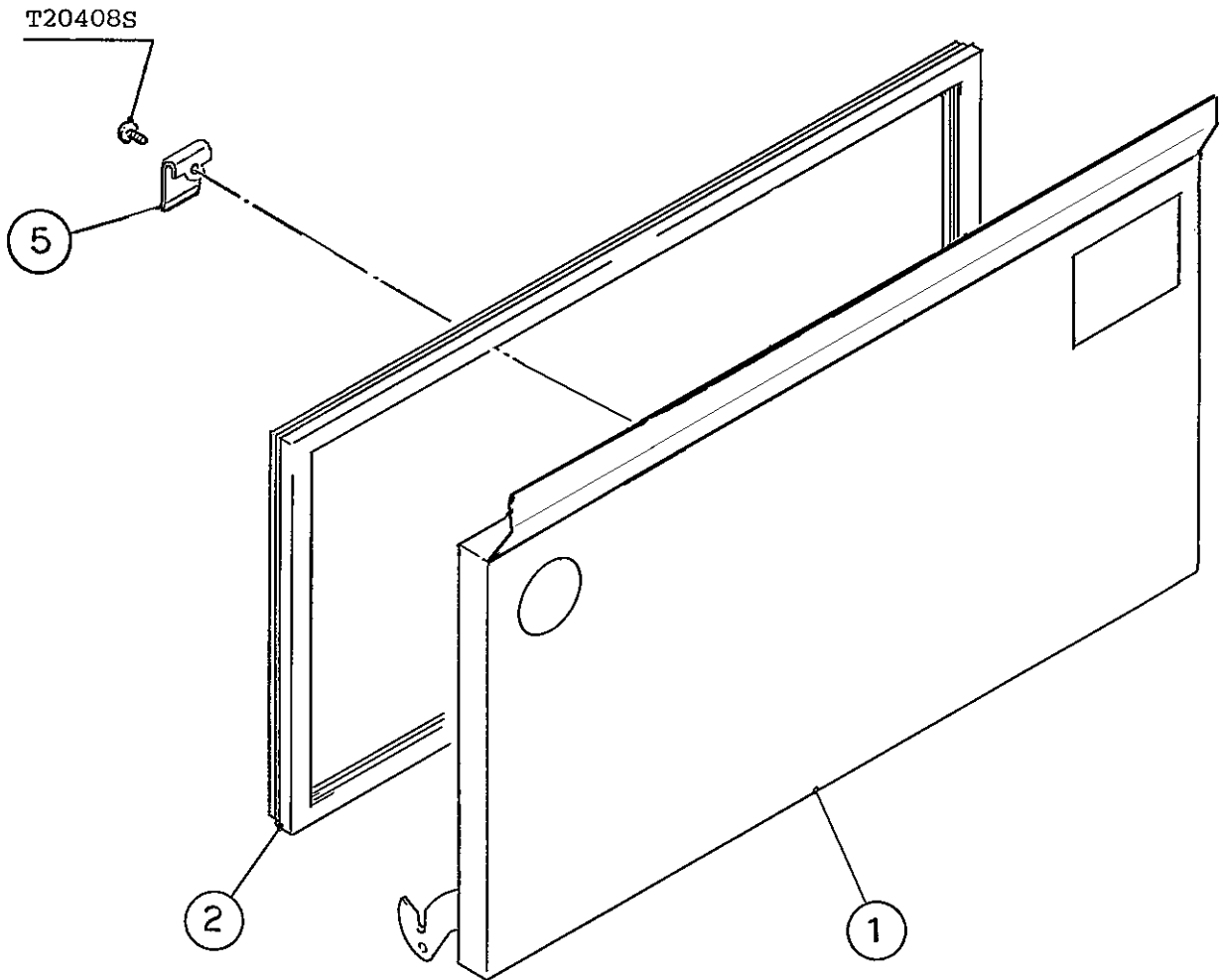


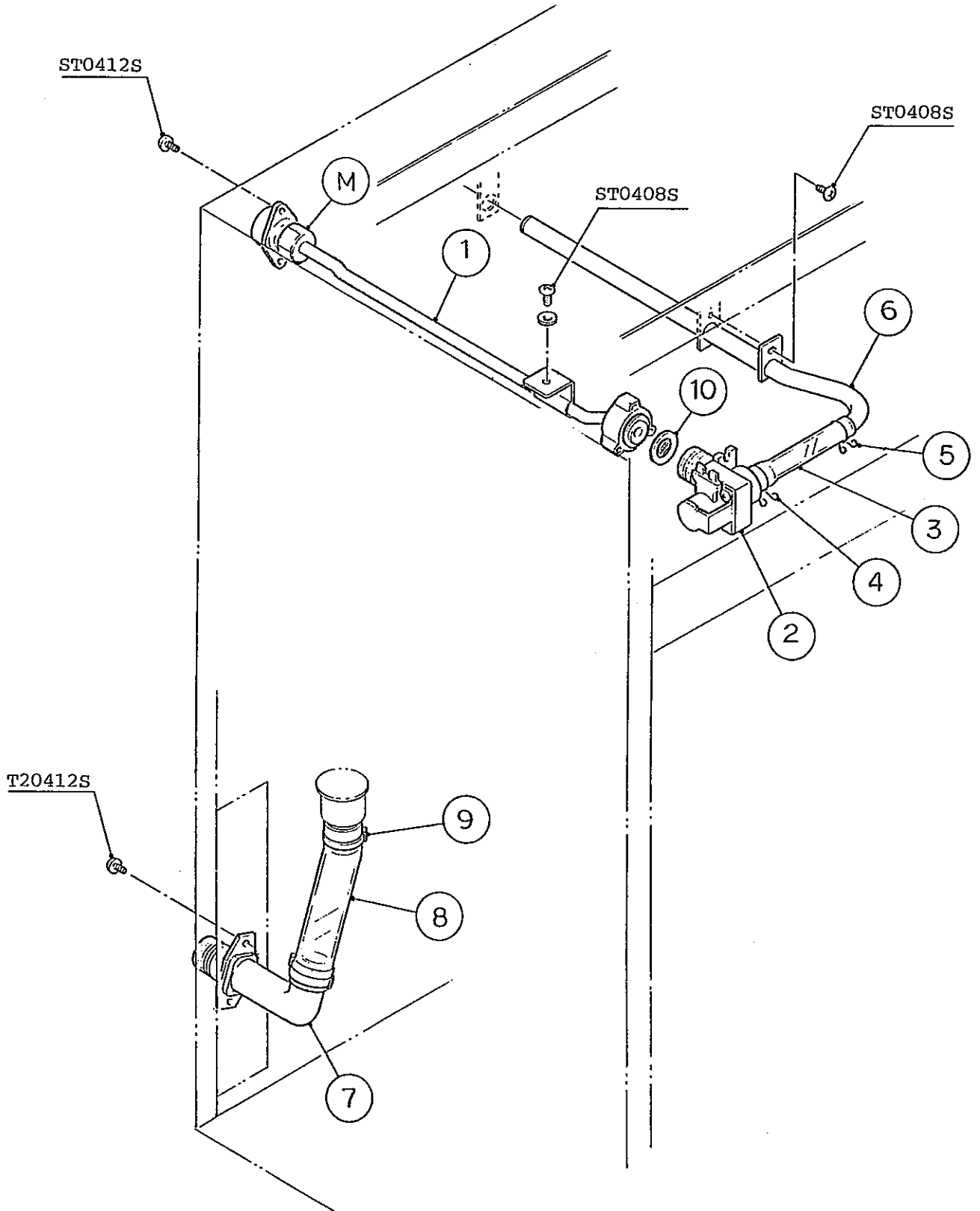


IM-65LE
IM-65LE-25
IM-65LE-LM103
IM-65LE-C

E. DOOR ASSY

(S-2) and later

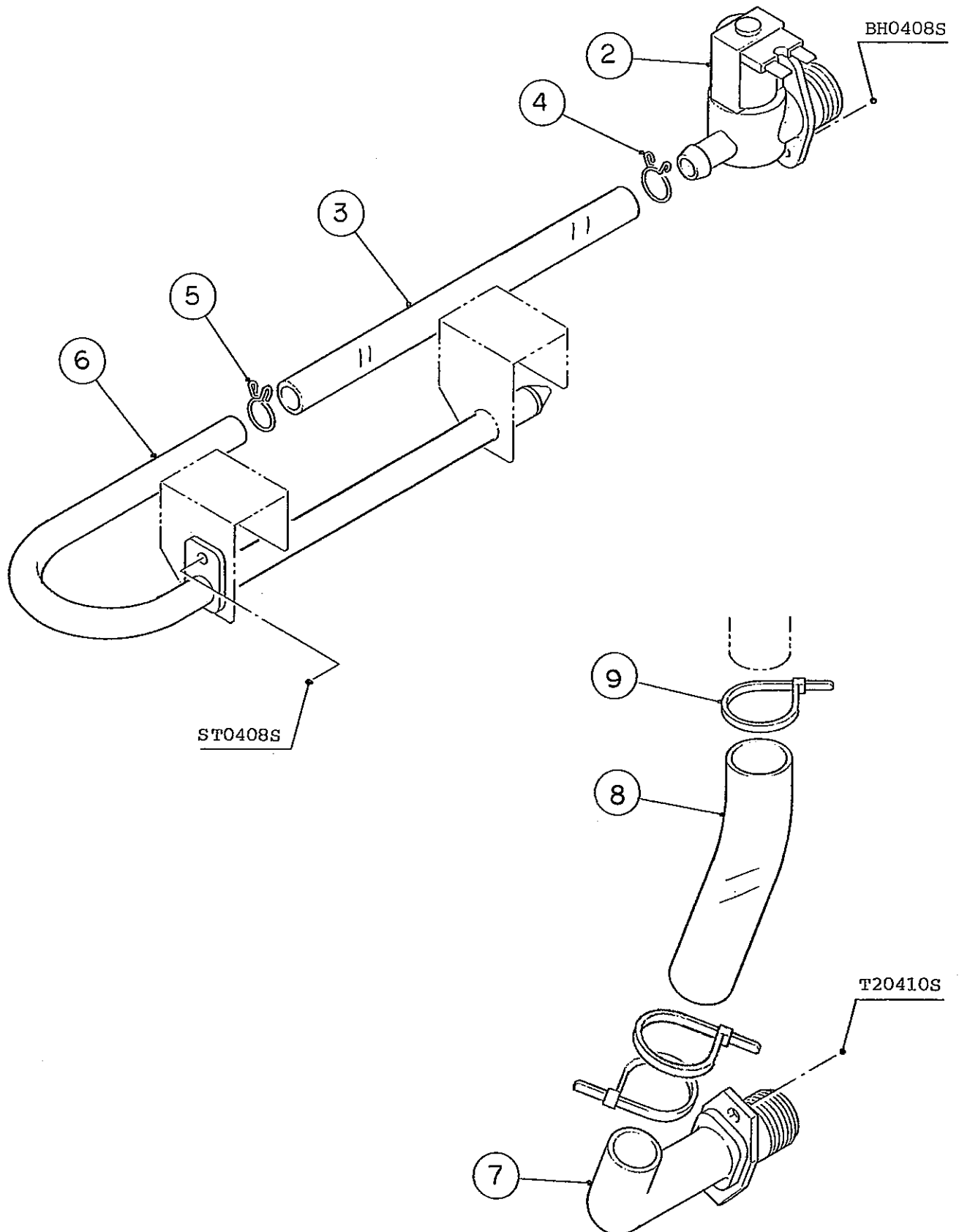




IM-65LE
IM-65LE-25
IM-65LE-LM103
IM-65LE-C

F. WATER CIRCUIT ASSY

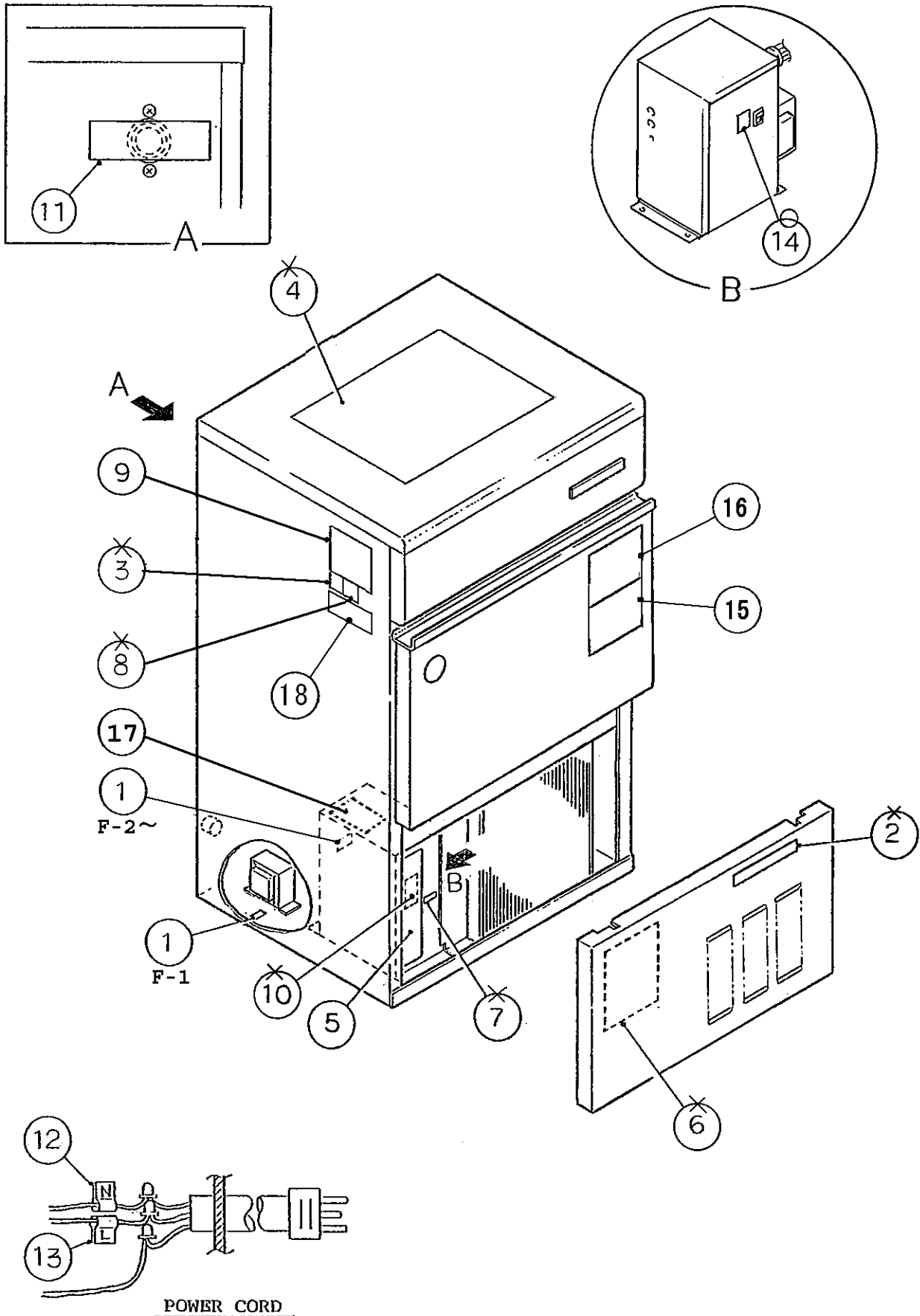
(D-1)(D-2)(E-0)(E-1)and later
(B-1)(C-0)(C-1)(D-0)
(J-0)(K-0)(A-0)(B-0)
(F-3)(G-0)(H-0)(H-1)



IM-65LE
 IM-65LE-25
 IM-65LE-LM103
 IM-65LE-C

G. LABEL LOCATION

(E-0) (E-1) and later
 (C-1) (D-0) (D-1) (D-2)
 (A-0) (B-0) (B-1) (C-0)
 (H-0) (H-1) (J-0) (K-0)
 (F-1) (F-2) (F-3) (G-0)

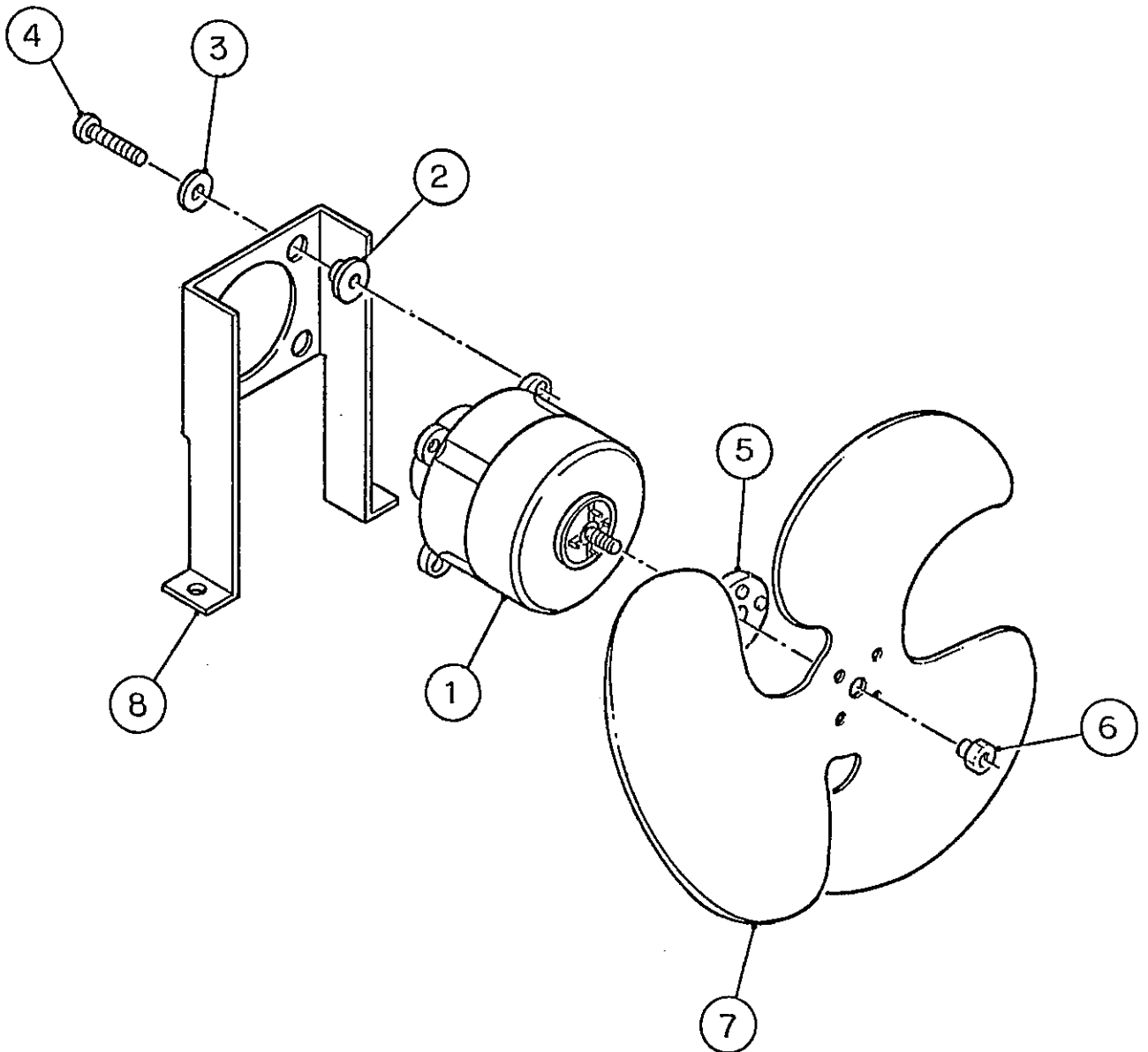


(S-0898)

IM-65LE
IM-65LE-25

H. FAN MOTOR ASSY

(F-1)

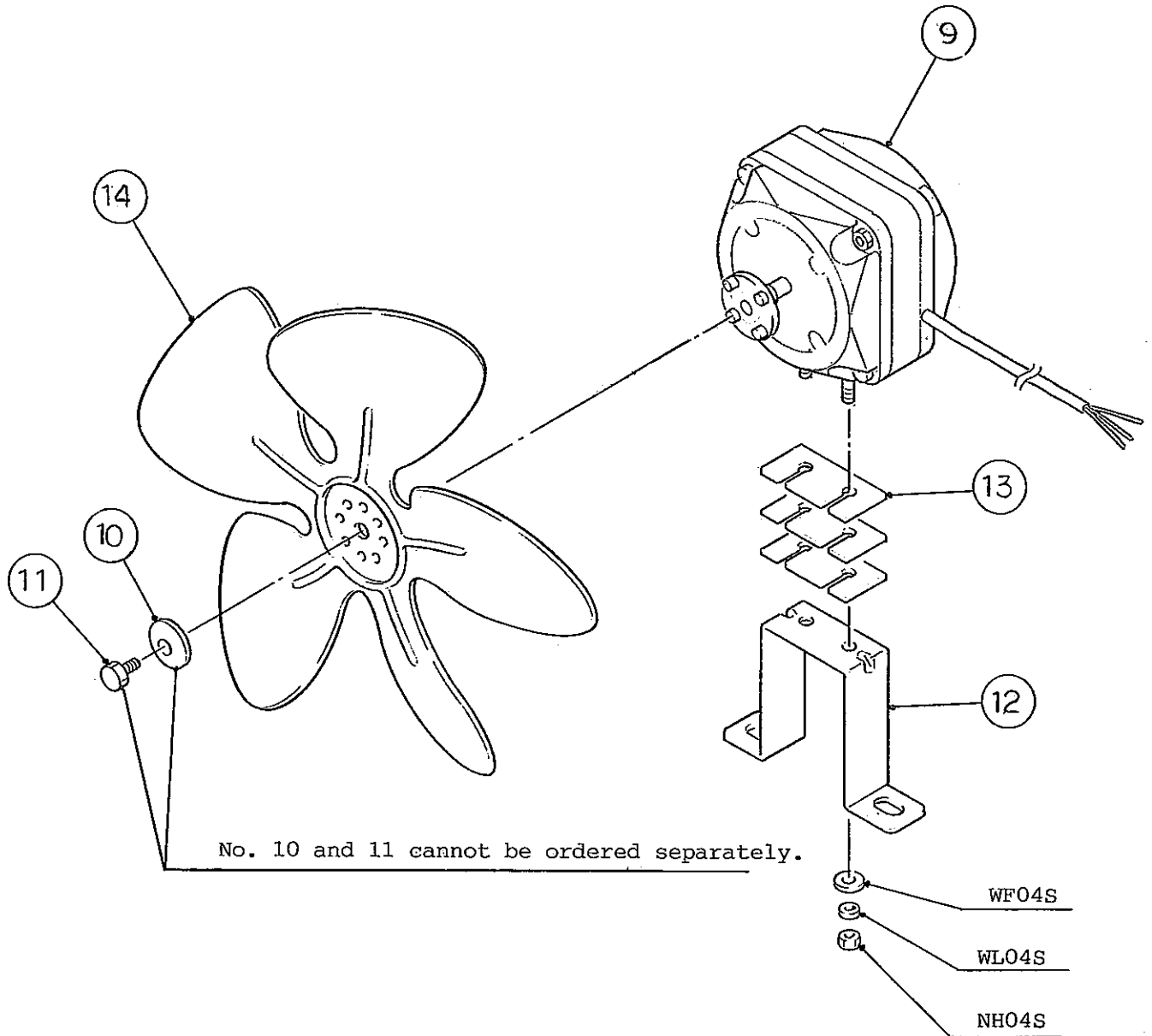


(S-0950)

IM-65LE
IM-65LE-25
IM-65LE-LM103
IM-65LE-C

H. FAN MOTOR ASSY

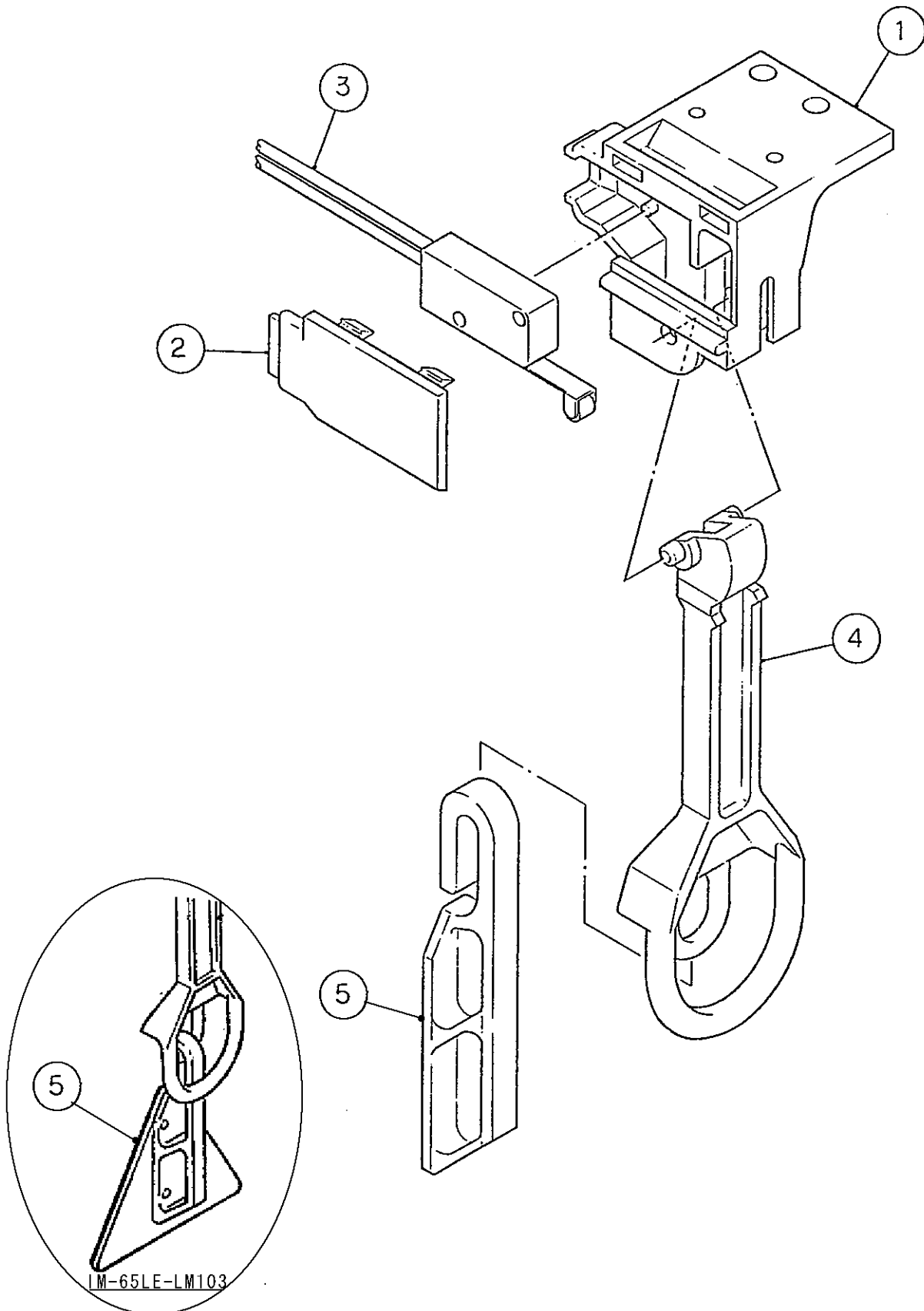
(E-1) and later
(D-0) (D-1) (D-2) (E-0)
(B-0) (B-1) (C-0) (C-1)
(H-1) (J-0) (K-0) (A-0)
(F-2) (F-3) (G-0) (H-0)



IM-65LE
IM-65LE-25
IM-65LE-LM103
IM-65LE-C

J. BIN CONTROL SWITCH ASSY

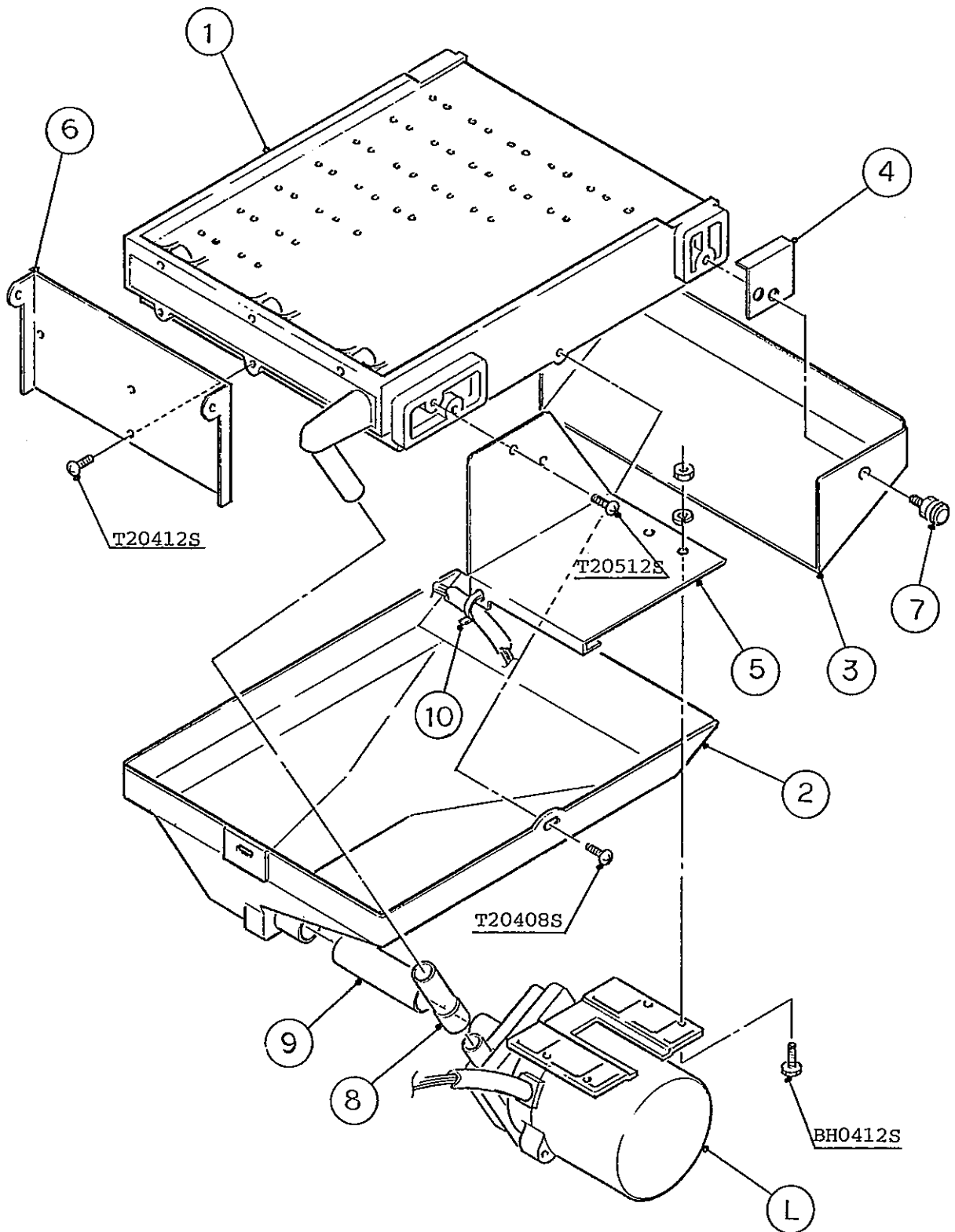
(E-0) (E-1) and later
(C-1) (D-0) (D-1) (D-2)
(A-0) (B-0) (B-1) (C-0)
(H-0) (H-1) (J-0) (K-0)
(F-1) (F-2) (F-3) (G-0)



IM-65LE
IM-65LE-25

K. WATER PAN ASSY

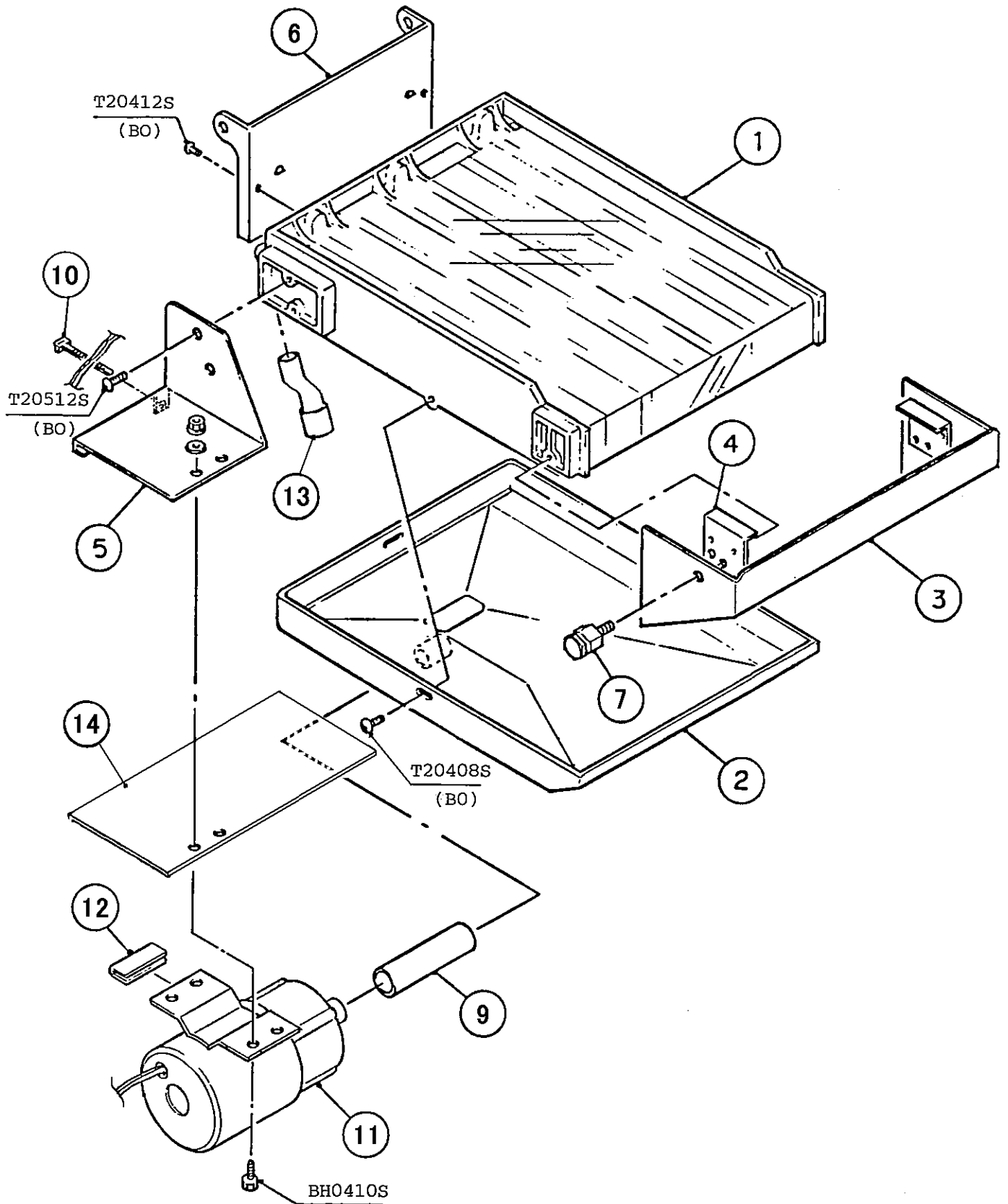
(A-0)(B-0)(B-1)(C-0)
(H-0)(H-1)(J-0)(K-0)
(F-1)(F-2)(F-3)(G-0)

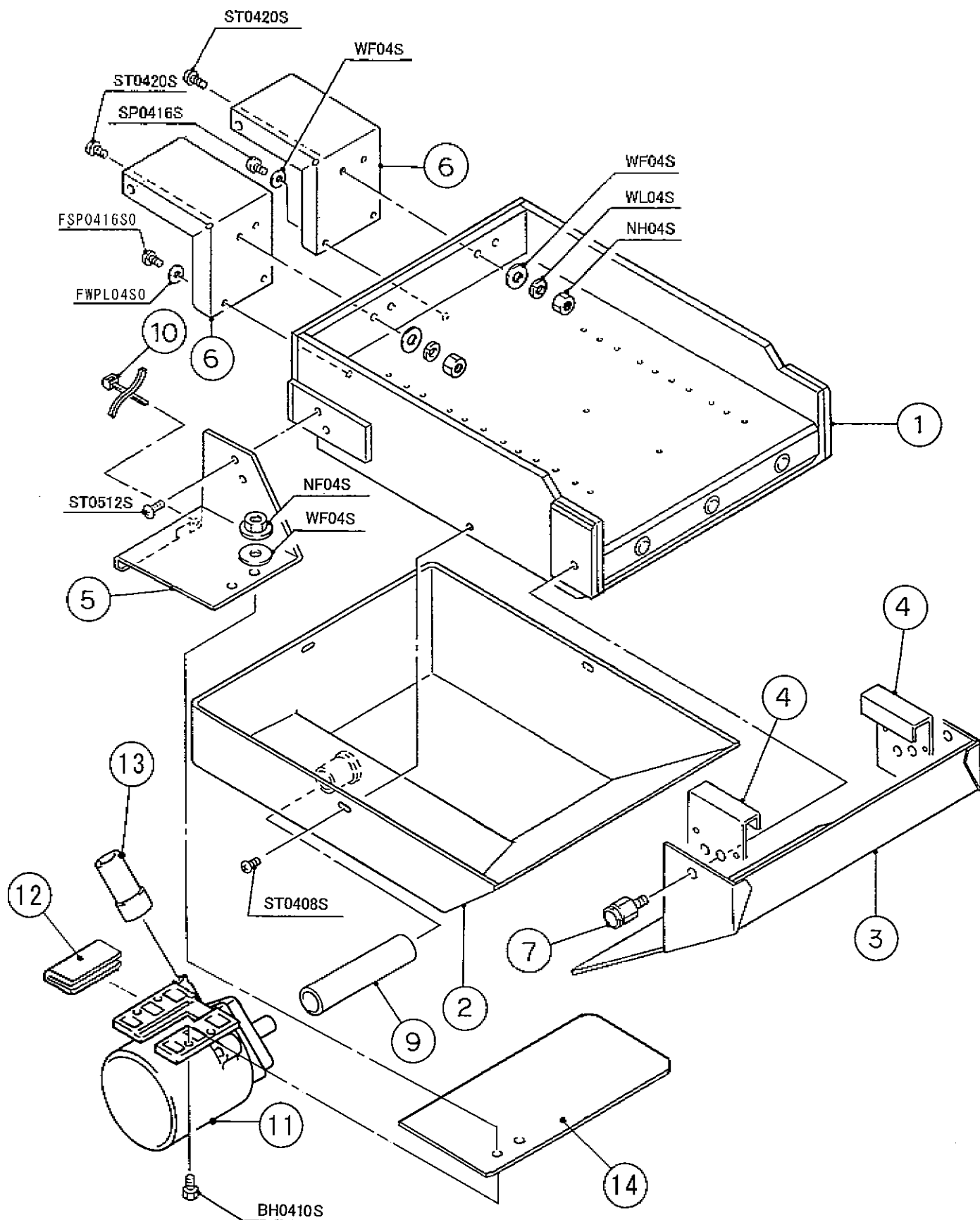


IM-65LE
IM-65LE-25
IM-65LE-C

K . WATER PAN ASSY

(E-0) (E-1) and later
(C-1) (D-0) (D-1) (D-2)





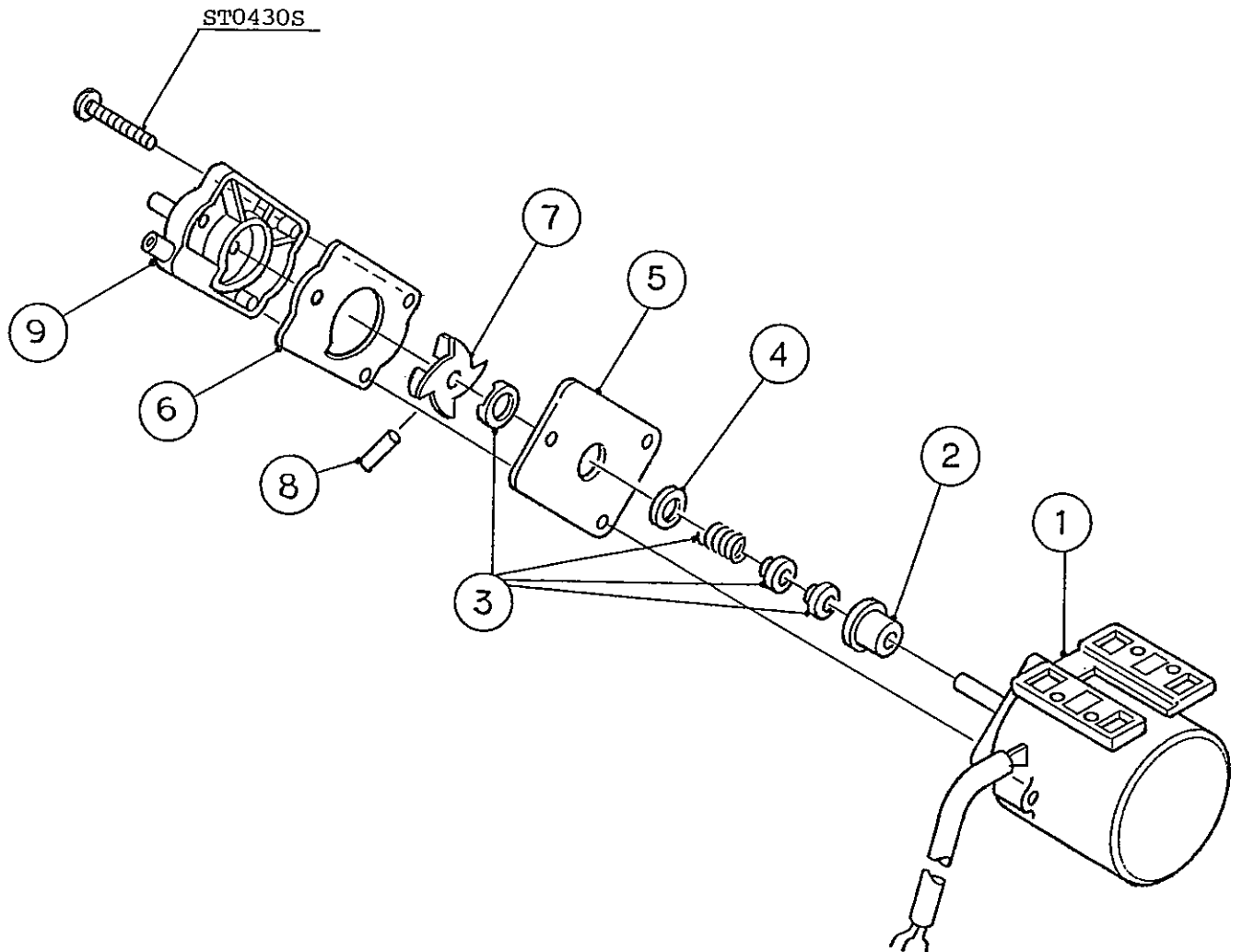
HE,GENERAL,OCEANIA,RINNAI,KOREA,AUSTRALIA,EXPORT,HSP,CHINA

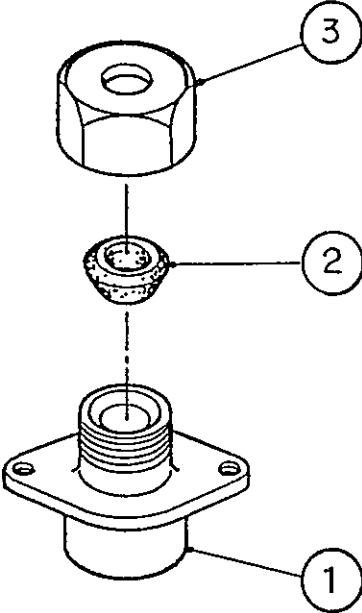
MODEL : IM-65LE, IM-65LE-25 IM-65LE-LM103, IM-65LE-C				TITLE: K. WATER PAN ASSY			
INDEX NO.	DESCRIPTION	MATERIAL OR MODEL NUMBER	PART NUMBER	REQ'D NUMBER			
				E-1	E-2 R-0 S-0	S-1	S-2,T-0 U-0,V-0 L-0
L	-	-	-				
1	WATER PLATE	(IM-65LE)	2H0598G02	1	1	1	1
		(IM-65LE-25)	2H0598G03	1	1	1	1
		(IM-65LE-LM103)	1H0721G01				1
		(IM-65LE-C)	1H4748G01				1
2	WATER TANK	(IM-65LE) (IM-65LE-25) (IM-65LE-C)	3X8042G01	1	1	1	1
		(IM-65LE-LM103)	2H1631G01				1
3	DRAIN GUIDE	(IM-65LE) (IM-65LE-25)	3H5521-01	1	1	1	1
	WATER GUIDE	(IM-65LE-LM103)	2H1634-01				1
	GUIDE - DRAIN	(IM-65LE-C)	3Y5392M01				1
4	PLATE - LUBRICATION	(IM-65LE) (IM-65LE-25) (IM-65LE-C)	4H0448-01	2	2	2	2
	BRACKET (B)	(IM-65LE-LM103)	4H6659-01				2
5	BRACKET - PUMP MOTOR	S.S	4H2642-01	1	1	1	1
6	BRACKET - WATER PAN	(IM-65LE) (IM-65LE-25)	4H2643-01	1	1	1	1
	BRACKET - WATER PLATE	(IM-65LE-LM103)	3H3899-01				2
	BRACKET - WP	(IM-65LE-C)	4Y6937M01				1
7	SCREW - SPRING HOOK	AC	4H2582G01	2	2	2	2
8	-	-	-				
9	SUCTION TUBING	SI	4H1922-01	1	1	1	1
10	TIE	CV-100	7920-0002	1	1	1	1
11	PUMP MOTOR	LMP-25CP	463999-01	1	1	1	1
12	"U" PACKING	RUBBER	4H2982-01	1	1	1	1
13	DISCHARGE TUBING	SI	4Y1376-01	1	1	1	1
14	COVER / PUMP MOTOR	ABS	4Y1430-01	1	1	1	1

IM-65LE
IM-65LE-25

L. WATER PUMP ASSY

(A-0)(B-0)(B-1)(C-0)
(H-0)(H-1)(J-0)(K-0)
(F-1)(F-2)(F-3)(G-0)





IM-65LE
IM-65LE-25
IM-65LE-LM103
IM-65LE-C

N. ACCESSORIES

(E-0) (E-1) and later
(C-1) (D-0) (D-1) (D-2)
(A-0) (B-0) (B-1) (C-0)
(H-0) (H-1) (J-0) (K-0)
(F-1) (F-2) (F-3) (G-0)

