



First Choice
Group

SPARE PARTS DIAGRAM FOR



HOSHIZAKI

Ice Machine
IM-240AME
IM-240AME-23
IM-240AME-21

First Choice Group
Blakeney Way, Kingswood Lakeside
Cannock, Staffs, WS11 8LD
TEL: 01543 577778 FAX: 01543504141
Email: enquires@firstchoice-cs.co.uk
Web: www.firstchoice-cs.co.uk



HOSHIZAKI MODULAR CUBER

MODEL **IM-240AME**
IM-240AME-23
IM-240AME-21

PARTS LIST

[HE, GENERAL (50Hz) (60Hz), KOREA, HSP, CHINA]

B-0	JUN. 2002	F-0	DEC. 2005	V-0	JAN. 2010
B-1	OCT. 2002	F-1	JUN. 2006	L-0	JAN. 2011
C-0	DEC. 2002	G-0	JAN. 2007		
C-1	JAN. 2003	G-1	AUG. 2007		
D-0	DEC. 2003	H-0	JAN. 2008		
D-1	NOV. 2004	U-0	JAN. 2009		
E-0	DEC. 2004	U-1	APR. 2009		
E-1	APR. 2005	U-2	NOV. 2009		

MATERIAL ABBREVIATIONS

ALUMINUM

AL = Aluminum

COPPER

CU = Copper

PLASTIC

ABS = Acrylonitrile -butadiene - styrene
AC = Polyacetal
EVA = Ethylene vinyl acetate
PA = Polyamide = Nylon
PC = Polycarbonate
PE = Polyethylene
PES = Polyester
PETP = Polyethylene terephthalate = Tetlon
PP = Polypropylene
PS = Polystyrene
PTFE = Polytetrafluoroethylene = Teflon
PUR = Polyurethane
PVC = Polyvinyl chloride

RUBBER

VN = Vinyl Nitrile
EPDM = EP rubber
NBR = Nitrile butadiene rubber
NR = Natural rubber
NP = Neoprene
SI.R = Silicone rubber
SY.R = Synthetic rubber
EPH = Epichlorohydrin

STEEL

GS = Galvanized steel
SS = Stainless steel
PS = Plated steel
PAS = Primed steel

AUXILIARY CODE

K-0

└─ Designates the year. "K" indicates the year 2000. Years progress or regress in alphabetical order. "J" is 1999, "L" is 2001, "M" is 2002, and so on. The letters "I" and "O" were skipped.
└─ Designates significant part changes within the same year. Base is 0 and this number advances for each change.

Example: P-1

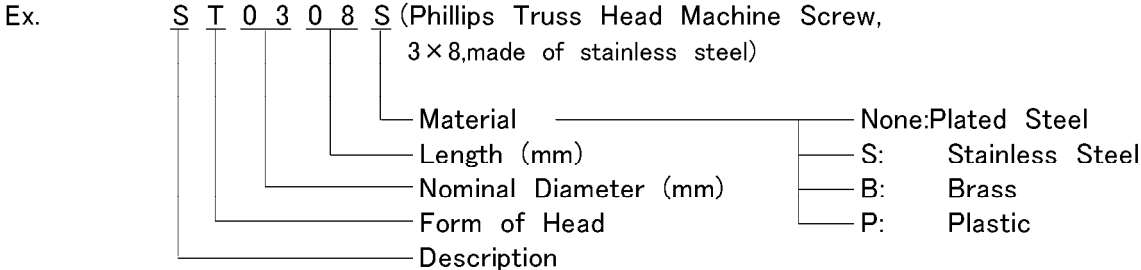
└─ "P" indicates 2004.
└─ "1" indicates the first significant part change for 2004.

MARKS LOCATED UNDER THE AUXILIARY CODE

- = Part deleted.
x = Part deleted and replaced by "o" part.
o = New part in place of "x" part.

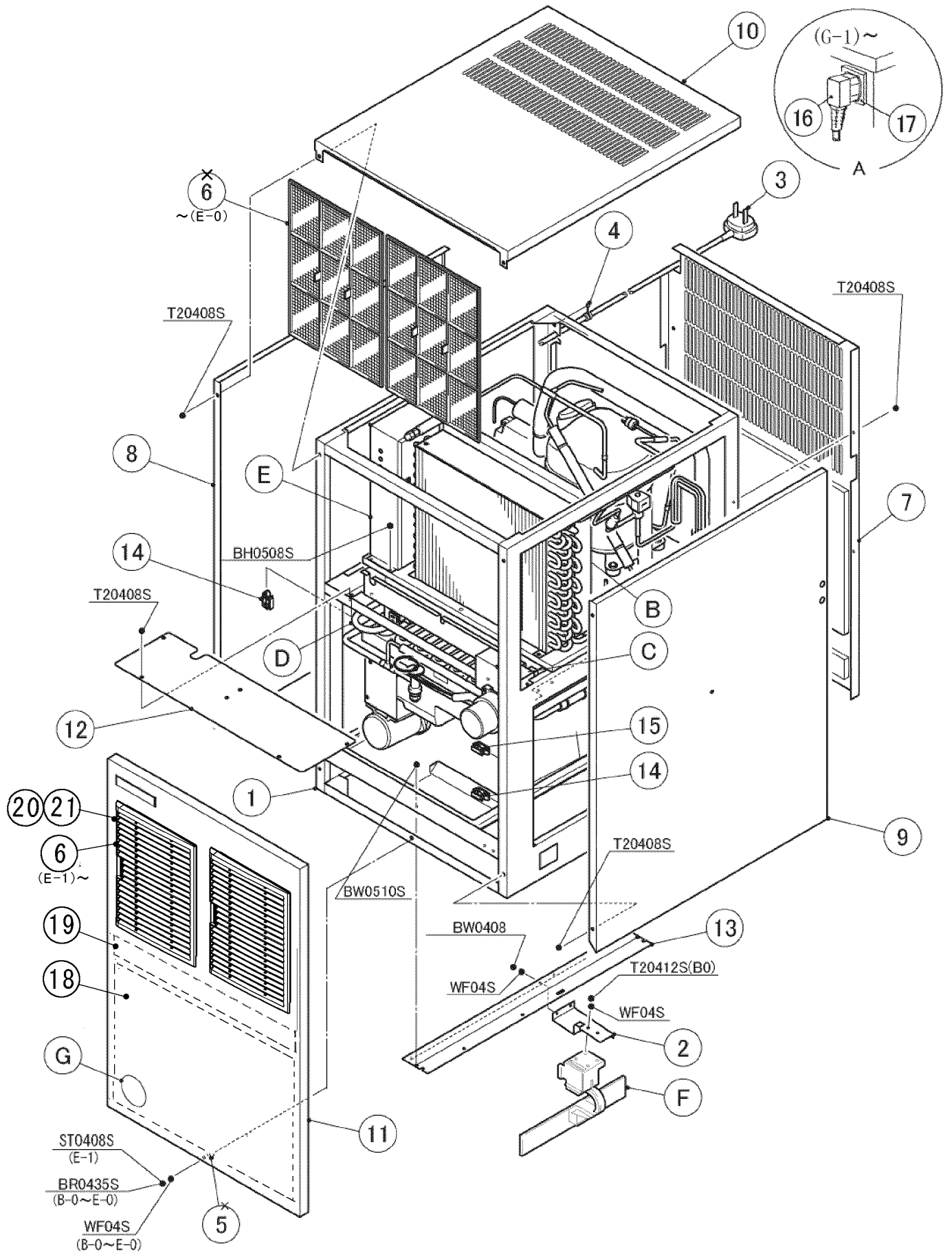
FASTENER ABBREVIATION LIST

ST	=	Phillips Truss Head Machine Screw
SP	=	Phillips Pan Head Machine Screw
SF	=	Phillips Flat Head Machine Screw
SS	=	Phillips Pan Head Machine Screw with Split Lock Washer
SW	=	Phillips Pan Head Machine Screw with Split Lock Washer and Flat Washer
T1	=	Phillips Truss Head Tapping Screw (Correspond to Type A)
T2	=	Phillips Truss Head Tapping Screw (Correspond to Type B)
T3	=	Phillips Truss Head Tapping Screw (Correspond to Type C)
FT	=	Phillips Truss Head Tapping Screw (Special)
BH	=	Hexagon Head Bolt
BC	=	Socket Head Cap Screw
BS	=	Hexagon Bolt with Split Washer
BW	=	Hexagon Bolt with Split Washer and Flat Washer
BF	=	Hexagon Flange Bolt
BR	=	Cross-Recessed Hexagon Head Bolt
BRW	=	Cross-Recessed Hexagon Head Bolt with Split Lock Washer and Flat Washer
WL	=	Split Lock Washer
WT	=	External Tooth Washer
WF	=	Flat Washer
WS	=	Spring Washer
NH	=	Hexagon Nut
NF	=	Hexagon Flange Nut
NC	=	Hexagon Cap Nut
NS	=	Square Nut
NW	=	Wing Nut



(Note) Second character is numerical except the list.
 Ex: S1,S2,B3 etc.

And abbreviations and names are shown under the illustration.



HE, GENERAL, KOREA,HSP

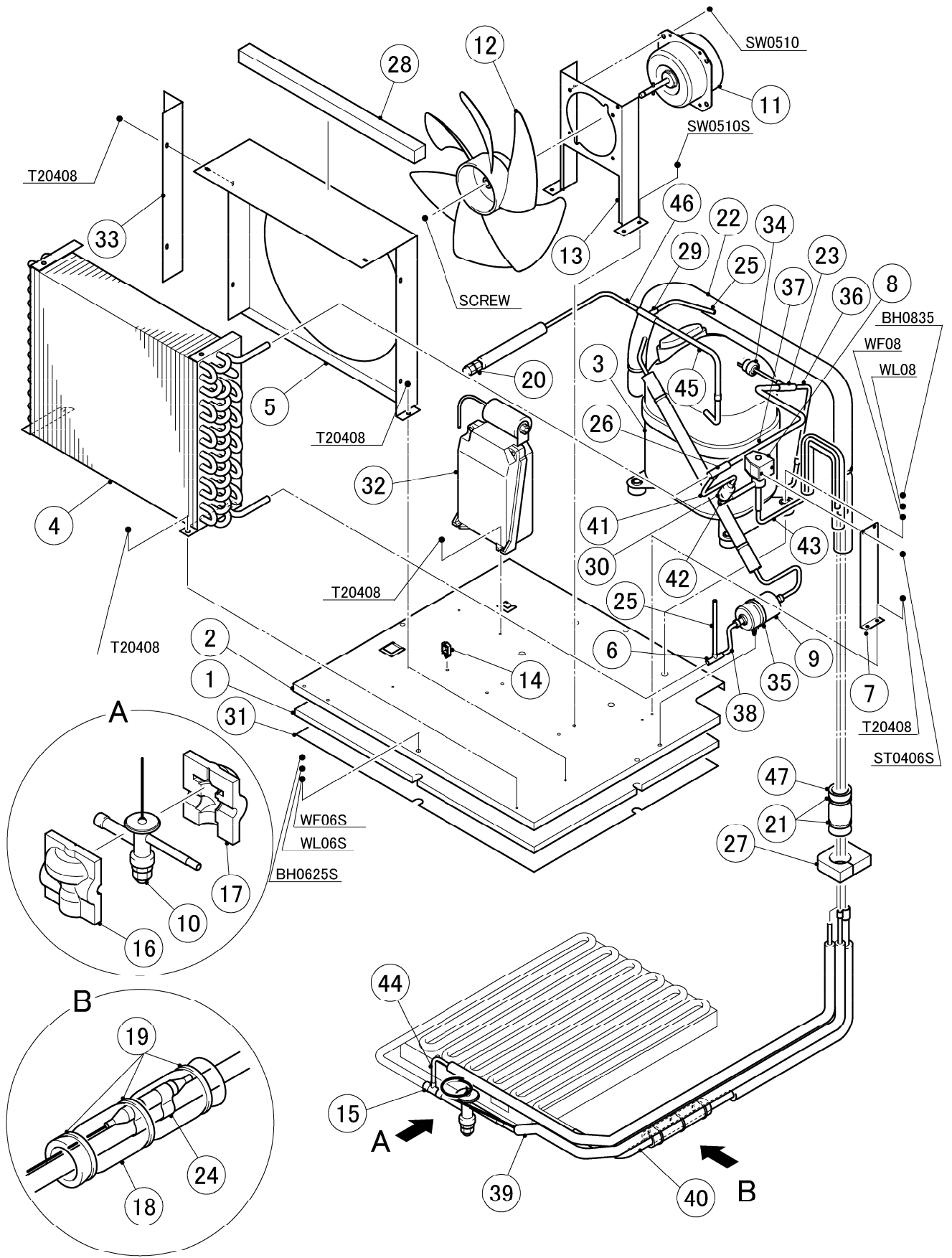
MODEL : IM-240AME, IM-240AME-23,-21				TITLE : A. ICE CUBER ASSY			
INDEX NO.	DESCRIPTION	MATERIAL OR MODEL NUMBER	PART NUMBER	REQ'D NUMBER			
				B-0	B-1 C-0	C-1 D-0	D-1 E-0
B	REFRIGERATION ASSY	-	1H2657A01	1	1	1	1
		-	1H3440A01				
C	ICE MAKING MECHANISM ASSY	(240AME)	2H1068A06	1	1	1	1
		(240AME-23,-21)	-	1	1	1	1
D	WATER CIRCUIT ASSY	-	2H5605A01	1	1	1	1
E	CONTROL BOX ASSY	-	2H5606A01	1	1	1	-
			2H5606A03				1
			2H6764A01				
			2H7614A01				
F	BIN CONTROL SWITCH ASSY		316220A04	1	1	1	1
G	LABEL LOCATION	(240AME)	3X6479A01	1	1	1	1
			3X6479A02				
		(240AME-23,-21)	-	1	1	1	1
1	UNIT FRAME	G.S	1H2656G01	1	1	1	1
		G.S	1H2656G03				
2	BRACKET - BIN CONTROL SWITCH	G.S	426266-01	1	1	1	1
3	POWER SUPPLY CORD (WITH UK PLUG)	(HE) (GENERAL)	452265-01	1	1	1	1
	POWER SUPPLY CORD (CONTINENTAL)	(HE) (KOREA)	452264-01	1	1	1	1
	POWER SUPPLY CORD (AUSTRALIA)	(HSP)	458139-01				
4	BUSHING		450414-01	1	1	1	1
5	STOPPER	NBR (BLACK)	4H9296-01	1	1	1	1
6	AIR FILTER	ABS	332632G01	2	2	2	2
	AIR FILTER B	P.P	2A2063G01				
7	REAR PANEL	S.S	3X6465G01	1	1	1	1
8	SIDE PANEL (L)	S.S	3X6464G01	1	1	1	1
9	SIDE PANEL (R)	S.S	3X6463G01	1	1	1	1
10	TOP PANEL	S.S	2H5594-01	1	1	1	1
11	FRONT COVER		3X6466G01	1	1	1	1
			2H6799-01				
12	PLATE / FRONT	G.S.	4Y0257G01	1	1	1	1
13	BASE / BIN CONTROL SWITCH	G.S.	3X6456-01	1	1	1	1

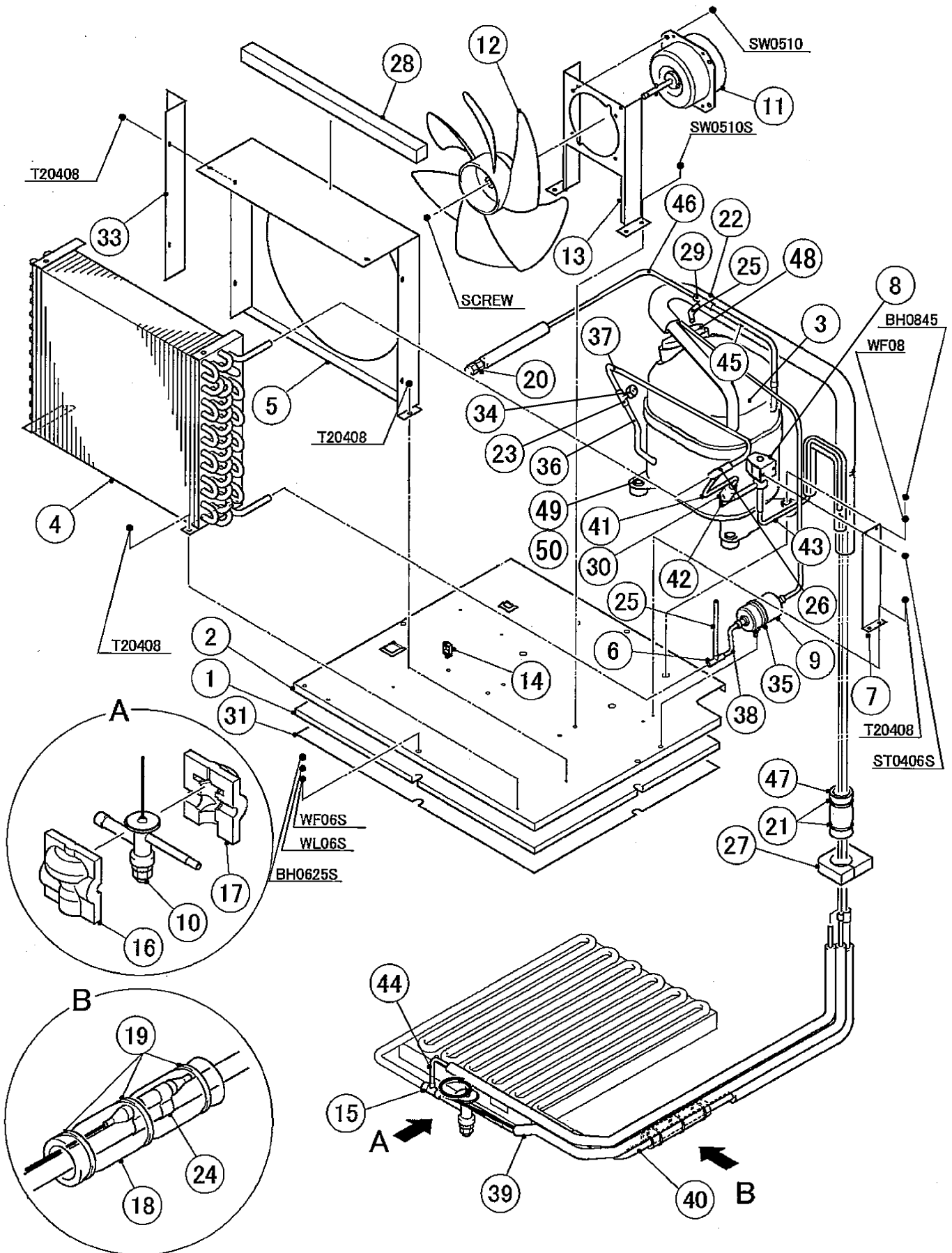
HE, GENERAL, KOREA,HSP,CHINA

MODEL : IM-240AME, IM-240AME-23,-21				TITLE : A. ICE CUBER ASSY			
INDEX NO.	DESCRIPTION	MATERIAL OR MODEL NUMBER	PART NUMBER	REQ'D NUMBER			
				E-1 F-0	F-1 G-0	G-1,H-0 U-0,U-1	U-2 V-0 L-0
B	REFRIGERATION ASSY	-	1H2657A01	1	-		
		-	1H3440A01		1	1	1
C	ICE MAKING MECHANISM ASSY	(240AME)	2H1068A06	1	1	1	1
		(240AME-23,-21)	-	1	1	1	1
D	WATER CIRCUIT ASSY	-	2H5605A01	1	1	1	1
E	CONTROL BOX ASSY	-	-				
			2H5606A03	-			
			2H6764A01	1	-		
			2H7614A01		1	1	1
F	BIN CONTROL SWITCH ASSY		316220A04	1	1	1	1
G	LABEL LOCATION	(240AME)	3X6479A01	-			
			3X6479A02	1	1	1	1
		(240AME-23,-21)	-	1	1	1	1
1	UNIT FRAME	G.S	1H2656G01	1	1	-	
		G.S	1H2656G03			1	1
2	BRACKET - BIN CONTROL SWITCH	G.S	426266-01	1	1	1	1
3	POWER SUPPLY CORD (WITH UK PLUG)	(HE) (GENERAL)	452265-01	1	1	×	
	POWER SUPPLY CORD (CONTINENTAL)	(HE) (KOREA)	452264-01	1	1	×	
	POWER SUPPLY CORD (AUSTRALIA)	(HSP)	458139-01		1	1	1
4	BUSHING	-	450414-01	1	1	×	
		(HSP)	450414-01		1	1	1
5	STOPPER	NBR (BLACK)	4H9296-01	×			
6	AIR FILTER	ABS	332632G01	-			
	AIR FILTER B	P.P	2A2063G01	2	2	2	2
7	REAR PANEL	S.S	3X6465G01	1	1	1	1
8	SIDE PANEL (L)	S.S	3X6464G01	1	1	1	1
9	SIDE PANEL (R)	S.S	3X6463G01	1	1	1	1
10	TOP PANEL	S.S	2H5594-01	1	1	1	1
11	FRONT COVER	-	3X6466G01	-			
			2H6799-01	1	1	1	1
12	PLATE / FRONT	G.S.	4Y0257G01	1	1	1	1

HE, GENERAL, KOREA,HSP,CHINA

MODEL : IM-240AME, IM-240AME-23,-21				TITLE : A. ICE CUBER ASSY			
INDEX NO.	DESCRIPTION	MATERIAL OR MODEL NUMBER	PART NUMBER	REQ'D NUMBER			
				E-1 F-0	F-1 G-0	G-1,H-0 U-0,U-1	U-2 V-0 L-0
13	BASE / BIN CONTROL SWITCH	G.S.	3X6456-01	1	1	1	1
14	WIRE SADDLE	-	428060-03	1	1	1	1
15	WIRE SADDLE	-	428060-02	1	1	1	1
16	POWER CORD (WITH UK PLUG)	(UK)	P00244-01			1	1
	POWER CORD	(CONTINENTAL)	P00243-01			1	1
	POWER CORD	(CHINA)	P02215-01				1
17	CONNECTOR	-	P00246-01			1	1
18	INSULATION - FRONT (A)		4Y0242-01	1	1	1	1
19	INSULATION - FRONT (B)		4Y0243-01	1	1	1	1
20	LOUBER (B)		1H0548-01	2	2	2	2
21	PUSH RETAINER		4A2414-01	6	6	6	6





HE, GENERAL, KOREA,HSP

MODEL : IM-240AME, IM-240AME-23,-21				TITLE : B. REFRIGERATION ASSY			
INDEX NO.	DESCRIPTION	MATERIAL OR MODEL NUMBER	PART NUMBER	REQ'D NUMBER			
				B-0	B-1 C-0	C-1 D-0	D-1 E-0
1	INSULATION / BASE	PE	4Y0248-01	1	1	1	1
2	BASE	G.S	2H5595G01	1	1	1	1
		G.S	2H7613G01				
3	COMPRESSOR	MS26TG-T	463138-01	1	1	1	1
		RS80C2E-CAZ-219	4A1581-01				
4	CONDENSER - AIR COOLED	-	2H3303-01	1	1	1	1
5	SHROUD	G.S	3X6455-01	1	1	1	1
6	TEE	COPPER	456655-01	1	1	1	1
7	BRACKET - HV	G.S	4Y0241-01	1	1	1	1
8	HOT GAS VALVE	ATS-7S10HD-1	418636-02	1	1	1	1
9	DRIER	DML032.5S	462965-01	1	1	1	1
10	EXPANSION VALVE	FSE-10NHD-2	454836-02	1	1	1	1
11	FAN MOTOR	4A121A1	453036-01	1	1	1	1
12	FAN BLADE	A-0145	453035-01	1	1	1	1
13	BRACKET / FM	G.S	3X6458-01	1	1	1	1
14	WIRE SADDLE	LWS-3NS	428060-02	1	1	1	1
15	TEE	COPPER	430608-02	1	1	1	1
16	COVER (A) - EXPANSION VALVE	PE	4H9239-01	1	1	1	1
17	COVER (B) - EXPANSION VALVE	PE	4H9239-02	1	1	1	1
18	INSULATION (FOR FOOD ZONE)	25 ID x 30 OD L=130	4X8643-01	1	1	1	1
19	TIE	CV-100	7920-0002	3	3	3	3
20	ACCESS VALVE	TCJ-2F15NHD-1	455119-01	1	1	1	1
21	TIE	CV-200	7920-0004	2	2	2	2
22	HEAT EXCHANGER	-	3X6487G01	1	1	1	1
23	TEE	COPPER	420041-02	1	1	1	1
24	CLIP	068N2531	452254-02	2	2	2	2
25	PROCESS TUBE	COPPER	4Y0273-01	2	2	2	2
26	TEE	COPPER	420041-05	1	1	1	1
27	INSULATION		4Y0306-01	1	1	1	1
28	INSULATION		4Y0307-01	1	1	1	1
29	TEE	COPPER	420041-03	1	1	1	1
30	STRAINER	COPPER	430365-01	1	1	1	1
31	PLATE / BASE	ABS	4Y0249-01	1	1	1	1

HE, GENERAL, KOREA,HSP,CHINA

MODEL : IM-240AME, IM-240AME-23,-21				TITLE : B. REFRIGERATION ASSY			
INDEX NO.	DESCRIPTION	MATERIAL OR MODEL NUMBER	PART NUMBER	REQ'D NUMBER			
				E-1 F-0	F-1 G-0	G-1,H-0 U-0,U-1	U-2 V-0 L-0
1	INSULATION / BASE	PE	4Y0248-01	1			
2	BASE	G.S	2H5595G01	1	—		
		G.S	2H7613G01		1	1	1
3	COMPRESSOR	MS26TG-T	463138-01	1	—		
		RS80C2E-CAZ-219	4A1581-01		1	1	1
4	CONDENSER - AIR COOLED	-	2H3303-01	1	1	1	1
5	SHROUD	G.S	3X6455-01	1	1	1	1
6	TEE	COPPER	456655-01	1	1	1	1
7	BRACKET - HV	G.S	4Y0241-01	1	1	1	1
8	HOT GAS VALVE	ATS-7S10HD-1	418636-02	1	1	1	1
9	DRIER	DML032.5S	462965-01	1	1	1	1
10	EXPANSION VALVE	FSE-10NHD-2	454836-02	1	1	1	1
11	FAN MOTOR	4A121A1	453036-01	1	1	1	1
12	FAN BLADE	A-0145	453035-01	1	1	1	1
13	BRACKET / FM	G.S	3X6458-01	1	1	1	1
14	WIRE SADDLE	LWS-3NS	428060-02	1	1	1	1
15	TEE	COPPER	430608-02	1	1	1	1
16	COVER (A) - EXPANSION VALVE	PE	4H9239-01	1	1	1	1
17	COVER (B) - EXPANSION VALVE	PE	4H9239-02	1	1	1	1
18	INSULATION (FOR FOOD ZONE)	25 ID x 30 OD L=130	4X8643-01	1	1	1	1
19	TIE	CV-100	7920-0002	3	3	3	3
20	ACCESS VALVE	TCJ-2F15NHD-1	455119-01	1	1	1	1
21	TIE	CV-200	7920-0004	2	2	2	2
22	HEAT EXCHANGER	-	3X6487G01	1	—		
		-	3Y1304G01		1	1	1
23	TEE	COPPER	420041-02	1	1	1	1
24	CLIP	068N2531	452254-02	2	2	2	2
25	PROCESS TUBE	COPPER	4Y0273-01	2	2	2	2
26	TEE	COPPER	420041-05	1	1	1	1
27	INSULATION		4Y0306-01	1	1	1	1
28	INSULATION		4Y0307-01	1	1	1	1
29	TEE	COPPER	420041-03	1	1	1	1
30	STRAINER	COPPER	430365-01	1	1	1	1

HE, GENERAL, KOREA,HSP

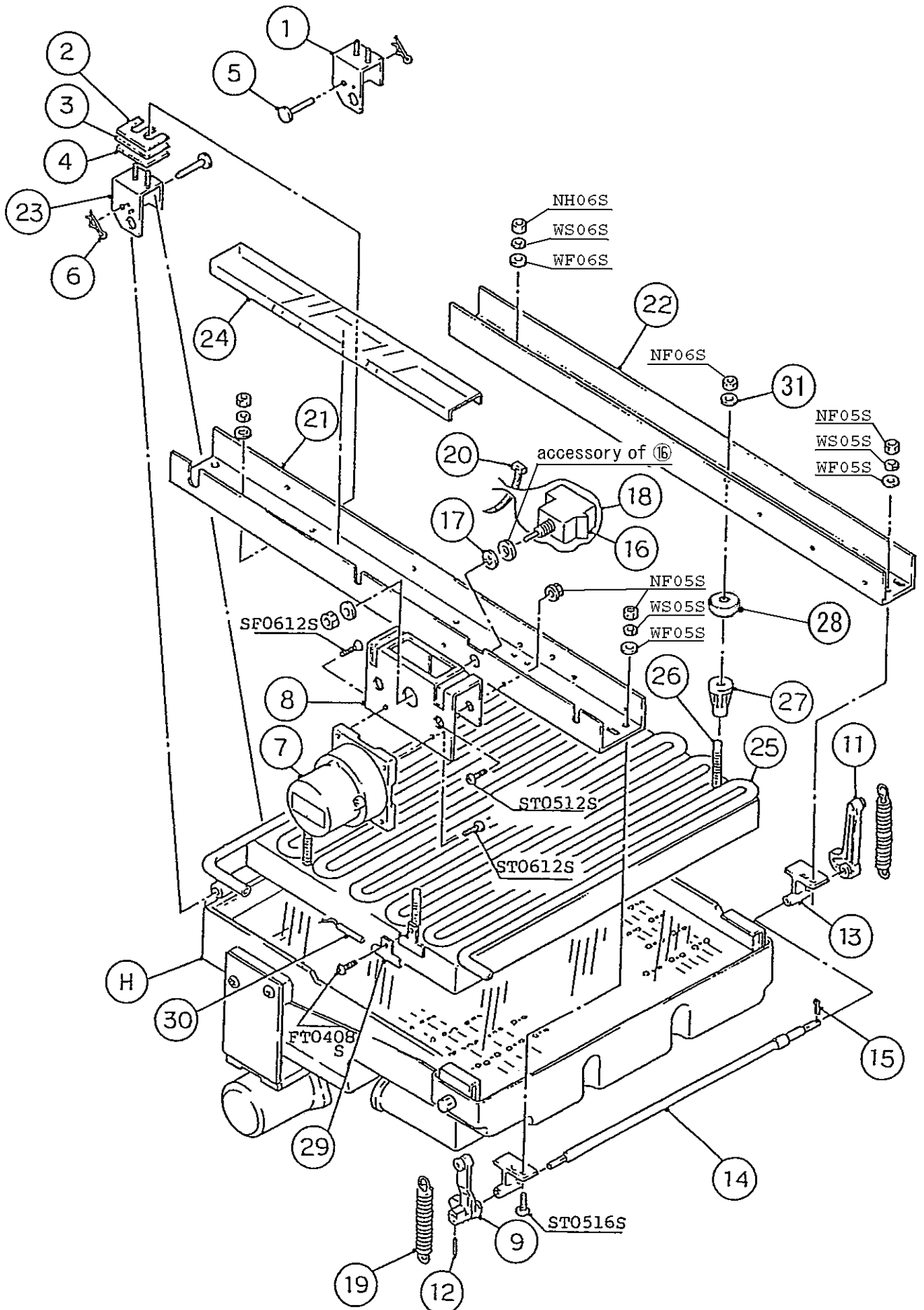
MODEL : IM-240AME, IM-240AME-23,-21				TITLE : B. REFRIGERATION ASSY			
INDEX NO.	DESCRIPTION	MATERIAL OR MODEL NUMBER	PART NUMBER	REQ'D NUMBER			
				B-0	B-1 C-0	C-1 D-0	D-1 E-0
22	POWER CORD (WITH UK PLUG)	(UK)	P00244-01	1	1	1	1
	POWER CORD	(CONTINENTAL)	P00243-01	1	1	1	1
23	CONNECTOR	-	P00246-01	1	1	1	1
35	TIE	T50RSF	436156-02	1	1	1	1
36	COPPER TUBE (A) - HIGH SIDE	COPPER	4Y0265-01	1	1	1	1
		COPPER	4Y3671-01				
37	COPPER TUBE (B) - HIGH SIDE	COPPER	4Y0266-01	1	1	1	1
		COPPER	4Y3672-01				
38	COPPER TUBE (C) - HIGH SIDE	COPPER	4Y0267-01	1	1	1	1
39	COPPER TUBE (E) - HIGH SIDE	COPPER	3X6483G01	1	1	1	1
40	COPPER TUBE (A) - LOW SIDE	COPPER	3X6484G01	1	1	1	1
41	COPPER TUBE (A) - HOT GAS	COPPER	4Y0268-01	1	1	1	1
42	COPPER TUBE (B) - HOT GAS	COPPER	460269-01	1	1	1	1
43	COPPER TUBE (C) - HOT GAS	COPPER	4Y0270G01	1	1	1	1
44	COPPER TUBE (D) - HOT GAS	COPPER	3X6486G01	1	1	1	1
45	PROCESS TUBE (A)	COPPER	4Y0271-01	1	1	1	1
		COPPER	4Y3673-01				
46	PROCESS TUBE (B)	COPPER	4Y1834G01	1	1	1	1
		COPPER	4Y3674G01				
47	INSULATION TUBE	L=80	7762-2636	1	1	1	1

HE, GENERAL, KOREA,HSP,CHINA

MODEL : IM-240AME, IM-240AME-23,-21				TITLE : B. REFRIGERATION ASSY			
INDEX NO.	DESCRIPTION	MATERIAL OR MODEL NUMBER	PART NUMBER	REQ'D NUMBER			
				E-1 F-0	F-1 G-0	G-1,H-0 U-0,U-1	U-2 V-0 L-0
31	PLATE / BASE	ABS	4Y0249-01	1	1	1	1
32	TERMINAL BOX	-	463142-01	1	×		
33	AIR GUARD	G.S.	4Y0256-01	1	1	1	1
34	PRESSURE SWITCH	SEP-P320HHD-1	459868-03	1	1	1	1
35	TIE	T50RSF	436156-02	1	1	1	1
36	COPPER TUBE (A) - HIGH SIDE	COPPER	4Y0265-01	1	—		
		COPPER	4Y3671-01		1	1	1
37	COPPER TUBE (B) - HIGH SIDE	COPPER	4Y0266-01	1	—		
		COPPER	4Y3672-01		1	1	1
38	COPPER TUBE (C) - HIGH SIDE	COPPER	4Y0267-01	1	1	1	1
39	COPPER TUBE (E) - HIGH SIDE	COPPER	3X6483G01	1	1	1	1
40	COPPER TUBE (A) - LOW SIDE	COPPER	3X6484G01	1	1	1	1
41	COPPER TUBE (A) - HOT GAS	COPPER	4Y0268-01	1	1	1	1
42	COPPER TUBE (B) - HOT GAS	COPPER	460269-01	1	1	1	1
43	COPPER TUBE (C) - HOT GAS	COPPER	4Y0270G01	1	1	1	1
44	COPPER TUBE (D) - HOT GAS	COPPER	3X6486G01	1	1	1	1
45	PROCESS TUBE (A)	COPPER	4Y0271-01	1	—		
		COPPER	4Y3673-01		1	1	1
46	PROCESS TUBE (B)	COPPER	4Y1834G01	1	—		
		COPPER	4Y3674G01		1	1	1
47	INSULATION TUBE	L=80	7762-2636	1	1	1	1
48	MOTOR PROTECTOR	071-0518-07	4A1581F01		1	1	1
49	GROMMET	-	434922-02		4	4	4
50	SPACER	-	434921-01		4	4	4

IM-240AME,-23,-21 C. ICE MAKING MECHANISM ASSY

(D-0)(D-1)(E-0)(E-1) and later
(B-0)(B-1)(C-0)(C-1)



HE, GENERAL, KOREA,HSP

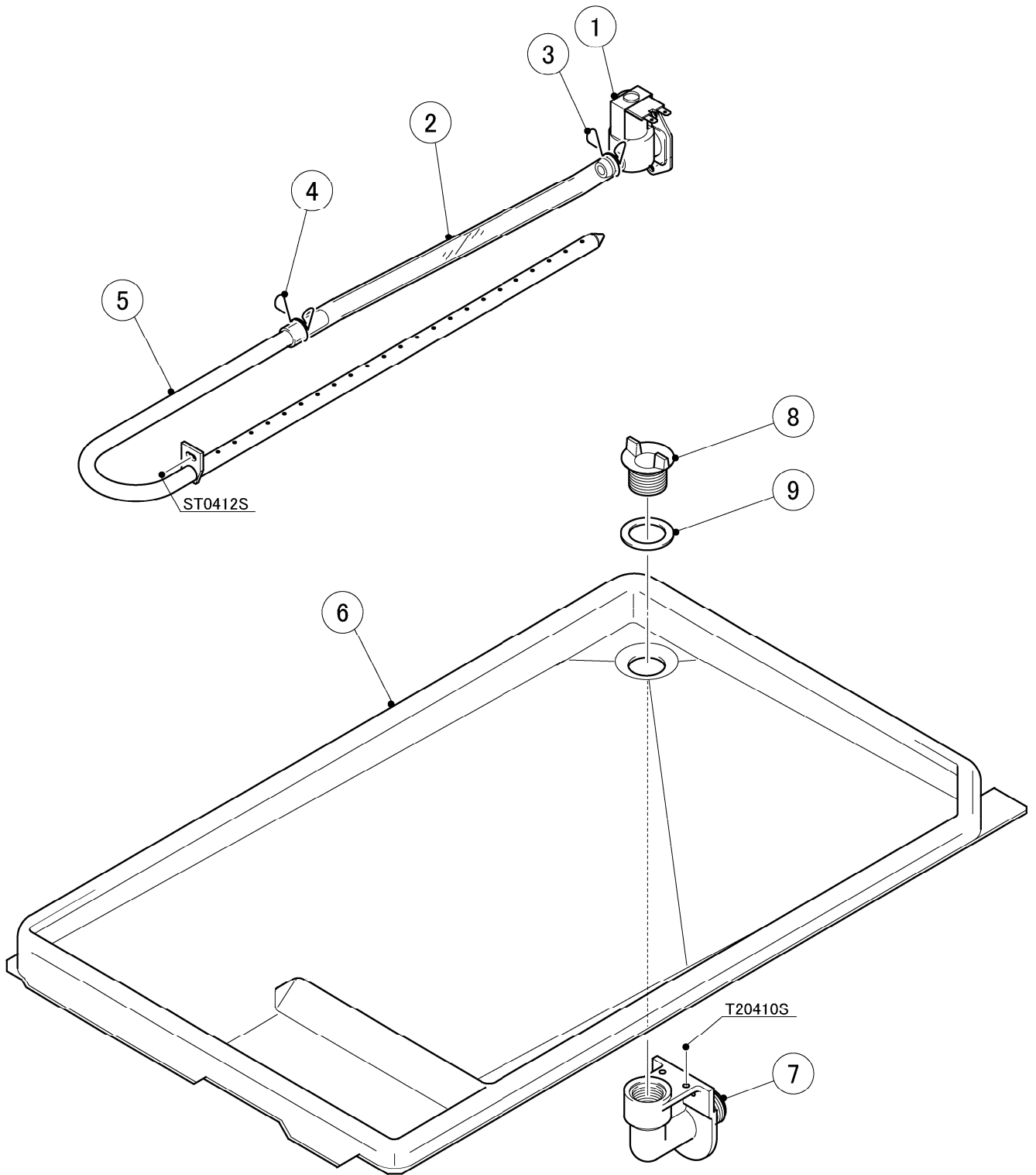
MODEL : IM-240AME, IM-240AME-23,-21				TITLE : C. ICE MAKING MECHANISM ASSY			
INDEX NO.	DESCRIPTION	MATERIAL OR MODEL NUMBER	PART NUMBER	REQ'D NUMBER			
				B-0	B-1 C-0	C-1 D-0	D-1 E-0
H	WATER PAN ASSY (S-0437)	(240AME-21)	103108A05	1	1	1	1
	WATER PAN ASSY (S-9129)	(240AME, -23)	103108A19	1	1	1	1
1	BEARING PLATE	S.S	3H1440G02	1	1	1	1
2	SHIM (A) - EVAPORATOR	S.S	4H2691-01	REQ'D	REQ'D	REQ'D	REQ'D
3	SHIM (B) - EVAPORATOR	S.S	4H2691-02	REQ'D	REQ'D	REQ'D	REQ'D
4	SHIM (C) - EVAPORATOR	S.S	4H2691-03	REQ'D	REQ'D	REQ'D	REQ'D
5	SHAFT (B)	S.S	4H1184-02	2	2	2	2
6	SNAP PIN	S.S, No. 6	715S-0006	2	2	2	2
7	ACTUATOR MOTOR	SR65A41-13	452499-01	1	1	1	1
8	BRACKET - ACTUATOR MOTOR	TC-0530	3H2241-01	1	1	1	1
9	CAM (A)	POM	303881A02	1	1	1	1
10	-						
11	CAM (B)	AC	315775-01	1	1	1	1
12	SPRING PIN	S.S, 3x28	712S-0328	1	1	1	1
13	BEARING-CAM SHAFT	POM	3X8307-01	2	2	2	2
14	CAM SHAFT	S.S	425511G01	1	1	1	1
15	SNAP PIN	S.S, 2x12	711S-0212	1	1	1	1
16	TOGGLE SWITCH	VAT4-71	431977-01	1	1	1	1
17	WASHER - TOGGLE SWITCH	S.S	406196-01	1	1	1	1
18	COVER - THERMISTOR	PE	408163-01	1	1	1	1
19	SPRING	S.S	4H3473-01	2	2	2	2
20	TIE	CV-70	7920-0001	1	1	1	1
21	FRAME - FRONT	(240AME-23)	2H5596-01	1	1	1	1
22	FRAME - REAR	G.S	3X6457-01	1	1	1	1
23	BEARING PLATE	S.S	3H1440G01	1	1	1	1
24	GUIDE - CONNECTOR	PVC	4H5619-01	1	1	1	1
25	EVAPORATOR (S-0857)	(240AME)	208206G02	1	1	1	1
	EVAPORATOR (S-0859)	(240AME-23)	2H1833G02	1	1	1	1
	EVAPORATOR (S-0858)	(240AME-21)	208205G02	1	1	1	1
26	BOLT - EVAPORATOR MOUNTING	(240AME)	4H2678-01	4	4	4	4
	BOLT - EVAPORATOR MOUNTING	(240AME-23,-21)	4H2886-01	4	4	4	4
27	COLLAR		3H3879-01	4	4	4	4
28	WASHER	(240AME-23)	4H1365-05	4	4	4	4
		(240AME-21)	4H1365-06	4	4	4	4

HE, GENERAL, KOREA,HSP,CHINA

MODEL : IM-240AME, IM-240AME-23,-21				TITLE : C. ICE MAKING MECHANISM ASSY			
INDEX NO.	DESCRIPTION	MATERIAL OR MODEL NUMBER	PART NUMBER	REQ'D NUMBER			
				E-1 F-0	F-1 G-0	G-1,H-0 U-0,U-1	U-2 V-0 L-0
H	WATER PAN ASSY (S-0437)	(240AME-21)	103108A05	1	1	1	1
	WATER PAN ASSY (S-9129)	(240AME, -23)	103108A19	1	1	1	1
1	BEARING PLATE	S.S	3H1440G02	1	1	1	1
2	SHIM (A) - EVAPORATOR	S.S	4H2691-01	REQ'D	REQ'D	REQ'D	REQ'D
3	SHIM (B) - EVAPORATOR	S.S	4H2691-02	REQ'D	REQ'D	REQ'D	REQ'D
4	SHIM (C) - EVAPORATOR	S.S	4H2691-03	REQ'D	REQ'D	REQ'D	REQ'D
5	SHAFT (B)	S.S	4H1184-02	2	2	2	2
6	SNAP PIN	S.S, No. 6	715S-0006	2	2	2	2
7	ACTUATOR MOTOR	SR65A41-13	452499-01	1	1	1	1
8	BRACKET - ACTUATOR MOTOR	TC-0530	3H2241-01	1	1	1	1
9	CAM (A)	POM	303881A02	1	1	1	1
10	-						
11	CAM (B)	AC	315775-01	1	1	1	1
12	SPRING PIN	S.S, 3x28	712S-0328	1	1	1	1
13	BEARING-CAM SHAFT	POM	3X8307-01	2	2	2	2
14	CAM SHAFT	S.S	425511G01	1	1	1	1
15	SNAP PIN	S.S, 2x12	711S-0212	1	1	1	1
16	TOGGLE SWITCH	VAT4-71	431977-01	1	1	1	1
17	WASHER - TOGGLE SWITCH	S.S	406196-01	1	1	1	1
18	COVER - THERMISTOR	PE	408163-01	1	1	1	1
19	SPRING	S.S	4H3473-01	2	2	2	2
20	TIE	CV-70	7920-0001	1	1	1	1
21	FRAME - FRONT	(240AME-23)	2H5596-01	1	1	1	1
22	FRAME - REAR	G.S	3X6457-01	1	1	1	1
23	BEARING PLATE	S.S	3H1440G01	1	1	1	1
24	GUIDE - CONNECTOR	PVC	4H5619-01	1	1	1	1
25	EVAPORATOR (S-0857)	(240AME)	208206G02	1	1	1	1
	EVAPORATOR (S-0859)	(240AME-23)	2H1833G02	1	1	1	1
	EVAPORATOR (S-0858)	(240AME-21)	208205G02	1	1	1	1
26	BOLT - EVAPORATOR MOUNTING	(240AME)	4H2678-01	4	4	×4	
	SCREW EVAPORATOR		4Y4922M02			○4	4
	BOLT - EVAPORATOR MOUNTING	(240AME-23,-21)	4H2886-01	4	4	×4	
	SCREW EVAPORATOR		4Y4922M03			○4	4
27	COLLAR		3H3879-01	4	4	4	4

HE, GENERAL, KOREA,HSP,CHINA

MODEL : IM-240AME, IM-240AME-23,-21				TITLE : C. ICE MAKING MECHANISM ASSY			
INDEX NO.	DESCRIPTION	MATERIAL OR MODEL NUMBER	PART NUMBER	REQ'D NUMBER			
				E-1 F-0	F-1 G-0	G-1,H-0 U-0,U-1	U-2 V-0 L-0
28	WASHER	(240AME-23)	4H1365-05	4	4	4	4
		(240AME-21)	4H1365-06	4	4	4	4
29	HOLDER - THERMISTOR	PE	3H9642-01	1	1	1	1
30	THERMISTOR-CUBE CONTROL	-	462976-01	1	1	1	1
31	WASHER	AC	4H0777-01	4	4	4	4



HE, GENERAL, KOREA,HSP

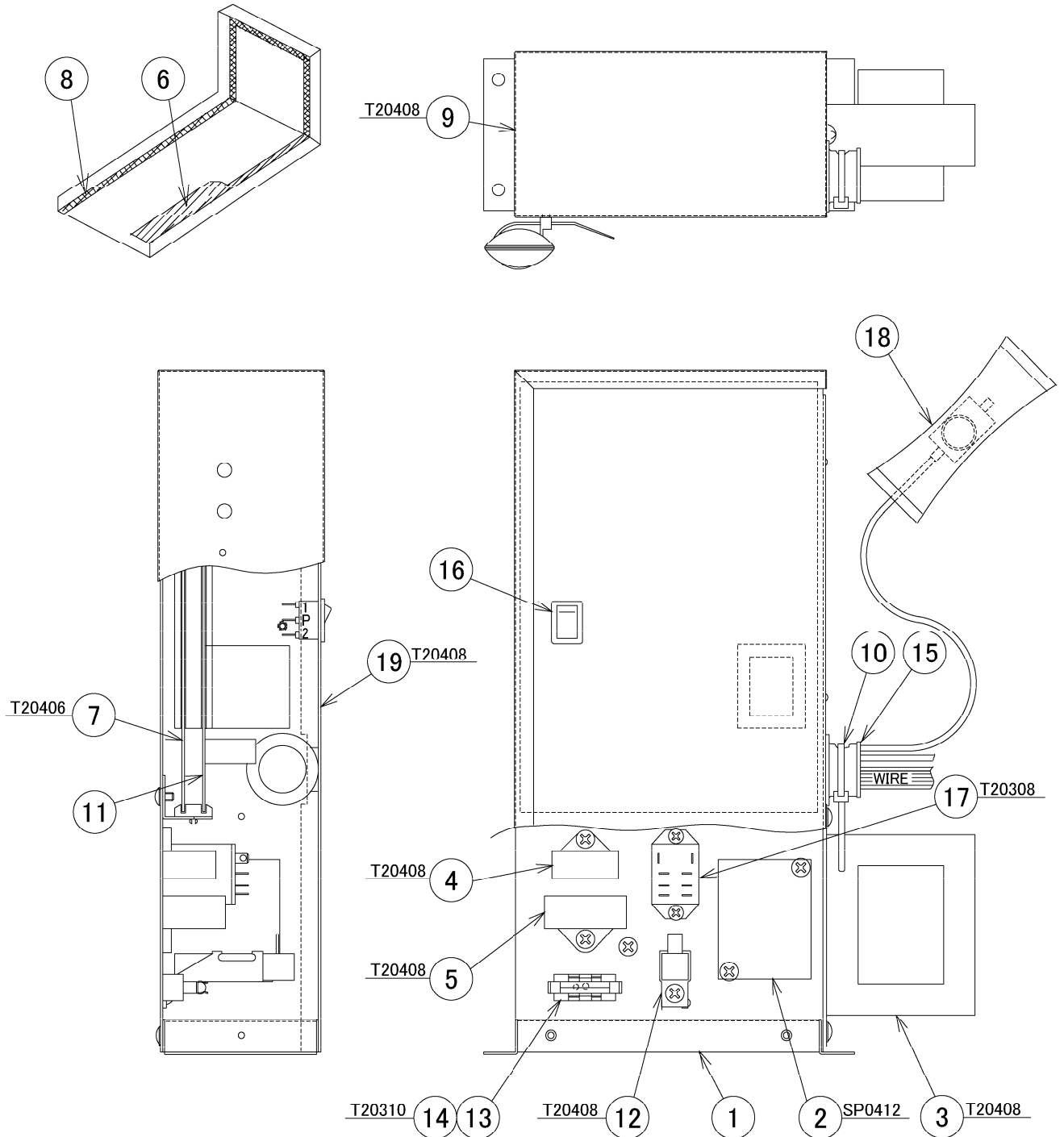
**MODEL : IM-240AME,
IM-240AME-23,-21**

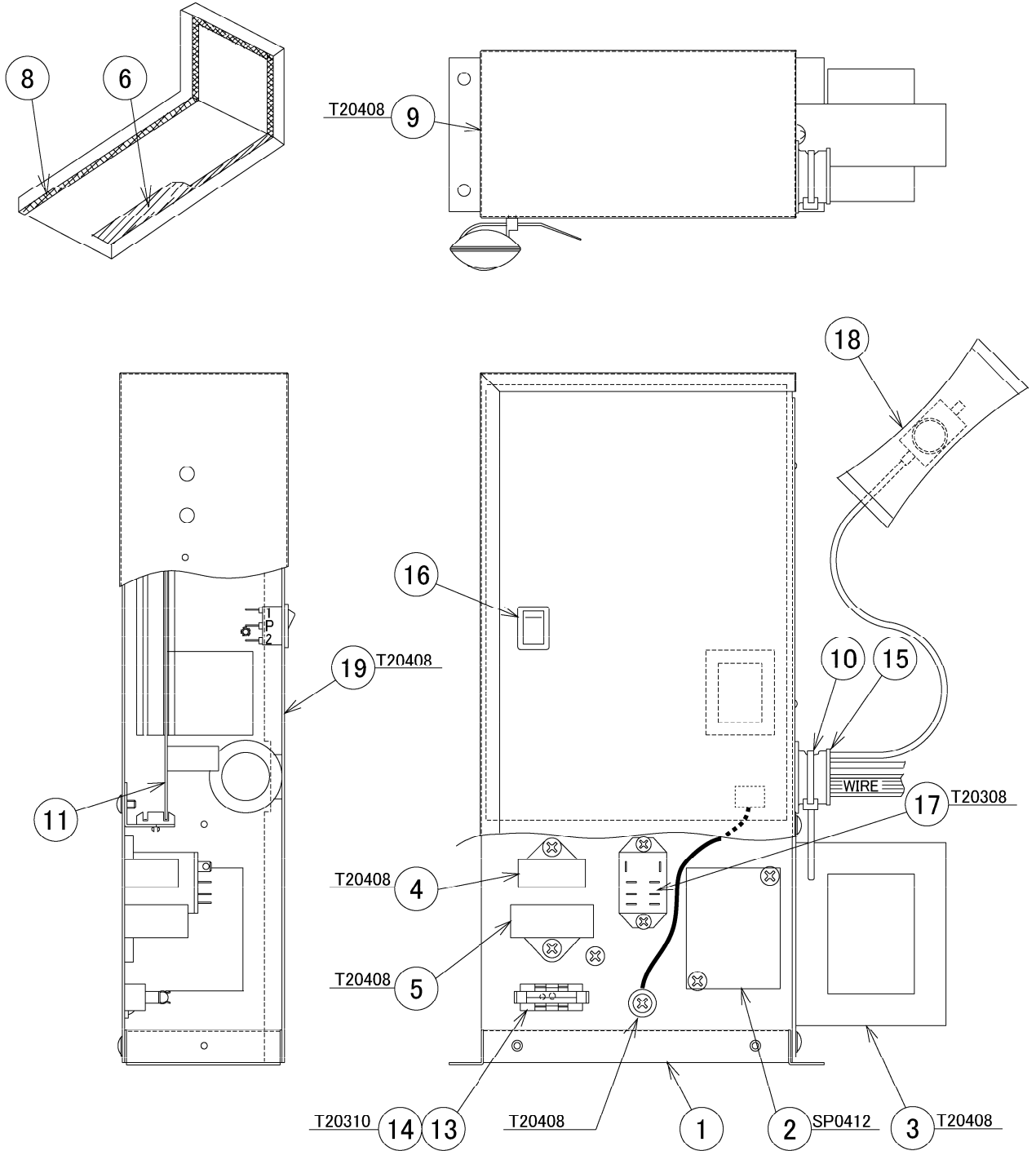
TITLE : D. WATER CIRCUIT ASSY

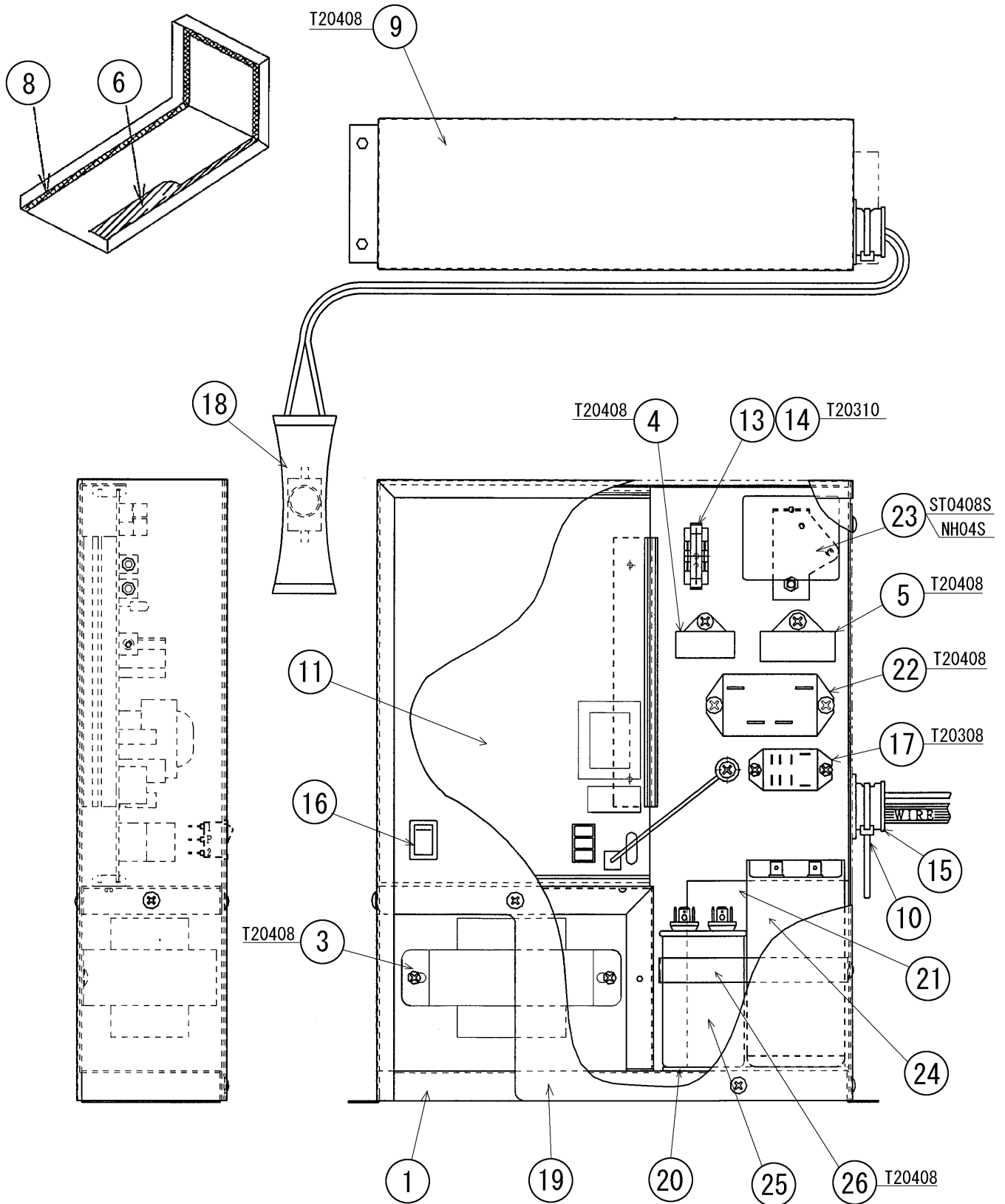
INDEX NO.	DESCRIPTION	MATERIAL OR MODEL NUMBER	PART NUMBER	REQ'D NUMBER			
				B-0	B-1 C-0	C-1 D-0	D-1 E-0
1	WATER VALVE	EATON, V18 3.8 lit./min.	452138-01	1	1	1	1
2	SILICONE HOSE	WRC NO. 9208526 L=330	2H5605-03	1	1	1	1
3	CLAMP	SK-15	435934-03	1	1	1	1
4	CLAMP	SK-14	433909-01	1	1	1	1
5	WATER SUPPLY PIPE	ABS	3H9533G01	1	1	1	1
6	DRAIN PAN	ABS	3X6460-01	1	1	1	1
7	DRAIN PIPE		315825-01	1	1	1	1
8	DRAIN PIPE COLLAR		418296-01	1	1	1	1
9	RUBBER PACKING (B)		413857-01	1	1	1	1

HE, GENERAL, KOREA, HSP, CHINA

MODEL : IM-240AME, IM-240AME-23,-21			TITLE : D. WATER CIRCUIT ASSY				
INDEX NO.	DESCRIPTION	MATERIAL OR MODEL NUMBER	PART NUMBER	REQ'D NUMBER			
				E-1 F-0	F-1 G-0	G-1,H-0 U-0,U-1	U-2 V-0 L-0
1	WATER VALVE	EATON, V18 3.8 lit./min.	452138-01	1	1	1	1
2	SILICONE HOSE	WRC NO. 9208526 L=330	2H5605-03	1	1	1	1
3	CLAMP	SK-15	435934-03	1	1	1	1
4	CLAMP	SK-14	433909-01	1	1	1	1
5	WATER SUPPLY PIPE	ABS	3H9533G01	1	1	1	1
6	DRAIN PAN	ABS	3X6460-01	1	1	1	1
7	DRAIN PIPE		315825-01	1	1	1	1
8	DRAIN PIPE COLLAR		418296-01	1	1	1	1
9	RUBBER PACKING (B)		413857-01	1	1	1	1







HE, GENERAL, KOREA,HSP

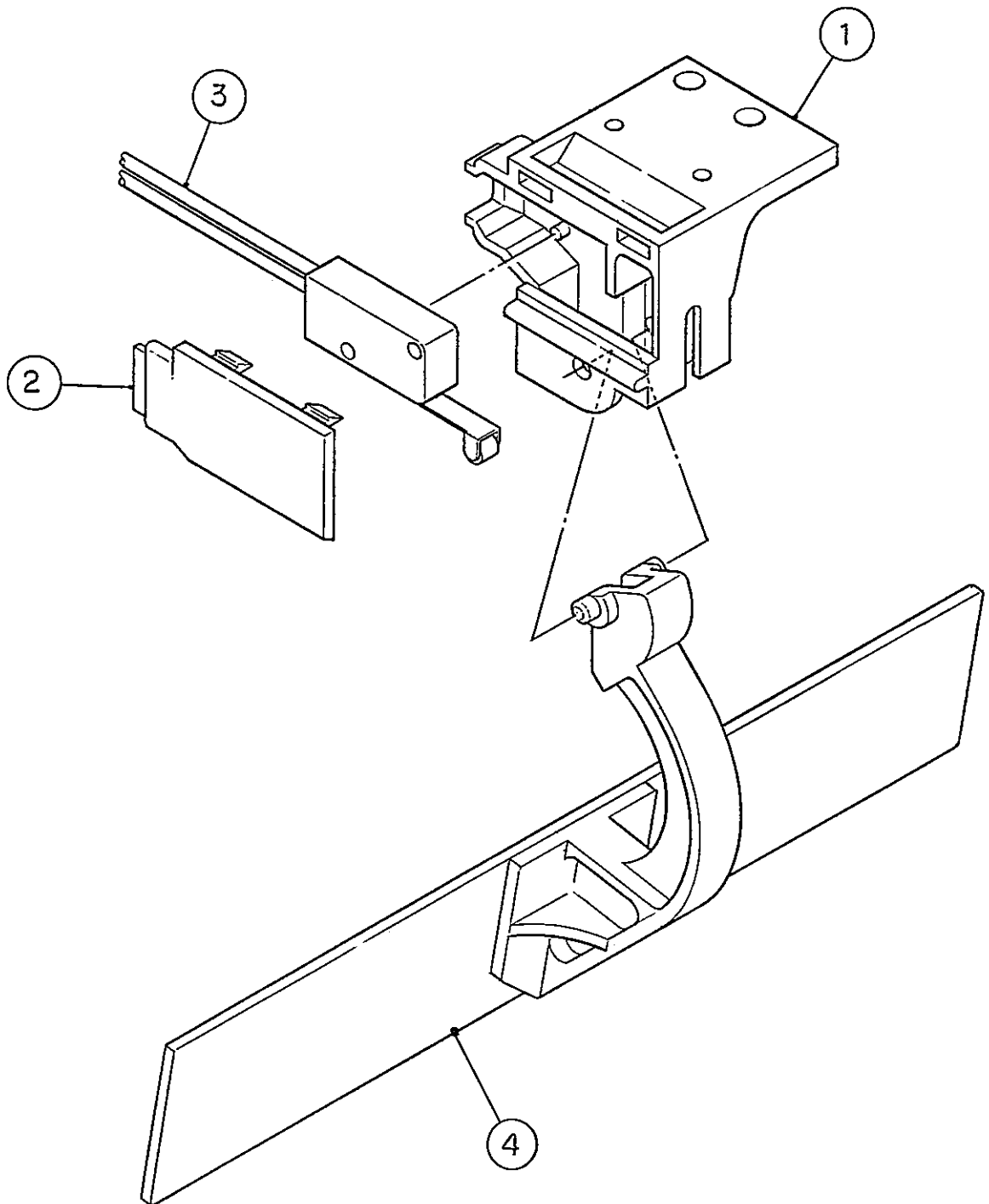
MODEL : IM-240AME, IM-240AME-23,-21				TITLE : E. CONTROL BOX ASSY			
INDEX NO.	DESCRIPTION	MATERIAL OR MODEL NUMBER	PART NUMBER	REQ'D NUMBER			
				B-0	B-1 C-0	C-1 D-0	D-1 E-0
1	CONTROL BOX	G.S	-	1	1	1	-
			3X6489G03				1
			3Y1307G01				
2	MAGNETIC CONTACTOR	LC1K12016K7	461944-01	1	1	1	1
3	TRANSFORMER	S36809	450104-01	1	1	1	1
4	CAPACITOR - ACTUATOR MOTOR	0.8 uF	456262-01	1	1	1	1
5	CAPACITOR - PUMP MOTOR	4.0 uF	456920-02	1	1	1	1
6	CUSHION	-	4H2718-01	1	1	1	1
7	SHIELD PLATE	G.S	4H2594-01	1	1	1	1
8	SEAL TAPE	W12 x t3.0	2H3965-16	1	1	1	1
		W12 x t3.0	2H7614-16				
9	CONTROL BOX COVER	G.S	3X6454-01	1	1	1	1
		G.S	3Y1309-01				
10	NYLON TIE	PRT1.5S	427466-01	1	1	1	1
11	CONTROLLER BOARD	H2AA136C03	436572-03	1	1	1	1
		H2AE024C18	462975-18				
12	SURGE ABSORBER	DSAR3FV-362M-10JLK	436573-02	1	1	1	1
13	FUSE	218005	451924-01	1	1	1	1
14	FUSE HOLDER	445710	451925-01	1	1	1	-
		CFH15	4Y2547-01				1
15	GROMMET	NBR	4H2568-01	1	1	1	1
16	ROCKER SWITCH	H8600VB	460681-01	1	1	1	1
17	RELAY	LY2ZF	406132-04	1	1	1	1
18	BIMETAL THERMOSTAT	ST-3L	452761-01	1	1	1	1
19	CONTROL BOX (R)	G.S.	3X6453-01	1	1	1	1
		G.S.	3Y1308-01				

HE, GENERAL, KOREA,HSP,CHINA

MODEL : IM-240AME, IM-240AME-23,-21				TITLE : E. CONTROL BOX ASSY			
INDEX NO.	DESCRIPTION	MATERIAL OR MODEL NUMBER	PART NUMBER	REQ'D NUMBER			
				E-1 F-0	F-1 G-0	G-1,H-0 U-0,U-1	U-2 V-0 L-0
1	CONTROL BOX	G.S	-				
			3X6489G03	1	-		
			3Y1307G01		1	1	1
2	MAGNETIC CONTACTOR	LC1K12016K7	461944-01	1	×		
3	TRANSFORMER	S36809	450104-01	1	1	1	1
4	CAPACITOR - ACTUATOR MOTOR	0.8 uF	456262-01	1	1	1	1
5	CAPACITOR - PUMP MOTOR	4.0 uF	456920-02	1	1	1	1
6	CUSHION	-	4H2718-01	1	1	1	1
7	SHIELD PLATE	G.S	4H2594-01	×			
8	SEAL TAPE	W12 x t3.0	2H3965-16	1	-		
		W12 x t3.0	2H7614-16		1	1	1
9	CONTROL BOX COVER	G.S	3X6454-01	1	-		
		G.S	3Y1309-01		1	1	1
10	NYLON TIE	PRT1.5S	427466-01	1	1	1	1
11	CONTROLLER BOARD	H2AA136C03	436572-03	-			
		H2AE024C18	462975-18	1	1	1	1
12	SURGE ABSORBER	DSAR3FV-362M-10JLK	436573-02	×			
13	FUSE	218005	451924-01	1	1	1	1
14	FUSE HOLDER	-	-				
		CFH15	4Y2547-01	1	1	1	1
15	GROMMET	NBR	4H2568-01	1	1	1	1
16	ROCKER SWITCH	H8600VB	460681-01	1	1	1	1
17	RELAY	LY2ZF	406132-04	1	1	1	1
18	BIMETAL THERMOSTAT	ST-3L	452761-01	1	1	1	1
19	CONTROL BOX (R)	G.S.	3X6453-01	1	-		
		G.S.	3Y1308-01		1	1	1
20	COVER (A) - CAP	ABS	4X4779-01		2	2	2
21	COVER (B) - CAP	ABS	4X4779-02		1	1	1
22	POWER RELAY	G7L-1A-TUB	449000-01		1	1	1
23	STARTER 3ARR3CT10AS5	(HE) (HSP) (GENERAL 50Hz)	4A1107-02		1	1	1
	STARTER 3ARR3CT10V5	(KOREA) (GENERAL 60Hz)	4A1107-12		1	1	1

HE, GENERAL, KOREA,HSP,CHINA

MODEL : IM-240AME, IM-240AME-23,-21		TITLE : E. CONTROL BOX ASSY					
INDEX NO.	DESCRIPTION	MATERIAL OR MODEL NUMBER	PART NUMBER	REQ'D NUMBER			
				E-1 F-0	F-1 G-0	G-1,H-0 U-0,U-1	U-2 V-0 L-0
24	START CAPACITOR 3535B7C0064A250A5	(HE) (HSP) (GENERAL 50Hz)	3A0076-14		1	1	1
	START CAPACITOR 3530B6A0088A330A3	(KOREA) (GENERAL 60Hz)	3A0076-07		1	1	1
25	RUN CAPACITOR X386S (HG17)	(HE) (HSP) (GENERAL 50Hz)	4A1631-01		1	1	1
	RUN CAPACITOR X386S (HG08)	(KOREA) (GENERAL 60Hz)	439943-06		1	1	1
26	BRACKET - CAPACITOR	(HE)(HSP)(G50Hz)	4X4056-04		1	1	1
		(KOREA)(G60Hz)	4X4056-06		1	1	1

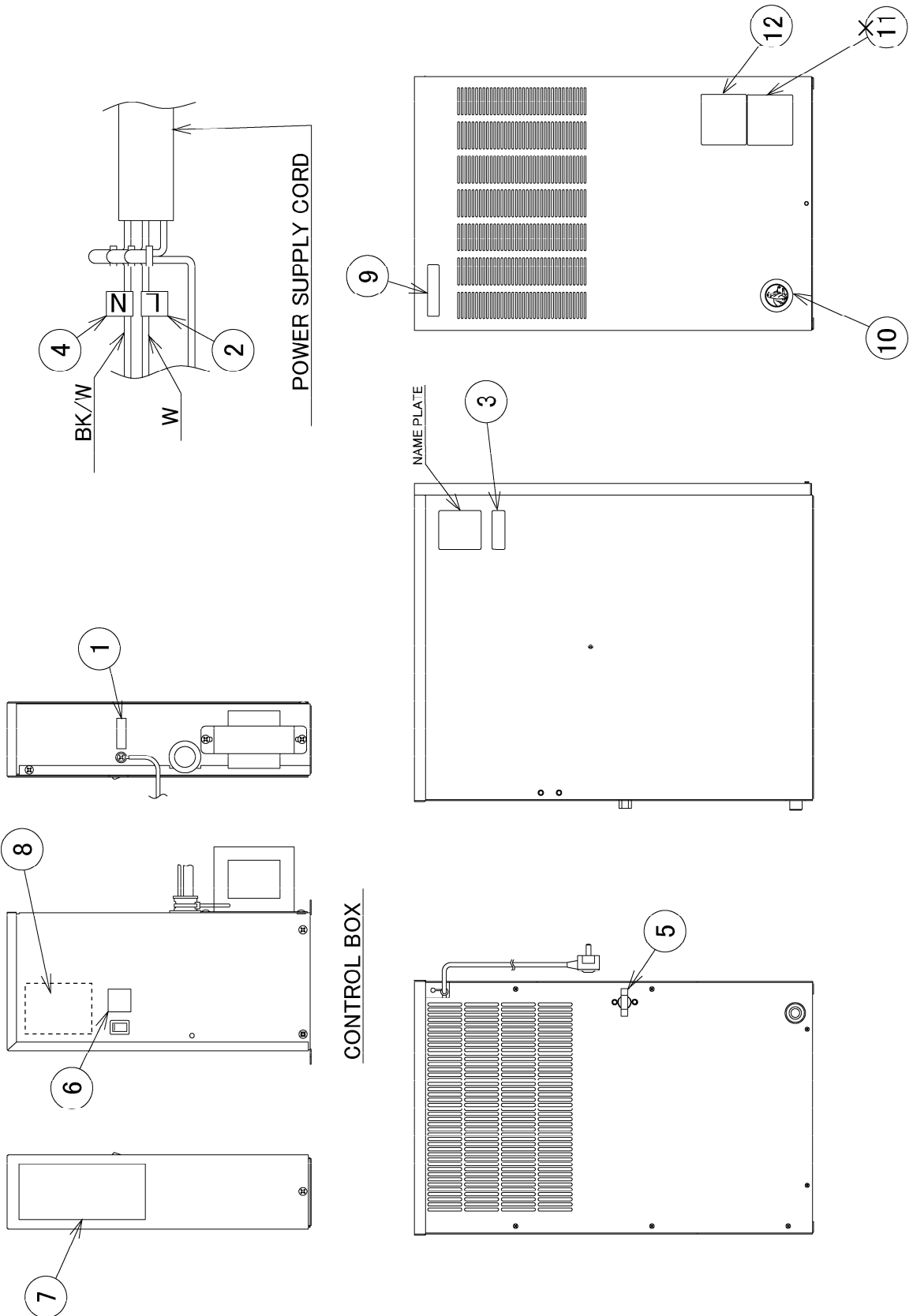


HE, GENERAL, KOREA, HSP

MODEL : IM-240AME, IM-240AME-23,-21				TITLE : F. BIN SWITCH ASSY			
INDEX NO.	DESCRIPTION	MATERIAL OR MODEL NUMBER	PART NUMBER	REQ'D NUMBER			
				B-0	B-1 C-0	C-1 D-0	D-1 E-0
1	SWITCH BOX	PC	2H2043-01	1	1	1	1
2	SWITCH BOX COVER	PC	4H8785-01	1	1	1	1
3	MICROSWITCH	ABV1636618F3	456432-01	1	1	1	1
4	SWITCH ACTUATOR	PC	316221G01	1	1	1	1

HE, GENERAL, KOREA,HSP,CHINA

MODEL : IM-240AME, IM-240AME-23,-21								TITLE : F. BIN SWITCH ASSY							
INDEX NO.	DESCRIPTION	MATERIAL OR MODEL NUMBER	PART NUMBER	REQ'D NUMBER											
				E-1 F-0	F-1 G-0	G-1,H-0 U-0,U-1	U-2 V-0 L-0								
1	SWITCH BOX	PC	2H2043-01	1	1	1	1								
2	SWITCH BOX COVER	PC	4H8785-01	1	1	1	1								
3	MICROSWITCH	ABV1636618F3	456432-01	1	1	1	1								
4	SWITCH ACTUATOR	PC	316221G01	1	1	1	1								

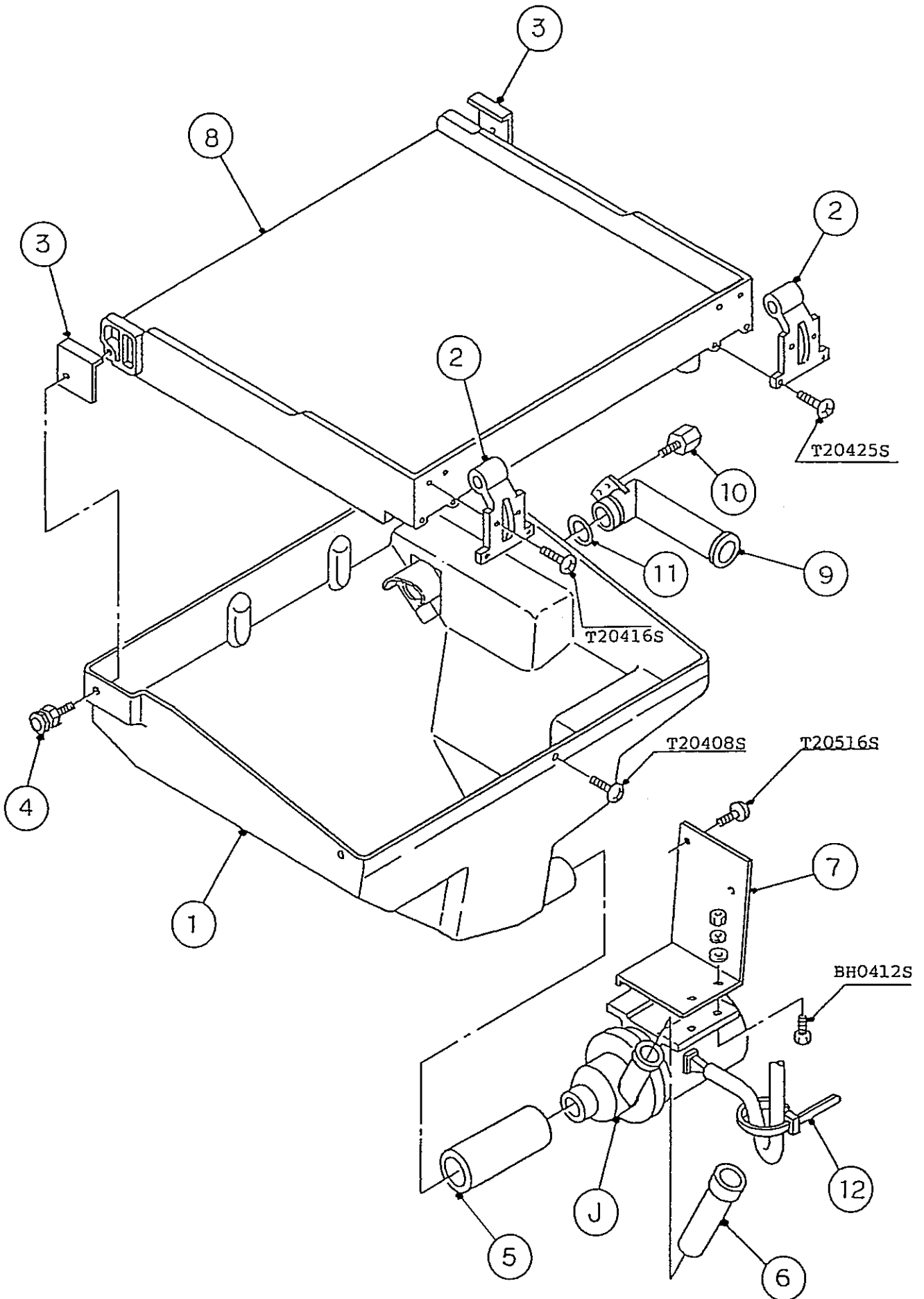


HE, GENERAL, KOREA,HSP

MODEL : IM-240AME, IM-240AME-23,-21				TITLE : G. LABEL LOCATION			
INDEX NO.	DESCRIPTION	MATERIAL OR MODEL NUMBER	PART NUMBER	REQ'D NUMBER			
				B-0	B-1 C-0	C-1 D-0	D-1 E-0
1	LABEL - GROUND	PVC FILM	451712-01	1	1	1	1
2	LABEL - TERMINAL	PAPER	452379-03	1	1	1	1
3	-						
4	LABEL - TERMINAL	PAPER	452379-04	1	1	1	1
5	CAUTION LABEL	PVC FILM	452552-01	1	1	1	1
6	LABEL - SWITCH	PVC FILM	454374-01	1	1	1	1
7	CONTROL LABEL	-	340941-01	1	1	1	1
		KOREA	463007-01	1	1	1	1
8	LABEL-CONTROLLER BOARD	PAPER	467627-01				
9	EMBLEM-HE	PSE FILM	356509-01	1	1	1	1
10	LABEL-PENGUIN	PSE FILM	454387-01	1	1	1	1
11	MAINTENANCE-LABEL	(TAIWAN) (HE)	455837-01	1	1	1	1
	CAUTION LABEL	(KOREA)	463589-01	1	1	1	1
12	CAUTION LABEL	(KOREA)	463590-01	1	1	1	1

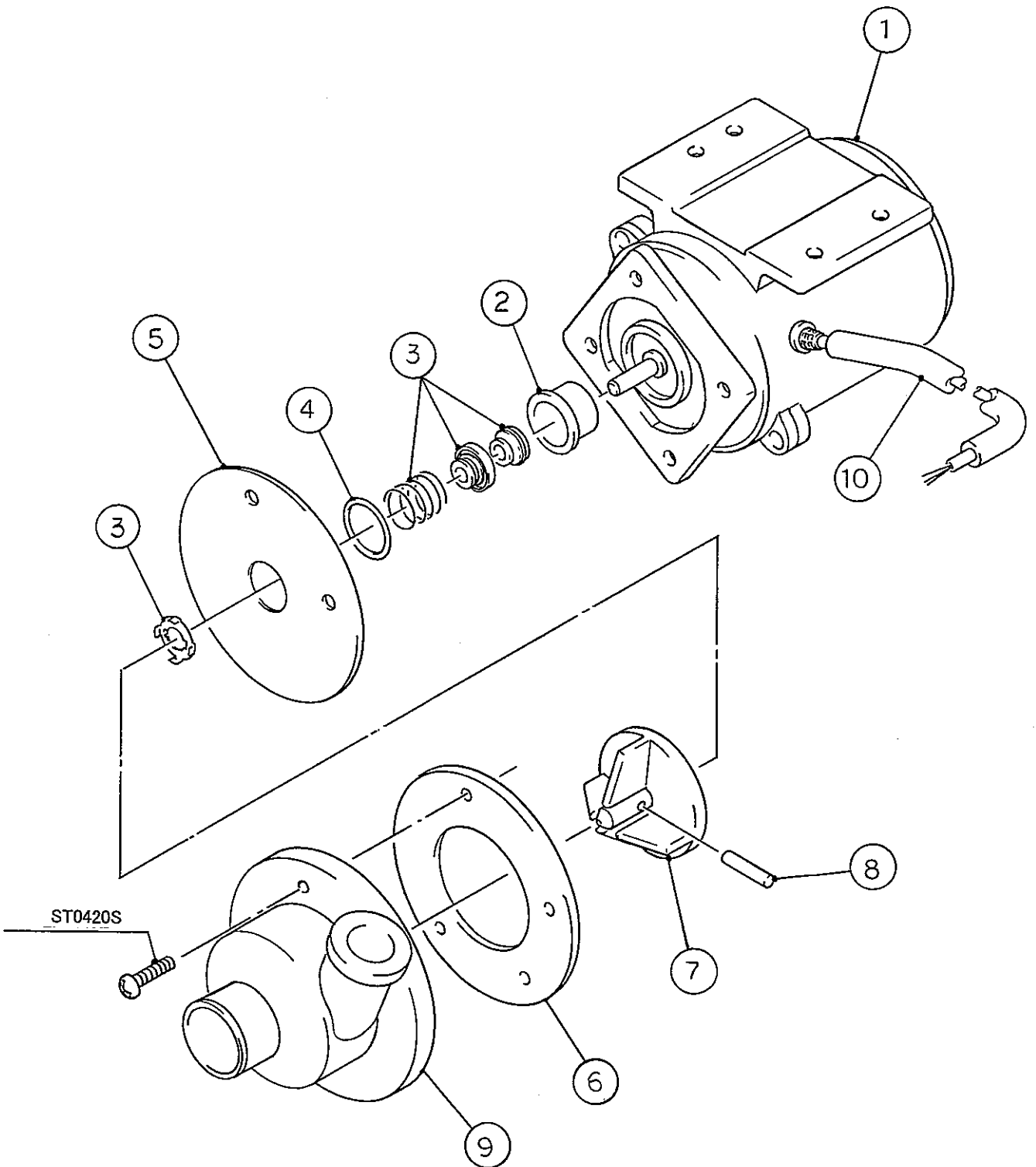
HE, GENERAL, KOREA,HSP,CHINA

MODEL : IM-240AME, IM-240AME-23,-21				TITLE : G. LABEL LOCATION			
INDEX NO.	DESCRIPTION	MATERIAL OR MODEL NUMBER	PART NUMBER	REQ'D NUMBER			
				E-1 F-0	F-1 G-0	G-1,H-0 U-0,U-1	U-2 V-0 L-0
1	LABEL - GROUND	PVC FILM	451712-01	1	1	1	1
2	LABEL - TERMINAL	PAPER	452379-03	1	1	1	1
3	LABEL - COMMERCIAL	(CHINA)	475135L01				1
4	LABEL - TERMINAL	PAPER	452379-04	1	1	1	1
5	CAUTION LABEL	PVC FILM	452552-01	1	1	1	1
6	LABEL - SWITCH	PVC FILM	454374-01	1	1	1	1
7	CONTROL LABEL	-	340941-01	1	1	1	1
		(KOREA)	463007-01	1	1	1	1
8	LABEL-CONTROLLER BOARD	PAPER	467627-01	1	1	1	1
9	EMBLEM-HE	PSE FILM	356509-01	1	1	1	1
10	LABEL-PENGUIN	PSE FILM	454387-01	1	1	1	1
11	MAINTENANCE-LABEL	(TAIWAN) (HE)	455837-01	1	1	×	
	CAUTION LABEL	(KOREA)	463589-01	1	1	1	1
12	CAUTION LABEL	(KOREA)	463590-01	1	1	1	1



HE, GENERAL, KOREA, HSP

MODEL : IM-240AME, IM-240AME-23,-21				TITLE : H. WATER PAN ASSY			
INDEX NO.	DESCRIPTION	MATERIAL OR MODEL NUMBER	PART NUMBER	REQ'D NUMBER			
				B-0	B-1 C-0	C-1 D-0	D-1 E-0
J	PUMP MOTOR ASSY	(S-9693)	316043A08	1	1	1	1
1	WATER PAN	ABS	1H0888-02	1	1	1	1
2	HANGER - WATER PAN	PA	3H2059-01	2	2	2	2
3	BRACKET	S.S	402957-01	2	2	2	2
4	SCREW - SPRING HOOK	AC	4H2582G01	2	2	2	2
5	HOSE - PUMP SUCTION	SI. R	425437-01	1	1	1	1
6	HOSE - PUMP DISCHARGE	SI. R	425436-01	1	1	1	1
7	BRACKET - PUMP MOTOR	G.S	315880-01	1	1	1	1
8	WATER PLATE (S-0393)	(240AME, -23)	208020G01	1	1	1	1
	WATER PLATE (S-0415)	(240AME-21)	208484G01	1	1	1	1
9	PIPE - OVERFLOW	ABS	315530-01	1	1	1	1
10	THUMBSCREW	ABS, S.S	415949G01	1	1	1	1
11	"O" RING	G-25	404779-08	1	1	1	1
12	TIE	CV-70	7920-0001	1	1	1	1



HE, GENERAL, KOREA,HSP

MODEL : **IM-240AME,
IM-240AME-23,-21**

TITLE : **J. PUMP MOTOR ASSY**

INDEX NO.	DESCRIPTION	MATERIAL OR MODEL NUMBER	PART NUMBER	REQ'D NUMBER			
				B-0	B-1 C-0	C-1 D-0	D-1 E-0
1	PUMP MOTOR	APTA4B2P10L2	451803-01	1	1	1	1
2	RETAINER	S.S	418584-01	1	1	1	1
3	MECHANICAL SEAL /R	HKU90-J9001	465627-01	1	1	1	1
4	"O" RING	P18	404779-03	1	1	1	1
5	FLANGE - "O" RING	S.S	425640-01	1	1	1	1
6	PACKING	NR	425639-01	1	1	1	1
7	IMPELLER	ABS	424927-01	1	1	1	1
8	PIN	S.S	414102-01	1	1	1	1
9	PUMP HOUSING	ABS	208019-01	1	1	1	1
10	TUBE	CR 10 DIA t1.0 x L480	316043-14	1	1	1	1

