



**First Choice**  
Group

SPARE PARTS DIAGRAM FOR



**HOSHIZAKI**

Ice Machine  
IM-240M2E  
IM-240M2E-21  
IM-240M2E-23

First Choice Group  
Blakeney Way, Kingswood Lakeside  
Cannock, Staffs, WS11 8LD  
TEL: 01543 577778 FAX: 01543504141  
Email: [enquires@firstchoice-cs.co.uk](mailto:enquires@firstchoice-cs.co.uk)  
Web: [www.firstchoice-cs.co.uk](http://www.firstchoice-cs.co.uk)

NO. E1EA-2671

ISSUED: MAR. 2005

REVISED: MAR. 2011



**HOSHIZAKI  
SELF-CONTAINED CUBER**

**MODEL IM-240M2E  
IM-240M2E-21  
IM-240M2E-23**

**PARTS LIST**

[HE, GENERAL (50Hz) (60Hz), KOREA, HSP, CHINA]

D-1	NOV.	2004	J-0	JAN.	2009
E-0	DEC.	2004	K-0	JAN.	2010
E-1	APR.	2005	A-0	JAN.	2011
F-0	DEC.	2005			
F-1	MAY.	2006			
G-0	JAN.	2007			
G-1	MAY.	2007			
G-2	DCE.	2007			
H-1	JAN.	2008			
H-2	JUL.	2008			

# MATERIAL ABBREVIATIONS

## ALUMINUM

AL = Aluminum

## COPPER

CU = Copper

## PLASTIC

ABS = Acrylonitrile -butadiene - styrene  
AC = Polyacetal  
EVA = Ethylene vinyl acetate  
PA = Polyamide = Nylon  
PC = Polycarbonate  
PE = Polyethylene  
PES = Polyester  
PETP = Polyethylene terephthalate = Tetlon  
PP = Polypropylene  
PS = Polystyrene  
PTFE = Polytetrafluoroethylene = Teflon  
PUR = Polyurethane  
PVC = Polyvinyl chloride

## RUBBER

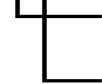
VN = Vinyl Nitrile  
EPDM = EP rubber  
NBR = Nitrile butadiene rubber  
NR = Natural rubber  
NP = Neoprene  
SI.R = Silicone rubber  
SY.R = Synthetic rubber  
EPH = Epichlorohydrin

## STEEL

GS = Galvanized steel  
SS = Stainless steel  
PS = Plated steel  
PAS = Primed steel

## AUXILIARY CODE

K-0



Designates the year. "K" indicates the year 2000. Years progress or regress in alphabetical order. "J" is 1999, "L" is 2001, "M" is 2002, and so on. The letters "I" and "O" were skipped.

Designates significant part changes within the same year. Base is 0 and this number advances for each change.

Example: P-1



"P" indicates 2004.

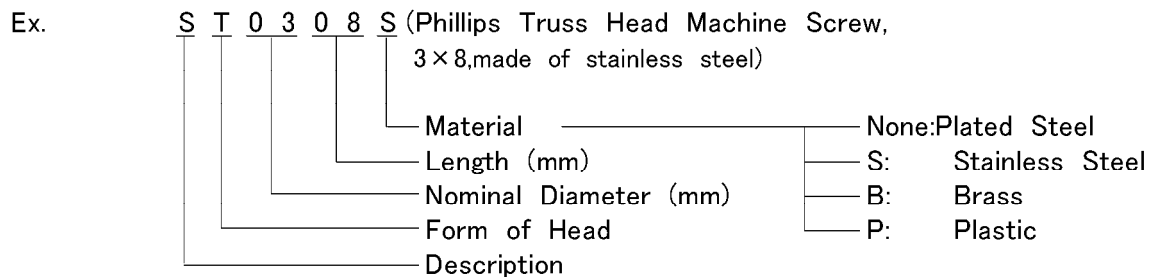
"1" indicates the first significant part change for 2004.

## MARKS LOCATED UNDER THE AUXILIARY CODE

- = Part deleted.
- x = Part deleted and replaced by "o" part.
- o = New part in place of "x" part.

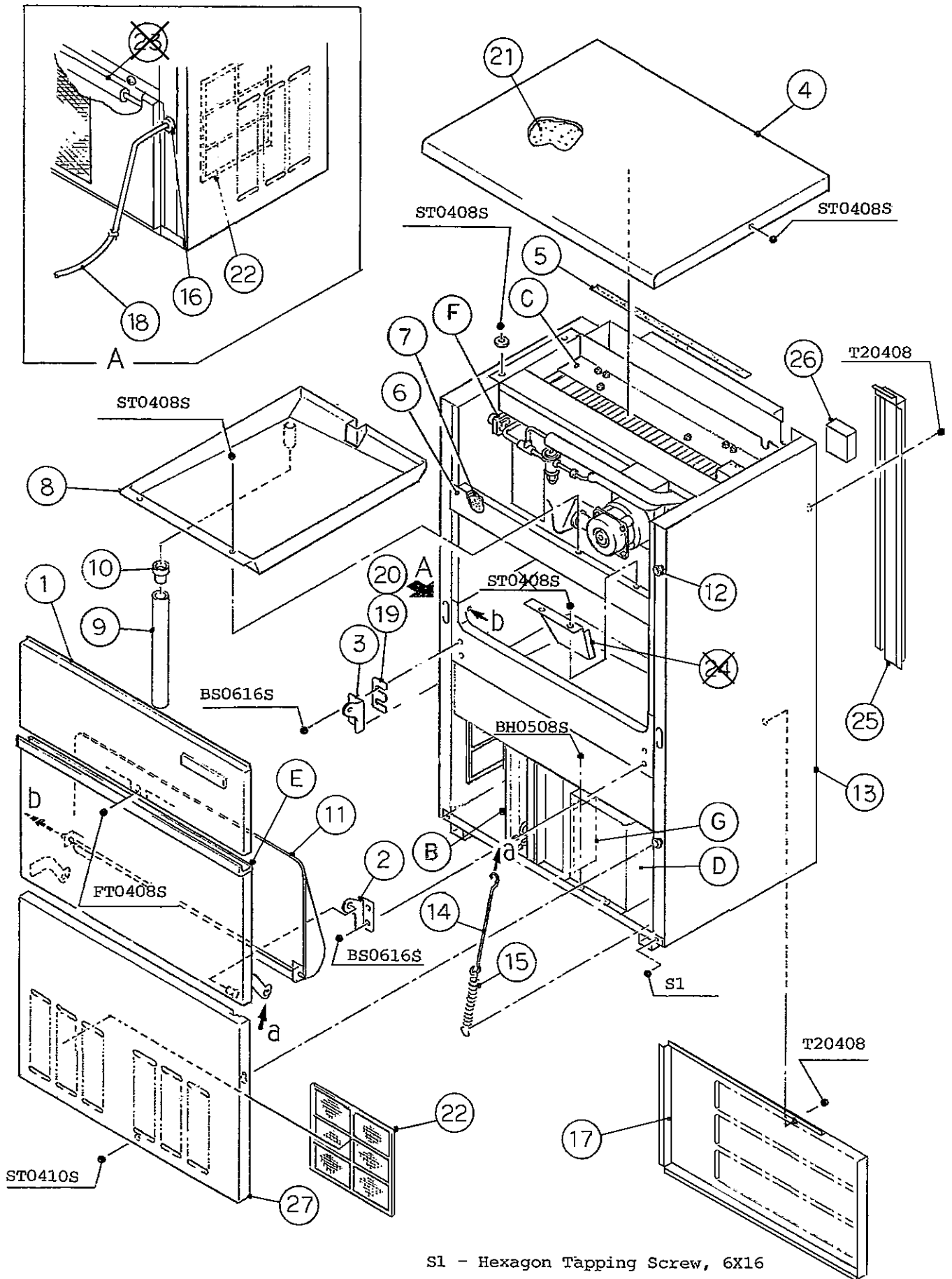
## FASTENER ABBREVIATION LIST

ST	=	Phillips Truss Head Machine Screw
SP	=	Phillips Pan Head Machine Screw
SF	=	Phillips Flat Head Machine Screw
SS	=	Phillips Pan Head Machine Screw with Split Lock Washer
SW	=	Phillips Pan Head Machine Screw with Split Lock Washer and Flat Washer
T1	=	Phillips Truss Head Tapping Screw (Correspond to Type A)
T2	=	Phillips Truss Head Tapping Screw (Correspond to Type B)
T3	=	Phillips Truss Head Tapping Screw (Correspond to Type C)
FT	=	Phillips Truss Head Tapping Screw (Special)
BH	=	Hexagon Head Bolt
BC	=	Socket Head Cap Screw
BS	=	Hexagon Bolt with Split Washer
BW	=	Hexagon Bolt with Split Washer and Flat Washer
BF	=	Hexagon Flange Bolt
BR	=	Cross-Recessed Hexagon Head Bolt
BRW	=	Cross-Recessed Hexagon Head Bolt with Split Lock Washer and Flat Washer
WL	=	Split Lock Washer
WT	=	External Tooth Washer
WF	=	Flat Washer
WS	=	Spring Washer
NH	=	Hexagon Nut
NF	=	Hexagon Flange Nut
NC	=	Hexagon Cap Nut
NS	=	Square Nut
NW	=	Wing Nut

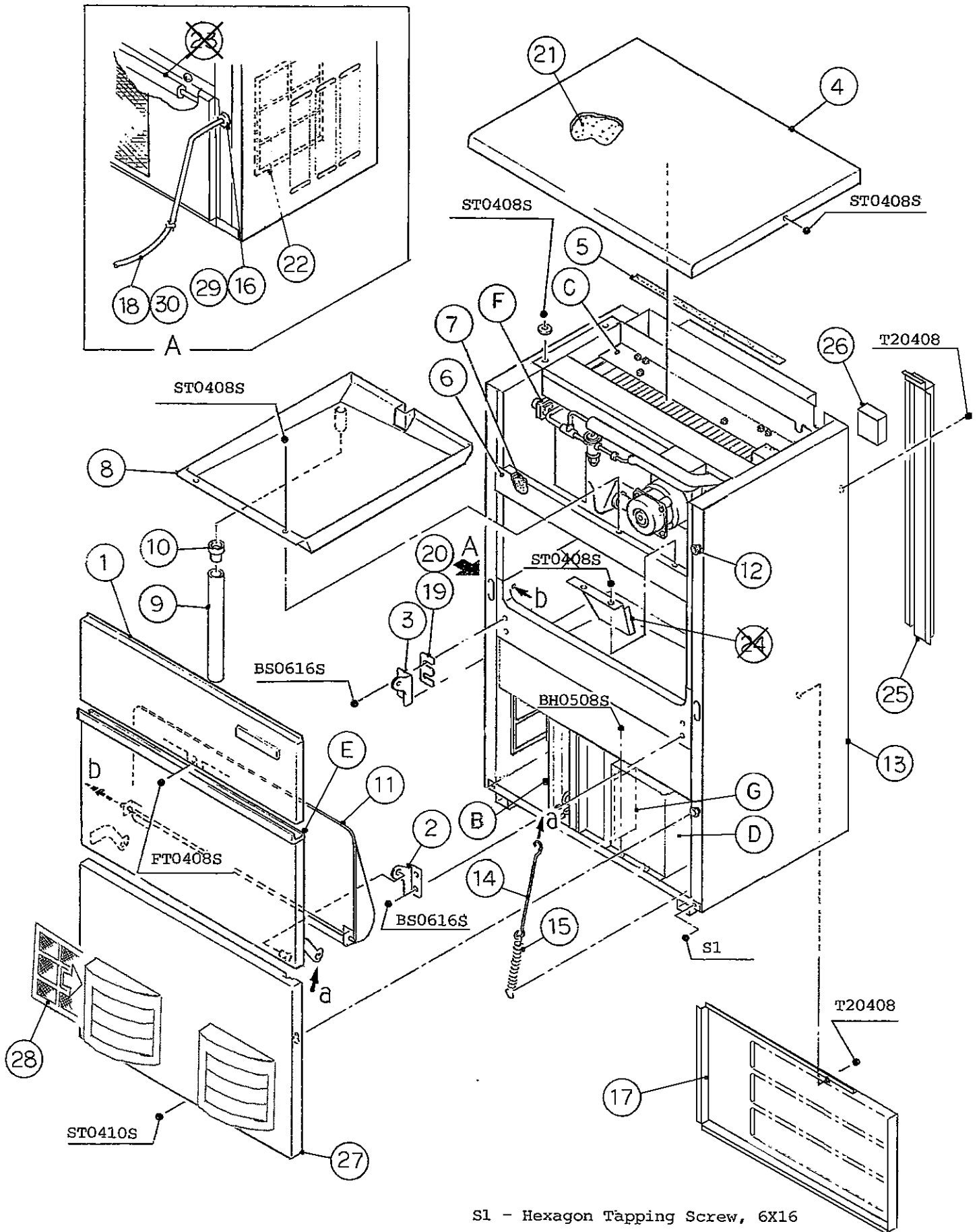


(Note) Second character is numerical except the list.  
Ex: S1,S2,B3 etc.

And abbreviations and names are shown under the illustration.



S1 - Hexagon Tapping Screw, 6X16



S1 - Hexagon Tapping Screw, 6X16

**HE, GENERAL,KOREA,HSP**

MODEL : <b>IM-240M2E</b> <b>IM-240M2E-21, -23</b>				TITLE : <b>A. ICE CUBER ASSY</b>			
INDEX NO.	DESCRIPTION	MATERIAL OR MODEL NUMBER	PART NUMBER	REQ'D NUMBER			
				D-1 E-0	E-1 F-0	F-1 G-0	G-1
B	REFRIGERATION ASSY	(240M2E)	-	1	1	-	
			1H3433A01			1	1
	1H3433A02						
	REFRIGERATION ASSY	(240M2E-21, -23)	-	1	1	1	1
C	ICE MAKING MECHANISM ASSY	(240M2E)	1H2006A01	1	1	1	1
	ICE MAKING MECHANISM ASSY	(240M2E-21, -23)	-	1	1	1	1
D	CONTROL BOX ASSY	-	2H5606A02	1	-		
			2H6764A02		1	-	
			2H7543A04			1	1
E	DOOR ASSY	-	3H1420A07	1	1	1	1
			3Y2909A01				
			3Y3817A01				
F	WATER CIRCUIT ASSY	-	3X3010A03	1	1	1	1
G	LABEL LOCATION	(240M2E)	3X9275A01	1	-		
			3X9275A02		1	1	1
	LABEL LOCATION	(240M2E-21, -23)	-	1	1	1	1
1	FRONT PANEL (UPPER)		3X9124G01	1	1	1	1
2	HINGE (RIGHT)	S.S	4H2583-01	1	1	1	1
3	HINGE (LEFT)	S.S	4H2584-01	1	1	1	1
4	TOP PANEL	S.S	3X3011-01	1	1	1	1
5	SEAL	TP-230, t3x15x700	1H3058-45	1	1	1	1
6	FRONT FRAME	S.S	3X9103-01	1	1	1	1
7	INSULATION - FRONT FRAME	PE	4X6809-02	1	1	1	1
8	DRAIN PAN	ABS	3Y3998G01	1	1	1	1
9	PIPE - DRAIN	ABS	4X7117-02	1	1	1	1
10	DRAIN TUBE	SI	4H2585-01	1	1	1	1
11	SLOPE	ABS	3X4854G01	1	1	1	1
12	TAPER COLLAR	S.S	4H0171-01	4	4	4	4
13	UNIT BODY	-	1H3441G01	1	1	1	-
			1H3441G03				1
14	HOOK	S.S	4H2685-03	1	1	1	1
15	SPRING	ZINC-PLATED WIRE	4H0823-01	1	1	1	1

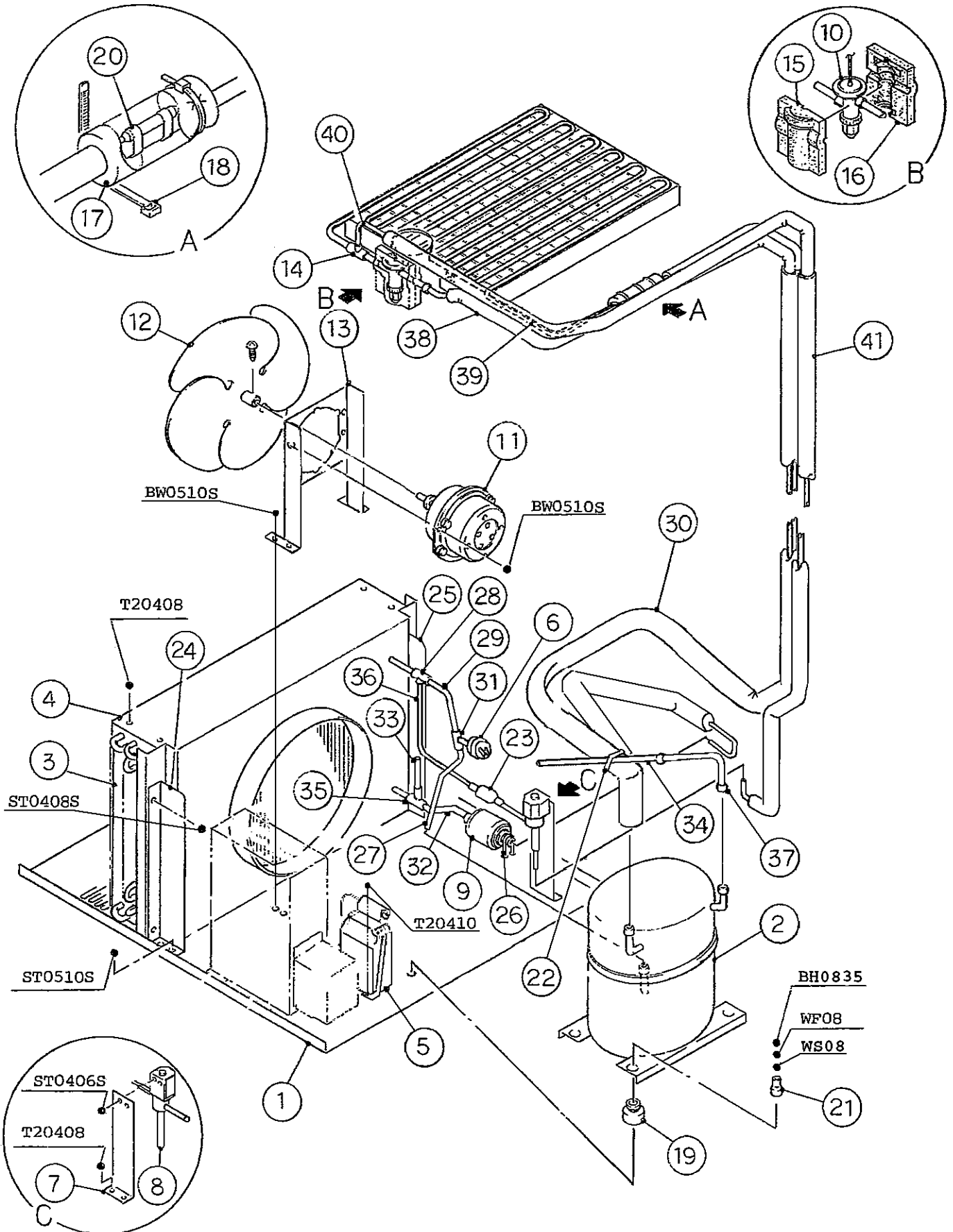
**HE, GENERAL,KOREA,HSP,CHINA**

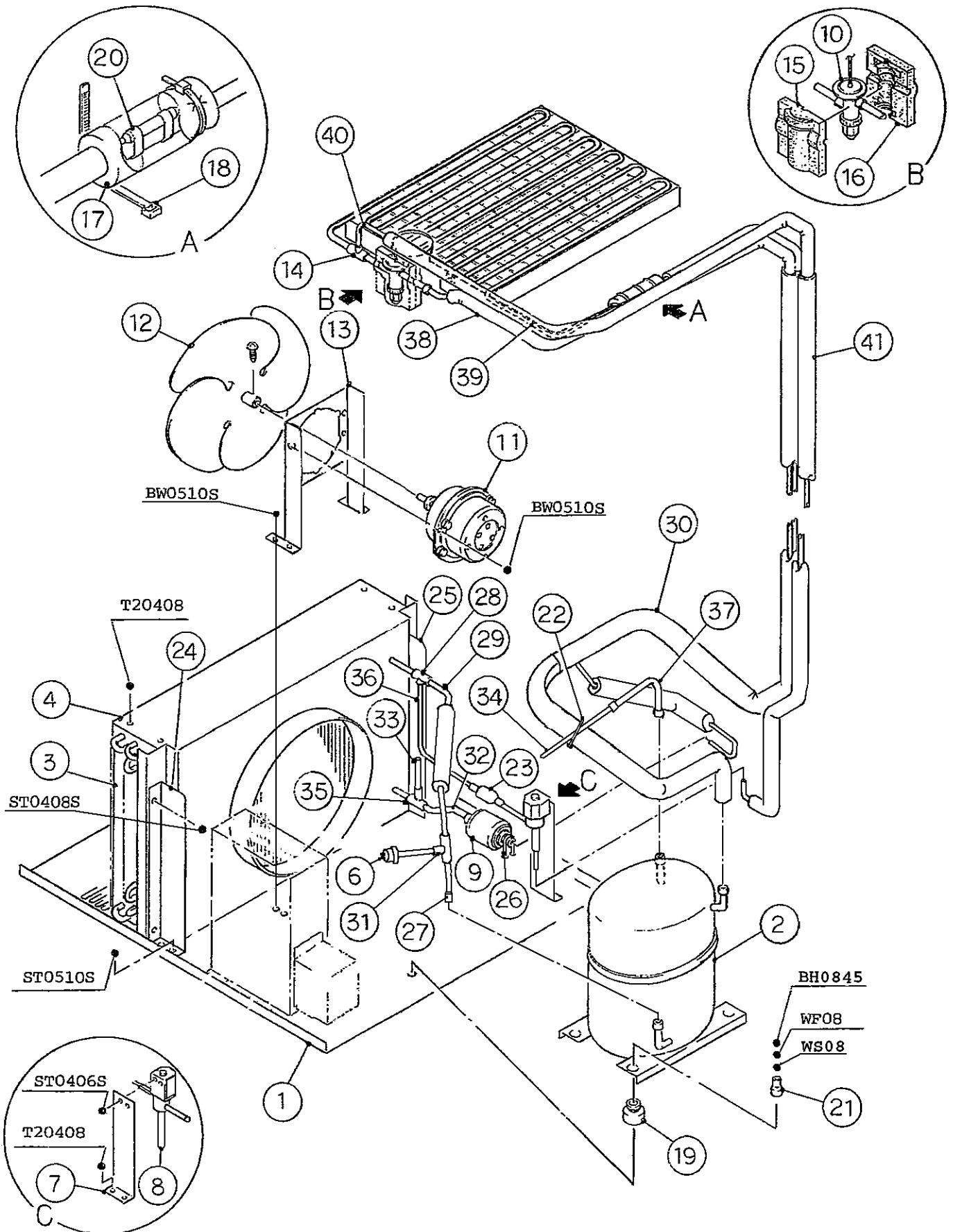
MODEL : <b>IM-240M2E</b> <b>IM-240M2E-21, -23</b>								TITLE : <b>A. ICE CUBER ASSY</b>			
INDEX NO.	DESCRIPTION	MATERIAL OR MODEL NUMBER	PART NUMBER	REQ'D NUMBER							
				G-2	H-1	H-2,J-0 K-0,A-0					
B	REFRIGERATION ASSY	(240M2E)	-								
			1H3433A01	1	-						
	1H3433A02		1	1							
	REFRIGERATION ASSY	(240M2E-21, -23)	-	1	1	1					
C	ICE MAKING MECHANISM ASSY	(240M2E)	1H2006A01	1	1	1					
	ICE MAKING MECHANISM ASSY	(240M2E-21, -23)	-	1	1	1					
D	CONTROL BOX ASSY	-	-								
		-	-								
		-	2H7543A04	1	1	1					
E	DOOR ASSY	-	3H1420A07	-							
		-	3Y2909A01	1	1	-					
		-	3Y3817A01			1					
F	WATER CIRCUIT ASSY	-	3X3010A03	1	1	1					
G	LABEL LOCATION	(240M2E)	-								
	LABEL LOCATION	(240M2E-21, -23)	3X9275A02	1	1	1					
	LABEL LOCATION	(240M2E-21, -23)	-	1	1	1					
1	FRONT PANEL (UPPER)		3X9124G01	1	1	1					
2	HINGE (RIGHT)	S.S	4H2583-01	1	1	1					
3	HINGE (LEFT)	S.S	4H2584-01	1	1	1					
4	TOP PANEL	S.S	3X3011-01	1	1	1					
5	SEAL	TP-230, t3x15x700	1H3058-45	1	1	1					
6	FRONT FRAME	S.S	3X9103-01	1	1	1					
7	INSULATION - FRONT FRAME	PE	4X6809-02	1	1	1					
8	DRAIN PAN	ABS	3Y3998G01	1	1	1					
9	PIPE - DRAIN	ABS	4X7117-02	1	1	1					
10	DRAIN TUBE	SI	4H2585-01	1	1	1					
11	SLOPE	ABS	3X4854G01	1	1	1					
12	TAPER COLLAR	S.S	4H0171-01	4	4	4					
13	UNIT BODY	-	-								
		-	1H3441G03	1	1	1					
14	HOOK	S.S	4H2685-03	1	1	1					
15	SPRING	ZINC-PLATED WIRE	4H0823-01	1	1	1					











**HE, GENERAL,KOREA,HSP**

MODEL : <b>IM-240M2E</b> <b>IM-240M2E-21, -23</b>				TITLE : <b>B. REFRIGERATION ASSY</b>			
INDEX NO.	DESCRIPTION	MATERIAL OR MODEL NUMBER	PART NUMBER	REQ'D NUMBER			
				D-1 E-0	E-1 F-0	F-1 G-0	G-1
1	BASE	G.S	3X9101G01	1	1	—	
		G.S	3Y0893G01			1	1
2	COMPRESSOR	MS26TG-T	463138-01	1	1	—	
		RS80C2E-CAZ-219	4A1581-01			1	1
3	CONDENSER - AIR COOLED	-	2H6680-01	1	1	1	1
4	SHROUD	G.S	2H6671-01	1	1	—	
		G.S	2H7582-01			1	1
5	TERMINAL BOX		463142-01	1	1	×	
6	PRESSURE SWITCH	SEP-P320HHD-1	459868-03	1	1	1	1
7	BRACKET - HOT GAS VALVE	G.S	4Y0241-01	1	1	1	1
8	HOT GAS VALVE	ATS-7S10HD-1	418636-02	1	1	1	1
9	DRIER	DML 032. 5S	462965-01	1	1	1	1
10	EXPANSION VALVE	FSE-10NHD-2	454836-02	1	1	1	1
11	FAN MOTOR	4A121A1	453036-01	1	1	1	1
12	FAN BLADE	A-0145	453035-01	1	1	1	1
13	BRACKET - FAN MOTOR	G.S	3X9104-01	1	1	—	
		G.S	3X6458-01			1	1
14	TEE	COPPER	430608-01	1	1	1	1
15	COVER (A) - EXPANSION VALVE	PE	4H9239-01	1	1	1	1
16	COVER (B) - EXPANSION VALVE	PE	4H9239-02	1	1	1	1
17	INSULATION	25 ID x 35 OD L=130	4X8643-01	1	1	1	1
18	TIE	CV-150	7920-0003	2	2	2	2
19	GROMMET	-	4Y1557-01	4	4	—	
		-	434922-02			4	4
20	CLIP	068N2530	452254-02	2	2	2	2
21	SPACER	-	4Y1558-01	4	4	—	
		-	434921-01			4	4
22	TIE	CV-100	7920-0002	1	1	1	1
23	STRAINER	COPPER	430365-02	1	1	1	1
24	BRACKET - CONDENSER (L)	G.S	4X7126-01	1	1	1	1
25	BRACKET - CONDENSER (R)	G.S	4X7126-02	1	1	1	1
26	TIE	T50RSF	436156-02	1	1	1	1

**HE, GENERAL,KOREA,HSP,CHINA**

MODEL : <b>IM-240M2E</b> <b>IM-240M2E-21, -23</b>				TITLE : <b>B. REFRIGERATION ASSY</b>			
INDEX NO.	DESCRIPTION	MATERIAL OR MODEL NUMBER	PART NUMBER	REQ'D NUMBER			
				G-2	H-1	H-2,J-0 K-0,A-0	
1	BASE	-	-				
		G.S	3Y0893G01	1	1	1	
2	COMPRESSOR	-	-				
		RS80C2E-CAZ-219	4A1581-01	1	1	1	
3	CONDENSER - AIR COOLED	-	2H6680-01	1	1	1	
4	SHROUD	-	-				
		G.S	2H7582-01	1	1	1	
5	-	-	-				
6	PRESSURE SWITCH	SEP-P320HHD-1	459868-03	1	1	1	
7	BRACKET - HOT GAS VALVE	G.S	4Y0241-01	1	1	1	
8	HOT GAS VALVE	ATS-7S10HD-1	418636-02	1	1	1	
9	DRIER	DML 032. 5S	462965-01	1	1	1	
10	EXPANSION VALVE	FSE-10NHD-2	454836-02	1	1	1	
11	FAN MOTOR	4A121A1	453036-01	1	1	1	
12	FAN BLADE	A-0145	453035-01	1	1	1	
13	BRACKET - FAN MOTOR	-	-				
		G.S	3X6458-01	1	1	1	
14	TEE	COPPER	430608-01	1	1	1	
15	COVER (A) - EXPANSION VALVE	PE	4H9239-01	1	1	1	
16	COVER (B) - EXPANSION VALVE	PE	4H9239-02	1	1	1	
17	INSULATION	25 ID x 35 OD L=130	4X8643-01	1	1	1	
18	TIE	CV-150	7920-0003	2	2	2	
19	GROMMET	-	-				
		-	434922-02	4	4	4	
20	CLIP	068N2530	452254-02	2	2	2	
21	SPACER	-	-				
		-	434921-01	4	4	4	
22	TIE	CV-100	7920-0002	1	1	1	
23	STRAINER	COPPER	430365-02	1	1	1	
24	BRACKET - CONDENSER (L)	G.S	4X7126-01	1	1	1	
25	BRACKET - CONDENSER (R)	G.S	4X7126-02	1	1	1	
26	TIE	T50RSF	436156-02	1	1	1	



**HE, GENERAL,KOREA,HSP,CHINA**

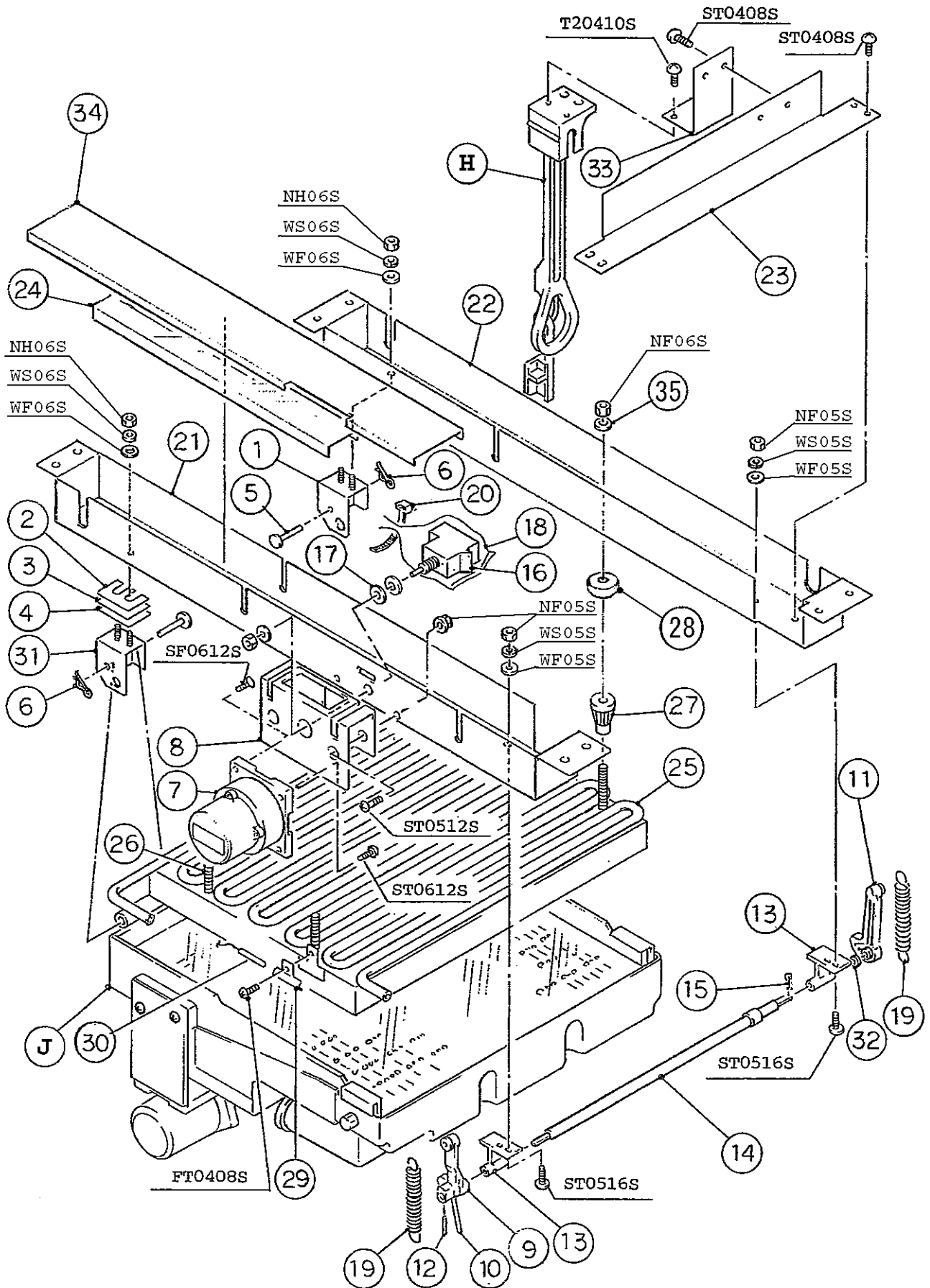
MODEL : <b>IM-240M2E</b> <b>IM-240M2E-21, -23</b>				TITLE : <b>B. REFRIGERATION ASSY</b>			
INDEX NO.	DESCRIPTION	MATERIAL OR MODEL NUMBER	PART NUMBER	REQ'D NUMBER			
				G-2	H-1	H-2,J-0 K-0,A-0	
27	COPPER TUBE (A) - HIGH SIDE	-	-				
		COPPER	4Y3638-01	1	1	1	
28	TEE	COPPER	420041-02	1	-		
		COPPER	420041-11		1	1	
29	COPPER TUBE (B) - HIGH SIDE	-	-				
		COPPER	4Y3639G01	1	1	1	
30	HEAT EXCHANGER	-	-				
		COPPER	3Y1190G01	1	1	1	
31	TEE	COPPER	420041-02	1	1	1	
32	COPPER TUBE (C) - HIGH SIDE	COPPER	4Y2419-01	1	1	1	
33	PROCESS TUBE	COPPER	4Y0273-01	1	1	1	
34	PIPE	COPPER	4H9158-04	1	1	1	
35	TEE	COPPER	420041-02	1	1	1	
36	COPPER TUBE (A) - HOT GAS	COPPER	4Y2422-01	1	-		
		COPPER	4Y5068M01		1	1	
37	PROCESS TUBE	COPPER	4Y2423-01	1	1	1	
38	COPPER TUBE (E) - HIGH SIDE	COPPER	3X9284G01	1	1	1	
39	COPPER TUBE (A) - LOW SIDE	COPPER	3X3257G02	1	1	1	
40	COPPER TUBE (C) - HOT GAS	COPPER	3X9133G01	1	-		
		COPPER	3X9133G02		1	1	
41	COPPER TUBE (B) - HOT GAS	COPPER	3X9132G01	1	-		
		COPPER	3X9132G02		1	1	



IM-240M2E  
IM-240M2E-21,23

C. ICE MAKING MECHANISM ASSY

(F-1) (G-0) (G-1) and later  
(D-1) (E-0) (E-1) (F-0)



**HE, GENERAL,KOREA,HSP**

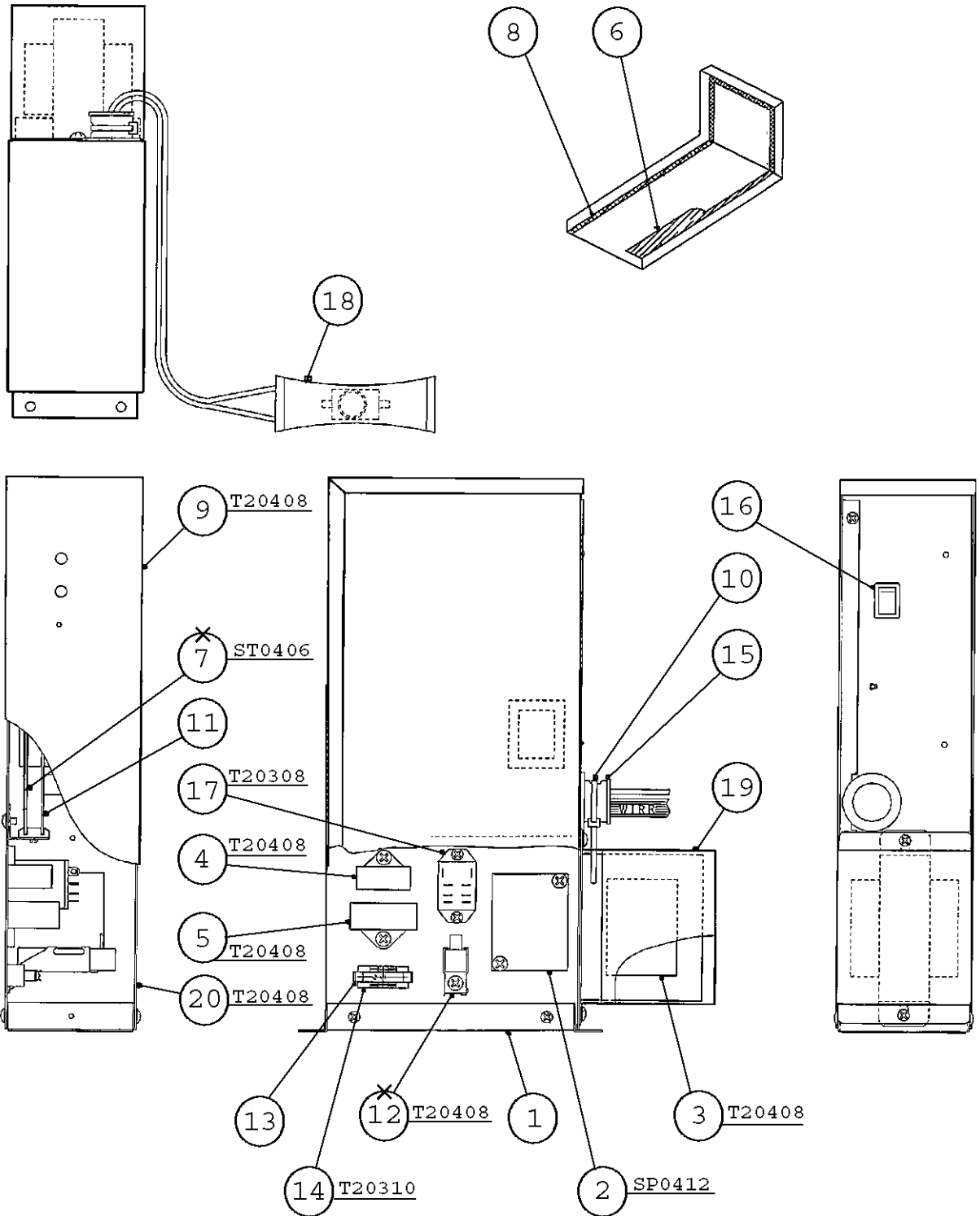
MODEL : <b>IM-240M2E</b> <b>IM-240M2E-21, -23</b>				TITLE : <b>C. ICE MAKING MECHANISM ASSY</b>			
INDEX NO.	DESCRIPTION	MATERIAL OR MODEL NUMBER	PART NUMBER	REQ'D NUMBER			
				D-1 E-0	E-1 F-0	F-1 G-0	G-1
H	BIN CONTROL SWITCH ASSY	(S-0819)	3H1538A02	1	1	1	1
J	WATER PAN ASSY	(240M2E, -23)	103108A19	1	1	1	1
	WATER PAN ASSY	(240M2E-21)	-	1	1	1	1
1	HANGER BRACKET	S.S	3H1440G02	1	1	1	1
2	SHIM (A) - EVAPORATOR	S.S	4H2691-01	REQ'D	REQ'D	REQ'D	REQ'D
3	SHIM (B) - EVAPORATOR	S.S	4H2691-02	REQ'D	REQ'D	REQ'D	REQ'D
4	SHIM (C) - EVAPORATOR	S.S	4H2691-03	REQ'D	REQ'D	REQ'D	REQ'D
5	SHAFT (B)	S.S	4H1184-02	2	2	2	2
6	SNAP PIN	S.S,No.6	7152-0600	2	2	2	2
7	ACTUATOR MOTOR	SR65A41-13	452499-01	1	1	1	1
8	BRACKET - ACTUATOR MOTOR	G.S	3H2241-01	1	1	1	1
9	CAM (A)	POM	306543G02	1	1	1	1
10	CHANGE LEVER	S.S	406261-01	1	1	1	1
11	CAM (B)	AC	315775-01	1	1	1	1
12	SPRING PIN	S.S, 3x28	712S-0328	1	1	1	1
13	CAM SHAFT HOLDER	ABS	3X8307-01	2	2	2	2
14	CAM SHAFT	S.S	425511G01	1	1	1	1
15	SPLIT PIN	S.S, 2x12	711S-0212	1	1	1	1
16	TOGGLE SWITCH	VAT4-71	431977-01	1	1	1	1
17	WASHER - TOGGLE SWITCH	S.S	406196-01	1	1	1	1
18	COVER - THERMISTOR	PE	408163-01	1	1	1	1
19	SPRING	S.S	4H3473-01	2	2	2	2
20	TIE	CV-70	7920-0001	1	1	1	1
21	FRAME - FRONT	G.S	3X3030-01	1	1	1	1
22	FRAME - REAR	G.S	3X3031-01	1	1	1	1
23	FRAME	G.S	4X7130-01	1	1	1	1
24	GUIDE - CONNECTOR	PVC	4H5619-01	1	1	1	1
25	EVAPORATOR (S-0857)	(240M2E)	208206G02	1	1	1	1
	EVAPORATOR (S-0858)	(240M2E-21)	208205G02	1	1	1	1
	EVAPORATOR (S-0859)	(240M2E-23)	2H1833G02	1	1	1	1
26	BOLT - EVAPORATOR MOUNTING	(240M2E)	4H2678-01	4	4	4	4
	BOLT - EVAPORATOR MOUNTING	(240M2E-21, -23)	4H2886-01	4	4	4	4
27	COLLAR		3H3879-01	4	4	4	4

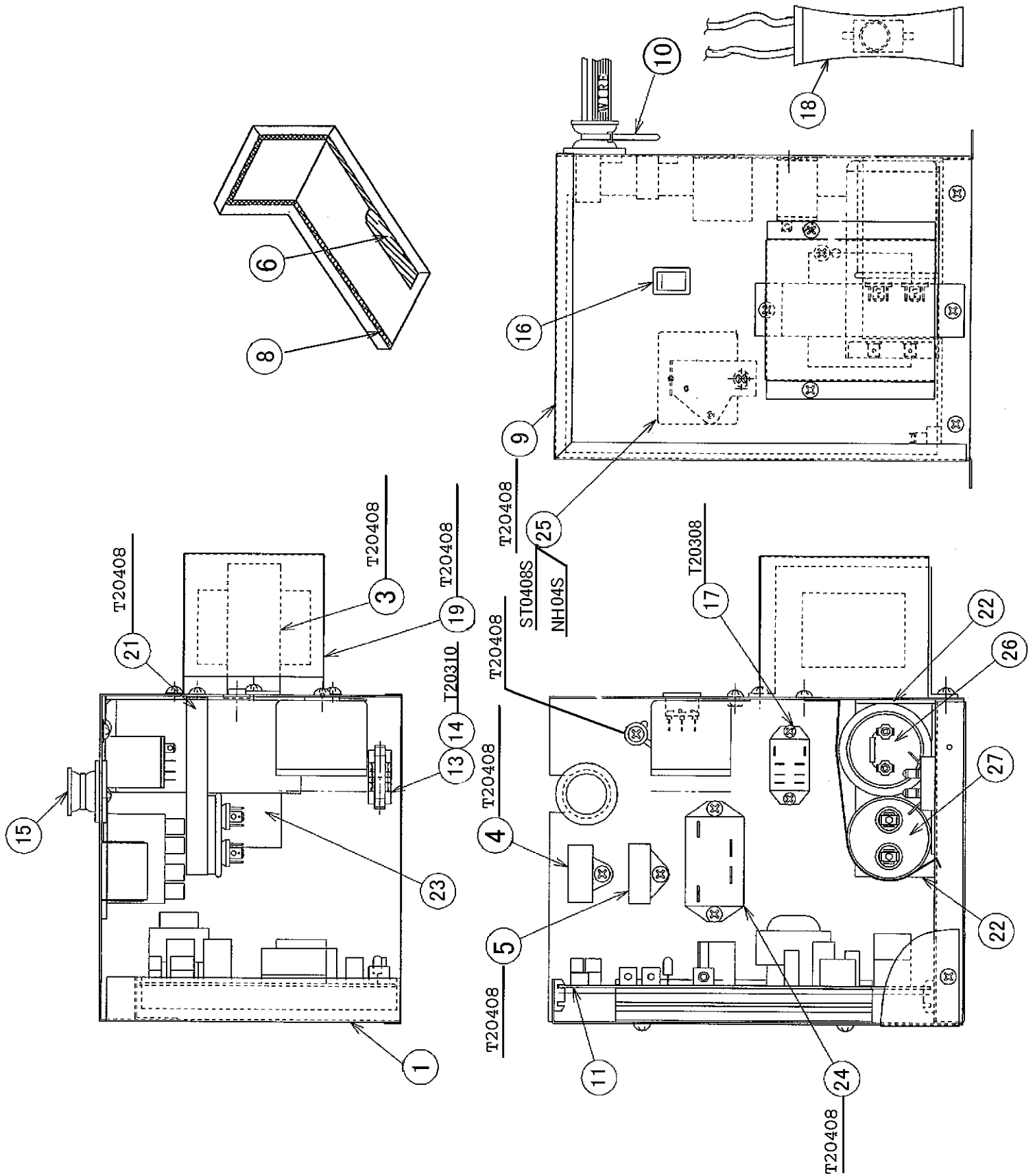
**HE, GENERAL,KOREA,HSP,CHINA**

MODEL : <b>IM-240M2E</b> <b>IM-240M2E-21, -23</b>				TITLE : <b>C. ICE MAKING MECHANISM ASSY</b>			
INDEX NO.	DESCRIPTION	MATERIAL OR MODEL NUMBER	PART NUMBER	REQ'D NUMBER			
				G-2	H-1	H-2,J-0 K-0,A-0	
H	BIN CONTROL SWITCH ASSY	(S-0819)	3H1538A02	1	1	1	
J	WATER PAN ASSY	(240M2E, -23)	103108A19	1	1	1	
	WATER PAN ASSY	(240M2E-21)	-	1	1	1	
1	HANGER BRACKET	S.S	3H1440G02	1	1	1	
2	SHIM (A) - EVAPORATOR	S.S	4H2691-01	REQ'D	REQ'D	REQ'D	
3	SHIM (B) - EVAPORATOR	S.S	4H2691-02	REQ'D	REQ'D	REQ'D	
4	SHIM (C) - EVAPORATOR	S.S	4H2691-03	REQ'D	REQ'D	REQ'D	
5	SHAFT (B)	S.S	4H1184-02	2	2	2	
6	SNAP PIN	S.S,No.6	7152-0600	2	2	2	
7	ACTUATOR MOTOR	SR65A41-13	452499-01	1	1	1	
8	BRACKET - ACTUATOR MOTOR	G.S	3H2241-01	1	1	1	
9	CAM (A)	POM	306543G02	1	1	1	
10	CHANGE LEVER	S.S	406261-01	1	1	1	
11	CAM (B)	AC	315775-01	1	1	1	
12	SPRING PIN	S.S, 3x28	712S-0328	1	1	1	
13	CAM SHAFT HOLDER	ABS	3X8307-01	2	2	2	
14	CAM SHAFT	S.S	425511G01	1	1	1	
15	SPLIT PIN	S.S, 2x12	711S-0212	1	1	1	
16	TOGGLE SWITCH	VAT4-71	431977-01	1	1	1	
17	WASHER - TOGGLE SWITCH	S.S	406196-01	1	1	1	
18	COVER - THERMISTOR	PE	408163-01	1	1	1	
19	SPRING	S.S	4H3473-01	2	2	2	
20	TIE	CV-70	7920-0001	1	1	1	
21	FRAME - FRONT	G.S	3X3030-01	1	1	1	
22	FRAME - REAR	G.S	3X3031-01	1	1	1	
23	FRAME	G.S	4X7130-01	1	1	1	
24	GUIDE - CONNECTOR	PVC	4H5619-01	1	1	1	
25	EVAPORATOR (S-0857)	(240M2E)	208206G02	1	1	1	
	EVAPORATOR (S-0858)	(240M2E-21)	208205G02	1	1	1	
	EVAPORATOR (S-0859)	(240M2E-23)	2H1833G02	1	1	1	









**HE, GENERAL,KOREA,HSP**

MODEL : <b>IM-240M2E</b> <b>IM-240M2E-21, -23</b>				TITLE : <b>D. CONTROL BOX ASSY</b>			
INDEX NO.	DESCRIPTION	MATERIAL OR MODEL NUMBER	PART NUMBER	REQ'D NUMBER			
				D-1 E-0	E-1 F-0	F-1 G-0	G-1
1	CONTROL BOX	G.S	3X6489G02	1	1	—	
		G.S	3Y1081G01			1	1
2	MAGNETIC CONTACTOR	LC1-K12016K7	461944-01	1	1	×	
3	TRANSFORMER	230V/100V	450104-01	1	1	1	1
4	CAPACITOR - ACTUATOR MOTOR	0.8 uF	456262-01	1	1	1	1
5	CAPACITOR - PUMP MOTOR	4.0 uF	416920-02	1	1	1	1
6	CUSHION	-	4H2718-01	1	1	1	1
7	SHIELD PLATE	G.S	4H2594-01	1	×		
8	SEAL TAPE	w 12 x t 3.0	2H5606-18	1	—		
			2H6764-16		1	—	
			2H7543-14			1	1
9	CONTROL BOX COVER	G.S	3X6454-01	1	1	—	
		G.S	3H9571-01			1	1
10	TIE	PRT1.5S	427466-01	1	1	1	1
11	CONTROLLER BOARD	H2AA136C03	436572-03	1	—		
		H2AE024C18	462975-18	—	1	1	1
12	SURGE ABSORBER	DSAR3FV-362M-10JLK	436573-02	1	×		
13	FUSE	218005	451924-01	1	1	1	1
14	FUSE HOLDER	CFH15	4Y2547-01	1	1	1	1
15	GROMMET	NBR	4H2568-01	1	1	1	1
16	ROCKER SWITCH	H8600VB	460681-01	1	1	1	1
17	RELAY	LY2ZF	406132-04	1	1	1	1
18	BIMETAL THERMOSTAT	ST-3L	452761-01	1	1	1	1
19	COVER - TRANSFORMER	G.S	4Y2397-01	1	1	—	
		G.S	4X4065-01			1	1
20	CONTROL BOX (R)	G.S	3X6453-01	1	1	×	
21	BRACKET - CAPACITOR	(HE)(HSP)(G50Hz)	4X4056-04			1	1
		(KOREA)(G60Hz)	4X4056-06			1	1
22	COVER(A)-CAPACITOR	ABS	4X4779-01			2	2
23	COVER(B)-CAPACITOR	ABS	4X4779-02			1	1
24	POWER RELAY	G7L-1A-TUB	449000-01			1	1

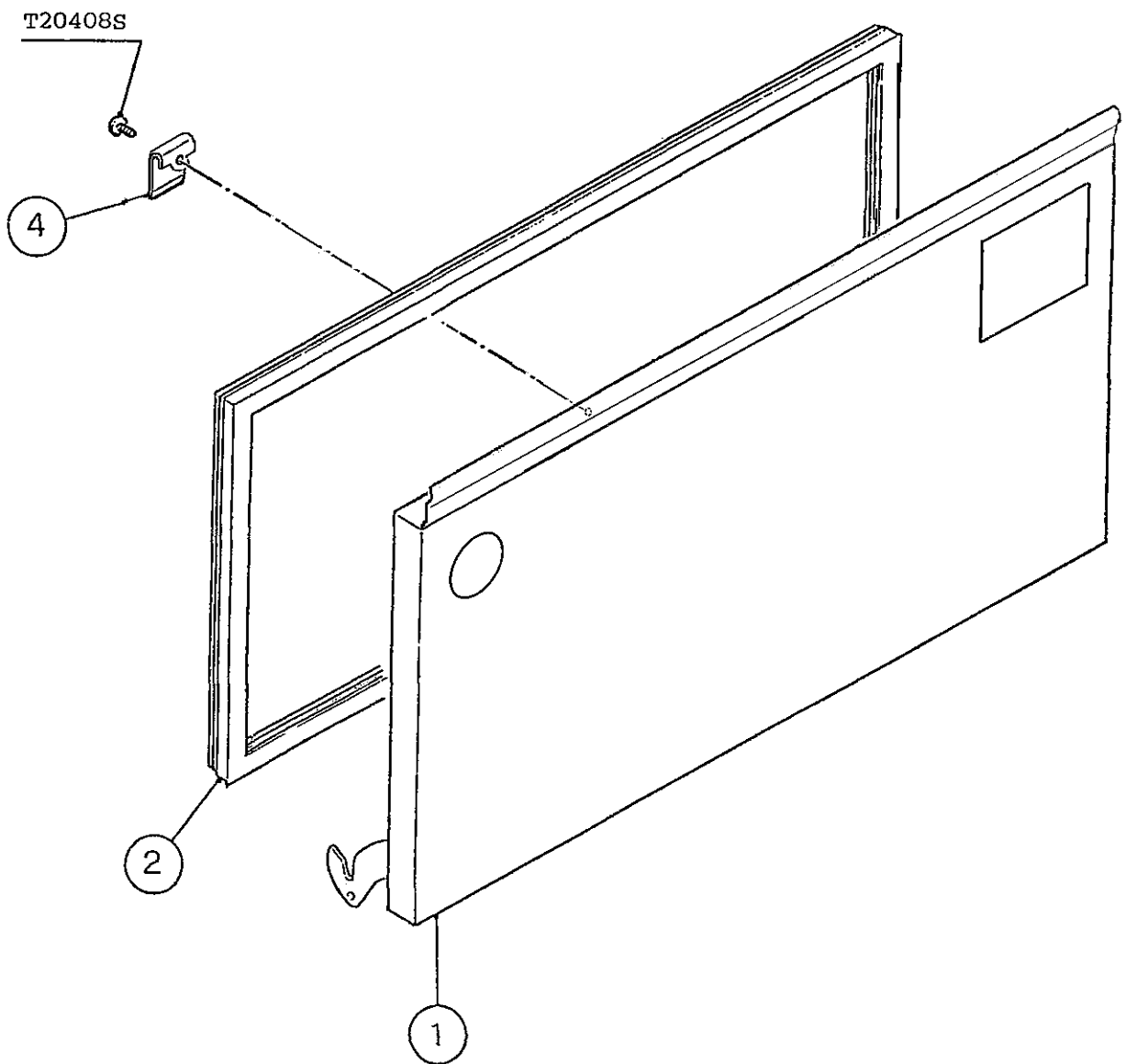


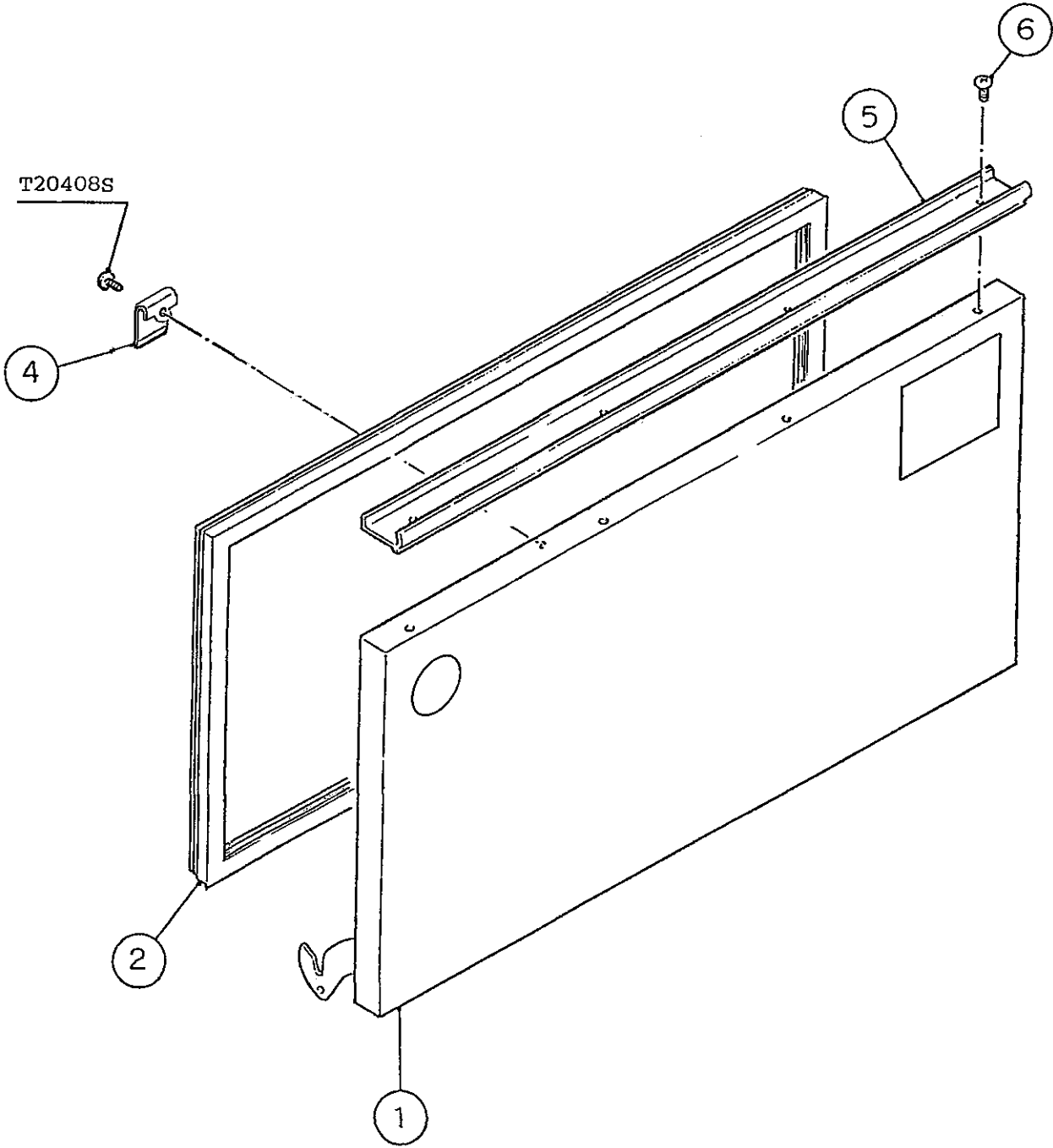
**HE, GENERAL,KOREA,HSP,CHINA**

MODEL : <b>IM-240M2E</b> <b>IM-240M2E-21, -23</b>				TITLE : <b>D. CONTROL BOX ASSY</b>			
INDEX NO.	DESCRIPTION	MATERIAL OR MODEL NUMBER	PART NUMBER	REQ'D NUMBER			
				G-2	H-1	H-2,J-0 K-0,A-0	
1	CONTROL BOX	-	-				
		G.S	3Y1081G01	1	1	1	
2	-	-	-				
3	TRANSFORMER	230V/100V	450104-01	1	1	1	
4	CAPACITOR - ACTUATOR MOTOR	0.8 uF	456262-01	1	1	1	
5	CAPACITOR - PUMP MOTOR	4.0 uF	416920-02	1	1	1	
6	CUSHION	-	4H2718-01	1	1	1	
7	-	-	-				
8	SEAL TAPE	w 12 x t 3.0	-				
			-				
			2H7543-14	1	1	1	
9	CONTROL BOX COVER	-	-				
		G.S	3H9571-01	1	1	1	
10	TIE	PRT1.5S	427466-01	1	1	1	
11	CONTROLLER BOARD	-	-				
		H2AE024C18	462975-18	1	1	1	
12	-	-	-				
13	FUSE	218005	451924-01	1	1	1	
14	FUSE HOLDER	CFH15	4Y2547-01	1	1	1	
15	GROMMET	NBR	4H2568-01	1	1	1	
16	ROCKER SWITCH	H8600VB	460681-01	1	1	1	
17	RELAY	LY2ZF	406132-04	1	1	1	
18	BIMETAL THERMOSTAT	ST-3L	452761-01	1	1	1	
19	COVER - TRANSFORMER	-	-				
		G.S	4X4065-01	1	1	1	
20	-	-	-				
21	BRACKET - CAPACITOR	(HE)(HSP)(G50Hz)	4X4056-04	1	1	1	
		(KOREA)(G60Hz)	4X4056-06	1	1	1	
22	COVER(A)-CAPACITOR	ABS	4X4779-01	2	2	2	
23	COVER(B)-CAPACITOR	ABS	4X4779-02	1	1	1	
24	POWER RELAY	G7L-1A-TUB	449000-01	1	1	1	





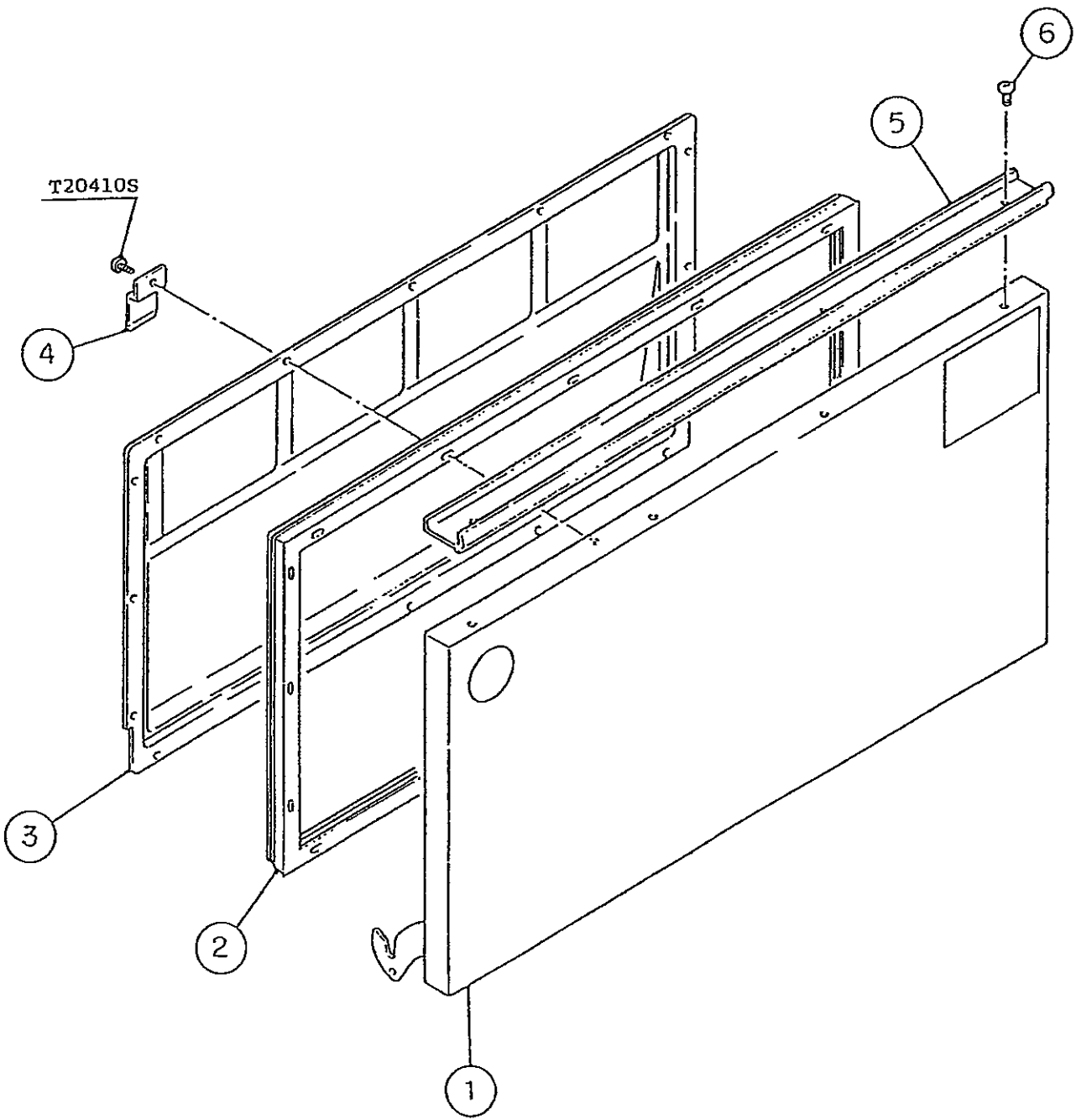




IM-240M2E  
IM-240M2E-21, 23

E. DOOR ASSY

(F-1) (G-0) (G-1)  
(D-1) (E-0) (E-1) (F-0)





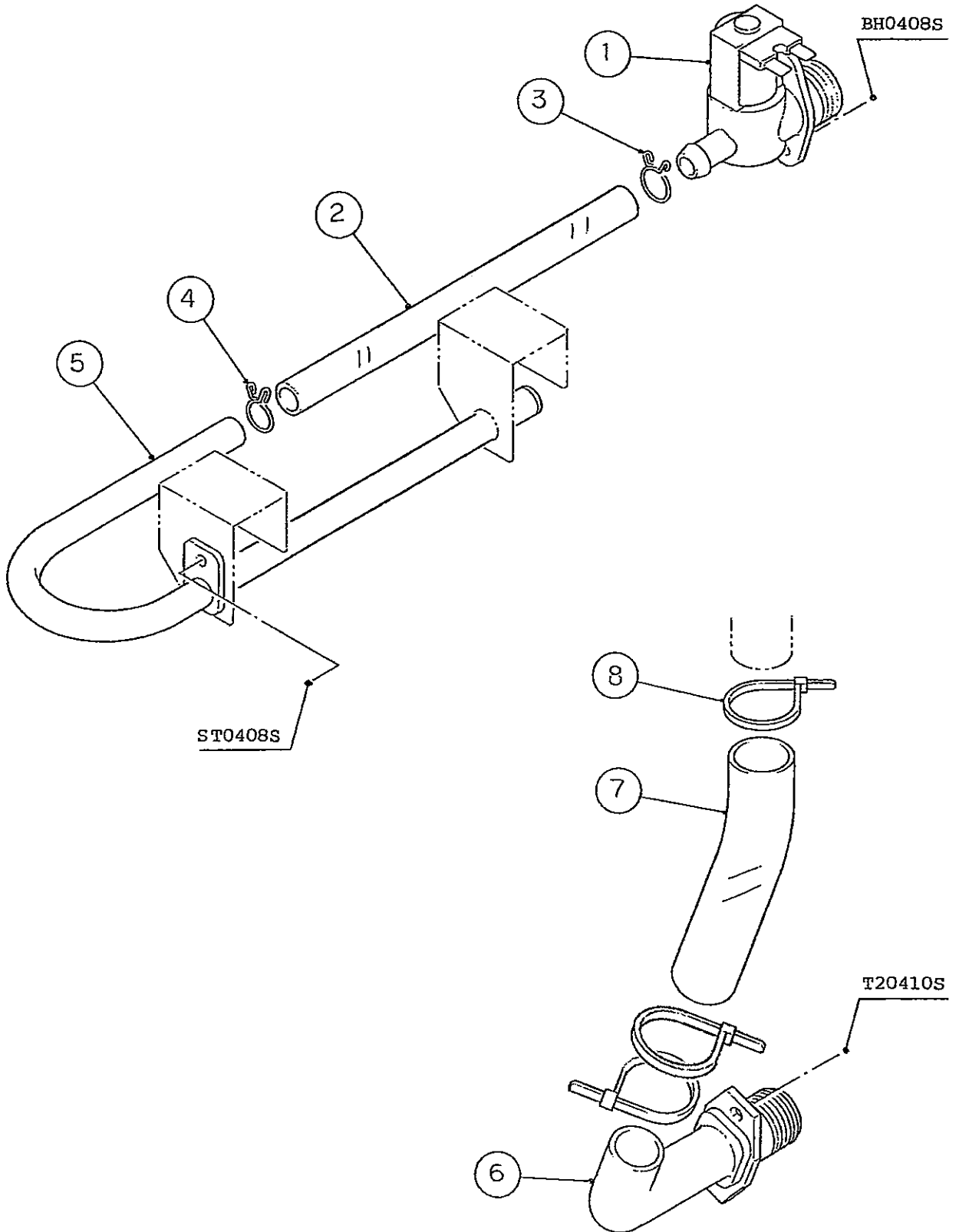




IM-240M2E  
IM-240M2E-21,23

F.WATER CIRCUIT ASSY

(F-1) (G-0) (G-1) and later  
(D-1) (E-0) (E-1) (F-0)



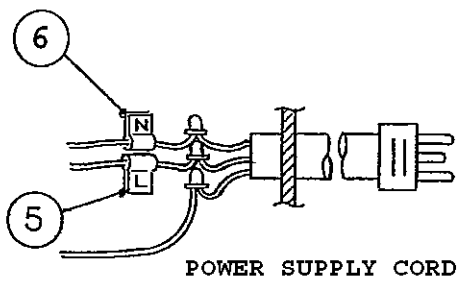
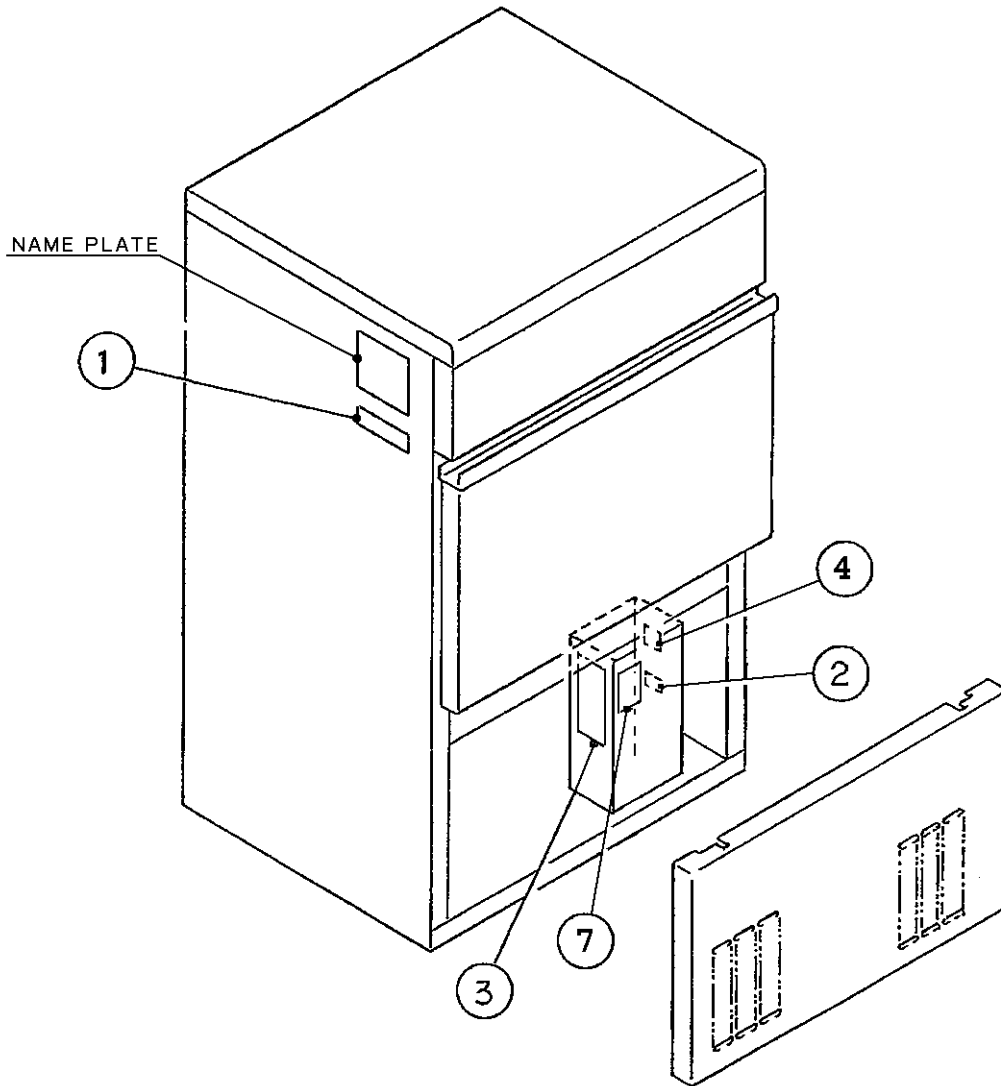




IM-240M2E  
IM-240M2E-21,23

G.LABEL LOCATION

(F-1) (G-0) (G-1) and later  
(D-1) (E-0) (E-1) (F-0)



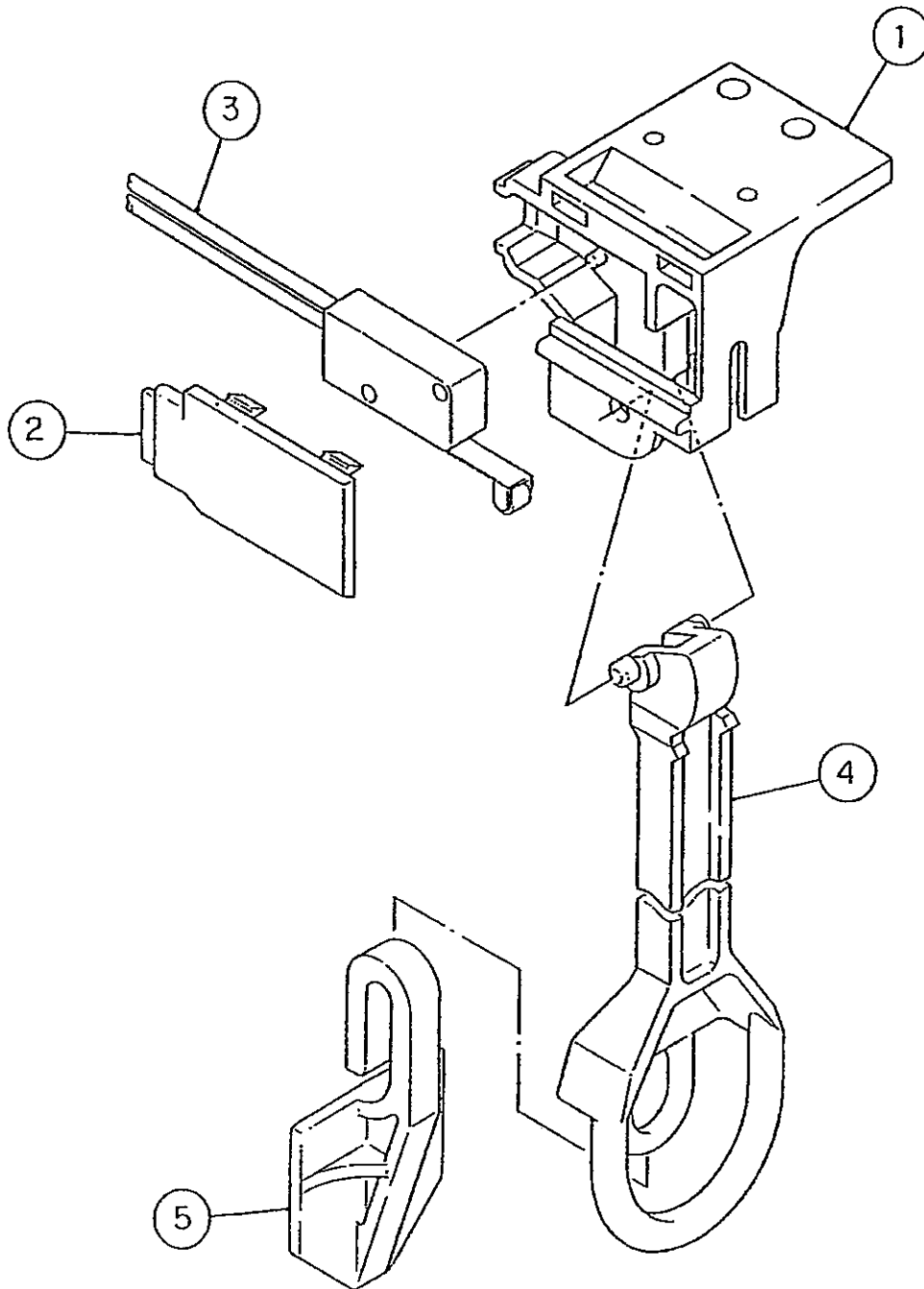




IM-240M2E  
IM-240M2E-21,23

H.BIN CONTROL SWITCH ASSY

(F-1) (G-0) (G-1) and later  
(D-1) (E-0) (E-1) (F-0)





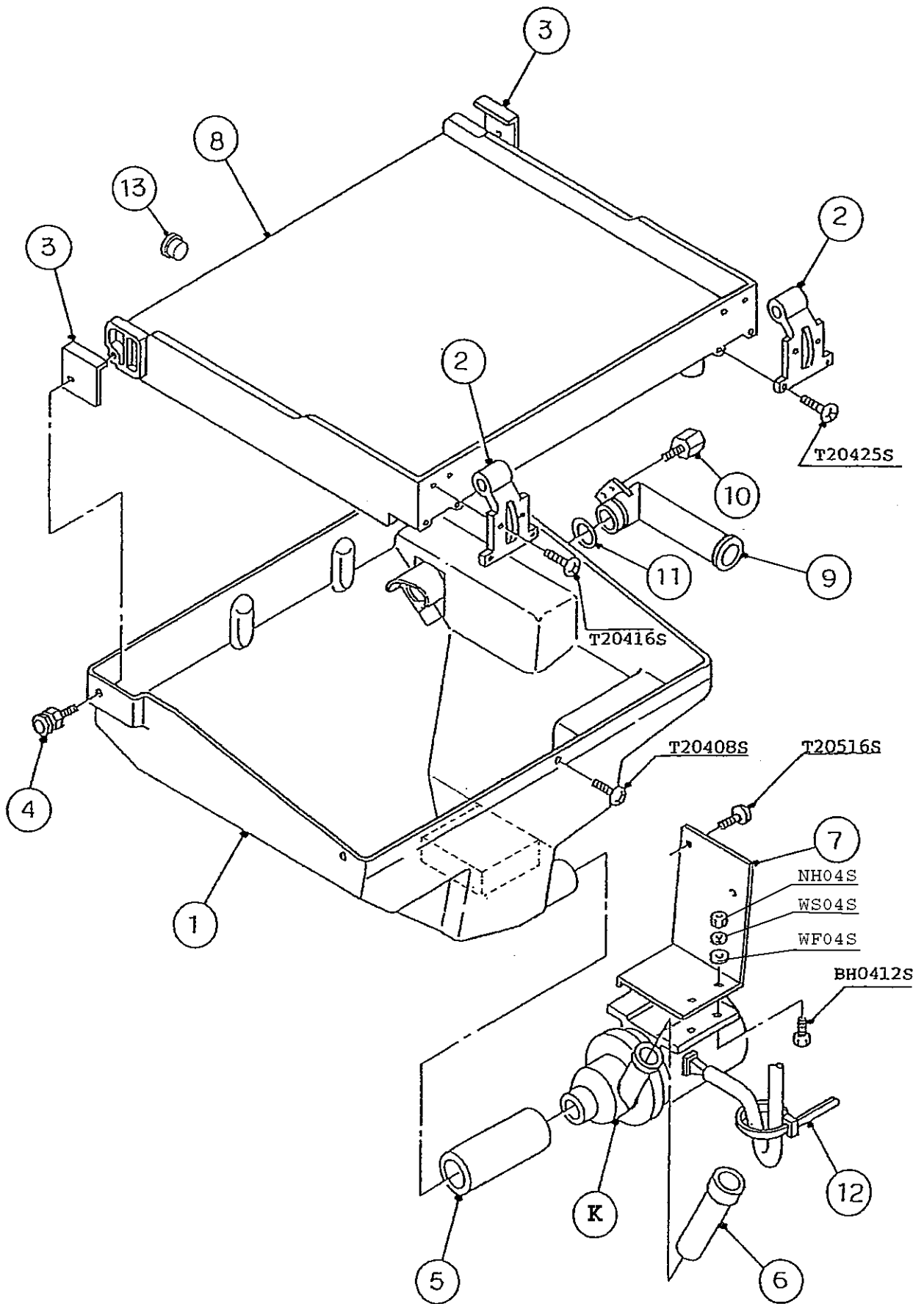




IM-240M2E  
IM-240M2E-21, 23

J.WATER PAN ASSY

(F-1) (G-0) (G-1) and later  
(D-1) (E-0) (E-1) (F-0)



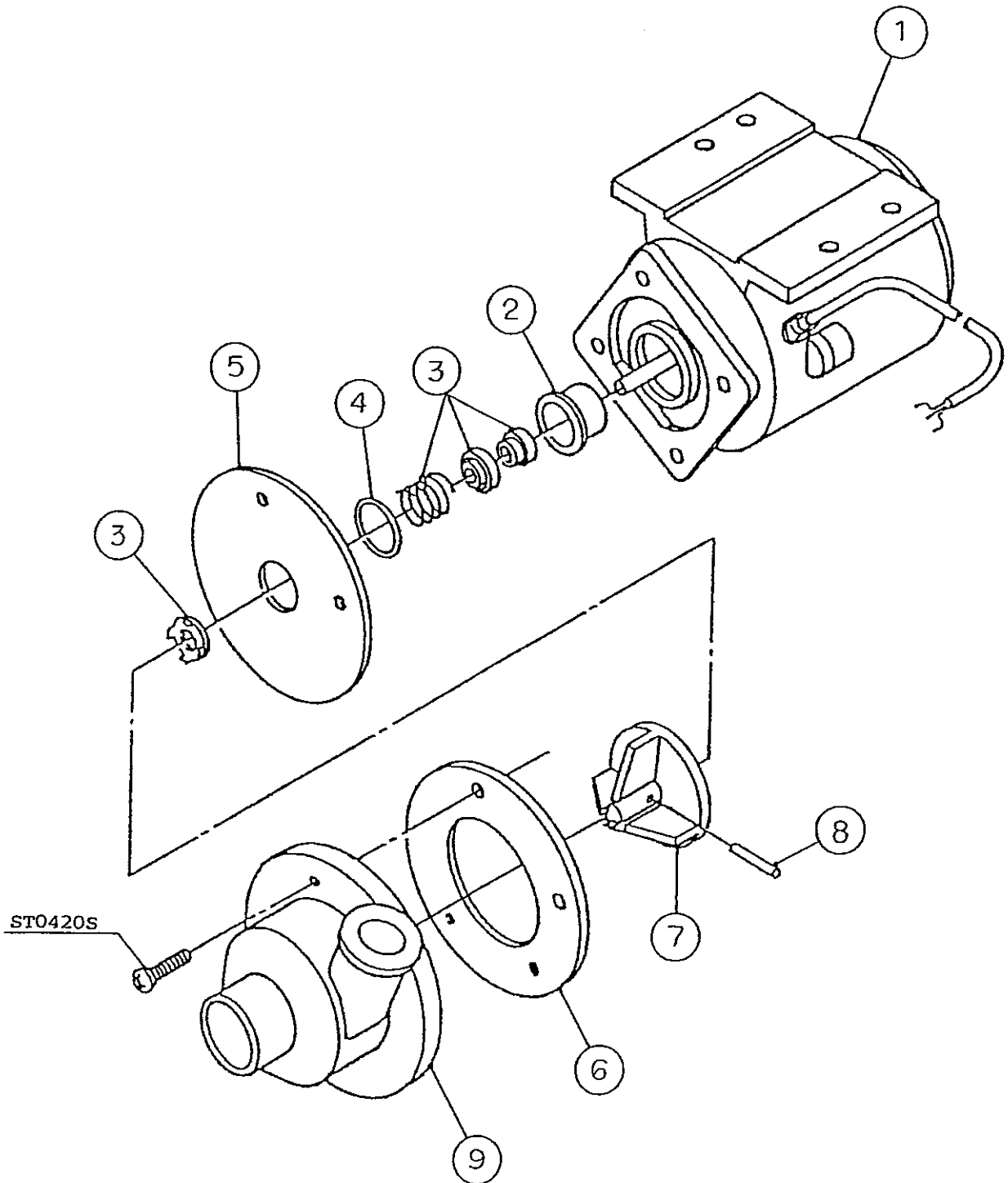




IM-240M2E  
IM-240M2E-21,23

K.WATER PUMP ASSY

(F-1) (G-0) (G-1) and later  
(D-1) (E-0) (E-1) (F-0)







IM-240M2E  
IM-240M2E-21, 23

L.ACCESSORIES

(F-1) (G-0) (G-1) and later  
(D-1) (E-0) (E-1) (F-0)

