



First Choice
Group

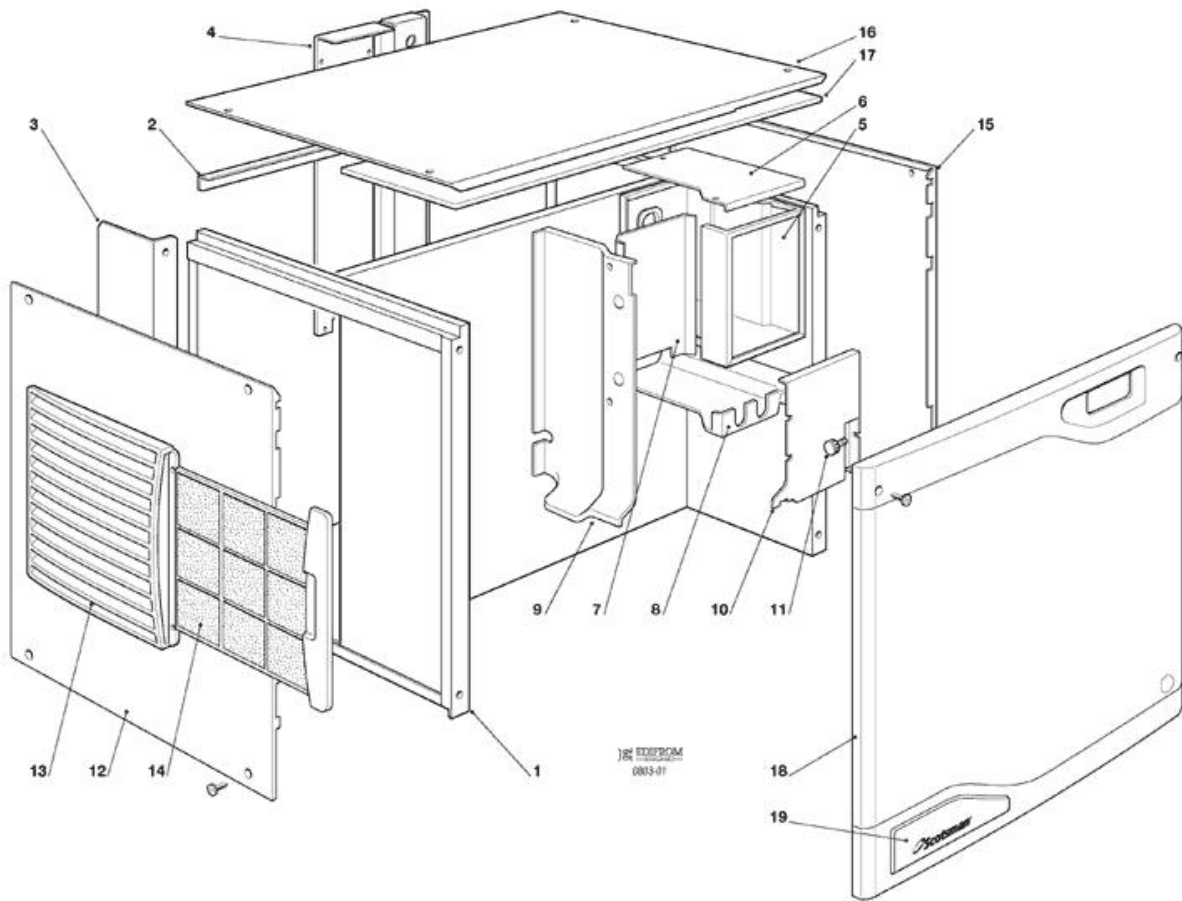
SPARE PARTS DIAGRAM FOR

Scotsman[®]
Ice Systems

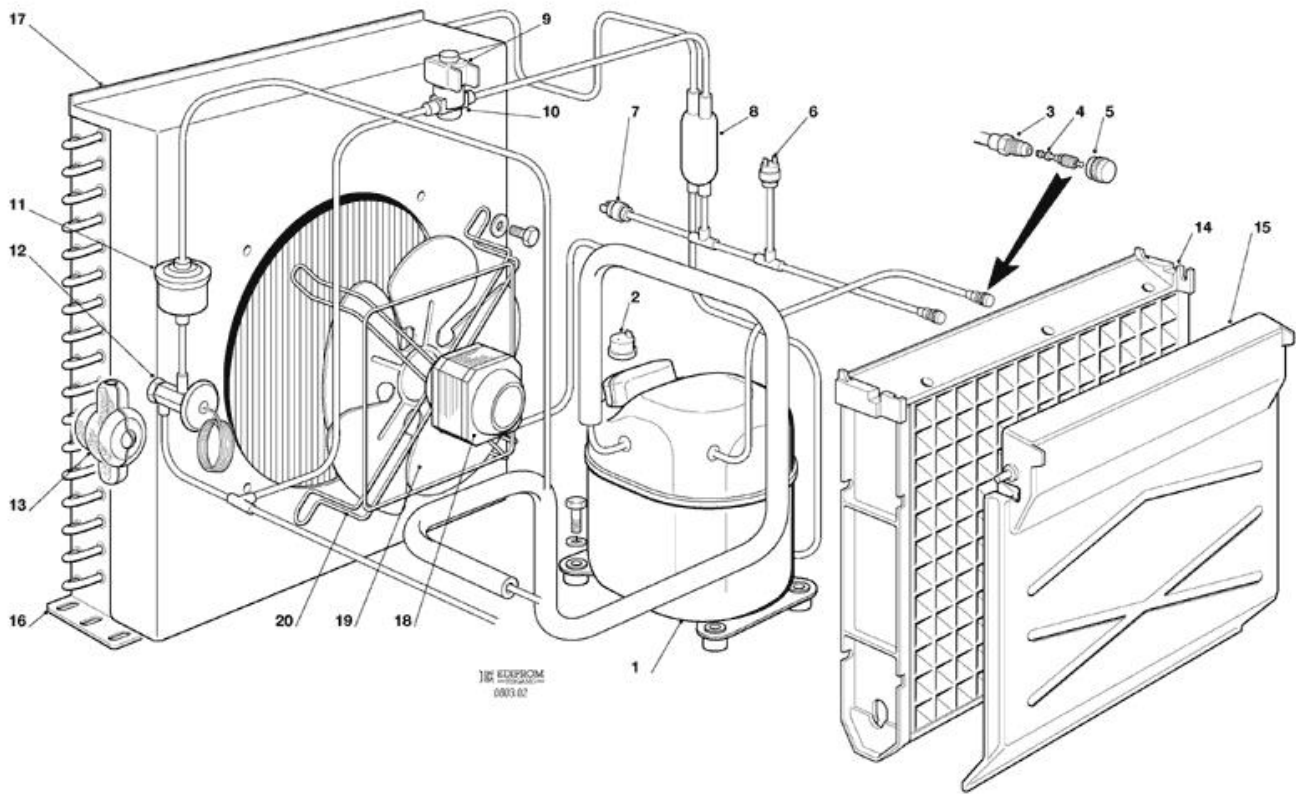
Ice Machine
P-MV1006

First Choice Group
Blakeney Way, Kingswood Lakeside
Cannock, Staffs, WS11 8LD
TEL: 01543 577778 FAX: 01543504141
Email: enquires@firstchoice-cs.co.uk
Web: www.firstchoice-cs.co.uk

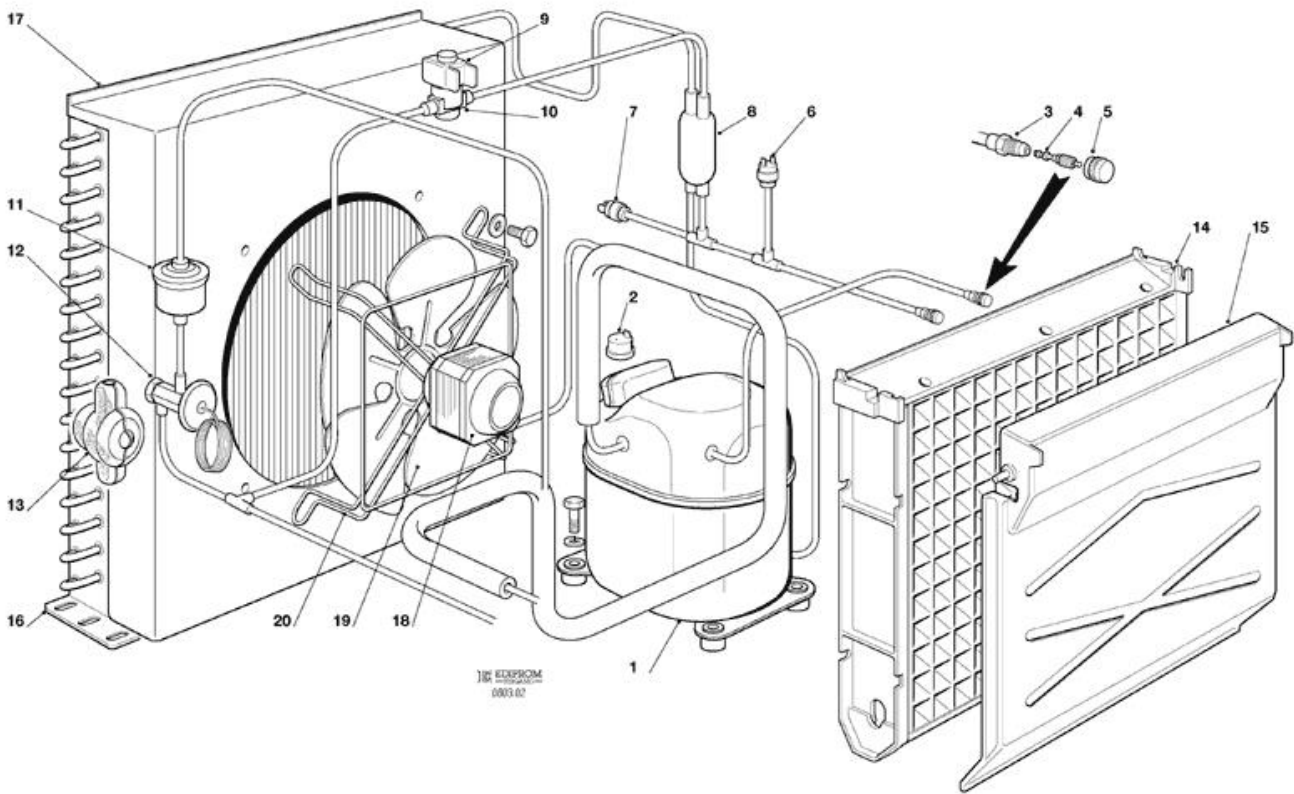
- 1 UNIT PANELS
- 2 REFRIGERANT SYSTEM - AIR COOLED - UP TO S.N. 00462
- 3 REFRIGERANT SYSTEM - AIR COOLED - FROM S.N. 00463 TO S.N. 00557
- 4 REFRIGERANT SYSTEM - AIR COOLED - FROM S.N. 00558
- 5 WATER SYSTEM - UP TO S.N. 0777
- 6 WATER SYSTEM - FROM S.N. 0778
- 7 P.C. BOARD AND SENSORS ASSY - UP TO S.N. 00126
- 8 P.C. BOARD AND SENSORS ASSY - FROM S.N. 00127 TO S.N. 00462
- 9 P.C. BOARD AND SENSORS ASSY - FROM S.N. 00463



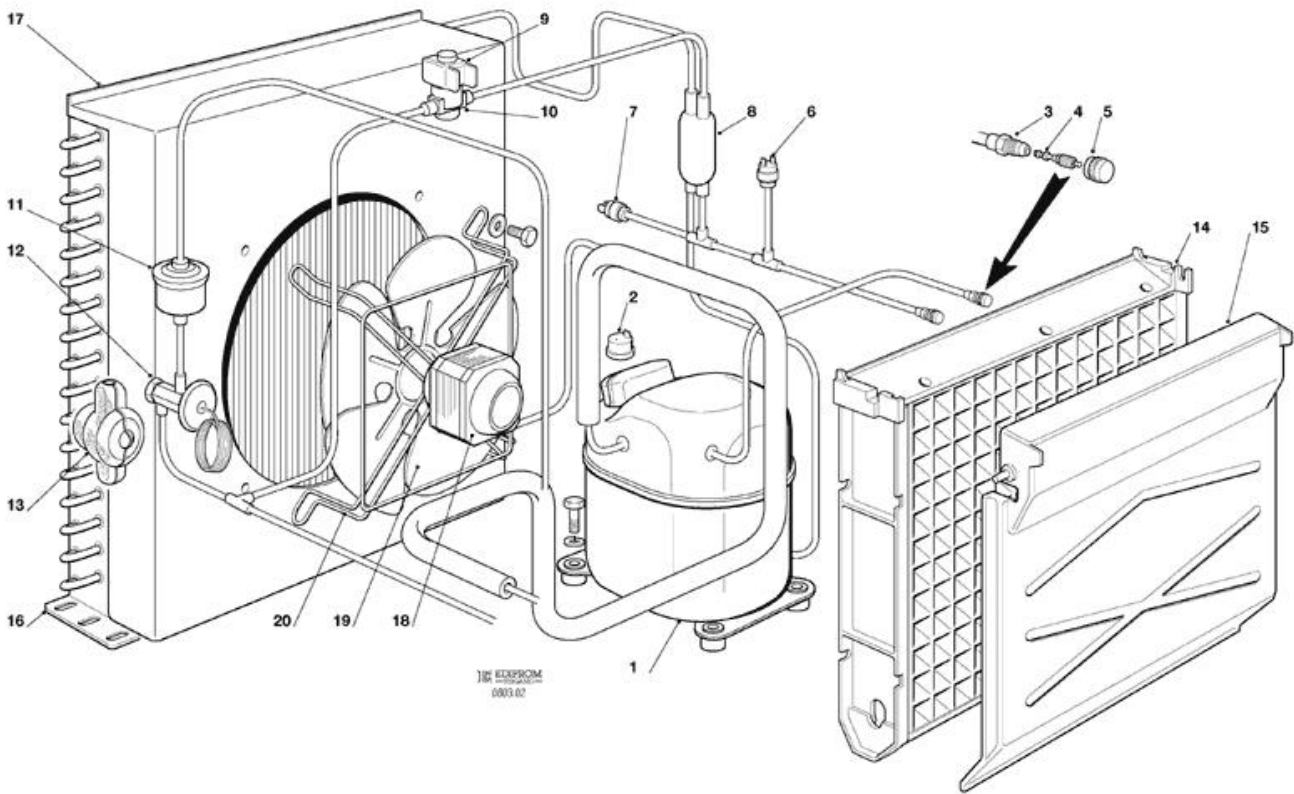
Code	Description
CM 81454243	UNIT FRAME
CM 25753309	REAR BRACKET
CM 25260482	AIR BAFFLE
CM 25550888	REAR PANEL
CM 81455068	CONTROL BOX
CM 25160710	METAL COVER
CM 25330868	METAL PLATE
CM 25550408	PLASTIC PLATE
CM 25550407	SIDE PLASTIC COVER
CM 25550410	FRONT PLASTIC COVER
CM 19950006	THUMB SCREW
CM 25330875	LEFT SIDE PANEL
02004224 01	PLASTIC LOUVER PANEL
02004212 01	PLASTIC FILTER
CM 25330873	RIGHT SIDE PANEL
CM 25160711	TOP PANEL
CM 25410091	INSULATION
CM 12726410	SCREW
CM 81454232	FRONT PANEL
CM 19263059	SCOTSMAN LOGO



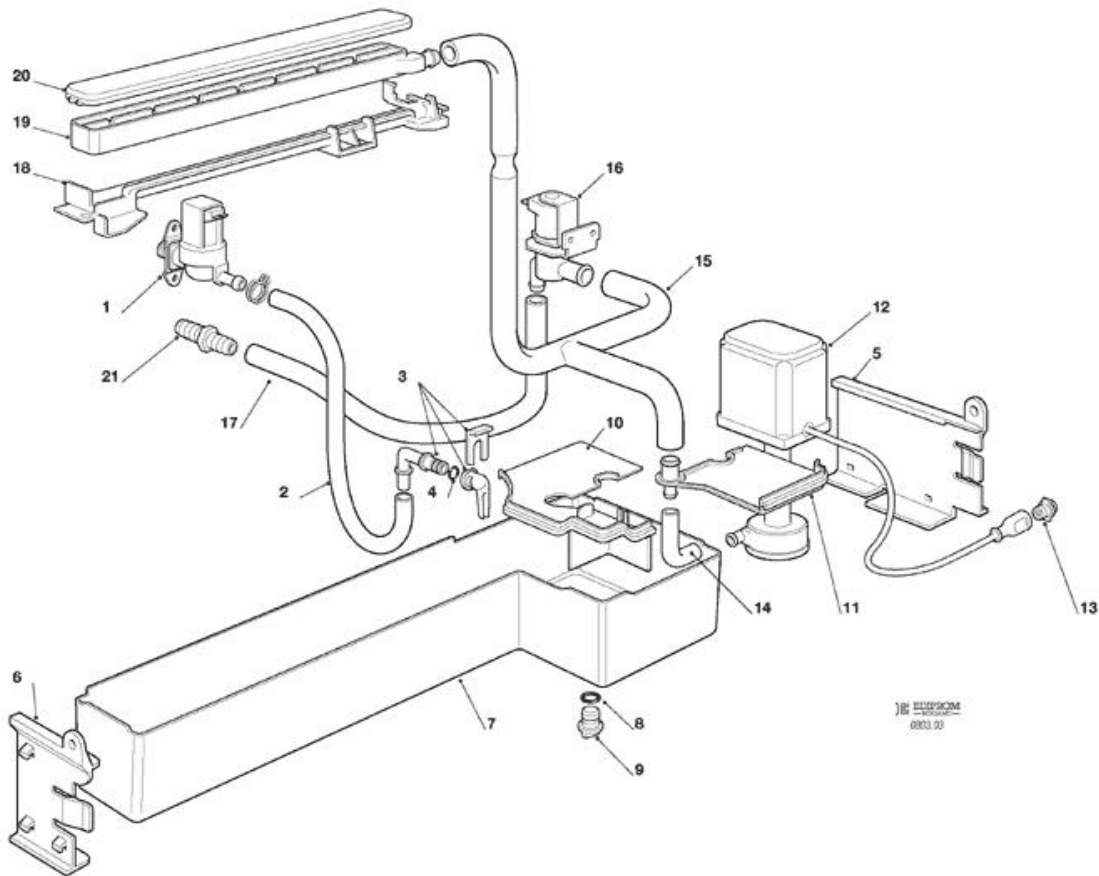
Code	Description
CM 19165565	COMPRESSOR - 400/50/3
CM 19166063	COMPRESSOR - 230/60/1
CM 19166064	COMPRESSOR - 230/50/1
650109 00	VALVE BODY
670012 00	VALVE CORE
650106 00	CAP
CM 19550629	FAN PRESSURE SWITCH
CM 19550628	HI PRESSURE SAFETY SWITCH
CM 19301268	MECHANICAL FILTER
060689 00	HOT GAS VALVE COIL - 230/50-60
CM 19863034	HOT GAS VALVE ASSY
CM 19863034	HOT GAS VALVE ASSY
CM 19300355	DRIER
CM 19870312	TXV
CM 25410096	TXV INSULATION
02004156 21	EVAPORATOR UPPER PLASTIC PLATE
CM 81454176	EVAPORATOR ASSY - DICE CUBE
CM 81454177	EVAPORATOR ASSY - LARGE CUBE
CM 81454178	EVAPORATOR ASSY - HALF LARGE CUBE
CM 81455088	EVAPORATOR ASSY - HALFDICE CUBE
CM 81454579	USE 02004611 21
CM 19177098	CONDENSER
CM 81454264	CONDENSER SHROUD
CM 18562524	FAN MOTOR - 230/50-60
CM 18740042	FAN BLADE
CM 25726513	FAN BRACKET



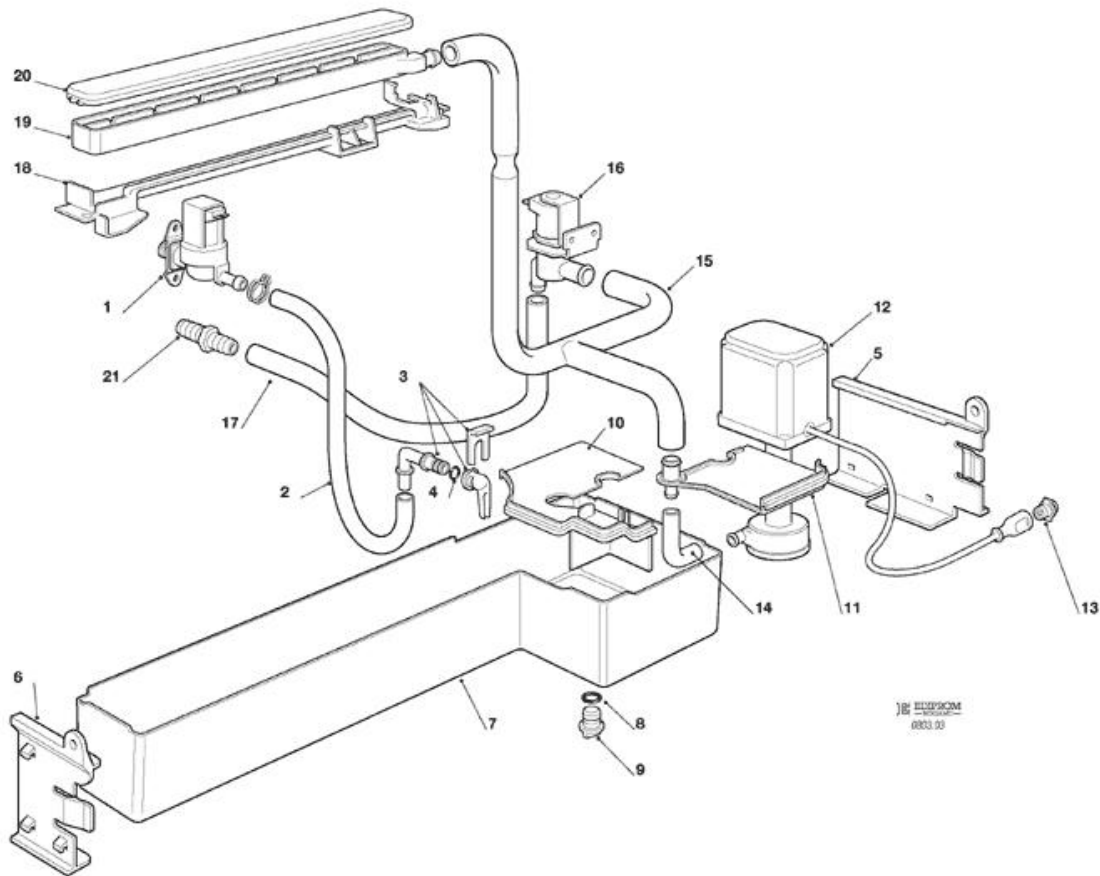
Code	Description
670098 00	COMPRESSOR - 400/50/3
670098 01	COMPRESSOR - 230/50/1
CM 19166063	COMPRESSOR - 230/60/1
650109 00	VALVE BODY
670012 00	VALVE CORE
650106 00	CAP
CM 19550629	FAN PRESSURE SWITCH
CM 19550628	HI PRESSURE SAFETY SWITCH
CM 19301268	MECHANICAL FILTER
060689 00	HOT GAS VALVE COIL - 230/50-60
CM 19863034	HOT GAS VALVE ASSY
CM 19863034	HOT GAS VALVE ASSY
CM 19300355	DRIER
CM 19870312	TXV
CM 25410096	TXV INSULATION
02004156 21	EVAPORATOR UPPER PLASTIC PLATE
CM 81454176	EVAPORATOR ASSY - DICE CUBE
CM 81454177	EVAPORATOR ASSY - LARGE CUBE
CM 81454178	EVAPORATOR ASSY - HALF LARGE CUBE
CM 81455088	EVAPORATOR ASSY - HALFDICE CUBE
CM 81454579	USE 02004611 21
CM 19177107	CONDENSER
CM 81454525	CONDENSER SHROUD
CM 18562524	FAN MOTOR - 230/50-60
CM 18740042	FAN BLADE
CM 25726513	FAN BRACKET



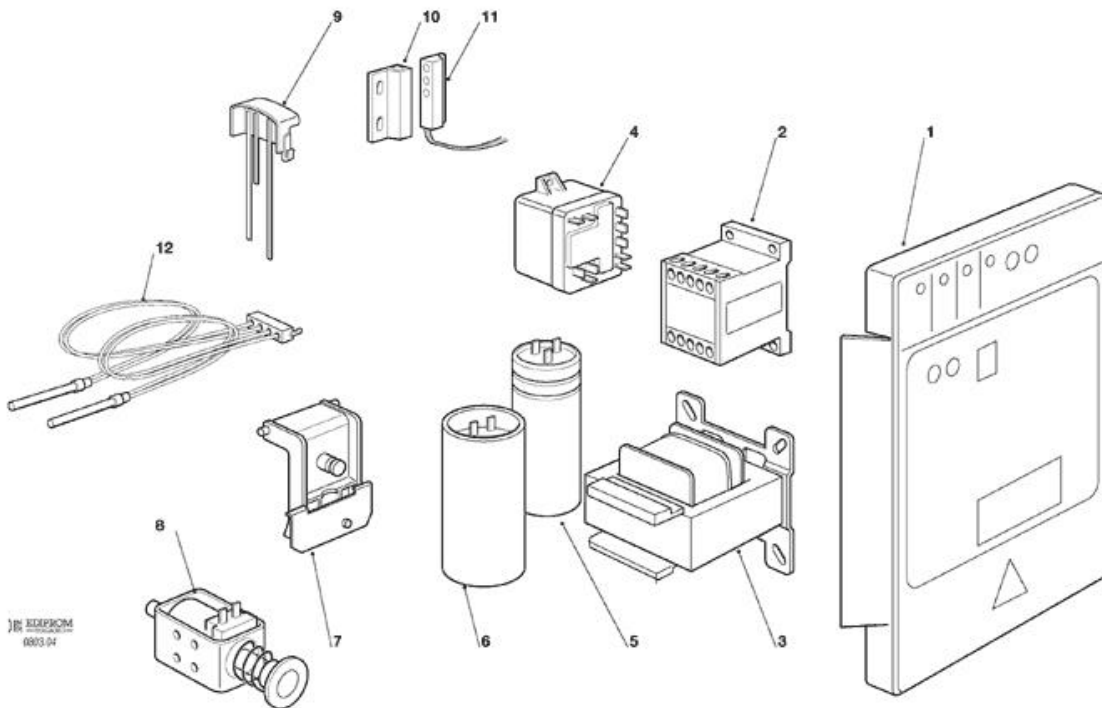
Code	Description
670098 00	COMPRESSOR - 400/50/3
670098 01	COMPRESSOR - 230/50/1
670098 02	COMPRESSOR 230/60/1
650109 00	VALVE BODY
670012 00	VALVE CORE
650106 00	CAP
CM 19550629	FAN PRESSURE SWITCH
CM 19550628	HI PRESSURE SAFETY SWITCH
CM 19301268	MECHANICAL FILTER
060689 00	HOT GAS VALVE COIL - 230/50-60
CM 19863034	HOT GAS VALVE ASSY
CM 19863034	HOT GAS VALVE ASSY
CM 19300355	DRIER
CM 19870312	TXV
CM 25410096	TXV INSULATION
02004156 21	EVAPORATOR UPPER PLASTIC PLATE
CM 81454176	EVAPORATOR ASSY - DICE CUBE
CM 81454177	EVAPORATOR ASSY - LARGE CUBE
CM 81454178	EVAPORATOR ASSY - HALF LARGE CUBE
CM 81455088	EVAPORATOR ASSY - HALFDICE CUBE
CM 81454579	USE 02004611 21
CM 19177107	CONDENSER
CM 81454525	CONDENSER SHROUD
CM 18562524	FAN MOTOR - 230/50-60
CM 18740042	FAN BLADE
CM 25726513	FAN BRACKET



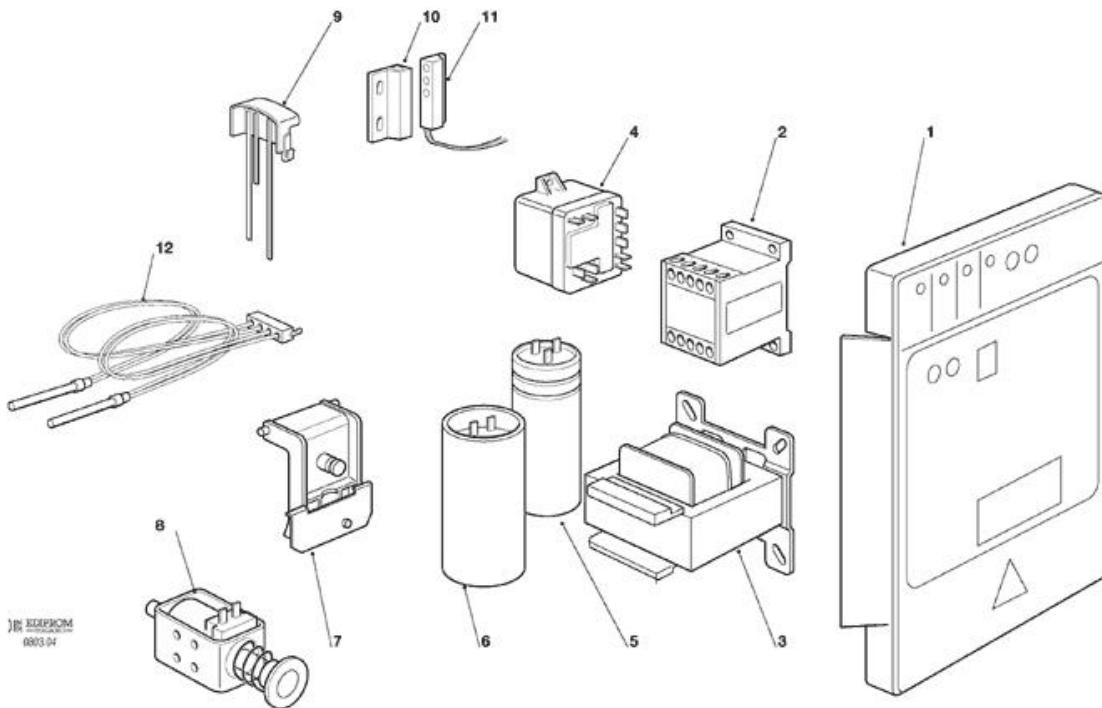
Code	Description
650105 54	INLET VALVE - 230/50 - 60
CM 25791963	PLASTIC HOSE
793172 00R	WATER INLET ELBOW ASSY
640041 31	O RING
CM 25725589	RIGHT PLASTIC BRACKET
CM 25725590	LEFT PLASTIC BRACKET
CM 25820130	WATER RESERVOIR
CM 41020448	GASKET
CM 25730503	DRAIN PLUG
CM 25160715	LEFT PLASTIC COVER
CM 81454261	FRONT PLASTIC COVER
CM 81452001	WATER PUMP KIT
CM 81452002	WATER PUMP KIT 230/60
CM 81453915	POWER SOCKET
CM 25790071	PLASTIC HOSE
CM 25790073	PLASTIC HOSE
11000564 02	PURGE VALVE
CM 25790072	PLASTIC HOSE
02004064 02	WATER PAN
02004205 02	WATER PAN PLASTIC BRACKET
02004064 02	WATER PAN
02004065 01	WATER DISTRIBUTOR COVER
CM 25690807	DRAIN FITTING, WATER



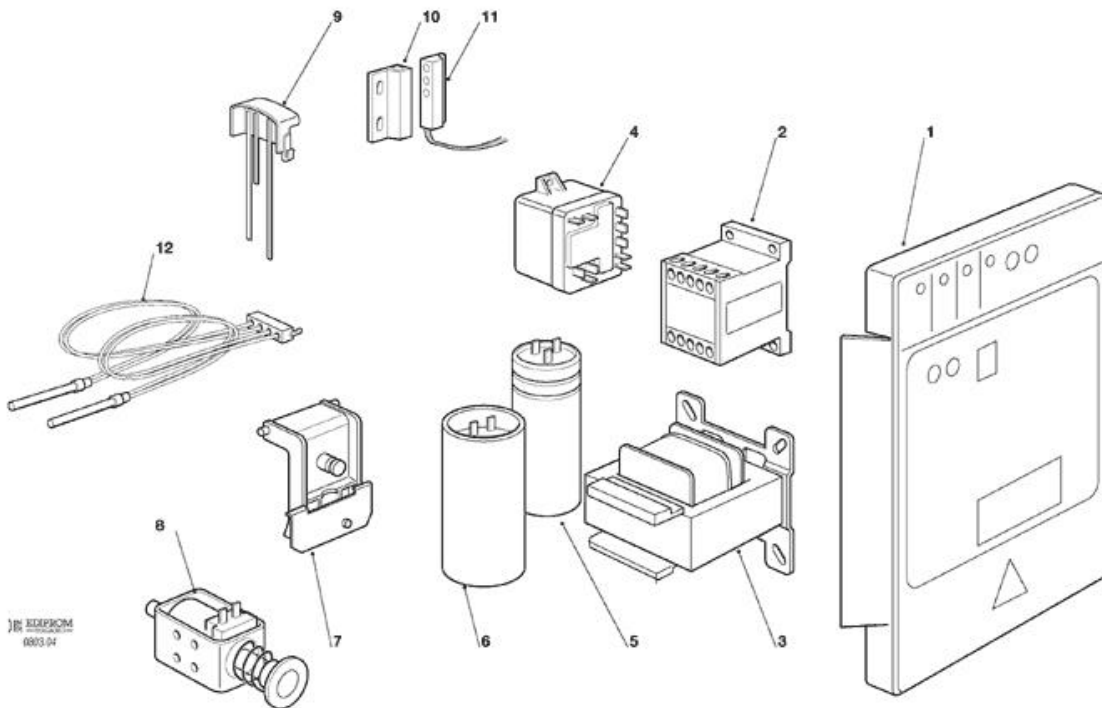
Code	Description
650105 54	INLET VALVE - 230/50 - 60
CM 25791963	PLASTIC HOSE
793172 00R	WATER INLET ELBOW ASSY
640041 31	O RING
CM 25725589	RIGHT PLASTIC BRACKET
CM 25725590	LEFT PLASTIC BRACKET
CM 25820130	WATER RESERVOIR
CM 41020448	GASKET
CM 25730503	DRAIN PLUG
CM 25160715	LEFT PLASTIC COVER
CM 81454261	FRONT PLASTIC COVER
CM 81454637	WATER PUMP - 230/50/1
CM 81454638	WATER PUMP - 230/60/1
CM 81454635	POWER SOCKET
CM 25790071	PLASTIC HOSE
CM 25790073	PLASTIC HOSE
11000564 02	PURGE VALVE
CM 25790072	PLASTIC HOSE
02004064 02	WATER PAN
02004205 02	WATER PAN PLASTIC BRACKET
02004064 02	WATER PAN
02004065 01	WATER DISTRIBUTOR COVER
CM 25690807	DRAIN FITTING, WATER



Code	Description
CM 81455126	CONTROLLER
CM 33730695	CONTACTOR - UNIT AT 230V
CM 33730712	CONTACTOR
CM 33065119	TRANSFORMER
CM 19621699	RELAY - 230/50/1
CM 19180627	RUN CAPACITOR - 230/50/1
CM 19180625	START CAPACITOR - 230/50/1
0A039031 21	ICE THICKNESS SENSOR
CM 81454259	HARVEST ASSIST SOLENOID ASSY
0A039030 21	WATER LEVEL SENSOR
12002928 01	WLS HARNESS
11000563 02	MAGNET
11000563 06	MAGNET SWITCH
11000515 21	TEMPERATURE SENSOR



Code	Description
CM 81455126	CONTROLLER
CM 33730695	CONTACTOR - UNIT AT 230V
CM 33730712	CONTACTOR
CM 33065119	TRANSFORMER
620057 55	RELAY - 230/60
CM 19621699	RELAY - 230/50/1
620167 00	START CAPACITOR 88-108MFD/330V
CM 19180627	RUN CAPACITOR - 230/50/1
620167 54	CAPACITOR - 35 MFD/450V
CM 19180625	START CAPACITOR - 230/50/1
0A039031 21	ICE THICKNESS SENSOR
CM 19270502	HARVEST ASSIST SOLENOID
0A039030 21	WATER LEVEL SENSOR
12002928 01	WLS HARNESS
11000563 02	MAGNET
11000563 06	MAGNET SWITCH
11000515 21	TEMPERATURE SENSOR



Code	Description
CM 81455126	CONTROLLER
CM 33730695	CONTACTOR - UNIT AT 230V
CM 33730712	CONTACTOR
CM 33065119	TRANSFORMER
620057 43	RELAY - 230/50
620057 55	RELAY - 230/60
620167 00	START CAPACITOR 88-108MFD/330V
620167 54	CAPACITOR - 35 MFD/450V
620167 48	CAPACITOR - 156 MFD/330V
620167 54	CAPACITOR - 35 MFD/450V
0A039031 21	ICE THICKNESS SENSOR
CM 19270502	HARVEST ASSIST SOLENOID
0A039030 21	WATER LEVEL SENSOR
12002928 01	WLS HARNESS
11000563 02	MAGNET
11000563 06	MAGNET SWITCH
11000515 21	TEMPERATURE SENSOR