



First Choice Group

SPARE PARTS DIAGRAM FOR



Taps
UK-8WF00-EE

First Choice Group
Blakeney Way, Kingswood Lakeside
Cannock, Staffs, WS11 8LD
TEL: 01543 577778 FAX: 01543504141
Email: enquires@firstchoice-cs.co.uk
Web: www.firstchoice-cs.co.uk



T&S BRASS AND BRONZE WORKS, INC.
 2 Saddleback Cove / P.O. Box 1088
 Travelers Rest, SC 29690

Model No.
UK-8WF00-EE

Item No.

Travelers Rest, SC: 800-476-4103 • Simi Valley, CA: 800-423-0150 • Fax: 864-834-3518 • www.tsbrass.com



This Space for Architect/Engineer Approval

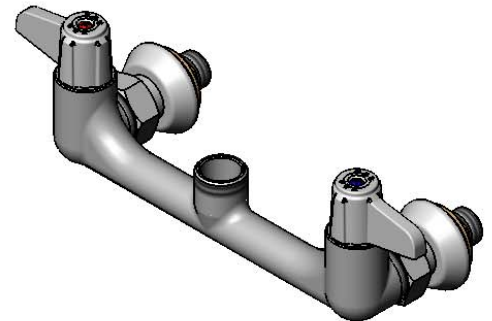
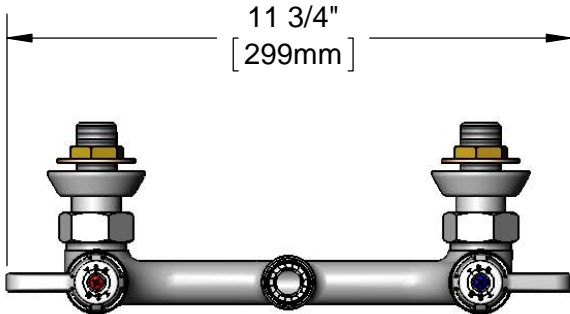
Job Name _____ Date _____

Model Specified _____ Quantity _____

Customer/Wholesaler _____

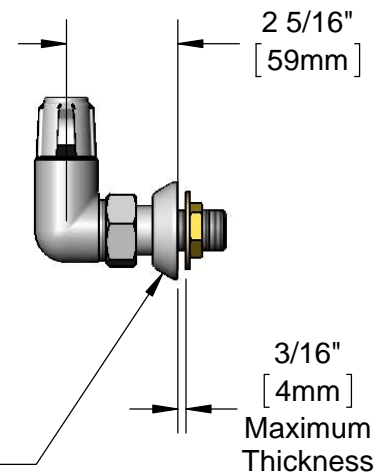
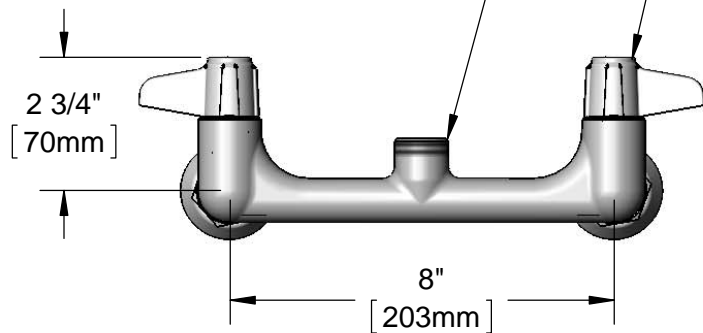
Contractor _____

Architect/Engineer _____



Swivel Outlet Accepts Euro Swing Nozzles.
 Rigid Conversion Requires 014200-45 Lock Washer (Included)

Ceramic Cartridges & Euro Lever Handles w/ Color Coded Screws



Rough-In Requirement:
 (2) ϕ 1" [25mm] Mounting Holes

Product Specifications:
 8" Wall Mount Mixing Faucet, Ceramic Cartridges, Euro Lever Handles & 1/2" NPT Male Inlets, Less Nozzle

Product Compliance:
 WRAS Approved Product (UK)



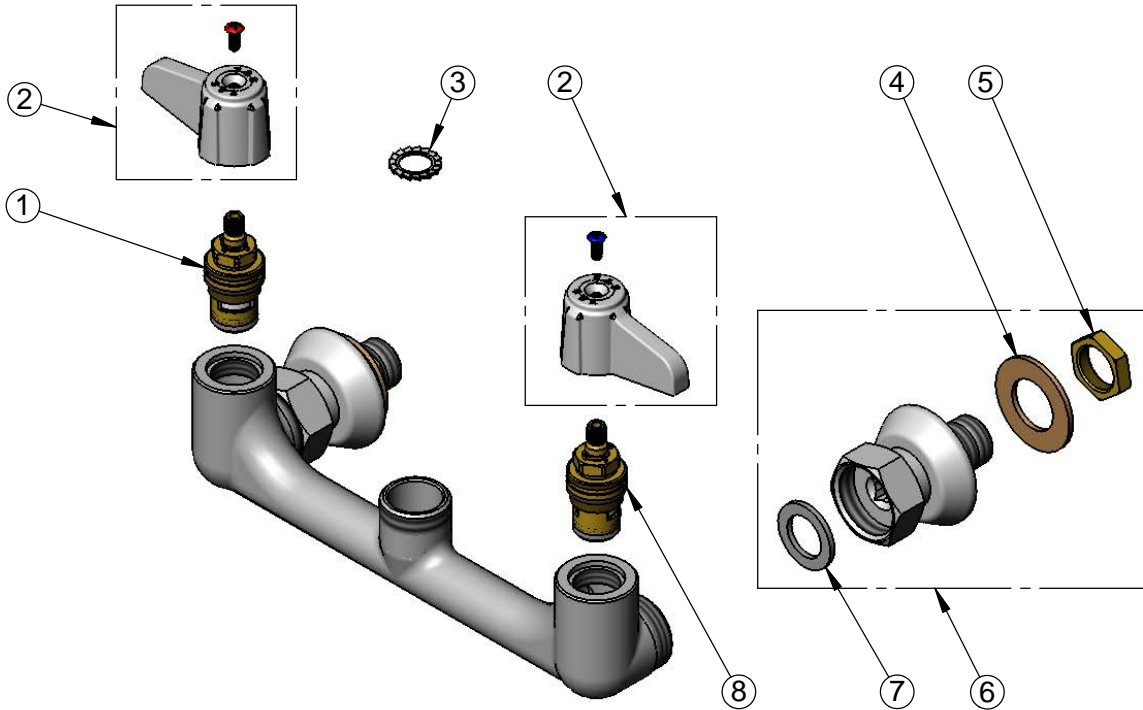
T&S BRASS AND BRONZE WORKS, INC.
 2 Saddleback Cove / P.O. Box 1088
 Travelers Rest, SC 29690

Model No.
UK-8WF00-EE

Item No.

Travelers Rest, SC: 800-476-4103 • Simi Valley, CA: 800-423-0150 • Fax: 864-834-3518 • www.tsbrass.com

ITEM NO.	SALES NO.	DESCRIPTION
1	013787-45	Equip Ceramic Cartridge, RTC
2	E-HDL-L	Euro Lever Handle w/ Color Coded Screws
3	014200-45	Star Washer, Anti-Rotation
4	000999-45	Brass Lock Washer
5	002954-45	Shank Lock Nut
6	00EE	1/2" NPT Male Inlet w/ Adjustable Flange
7	001019-45	Coupling Nut Washer
8	013788-45	Equip Ceramic Cartridge, LTC



Product Specifications:
 8" Wall Mount Mixing Faucet, Ceramic Cartridges, Euro Lever Handles
 & 1/2" NPT Male Inlets, Less Nozzle

Product Compliance:
 WRAS Approved Product (UK)