



First Choice
Group

SPARE PARTS DIAGRAM FOR



HOSHIZAKI

Ice Machine
AM-75AE

First Choice Group
Blakeney Way, Kingswood Lakeside
Cannock, Staffs, WS11 8LD
TEL: 01543 577778 FAX: 01543504141
Email: enquires@firstchoice-cs.co.uk
Web: www.firstchoice-cs.co.uk

NO. 17EB-2610

ISSUED: OCT.2003

REVISED: APR.2007



**HOSHIZAKI
SELF-CONTAINED CUBER
(OPEN CELL TYPE)**

MODEL AM-75AE

PARTS LIST
[HE, CHINA, AUSTRALIA]

N-2 SEP. 2003
P-1 JAN. 2004
P-2 MAR. 2004
P-3 JUL. 2004
Q-0 DEC. 2004
R-0 DEC. 2005
S-0 JAN. 2007

MATERIAL ABBREVIATIONS

ALUMINUM

AL = Aluminum

COPPER

CU = Copper

PLASTIC

ABS = Acrylonitrile-butadiene-styrene
AC = Polyacetal
EVA = Ethylene vinyl acetate
PA = Polyamide = Nylon
PC = Polycarbonate
PE = Polyethylene
PES = Polyester
PETP = Polyethylene terephthalate = Teflon
PP = Polypropylene
PS = Polystyrene
PTFE = Polytetrafluoroethylene = Teflon
PUR = Polyurethane
PVC = Polyvinyl chloride

RUBBER

VN = Vinyl Nitrile
EPDM = EP rubber
NBR = Nitrile butadiene rubber
NR = Natural rubber
NP = Neoprene
SI.R = Silicone rubber
SY.R = Synthetic rubber
EPH = Epichlorohydrin

STEEL

GS = Galvanized steel
SS = Stainless steel
PS = Plated steel
PAS = Primed steel

AUXILIARY CODE

K-0

Designates the year. "K" indicates the year 2000. Years progress or regress in alphabetical order. "J" is 1999, "L" is 2001, "M" is 2002, and so on. The letters "I" and "O" were skipped.

Designates significant part changes within the same year. Base is 0 and this number advances for each change.

Example: P-1

"P" indicates 2004.

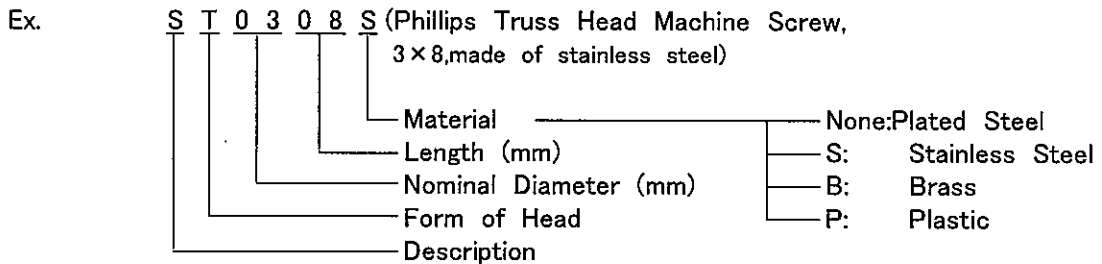
"1" indicates the first significant part change for 2004.

MARKS LOCATED UNDER THE AUXILIARY CODE

- = Part deleted.
- x = Part deleted and replaced by "o" part.
- o = New part in place of "x" part.

FASTENER ABBREVIATION LIST

ST	=	Phillips Truss Head Machine Screw
SP	=	Phillips Pan Head Machine Screw
SF	=	Phillips Flat Head Machine Screw
SS	=	Phillips Pan Head Machine Screw with Split Lock Washer
SW	=	Phillips Pan Head Machine Screw with Split Lock Washer and Flat Washer
T1	=	Phillips Truss Head Tapping Screw (Correspond to Type A)
T2	=	Phillips Truss Head Tapping Screw (Correspond to Type B)
T3	=	Phillips Truss Head Tapping Screw (Correspond to Type C)
FT	=	Phillips Truss Head Tapping Screw (Special)
BH	=	Hexagon Head Bolt
BC	=	Socket Head Cap Screw
BS	=	Hexagon Bolt with Split Washer
BW	=	Hexagon Bolt with Split Washer and Flat Washer
BF	=	Hexagon Flange Bolt
BR	=	Cross-Recessed Hexagon Head Bolt
BRW	=	Cross-Recessed Hexagon Head Bolt with Split Lock Washer and Flat Washer
WL	=	Split Lock Washer
WT	=	External Tooth Washer
WF	=	Flat Washer
WS	=	Spring Washer
NH	=	Hexagon Nut
NF	=	Hexagon Flange Nut
NC	=	Hexagon Cap Nut
NS	=	Square Nut
NW	=	Wing Nut



(Note) Second character is numerical except the list.
Ex: S1, S2, B3 etc.

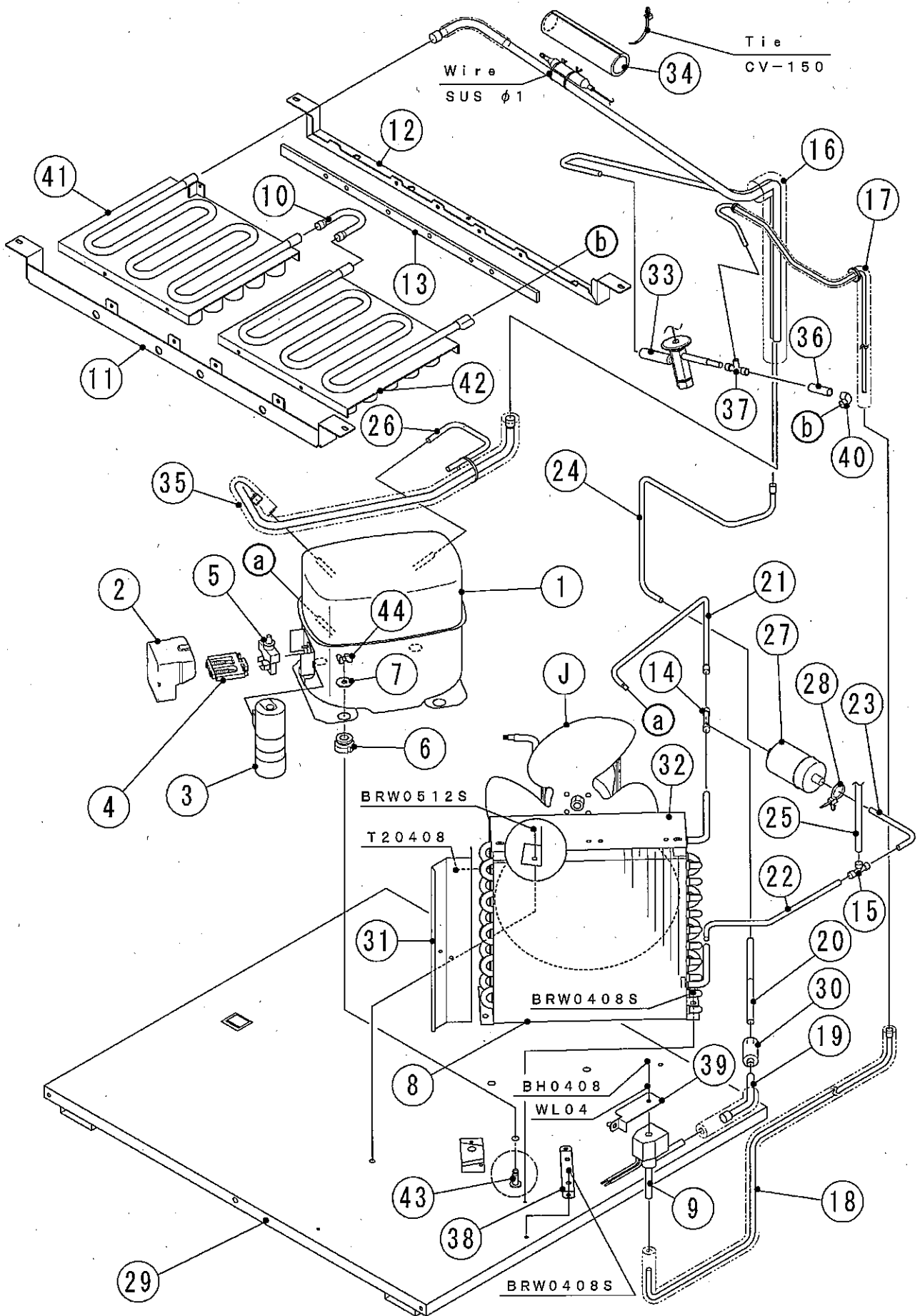
And abbreviations and names are shown under the illustration.

HE,CHINA,AUSTRALIA

MODEL : AM-75AE				TITLE : A. ICE CUBER ASSY			
INDEX NO.	DESCRIPTION	MATERIAL OR MODEL NUMBER	PART NUMBER	REQ'D NUMBER			
				N-2	P-1	P-2	P-3 Q-0 R-0 S-0
B	REFRIGERATION ASSY	-	1H2928A01	1	1	1	1
C	ICE MAKING MECHANISM ASSY	-	1H2809A02	1	1	1	1
D	CONTROL BOX ASSY	-	2H6289A02	1	1	1	1
E	DOOR ASSY	-	3X7242A01	1	1	1	1
F	WATER CIRCUIT ASSY	HE	3X7235A02	1	1	1	1
		CHINA , AUSTRALIA	3Y0568A02				1
G	LABEL LOCATION	-	3X8096A01	1	1	1	1
H	THERMOSTAT ASSY	-	3X8028A02	1	1	1	1
1	UNIT FRAME	-	1H2786G02	1	1	1	1
2	TOP PANEL	S.S	2H5925G01	1	1	1	-
		S.S	2H6682-01				1
3	INSULATION - TOP PANEL	STYROL	4Y0775-01	1	1	1	1
4	COVER - TOP PANEL	ABS	2H6652-01	1	1	1	1
5	-	-	-				
6	FRONT PANEL - LOWER	S.S	3X7243G01	1	1	1	1
7	REAR PANEL	G.S	3X7126-01	1	1	1	1
8	INSULATION(A)	PE	4Y1359-01	1	1	1	1
9	FRONT FRAME	S.S	3X7244-02	1	1	1	-
		S.S	3X7244-03				1
10	INSULATION - FRONT FRAME	PE	4Y0792-02	1	1	1	1
11	COVER - PIPE	G.S	3X7127-01	1	1	1	1
12	COVER - TOP	G.S	4Y0774-01	1	1	1	1
13	HINGE (R)	S.S	4H2583-01	1	1	1	1
14	HINGE (L)	S.S	4H2584-01	1	1	1	1
15	DRAIN PAN	ABS	2H4534-01	1	1	1	1
16	THUMB SCREW	ABS,S.S	415949G08	1	1	1	1
17	DRAIN JOINT HOSE	SI.R	4H2585-01	1	1	1	1
18	DRAIN HOSE	PVC	4Y0896-01	1	1	1	1
19	SLOPE	ABS	3X7135G01	1	1	1	1
20	TAPER COLLAR	S.S	4H0171-01	2	2	2	2
21	HOOK	S.S	4Y0884-01	1	1	1	1
22	SPRING	ZINC-PLATED WIRE	4H0823-01	1	1	1	1
23	AIR FILTER	PP	332631G01	1	1	1	1

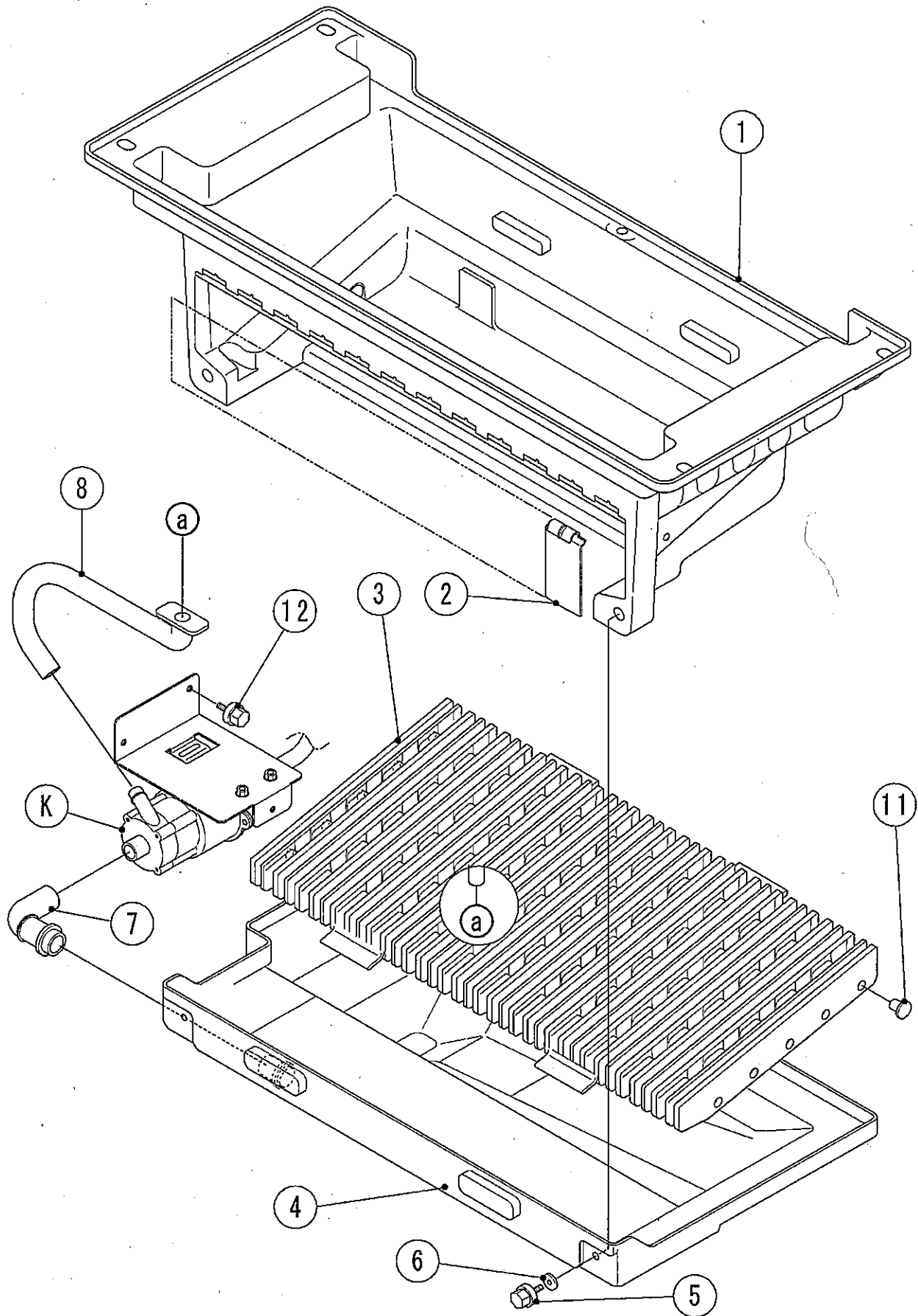
HE,CHINA,AUSTRALIA

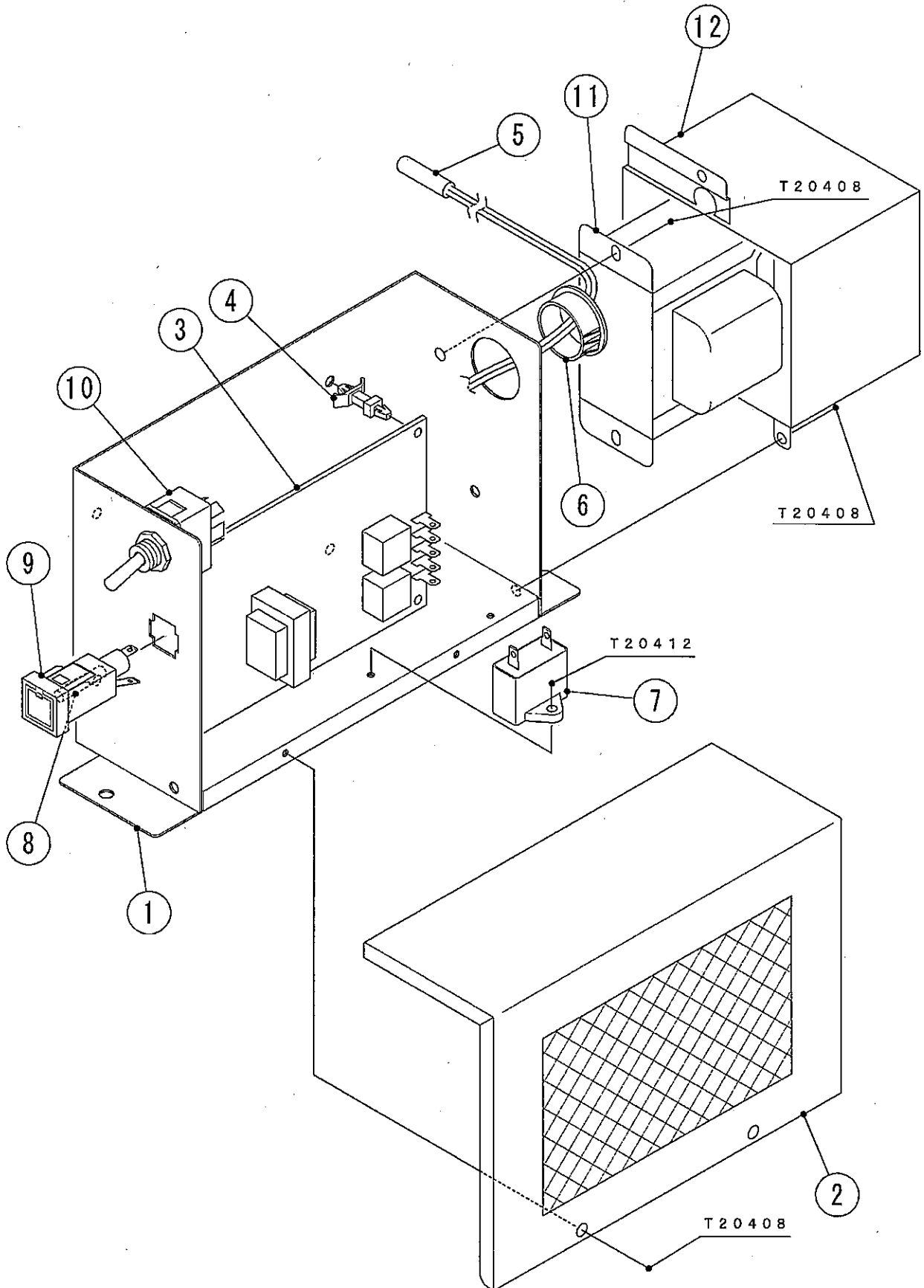
MODEL : AM-75AE		TITLE : A. ICE CUBER ASSY					
INDEX NO.	DESCRIPTION	MATERIAL OR MODEL NUMBER	PART NUMBER	REQ'D NUMBER			
				N-2	P-1	P-2	P-3 Q-0 R-0 S-0
24	POWER SUPPLY CORD	CONT. , CHINA	4Y1493G01	1	1	1	1
		UK	4Y1604G01	1	1	1	1
		AUSTRALIA	4Y1493G02				1
25	BUSHING	SR-6P-10	448949-01	1	1	1	1
26	HOLDER - THERMOSTAT	PE	3X6381-01	1	1	1	1
27	THUMB SCREW	ABS,S.S	4X3591G05	4	4	4	4
28	INSULATION - UNIT FRAME	PE	4Y0885-01	1	1	1	1
29	WIRE RETAINER	4253	427902-05	1	1	1	1
30	SPACER - MECHANISM BASE	S.S	4Y0860-01	4	4	4	4
31	HOLDER - THERMISTOR	PE	3H9642-01	1	1	1	1
32	BRACKET - BR	S.S	4Y0788G01	2	2	2	2
33	INSULATION (B)	PE	4Y1360-01	1	1	1	1
34	INSULATION-COUER (A)	PE	4Y1334-01	1	1	1	1
35	INSULATION-COUER (C)	PE	4Y1334-03	2	2	2	2
36	BRACKET - THERMO HOLDER	ABS	4Y1930G01		1	1	1
37	THUMB SCRER	ABS,S.S	4X3591G05		2	2	2

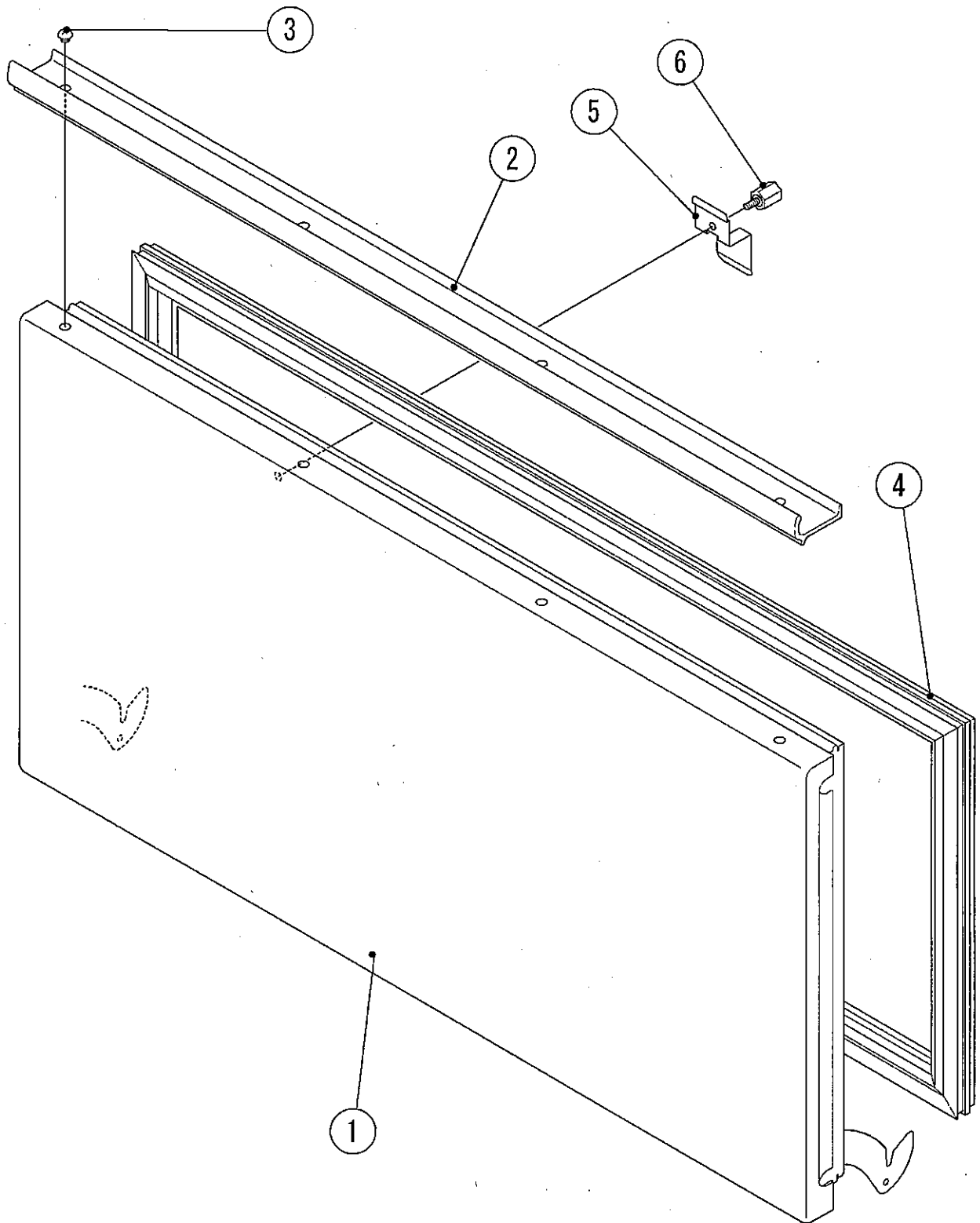


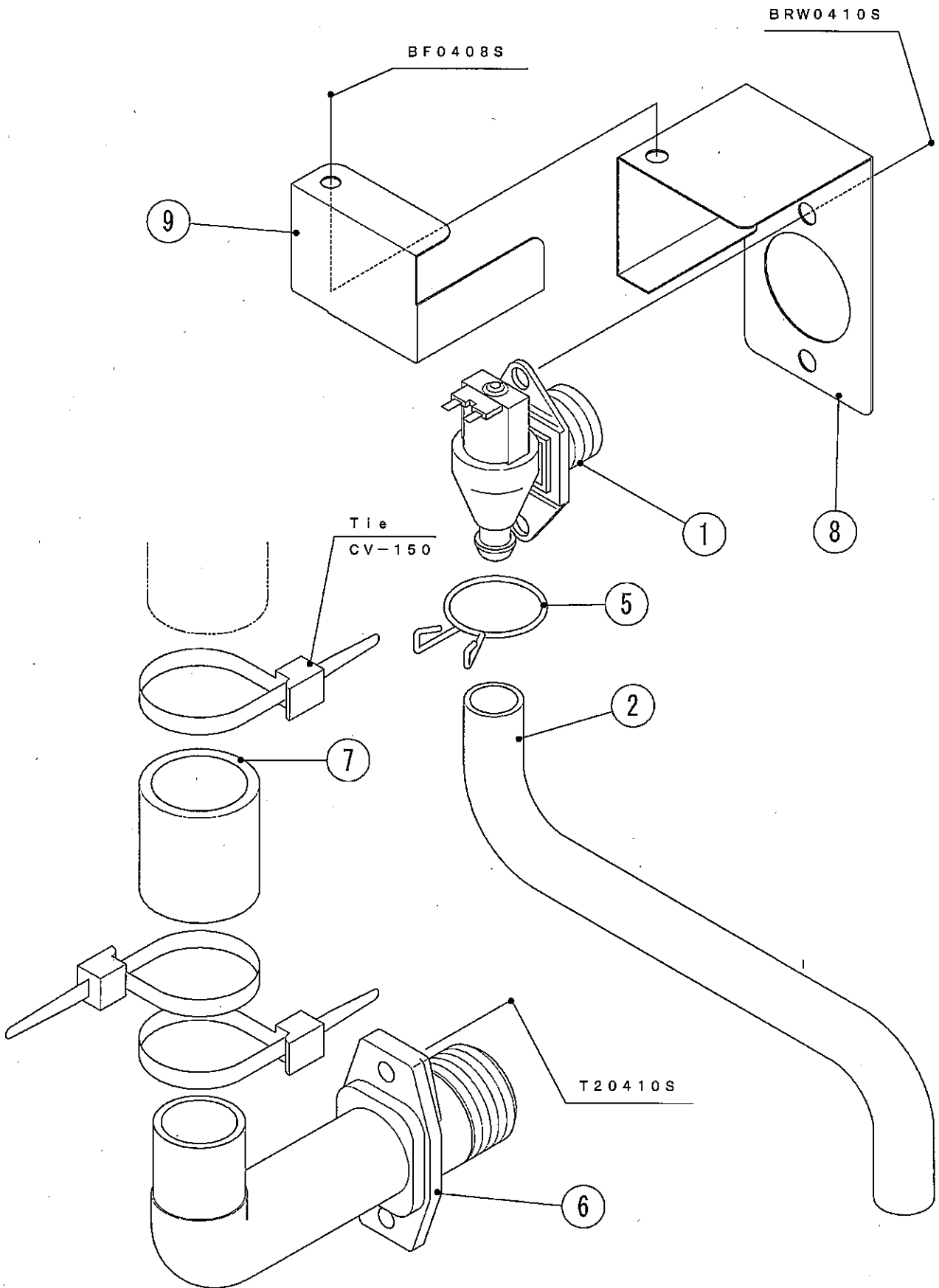
HE,CHINA,AUSTRALIA

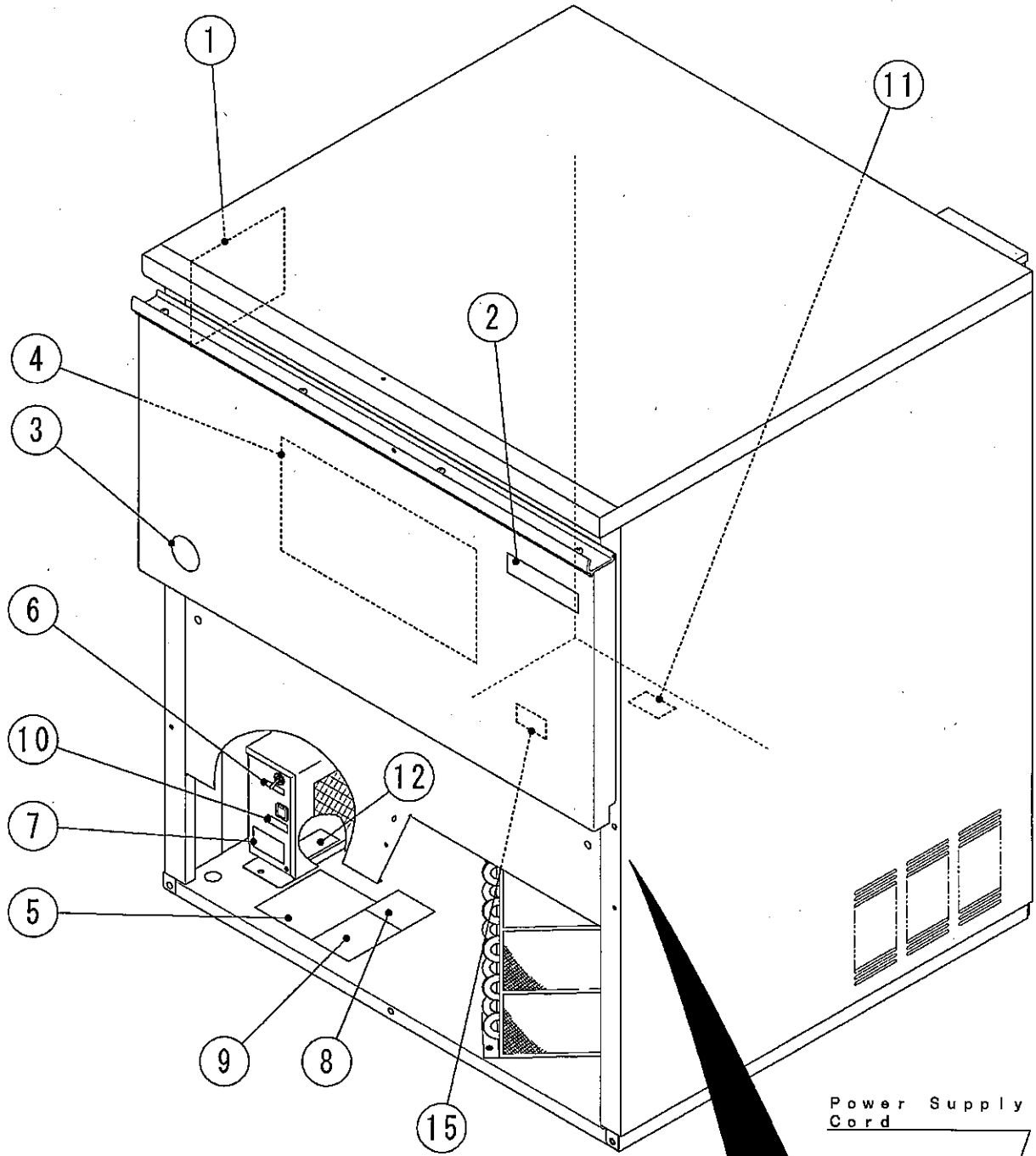
MODEL : AM-75AE		TITLE : B. REFRIGERATION ASSY					
INDEX NO.	DESCRIPTION	MATERIAL OR MODEL NUMBER	PART NUMBER	REQ'D NUMBER			
				N-2	P-1	P-2	P-3 Q-0 R-0 S-0
J	FAN MOTOR ASSY	-	3X7240A02	1	1	1	1
1	COMPRESSOR	SC-18G	452236-01	1	1	1	1
2	COVER	103N2009	459924-01	1	1	1	1
3	STARTING CAPACITOR	117U5019	456350-01	1	1	1	1
4	CORD-RELIEF	103N1004	452239-01	1	1	1	1
5	STARTER	117U6019	452237-01	1	1	1	1
6	GROMMET	118-3655	450897-01	4	4	4	4
7	WASHER	112-2053	450894-01	4	4	4	4
8	CONDENSER	-	203881-01	1	1	1	1
9	SOLENOID VALVE	ATS-7S10HD-1	418636-02	1	1	1	1
10	COPPER TUBE(A) - JOINT	COPPER	4Y0766-01	1	1	1	1
11	BRACKET - EVA(F)	S.S	3X7118-01	1	1	1	1
12	BRACKET - EVA(R)	S.S	3X7119-01	1	1	1	1
13	RUBBER - EVA	SI.R	4Y0874-01	1	1	1	1
14	TEE	COPPER	420041-11	1	1	1	1
15	TEE	COPPER	417394-01	1	1	1	1
16	HEAT EXCHANGER	COPPER	3X7123G01	1	1	1	1
17	COPPER TUBE(A) - HOT GAS	COPPER	3X8026G01	1	1	1	1
18	COPPER TUBE(B) - HOT GAS	COPPER	4Y1496G01	1	1	1	1
19	COPPER TUBE(C) - HOT GAS	COPPER	4Y1497G01	1	1	1	1
20	COPPER TUBE(D) - HOT GAS	COPPER	4Y1498-01	1	1	1	1
21	COPPER TUBE(A) - HIGH SIDE	COPPER	4Y1499-01	1	1	1	1
22	COPPER TUBE(B) - HIGH SIDE	COPPER	4Y1500-01	1	1	1	1
23	COPPER TUBE(C) - HIGH SIDE	COPPER	4Y1501-01	1	1	1	1
24	COPPER TUBE(D) - HIGH SIDE	COPPER	3X8031-01	1	1	1	1
25	PROCESS TUBE(A)	COPPER	4Y0875-01	1	1	1	1
26	PROCESS TUBE(B)	COPPER	4Y1503-01	1	1	1	1
27	DRIER	DML 032S	463542-01	1	1	1	1
28	TIE	T30RSF	436156-01	1	1	1	1
29	BASE	G.S	2H6293G01	1	1	1	1
30	STRAINER	COPPER	430365-02	1	1	1	1
31	PLATE - CONDENSER	G.S	4Y0791-01	1	1	1	1
32	SHROUD	G.S	3H0295-01	1	1	1	1



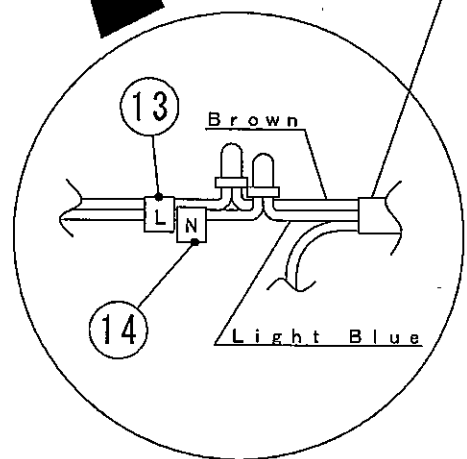


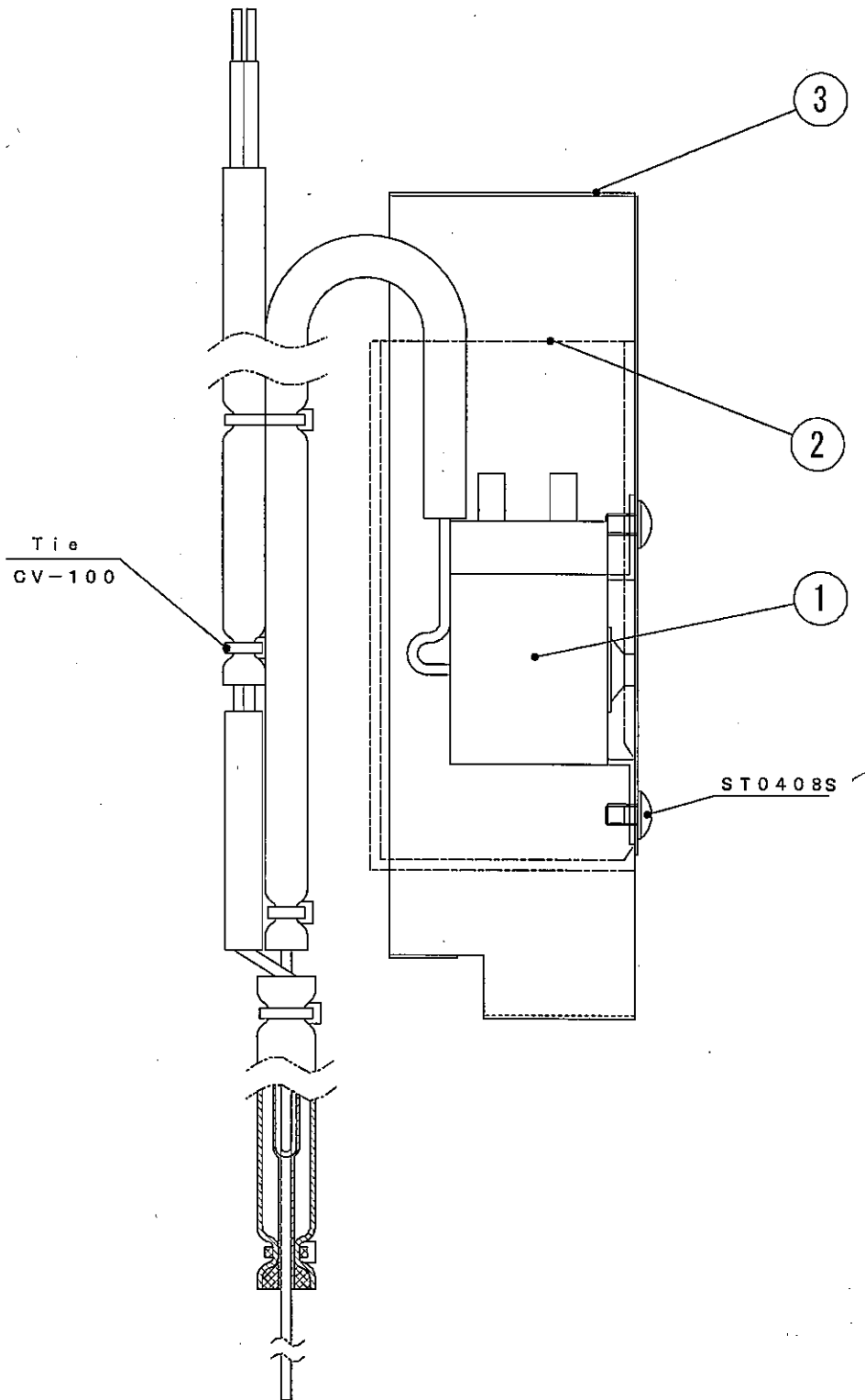


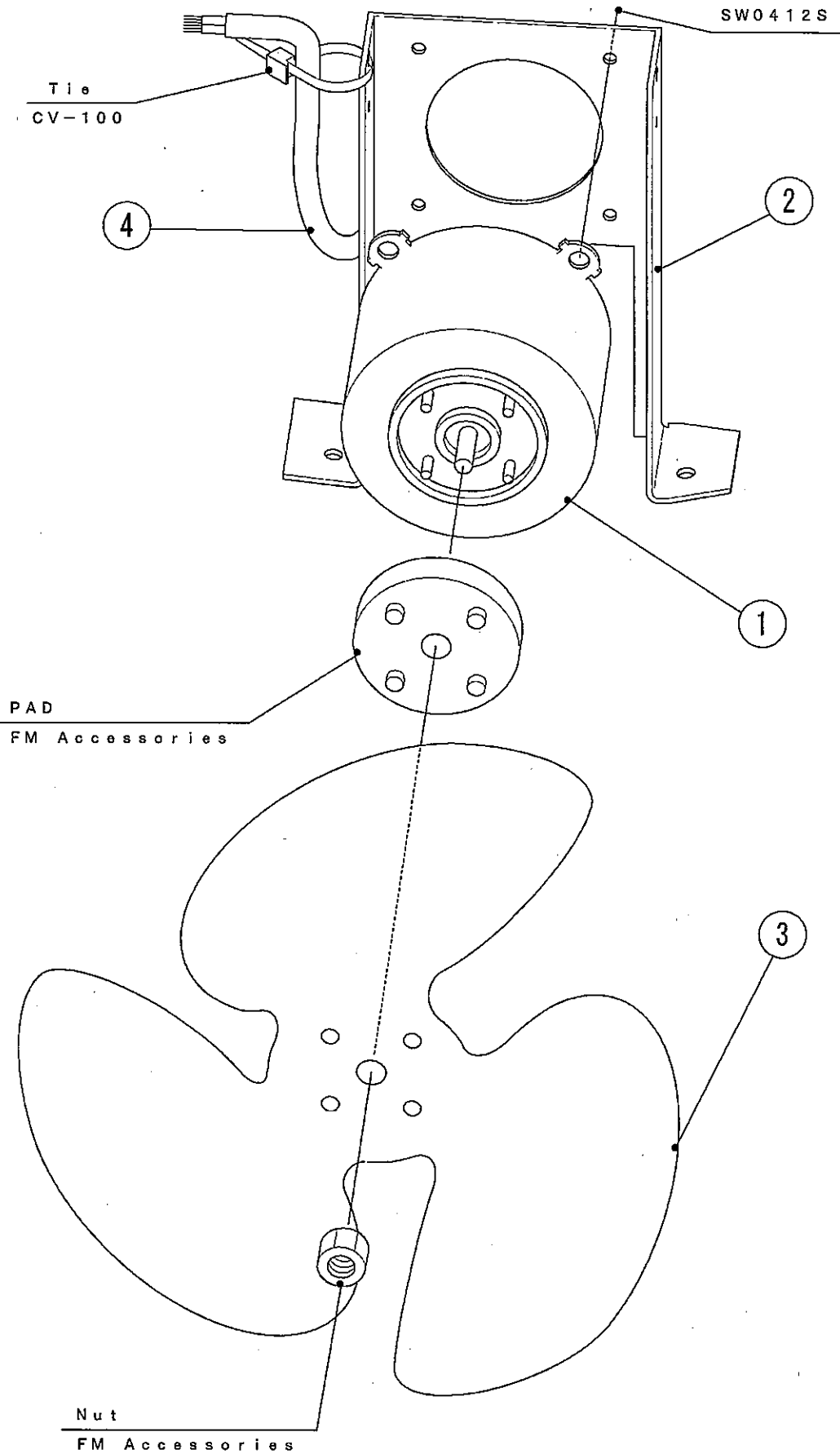


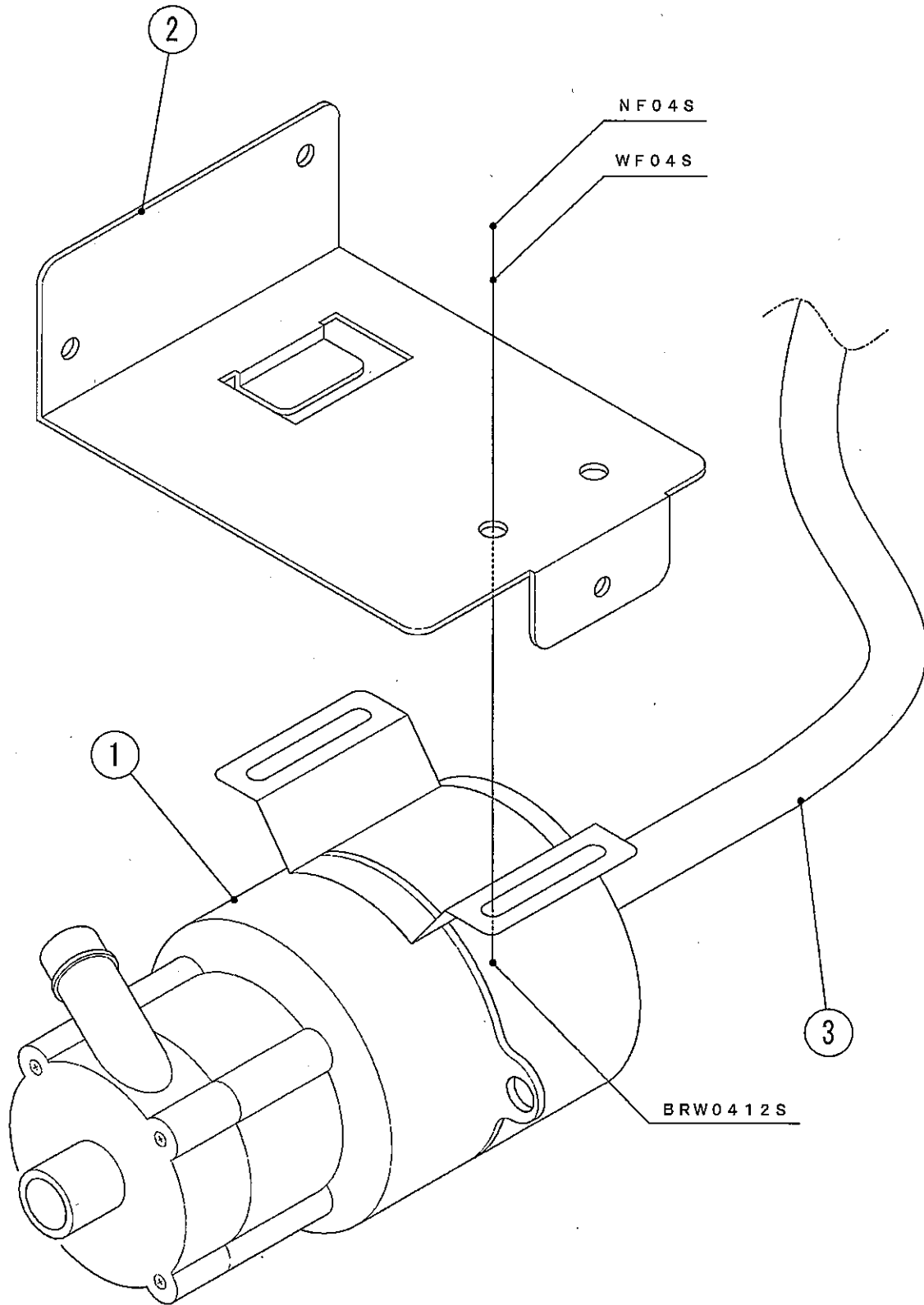


Power Supply
Cord



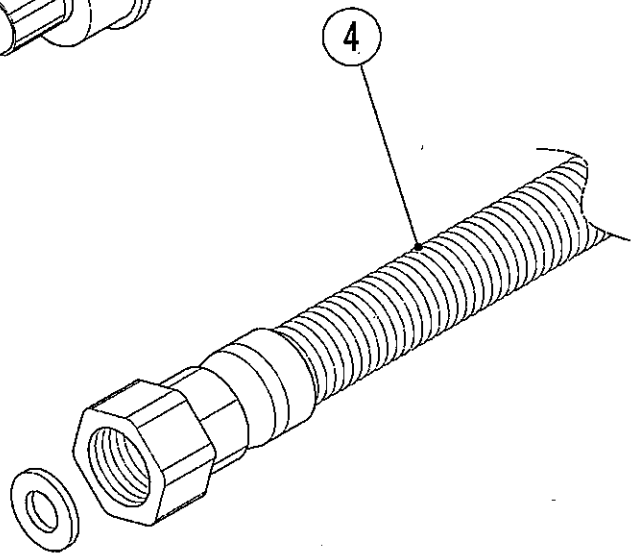
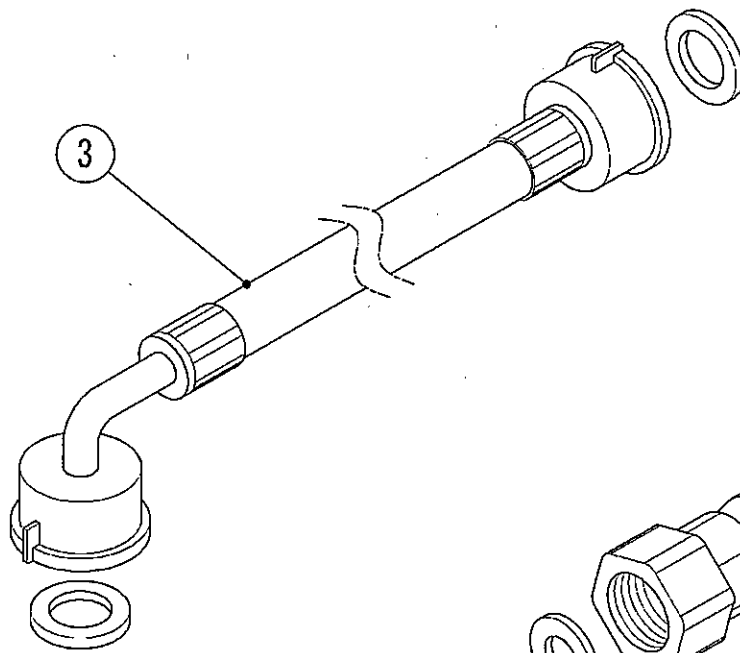
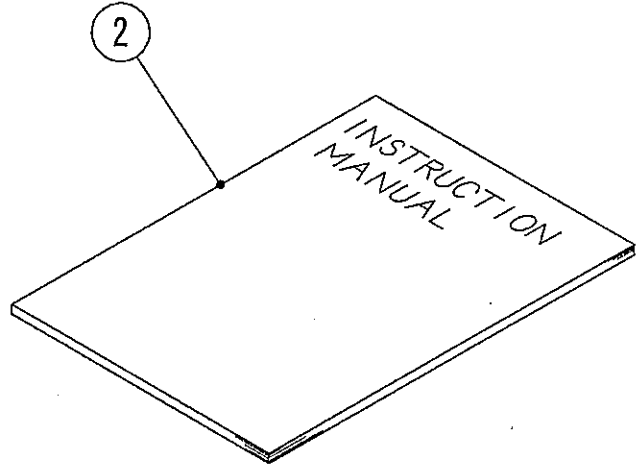
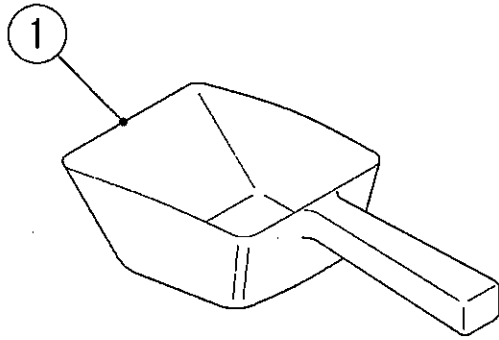






HE,CHINA,AUSTRALIA

MODEL : AM-75AE		TITLE : K. PUMP MOTOR ASSY					
INDEX NO.	DESCRIPTION	MATERIAL OR MODEL NUMBER	PART NUMBER	REQ'D NUMBER			
				N-2	P-1	P-2	P-3 Q-0 R-0 S-0
1	PUMP MOTOR	LMP-25CPA	463997-01	1	1	1	1
2	BRACKET - PUMP MOTOR	S.S	4Y0740-01	1	1	1	1
3	UL TUBE	6/16AWG L=430	4Y0864-06	1	1	1	1



HE,CHINA,AUSTRALIA

MODEL : AM-75AE		TITLE : L. ACCESSORIES					
INDEX NO.	DESCRIPTION	MATERIAL OR MODEL NUMBER	PART NUMBER	REQ'D NUMBER			
				N-2	P-1	P-2	P-3 Q-0 R-0 S-0
1	SCOOP	PE	2H0361-01	1	1	1	1
2	INSTRUCTION MANUAL	PAPER	9117EA20B	1	1	1	1
3	INLET HOSE		450722-01	1	1	1	1
4	OUTLET HOSE		450723-01	1	1	1	1