



First Choice Group

SPARE PARTS DIAGRAM FOR



HOSHIZAKI

Ice Machine

DCM-60KE

DCM-60KE-P

First Choice Group
Blakeney Way, Kingswood Lakeside
Cannock, Staffs, WS11 8LD
TEL: 01543 577778 FAX: 01543504141
Email: enquires@firstchoice-cs.co.uk
Web: www.firstchoice-cs.co.uk



CUBELET ICE DISPENSER

DCM-60KE(-P)

PARTS LIST

[GENERAL]

L013, L013-C101, L013-C201, L013-C301,
L013-C130, L013-C501, L014, L014-C101,
L014-C201, L014-C301, L014-C130, L013-C170,
L013-C171,

B-1 JUN. 2012
B-2 OCT. 2012
B-3 OCT. 2012
C-1 MAY.2013
F-2 JUN. 2016
G-1 FEB. 2017
G-2 APR. 2017
G-3 OCT. 2017
H-0 JAN. 2018
H-1 JAN. 2018
H-2 MAR. 2018

L013-3715 (1218)

List of Specifications

DCM-60KE	L013	CONTINENTAL	50Hz
	L013-C101	UK	50Hz
	L013-C201	OCEANIA	50Hz
	L013-C301	CHINA	50Hz
	L013-C130	MIDDLE EAST	60Hz
	L013-C501	FOR GRAM	50Hz
	L013-C170	SINGAPORE	50Hz
	L013-C171	SINGAPORE	50Hz
DCM-60KE-P	L014	CONTINENTAL	50Hz
	L014-C101	UK	50Hz
	L014-C201	OCEANIA	50Hz
	L014-C301	CHINA	50Hz
	L014-C130	MIDDLE EAST	60Hz

Auxiliary Codes

Auxiliary Code Breakdown

The auxiliary code is the first two characters in the serial number. The first character indicates the year. Years progress or regress in alphabetical order. The series runs from "A" through "V" and the letters "I" and "O" are skipped. The second character indicates significant part changes within a year. Base is "0" and this number advances for each change. In cases where there is a letter in parentheses, this designates the month. This is the last character in the serial number. The series runs from "(A)" through "(M)" and the letter "(I)" is skipped. This designation is only included when identifying a parts change within an auxiliary code.

Note About Ordering Parts

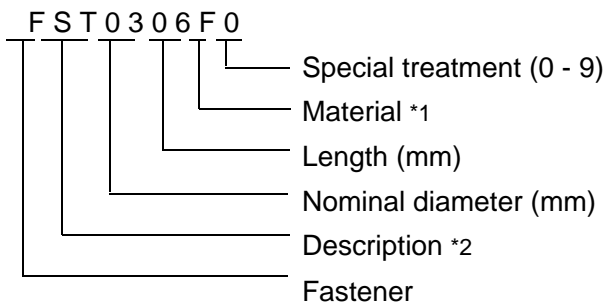
Most assemblies cannot be ordered as complete units; parts in the assemblies generally must be ordered separately.

MARKS LOCATED UNDER THE AUXILIARY CODE

- = Part deleted.

FASTENER PART NUMBER

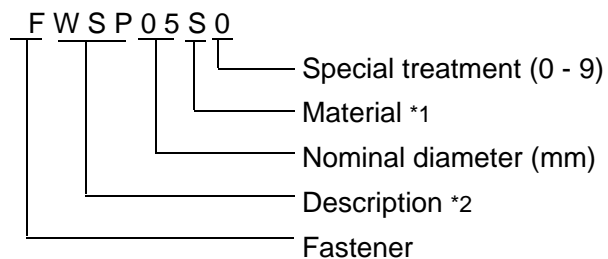
SCREWS



*1 Material

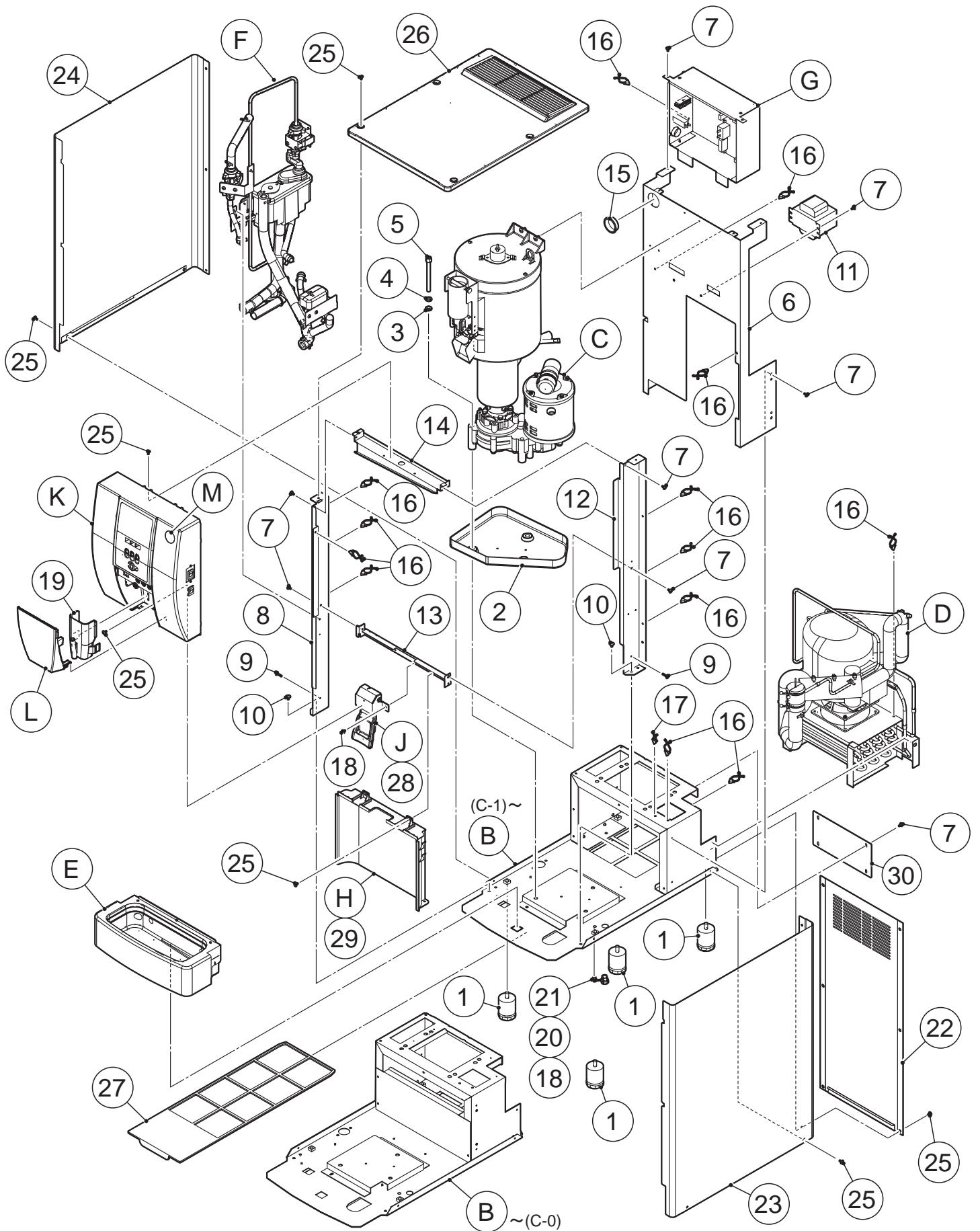
F: Steel
S: Austenitic stainless steel
M: Martensitic stainless steel
B: Copper alloy
P: Polycarbonate
N: Polyamide
V: PVC
A: ABS
X: Polyacetal
L: Aluminum

NUTS & WASHERS



*2 Description

First letter
S: Machine screw
T: Tapping screw
M: Wood screw
B: Bolt
W: Washer
N: Nut



MODEL: **DCM-60KE(-P)**TITLE: **A. ICE CUBER ASSY**

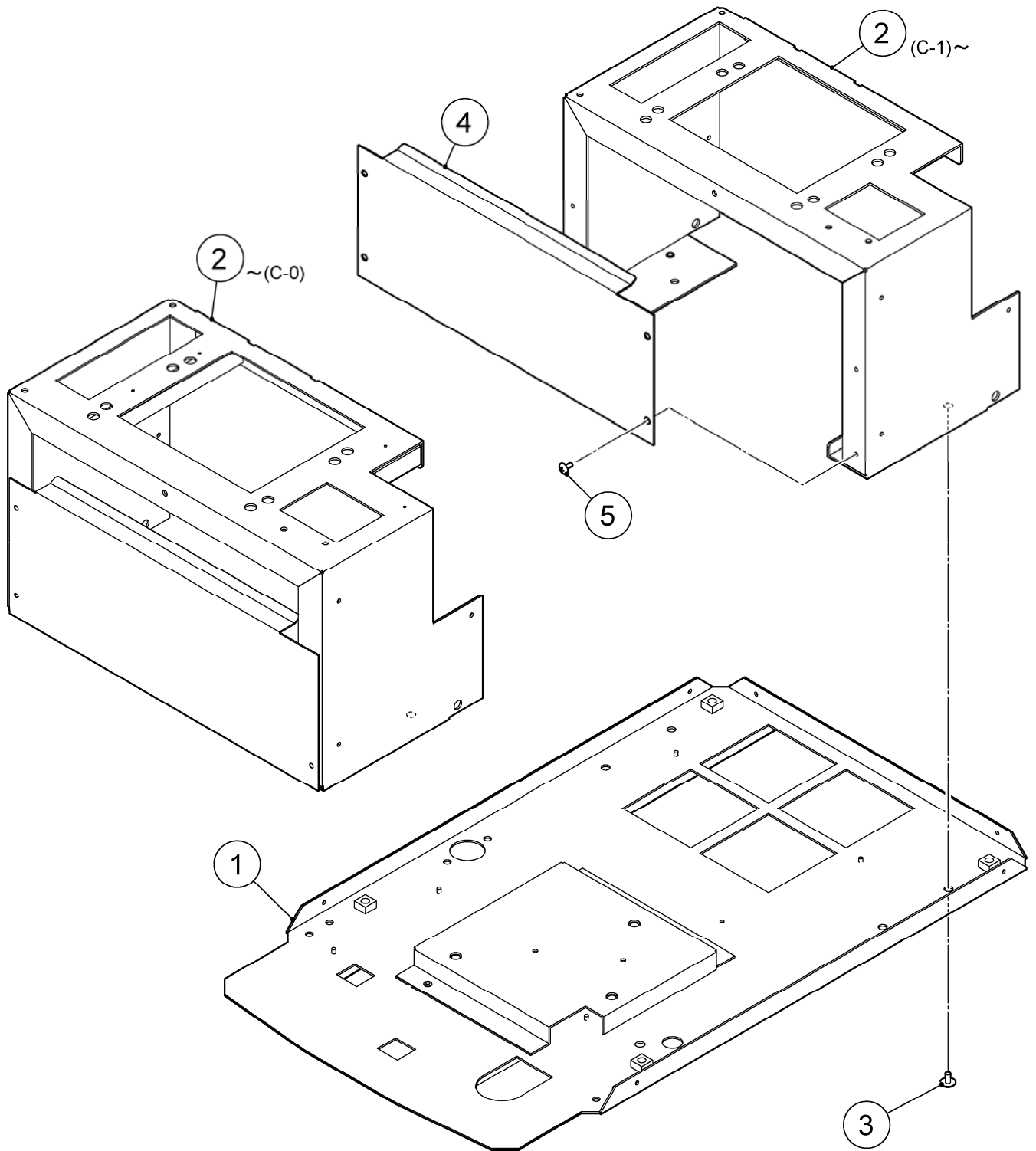
INDEX NO.	DESCRIPTION	MATERIAL OR MODEL NUMBER	PART NUMBER	REQ'D NUMBER							
				B-1	B-2	B-3 C-0	C-1 F-1	F-2 G-0	G-1	G-2	
B	BASE ASSY		376453A01	1	-	-	-	-	-	-	-
			377813A01	-	1	1	-	-	-	-	-
			379014A01	-	-	-	1	1	1	1	1
C	ICE MAKING UNIT		262218A01	1	1	1	1	1	1	1	
D	REFRIGERATION CIRCUIT		121902A01	1	1	1	1	1	1	-	-
			121902A02	-	-	-	-	-	-	1	1
		MIDDLE EAST	121902001	1	1	1	1	1	1	-	-
		MIDDLE EAST	121902002	-	-	-	-	-	-	1	1
E	DRAIN PANEL ASSY		374966A01	1	1	1	1	1	1	1	
F	WATER CIRCUIT		121904A01	1	1	1	1	1	1	1	
G	CONTROL BOX ASSY		262214A03	1	1	1	1	1	1	1	1
		DCM-60KE-P	262214A04	1	1	1	1	1	1	1	1
H	FRONT PANEL ASSY - 60LO	DCM-60KE	374977A01	1	1	1	1	1	1	1	
J	LEVER - UNIT	DCM-60KE	262217A02	1	1	1	1	1	1	1	
K	FRONT PANEL (UP)		121905A01	1	1	1	1	1	1	1	
L	FRONT COVER		374962A01	1	1	1	1	1	1	1	
M	LABEL LOCATION		122030A01	1	1	1	1	1	1	1	1
		DCM-60KE MIDDLE EAST	122030001	1	1	1	1	1	1	1	1
		DCM-60KE-P	122030A02	1	1	1	1	1	1	1	1
		DCM-60KE-P MIDDLE EAST	122030002	1	1	1	1	1	1	1	1
T	ACCESSORIES		A02554-01	1	1	1	1	1	1	1	1
		CHINA	A02554001	1	1	1	1	1	1	1	1
1	LEG		458051-02	4	4	4	4	4	4	4	4
2	DRAIN PAN - GM		259846P01	1	1	1	1	1	1	1	1
3	SEAL WASHER		458299-01	3	3	3	3	3	3	3	3
4	SPRING WASHER		FWSP08S0	3	3	3	3	3	3	3	3
5	SCREW - M8		458298-02	3	3	3	3	3	3	3	3
6	PLATE		121903M01	1	-	-	-	-	-	-	-
			122416M01	-	1	1	1	1	1	1	1
7	TRUSS HEAD SCREW		FST0408F0	14	15	15	19	19	19	19	

MODEL: **DCM-60KE(-P)**TITLE: **A. ICE CUBER ASSY**

INDEX NO.	DESCRIPTION	MATERIAL OR MODEL NUMBER	PART NUMBER	REQ'D NUMBER						
				B-1	B-2	B-3 C-0	C-1 F-1	F-2 G-0	G-1	G-2
8	FRAME (L)		262222M01	1	-	-	-	-	-	-
			264000M01	-	1	1	1	1	1	1
9	TRUSS HEAD TAPPING SCREW T1		FT10416F0	2	-	-	-	-	-	-
	TRUSS HEAD TAPPING SCREW T2		FT20416F0	-	2	2	2	2	2	2
10	TRUSS HEAD SCREW		FST0508F0	4	4	4	4	4	4	4
11	TRANSEFOMER		P02552-01	1	1	1	1	1	1	1
12	FRAME (R)		263225M01	1	-	-	-	-	-	-
			263999M01	-	1	1	1	1	1	1
13	CENTER FRAME		376454M01	1	-	-	-	-	-	-
			377811M01	-	1	1	1	1	1	1
14	TOP FRAME		376455M01	1	1	1	1	1	1	1
15	BUSHING		420470-06	1	1	1	1	1	1	1
16	WIRE RETAINER	No.4253	427902-05	14	14	14	14	14	14	14
17	CLAMP	No.248	427902-04	2	2	2	2	2	2	2
18	PAN HEAD SCREW SW		FSK0408S0	3	3	3	3	3	3	3
19	SPOUT		259891P01	1	1	1	1	1	1	1
20	POWER CORD	CONT Plug	P02697-01	1	1	1	1	1	1	1
		UK & MIDDLE EAST	P02698-01	1	1	1	1	1	1	1
		OCEANIA	P02760-01	1	1	1	1	1	1	1
	POWER SUPPLY CORD	CHINA	P00193-01	1	1	1	1	1	1	1
21	BUSHING		448949-01	1	1	1	1	1	1	1
22	REAR PANEL		121906M01	1	1	1	1	1	1	1
23	SIDE PANEL (R)		121907M01	1	1	1	1	1	1	1
24	SIDE PANEL (L)		121908M01	1	1	1	1	1	1	1
25	TRUSS HEAD SCREW P		FSG0408S0	19	19	19	19	19	19	19
26	TOP PANEL - 115		121228P01	1	1	1	1	1	1	1
27	AIR FILTER		341489G01	1	1	1	1	1	1	1
28	BRACKET - BOTTON	DCM-60KE-P	376725M01	1	1	1	1	1	1	1
29	FRONT PANEL (L01) - 60AD	DCM-60KE-P	376810G01	1	1	1	1	1	1	1
30	BACK PLATE		379018M01	-	-	-	1	1	1	1

MODEL: **DCM-60KE(-P)**TITLE: **A. ICE CUBER ASSY**

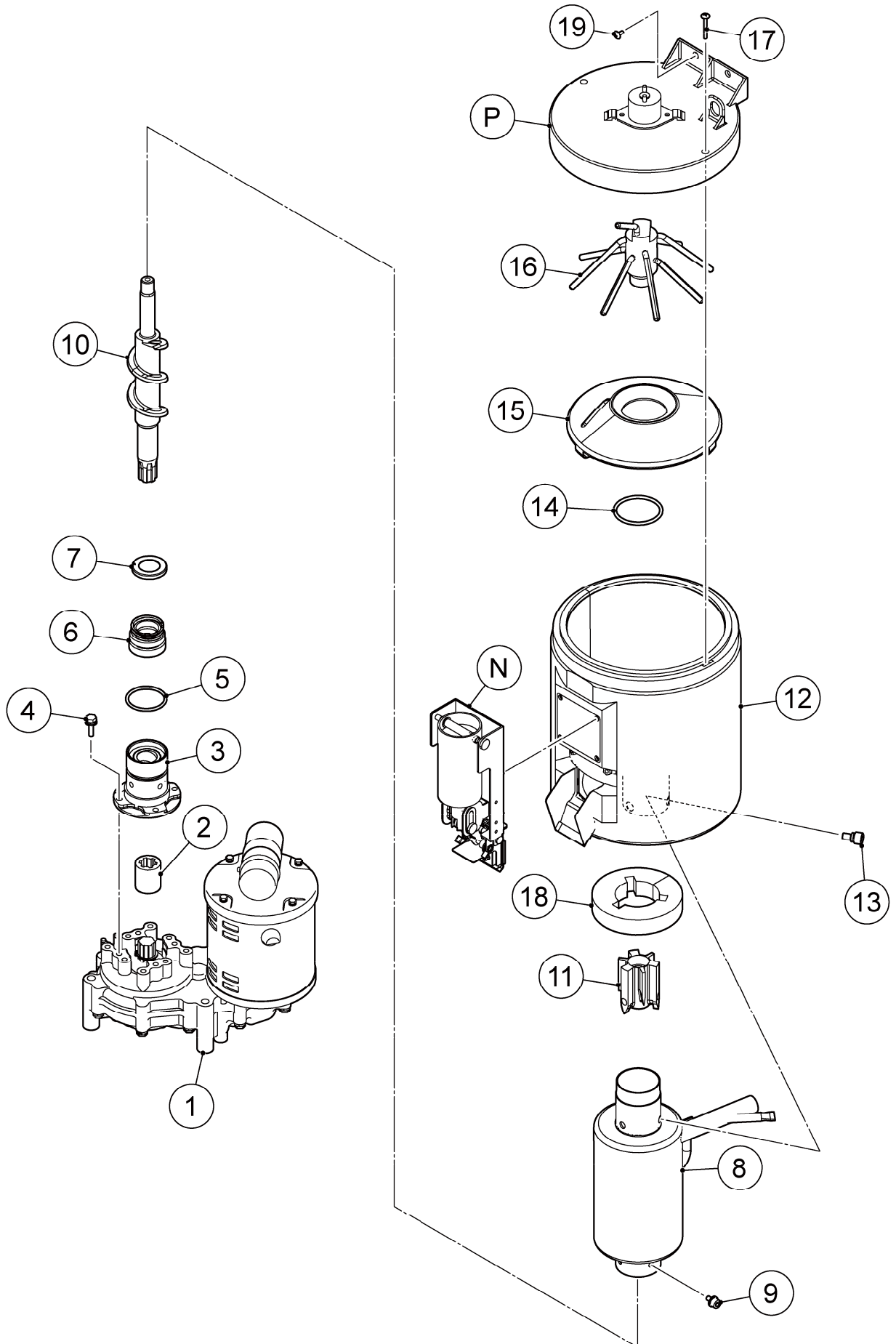
INDEX NO.	DESCRIPTION	MATERIAL OR MODEL NUMBER	PART NUMBER	REQ'D NUMBER						
				G-3	H-0	H-1	H-2			
B	BASE ASSY		379014A01	1	1	1	1			
C	ICE MAKING UNIT		262218A01	1	1	1	1			
D	REFRIGERATION CIRCUIT		121902A02	1	1	1	1			
		MIDDLE EAST	121902002	1	1	1	1			
E	DRAIN PANEL ASSY		374966A01	1	1	1	1			
F	WATER CIRCUIT		121904A01	1	1	1	1			
		SINGAPORE	127148A01	-	-	-	1			
G	CONTROL BOX ASSY		262214A03	1	1	1	1			
		DCM-60KE-P	262214A04	1	1	1	1			
H	FRONT PANEL ASSY - 60LO	DCM-60KE	374977A01	1	1	1	1			
J	LEVER - UNIT	DCM-60KE	262217A02	1	1	1	1			
K	FRONT PANEL (UP)		121905A01	1	1	1	1			
L	FRONT COVER		374962A01	1	1	1	1			
M	LABEL LOCATION		122030A01	1	1	1	1			
		DCM-60KE MIDDLE EAST	122030001	1	1	1	1			
		DCM-60KE-P	122030A02	1	1	1	1			
		DCM-60KE-P MIDDLE EAST	122030002	1	1	1	1			
		SINGAPORE	122030004	-	-	-	1			
T	ACCESSORIES		A02554-01	1	1	1	1			
		CHINA	A02554001	1	1	1	1			
1	LEG		458051-02	4	4	4	4			
2	DRAIN PAN - GM		259846P01	1	1	1	1			
3	SEAL WASHER		458299-01	3	3	3	3			
4	SPRING WASHER		FWSP08S0	3	3	3	3			
5	SCREW - M8		458298-02	3	3	3	3			
6	PLATE		122416M01	1	1	1	1			
7	TRUSS HEAD SCREW		FST0408F0	19	19	19	19			
8	FRAME (L)		264000M01	1	1	1	1			
9	TRUSS HEAD TAPPING SCREW T2		FT20416F0	2	2	2	2			
10	TRUSS HEAD SCREW		FST0508F0	4	4	4	4			



MODEL: **DCM-60KE(-P)**

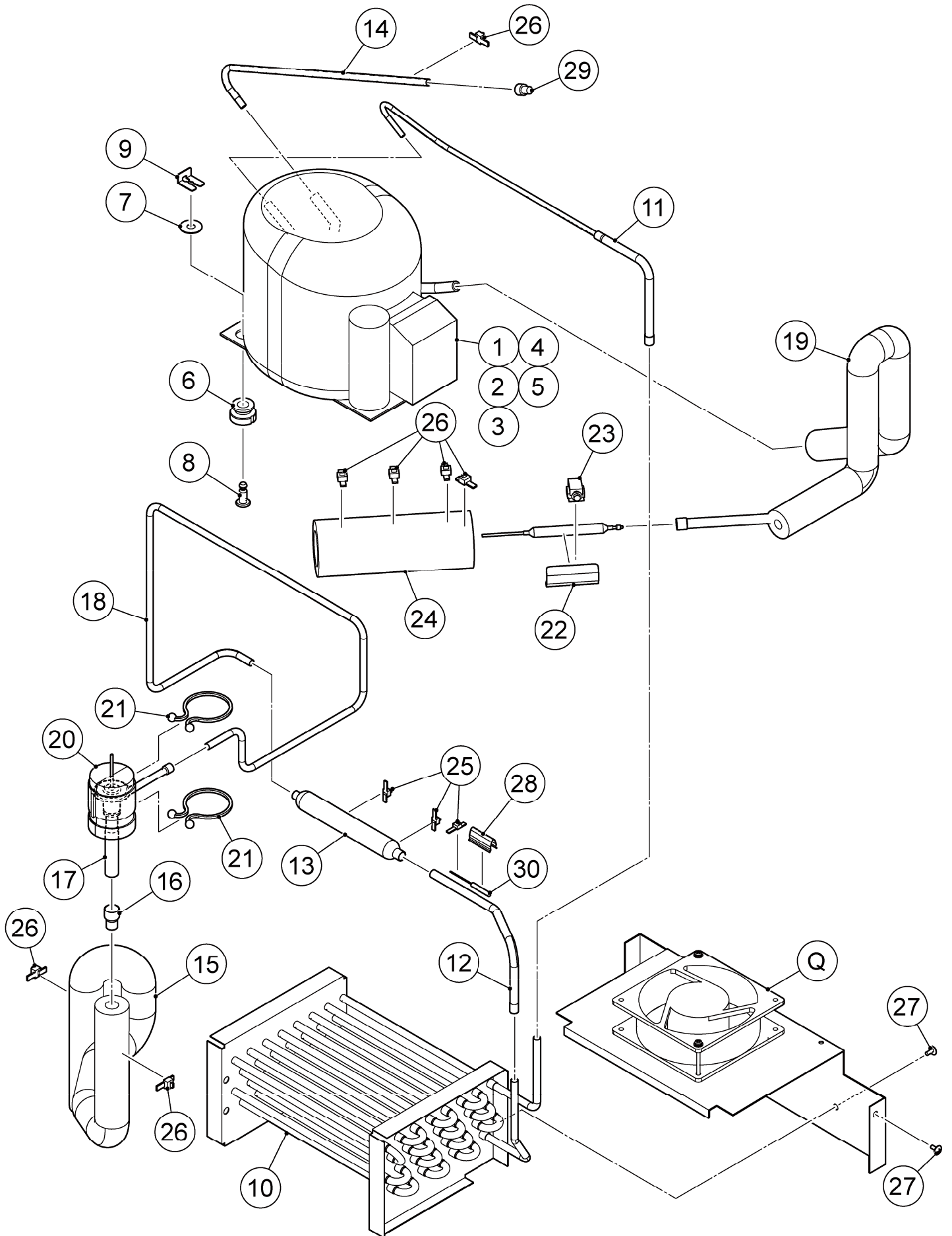
TITLE: **B. BASE ASSY**

INDEX NO.	DESCRIPTION	MATERIAL OR MODEL NUMBER	PART NUMBER	REQ'D NUMBER						
				B-1	B-2	B-3 C-0	C-1 F-1	F-2 G-0	G-1	G-2
1	BASE - SP		262216G01	1	-	-	-	-	-	-
			264217G01	-	1	1	1	1	1	1
2	COMPRESSOR BRACKET		376440G01	1	1	1	-	-	-	-
			122886M01	-	-	-	1	1	1	1
3	TRUSS HEAD SCREW		FST0508F0	4	4	4	4	4	4	4
4	COMPRESSOR BRACKET (B)		379541M01	-	-	-	1	1	1	1
5	TRUSS HEAD SCREW		FST0408F0	-	-	-	4	4	4	4



MODEL: **DCM-60KE(-P)**TITLE: **C. ICE MAKING UNIT**

INDEX NO.	DESCRIPTION	MATERIAL OR MODEL NUMBER	PART NUMBER	REQ'D NUMBER						
				B-1	B-2	B-3 C-0	C-1 F-1	F-2 G-0	G-1	G-2
N	SHUTTER ASSY		121220A03	1	1	1	1	1	1	1
P	COVER - BIN ASSY		217866A01	1	1	1	1	1	1	1
1	GEARMOTOR		P02068-02	1	1	1	1	1	1	1
2	COUPLING - SPLINE		418316-01	1	1	1	1	1	1	1
3	HOUSING		206013G05	1	1	1	1	1	1	-
			383613G02	-	-	-	-	-	-	1
4	BOLT		458660-01	4	4	4	4	4	4	4
5	O-RING		7618-G040	1	1	1	1	1	1	1
6	MECHANICAL SEAL		432491-01	1	1	1	1	1	1	1
7	RING		432494-01	1	1	1	1	1	1	1
8	EVAPORATOR (AD)		374941G02	1	1	1	1	1	1	1
9	SCREW		P01718-01	4	4	4	4	4	4	4
10	AUGER		361015G01	1	1	1	1	1	1	1
11	EXTRUDING HEAD 45C		327236G07	1	1	1	1	1	1	1
12	STORAGE BIN		264176G01	1	1	1	1	1	1	1
13	SEAL BOLT - M8		P01768-02	3	3	3	3	3	3	3
14	O-RING		7618-P048	1	1	1	1	1	1	1
15	DRIP RING		317685-02	1	1	1	1	1	1	1
16	AGITATOR		348966G01	1	1	1	1	1	1	1
17	TRUSS HEAD SCREW		FST0430S0	2	2	2	2	2	2	2
18	COVER - CASING		471716P01	1	1	1	1	1	1	1
19	TRUSS HEAD SCREW		FST0408S0	2	2	2	2	2	2	2



MODEL: **DCM-60KE(-P)**TITLE: **D. REFRIGERATION CIRC**

INDEX NO.	DESCRIPTION	MATERIAL OR MODEL NUMBER	PART NUMBER	REQ'D NUMBER							
				B-1	B-2	B-3 C-0	C-1 F-1	F-2 G-0	G-1	G-2	
Q	FAN MOTOR ASSY		376463A01	1	1	1	1	1	-	-	
			376463A02	-	-	-	-	-	1	1	
1	COMPRESSOR		450900-01	1	1	1	1	1	1	1	
		MIDDLE EAST	P01902-01	1	1	1	1	1	1	1	
2	STARTING RELAY		451264-01	1	1	1	1	1	1	1	
		MIDDLE EAST	P01903-01	1	1	1	1	1	1	1	
3	COVER		450896-01	1	1	1	1	1	1	1	
4	CORD RELIEF		4A3264-01	1	1	1	1	1	1	1	
5	START CAPACITOR		452765-01	1	1	1	1	1	1	1	
6	GROMMET		450897-01	4	4	4	4	4	4	4	
7	WASHER CUSHION		P02793-01	4	4	4	4	4	4	4	
8	STEEL PIN		452255-01	4	4	4	4	4	4	4	
9	CLIP		452256-01	4	4	4	4	4	4	4	
10	CONDENSER		P02162-01	1	1	1	1	1	-	-	
			P04142-01	-	-	-	-	-	1	1	
11	COPPER TUBE - DISCHARGE		262219G01	1	1	1	1	1	-	-	
			269894G01	-	-	-	-	-	1	1	
12	COPPER TUBE - LIQUID		476729M01	1	1	1	1	1	-	-	
			482346M01	-	-	-	-	-	1	1	
13	DRIER		P00026-01	1	1	1	1	1	1	1	
14	COPPER TUBE (A) - ACCESS		376460M01	1	1	1	1	1	1	1	
15	COPPER TUBE - EVA INLET		377167G01	1	1	1	1	1	1	1	
16	REDUCER		421904-01	1	1	1	1	1	1	1	
17	EXPANSION VALVE		446808-01	1	1	1	1	1	1	1	
18	COPPER TUBE (A)		263242M01	1	1	1	1	1	1	1	
19	COPPER TUBE (B)		376462G01	1	1	1	1	1	1	1	
20	VALVE COVER		3Y3196P01	1	1	1	1	1	1	1	
21	CLAMP		P00752-01	2	2	2	2	2	2	2	
22	HOLDER - EXPV		451267-01	1	1	1	1	1	1	1	
23	CLAMP		443461-01	1	1	1	1	1	1	1	
24	INSULATION TUBE		H73555B15	1	1	1	1	1	1	1	

MODEL: **DCM-60KE(-P)**

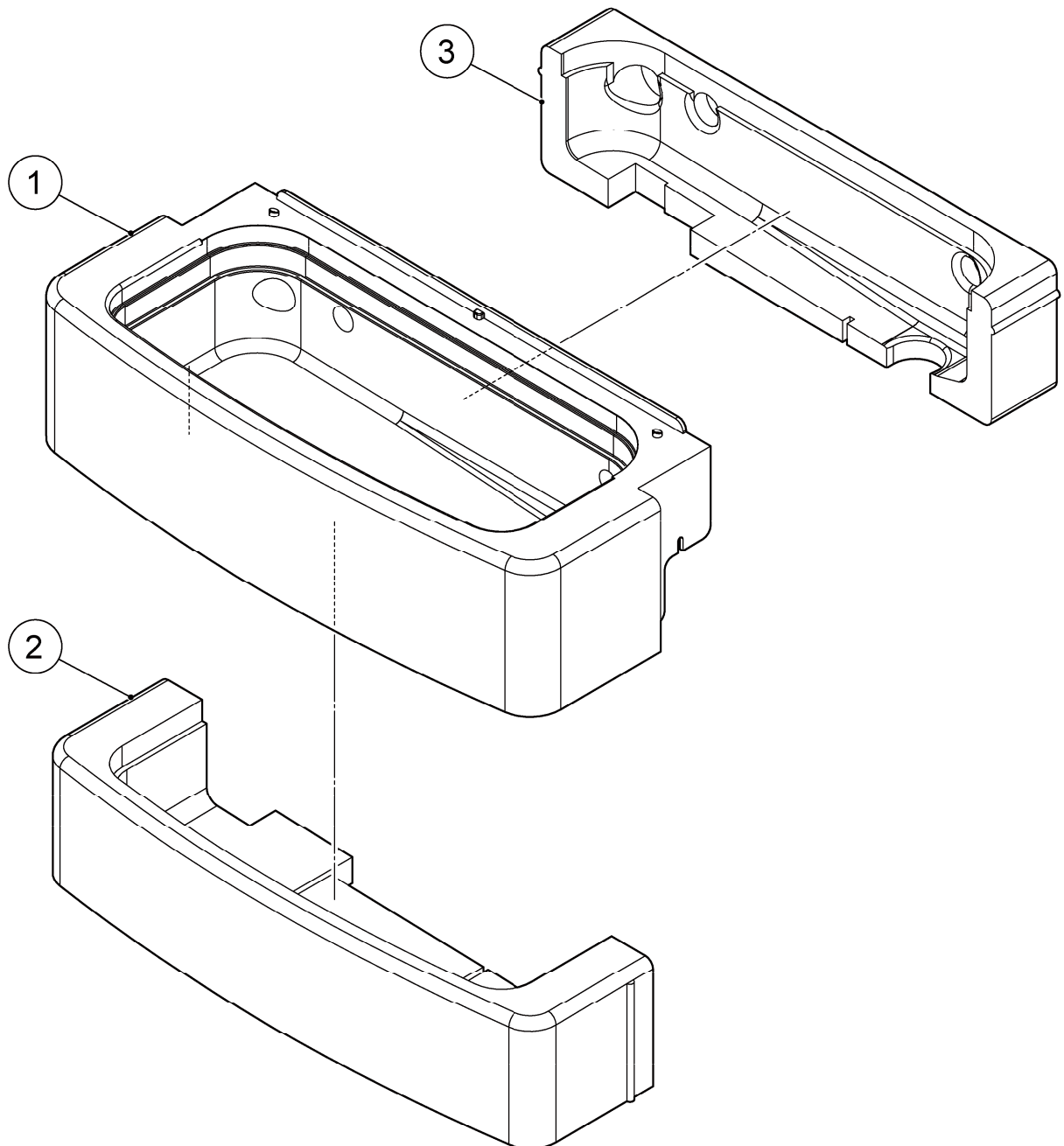
TITLE: **D. REFRIGERATION CIRC**

INDEX NO.	DESCRIPTION	MATERIAL OR MODEL NUMBER	PART NUMBER	REQ'D NUMBER								
				G-3	H-0	H-1	H-2					
Q	FAN MOTOR ASSY		376463A02	1	1	1	1					
1	COMPRESSOR		450900-01	1	1	1	1					
		MIDDLE EAST	P01902-01	1	1	1	1					
2	STARTING RELAY		451264-01	1	1	1	1					
		MIDDLE EAST	P01903-01	1	1	1	1					
3	COVER		450896-01	1	1	1	1					
4	CORD RELIEF		4A3264-01	1	1	1	1					
5	START CAPACITOR		452765-01	1	1	1	1					
6	GROMMET		450897-01	4	4	4	4					
7	WASHER CUSHION		P02793-01	4	4	4	4					
8	STEEL PIN		452255-01	4	4	4	4					
9	CLIP		452256-01	4	4	4	4					
10	CONDENSER		P04142-01	1	1	1	1					
11	COPPER TUBE - DISCHARGE		269894G01	1	1	1	1					
12	COPPER TUBE - LIQUID		482346M01	1	1	1	1					
13	DRIER		P00026-01	1	1	1	-					
			P04629-01	-	-	-	1					
14	COPPER TUBE (A) - ACCESS		376460M01	1	1	1	1					
15	COPPER TUBE - EVA INLET		377167G01	1	1	1	1					
16	REDUCER		421904-01	1	1	1	1					
17	EXPANSION VALVE		446808-01	1	1	1	1					
18	COPPER TUBE (A)		263242M01	1	1	1	-					
			272882M01	-	-	-	1					
19	COPPER TUBE (B)		376462G01	1	1	1	1					
20	VALVE COVER		3Y3196P01	1	1	1	1					
21	CLAMP		P00752-01	2	2	2	2					
22	HOLDER - EXPV		451267-01	1	1	1	1					
23	CLAMP		443461-01	1	1	1	1					
24	INSULATION TUBE		H73555B15	1	1	1	1					
25	TIE	CV-150	7920-0003	3	3	3	3					
26	NYLON TIE	CV-250	7920-0011	7	7	7	7					

MODEL: **DCM-60KE(-P)**

TITLE: **D. REFRIGERATION CIRC**

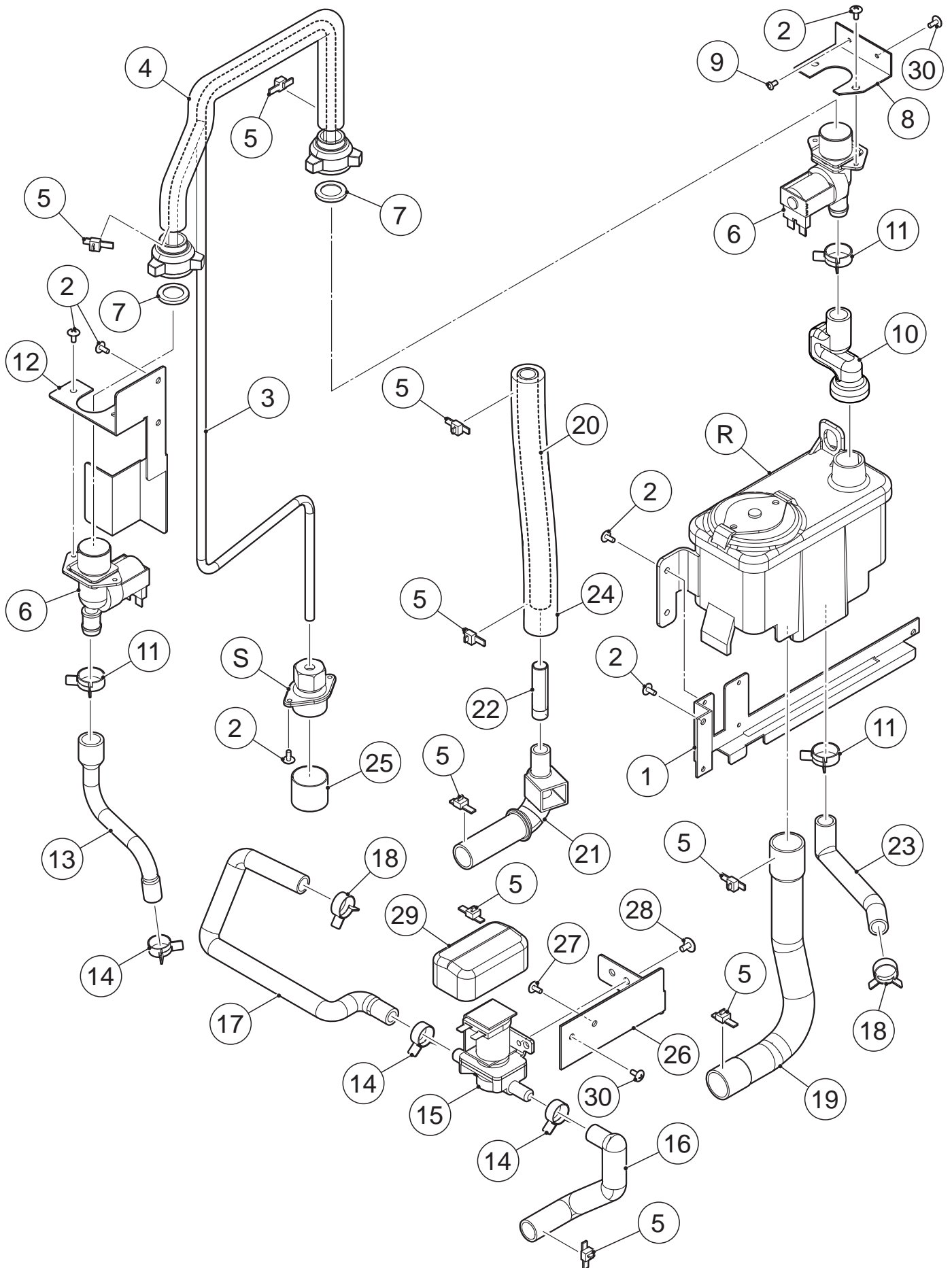
INDEX NO.	DESCRIPTION	MATERIAL OR MODEL NUMBER	PART NUMBER	REQ'D NUMBER							
				B-1	B-2	B-3 C-0	C-1 F-1	F-2 G-0	G-1	G-2	
25	TIE	CV-150	7920-0003	3	3	3	3	3	3	3	
26	NYLON TIE	CV-250	7920-0011	7	7	7	7	7	7	7	
27	T2 TRUSS HEAD SCREW		FT20408F0	4	4	4	4	4	4	4	
28	THERMISTOR - HOLDER		458132-01	1	1	1	1	1	1	1	
29	LOCKRING STOPPER		P01677-01	1	1	1	1	1	1	1	
30	THERMISTOR		468656-01	1	1	1	1	1	1	1	

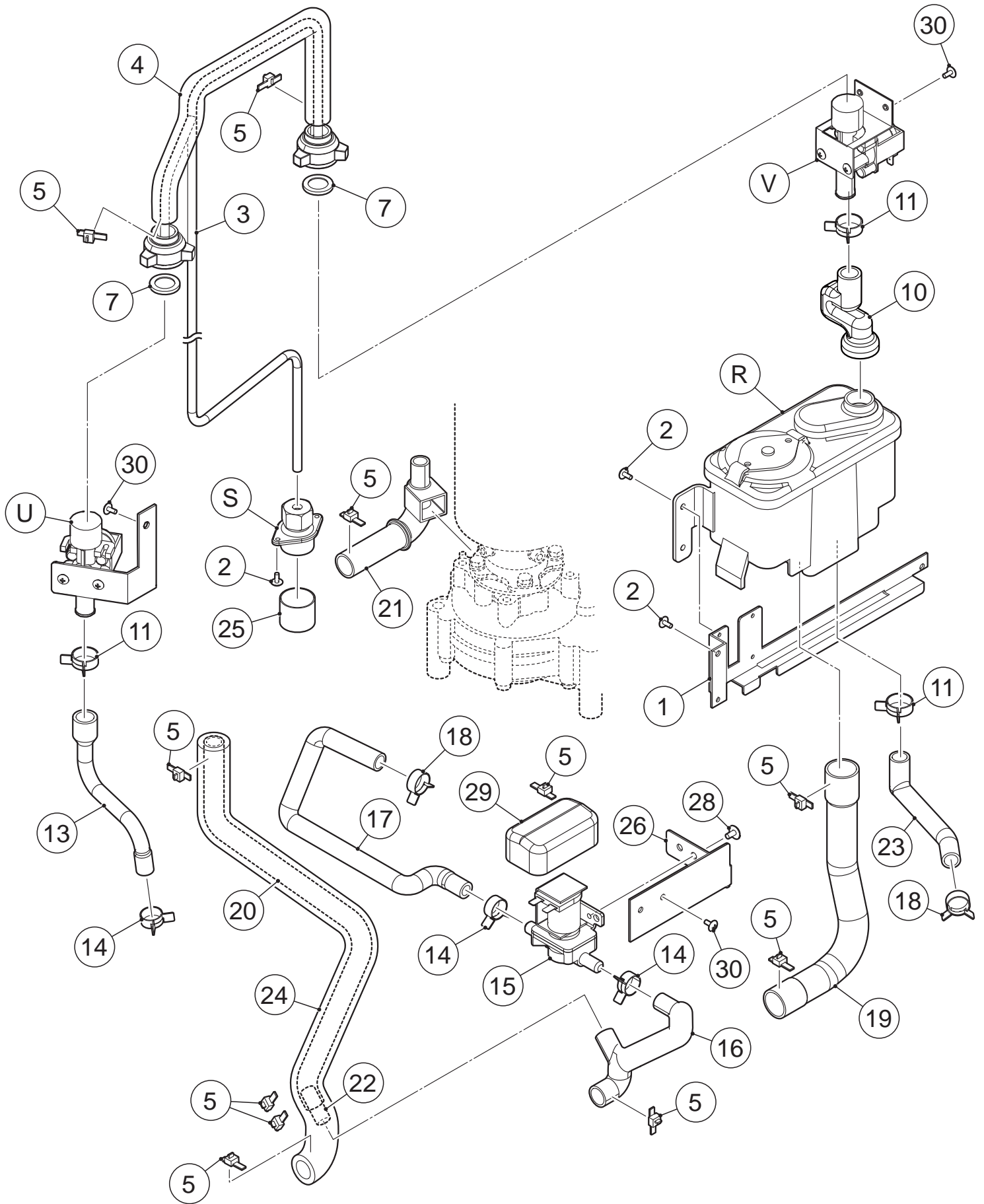


MODEL: **DCM-60KE(-P)**

TITLE: **E. DRAIN PANEL ASSY**

INDEX NO.	DESCRIPTION	MATERIAL OR MODEL NUMBER	PART NUMBER	REQ'D NUMBER						
				B-1	B-2	B-3 C-0	C-1 F-1	F-2 G-0	G-1	G-2
1	DRAIN PANEL		121229P01	1	1	1	1	1	1	1
2	INSULATION (A) - DRAIN PANEL		121238Z01	1	1	1	1	1	1	1
3	INSULATION (B) - DRAIN PANEL		121239Z01	1	1	1	1	1	1	1





MODEL: **DCM-60KE(-P)**TITLE: **F. WATER CIRCUIT**

INDEX NO.	DESCRIPTION	MATERIAL OR MODEL NUMBER	PART NUMBER	REQ'D NUMBER						
				B-1	B-2	B-3 C-0	C-1 F-1	F-2 G-0	G-1	G-2
R	TANK ASSY		380770A01	1	1	1	1	1	1	1
S	FITTING - WATER SUPPLY		376409A01	1	1	1	1	1	1	1
1	RESERVOIR BRACKET		262223M01	1	-	-	-	-	-	-
			264207M01	-	1	1	1	1	1	1
2	TRUSS HEAD SCREW		FST0408S0	11	12	12	12	12	12	12
3	PIPE - WATER SUPPLY		376464G01	1	1	1	1	1	1	1
4	INSULATION TUBE		H71020B48	1	1	1	1	1	1	1
5	NYLON TIE	CV-200	7920-0010	9	9	9	9	11	11	11
6	WATER VALVE		452993-01	2	2	2	2	2	2	2
7	PACKING - FILTER		480202G01	2	2	2	2	2	2	2
8	BRACKET (A) - WV		476731M01	1	-	-	-	-	-	-
			478031M01	-	1	1	1	1	1	1
9	RIVET	SSD42SSBS(t1.6 - 3.2)	7170-0002	2	-	-	-	-	-	-
10	HOSE - WATER SUPPLY		378371R01	1	1	1	1	1	1	1
11	CLIP BAND		423866-05	3	3	3	3	3	3	3
12	BRACKET(B) - WV		376449M01	1	1	1	1	1	1	1
13	HOSE (B) - WATER SUPPLY		475485R01	1	1	1	1	1	1	1
14	CLIP BAND		423866-01	3	3	3	3	3	3	3
15	WATER VALVE		468655-01	1	1	1	1	1	1	1
16	HOSE - WV OUTLET		377147P01	1	1	1	1	-	-	-
	HOSE - WV OUTLET 2		379212R01	-	-	-	-	1	1	1
17	HOSE(70) - EVA OUTLET		377146P01	1	1	1	1	1	1	1
18	CLAMP		423866-04	2	2	2	2	2	2	2
19	OVERFLOW HOSE - 60AD		374984G01	1	1	1	1	1	1	1
20	HOSE (J)		334235-06	1	1	1	1	-	-	-
	HOSE (R)		334235-13	-	-	-	-	1	1	1
21	HOSE 60 - GM DRAIN		376465G01	1	1	1	1	1	1	1
22	CONNECTION PIPE		475535M01	1	1	1	1	-	-	-
			479221M01	-	-	-	-	1	1	1
23	HOSE (60) - EVA INLET		475508R01	1	1	1	1	1	1	1

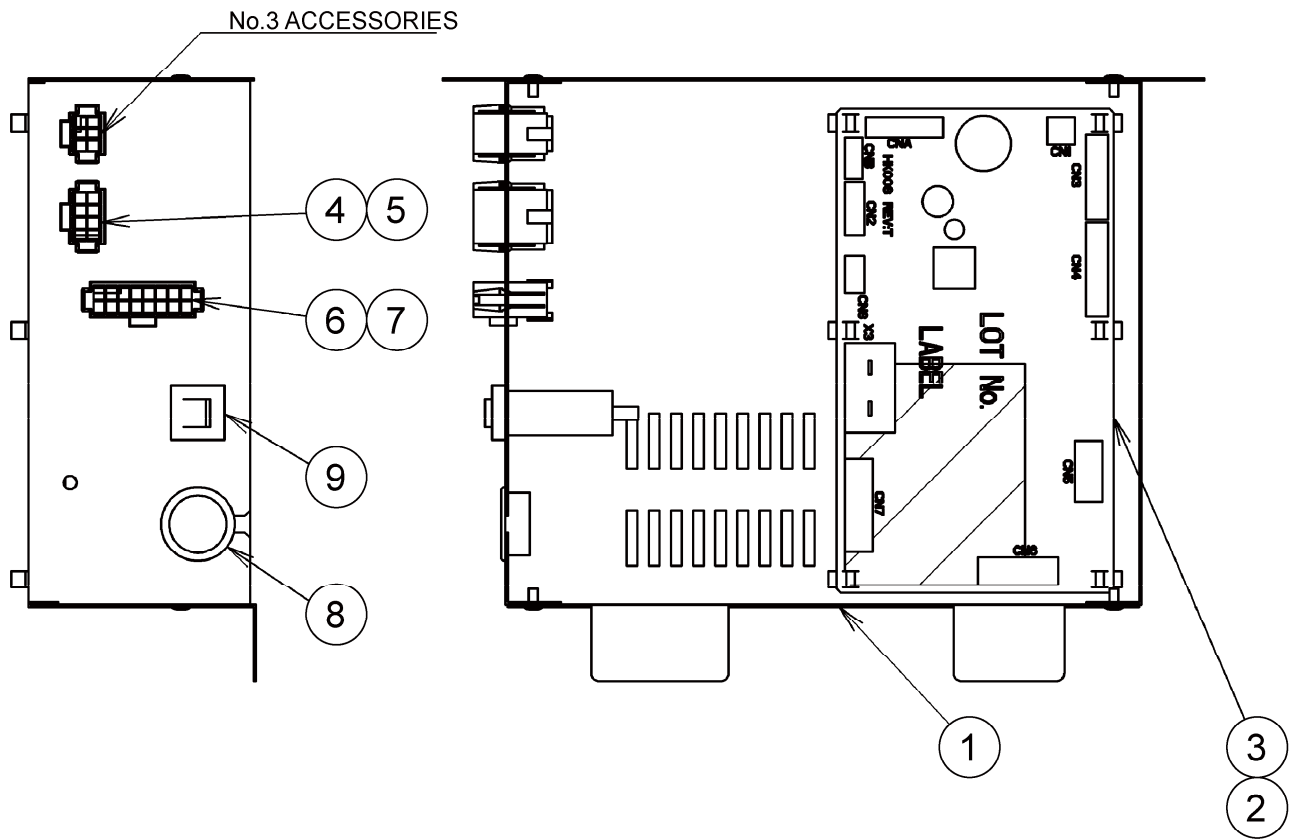
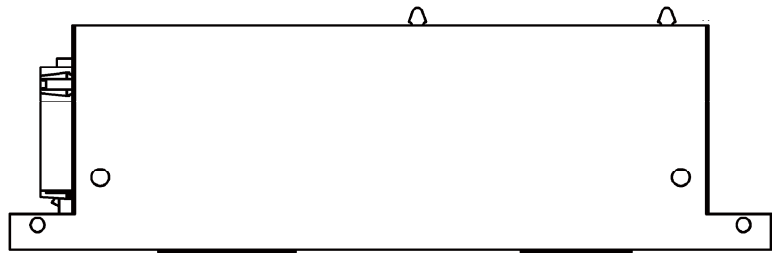
MODEL: **DCM-60KE(-P)**

TITLE: **F. WATER CIRCUIT**

INDEX NO.	DESCRIPTION	MATERIAL OR MODEL NUMBER	PART NUMBER	REQ'D NUMBER						
				B-1	B-2	B-3 C-0	C-1 F-1	F-2 G-0	G-1	G-2
24	INSULATION TUBE		H71626250	1	1	1	1	-	-	-
			H71626550	-	-	-	-	1	1	1
25	CAP		417323-01	1	1	1	1	1	1	1
26	VALVE BRACKET		377145M01	1	-	-	-	-	-	-
			377713M01	-	1	1	1	1	1	1
27	T2 TRUSS HEAD SCREW		FT20408F0	2	-	-	-	-	-	-
28	TRUSS HEAD SCREW		FST0508F0	2	2	2	2	2	2	2
29	COVER		463633-01	1	1	1	1	1	1	1
30	TRUSS HEAD SCREW		FST0408F0	-	4	4	4	4	4	4

MODEL: **DCM-60KE(-P)**TITLE: **F. WATER CIRCUIT**

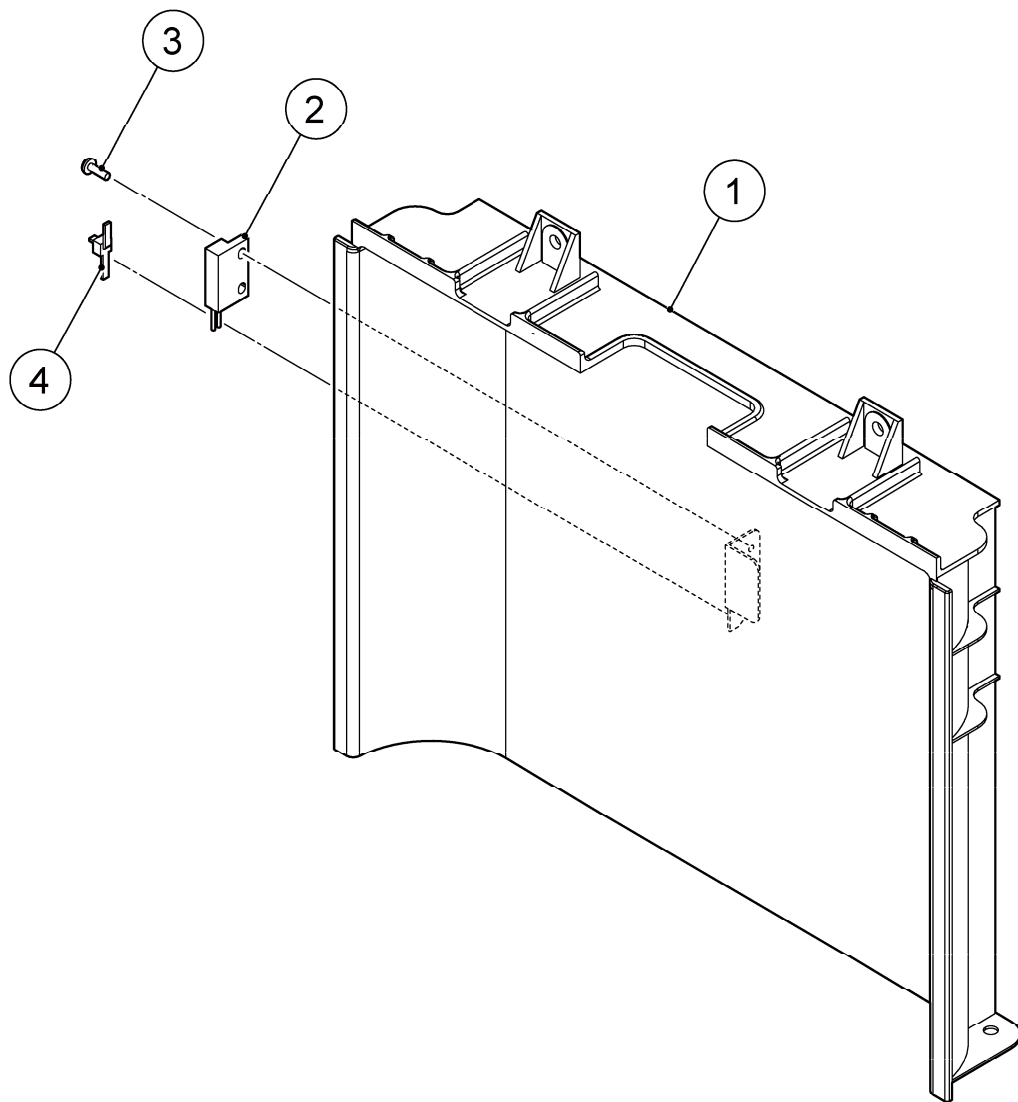
INDEX NO.	DESCRIPTION	MATERIAL OR MODEL NUMBER	PART NUMBER	REQ'D NUMBER						
				G-3	H-0	H-1	H-2			
R	TANK ASSY		380770A01	1	-	-	-			
			386275A01	-	1	1	1			
S	FITTING - WATER SUPPLY		376409A01	1	1	1	1			
U	WATER VALVE(B) ASSY	SINGAPORE	387719A01	-	-	-	1			
V	WATER VALVE(A) ASSY	SINGAPORE	484533A01	-	-	-	1			
1	RESERVOIR BRACKET		264207M01	1	1	1	1			
2	TRUSS HEAD SCREW		FST0408S0	12	12	12	12			
		SINGAPORE		7	7	7	7			
3	PIPE - WATER SUPPLY		376464G01	1	1	1	1			
4	INSULATION TUBE		H71020B48	1	1	1	1			
5	NYLON TIE	CV-200	7920-0010	11	11	11	11			
6	WATER VALVE		452993-01	2	2	2	2			
		SINGAPORE		-	-	-	-			
7	PACKING - FILTER		480202G01	2	2	2	2			
8	BRACKET (A) - WV		478031M01	1	1	1	1			
		SINGAPORE		-	-	-	-			
9	RIVET	SSD42SSBS(t1.6 - 3.2)	7170-0002	-	-	-	-			
10	HOSE - WATER SUPPLY		378371R01	1	1	1	1			
11	CLIP BAND		423866-05	3	3	3	3			
12	BRACKET(B) - WV		376449M01	1	1	1	1			
		SINGAPORE		-	-	-	-			
13	HOSE (B) - WATER SUPPLY		475485R01	1	1	1	1			
14	CLIP BAND		423866-01	3	3	3	3			
15	WATER VALVE		468655-01	1	1	1	1			
16	HOSE - WV OUTLET 2		379212R01	1	1	1	1			
17	HOSE(70) - EVA OUTLET		377146P01	1	1	1	1			
18	CLAMP		423866-04	2	2	2	2			
19	OVERFLOW HOSE - 60AD		374984G01	1	1	1	1			
20	HOSE (R)		334235-13	1	1	1	1			
21	HOSE 60 - GM DRAIN		376465G01	1	1	1	1			
22	CONNECTION PIPE		479221M01	1	1	1	1			



MODEL: **DCM-60KE(-P)**

TITLE: **G. CONTROL BOX ASSY**

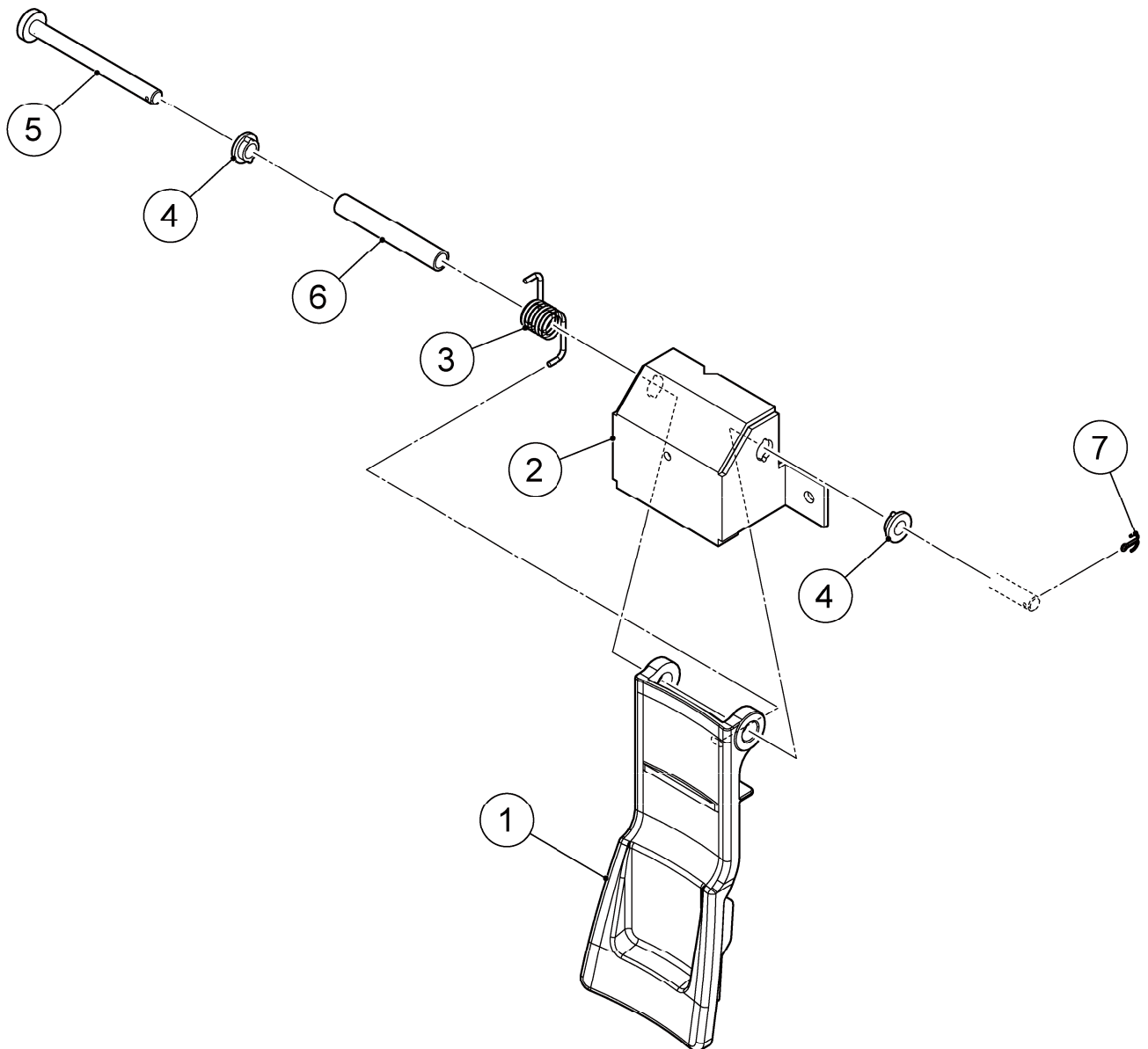
INDEX NO.	DESCRIPTION	MATERIAL OR MODEL NUMBER	PART NUMBER	REQ'D NUMBER						
				B-1	B-2	B-3 C-0	C-1 F-1	F-2 G-0	G-1	G-2
1	CONTROL BOX		377199G01	1	1	1	1	1	1	1
2	BOARD SUPPORT		414929-01	6	6	6	6	6	6	6
3	CONTROLLER BOARD - 10DCM		P02107-99	1	1	1	1	1	1	1
4	RECEPTACLE HOUSING		454246-05	1	1	1	1	1	1	1
5	RETAINER		455609-03	2	2	2	2	2	2	2
6	RECEPTACLE HOUSING		454246-10	1	1	1	1	1	1	1
7	RETAINER		455609-05	2	2	2	2	2	2	2
8	BUSHING		428394-05	1	1	1	1	1	1	1
9	PROTECTOR		440972-01	1	1	1	1	1	1	1



MODEL: **DCM-60KE(-P)**

TITLE: **H. FRONT PANEL ASSY -**

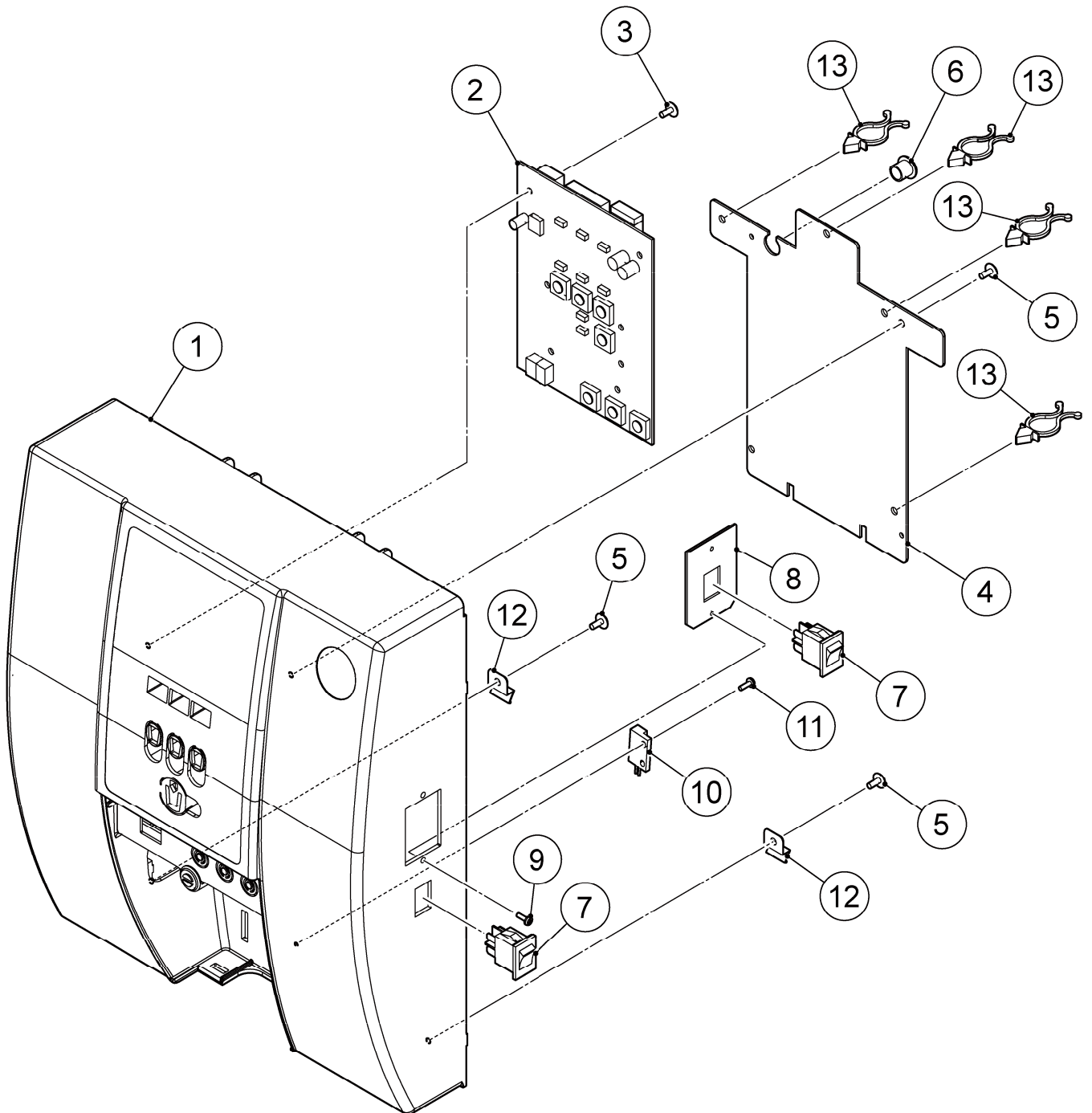
INDEX NO.	DESCRIPTION	MATERIAL OR MODEL NUMBER	PART NUMBER	REQ'D NUMBER						
				B-1	B-2	B-3 C-0	C-1 F-1	F-2 G-0	G-1	G-2
1	FRONT PANEL (LO) - 60		375179G01	1	1	1	1	1	1	1
2	REED SWITCH		431788-01	1	1	1	1	1	1	1
3	PAN HEAD MACHINE SCREW		FSP0308S0	2	2	2	2	2	2	2
4	TIE	CV-100	7920-0002	1	1	1	1	1	1	1

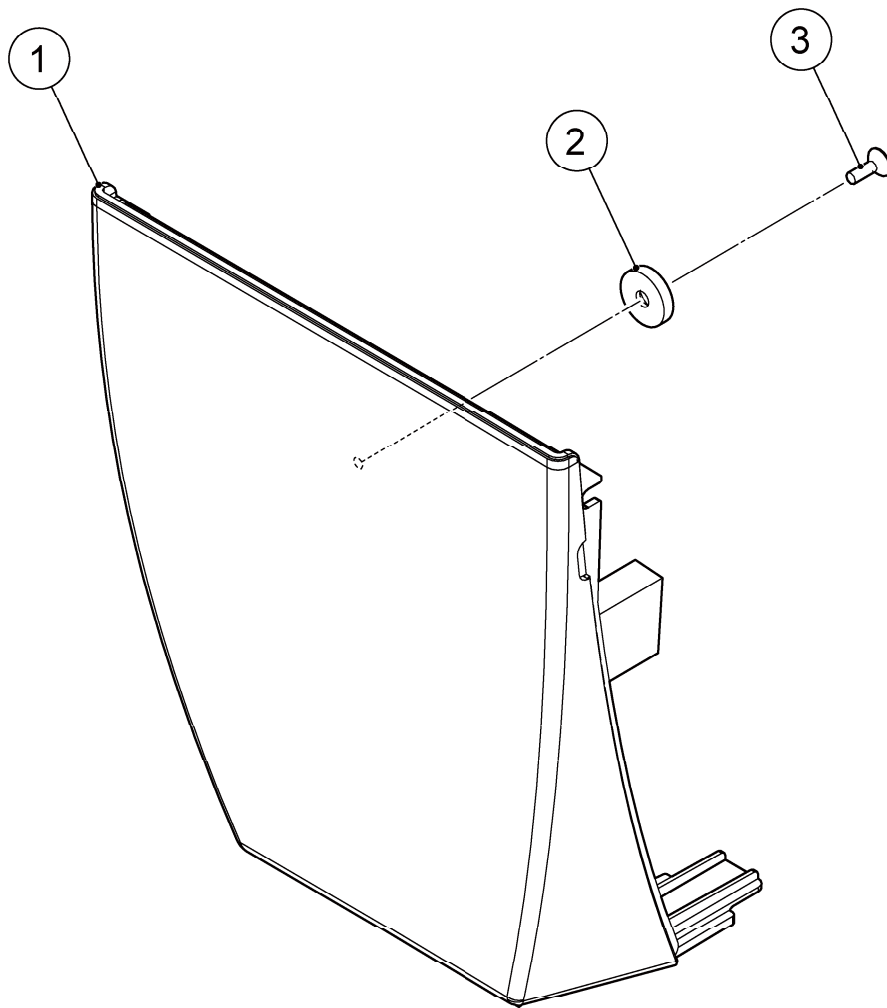


MODEL: **DCM-60KE(-P)**

TITLE: **J. LEVER - UNIT**

INDEX NO.	DESCRIPTION	MATERIAL OR MODEL NUMBER	PART NUMBER	REQ'D NUMBER						
				B-1	B-2	B-3 C-0	C-1 F-1	F-2 G-0	G-1	G-2
1	LEVER ASSY		375131G02	1	1	1	1	1	1	1
2	BRACKET - LEVER		376457M01	1	1	1	1	1	1	1
3	SPRING (C)		475483M01	1	1	1	1	1	1	1
4	SPACER (A)		461230-01	2	2	2	2	2	2	2
5	SHAFT - LEVER		475538M01	1	1	1	1	1	1	1
6	TUBE		475537P01	1	1	1	1	1	1	1
7	SPLIT PIN		711SP1612	1	1	1	1	1	1	1

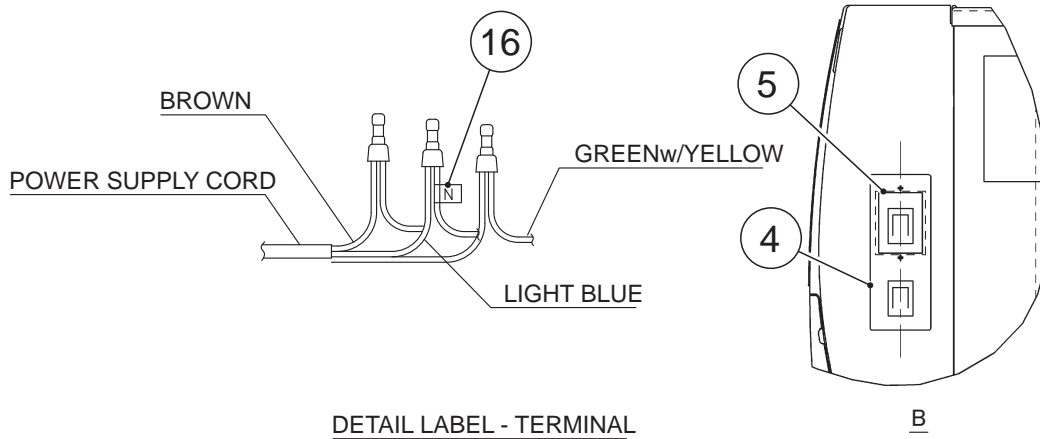
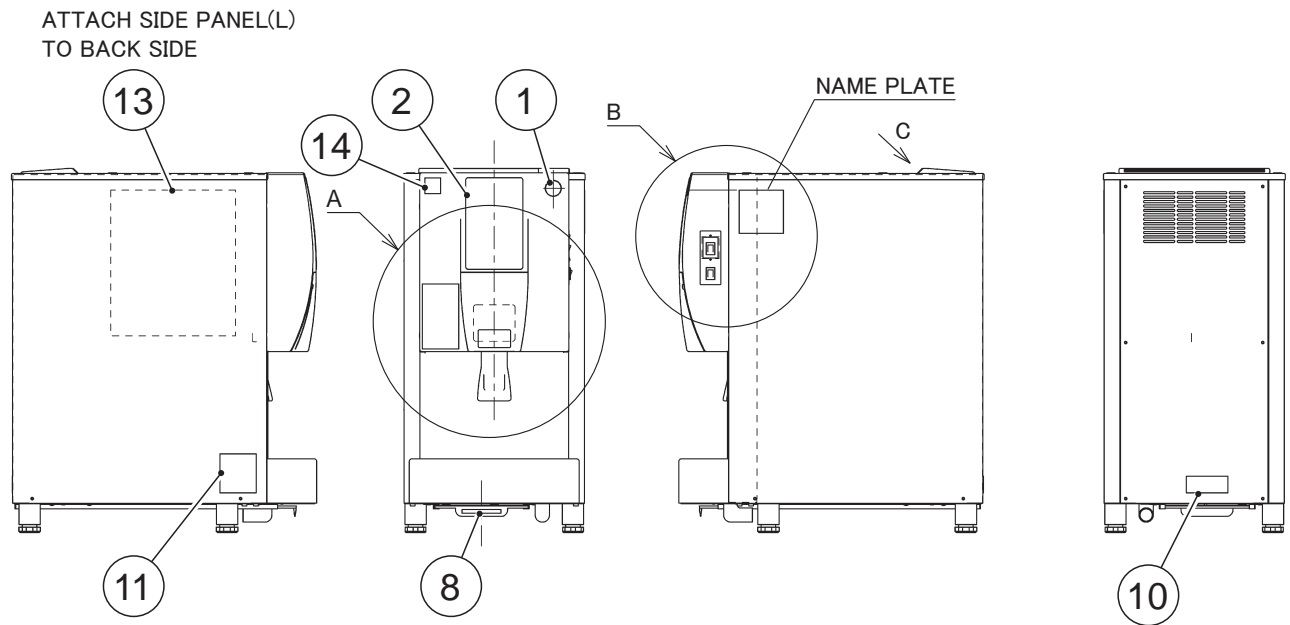
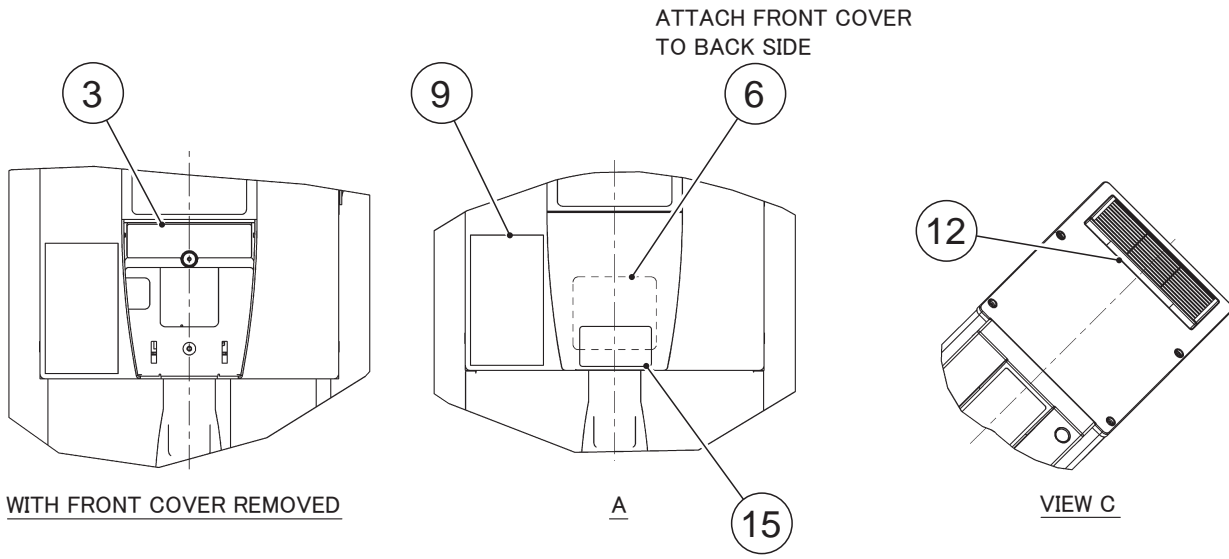




MODEL: **DCM-60KE(-P)**

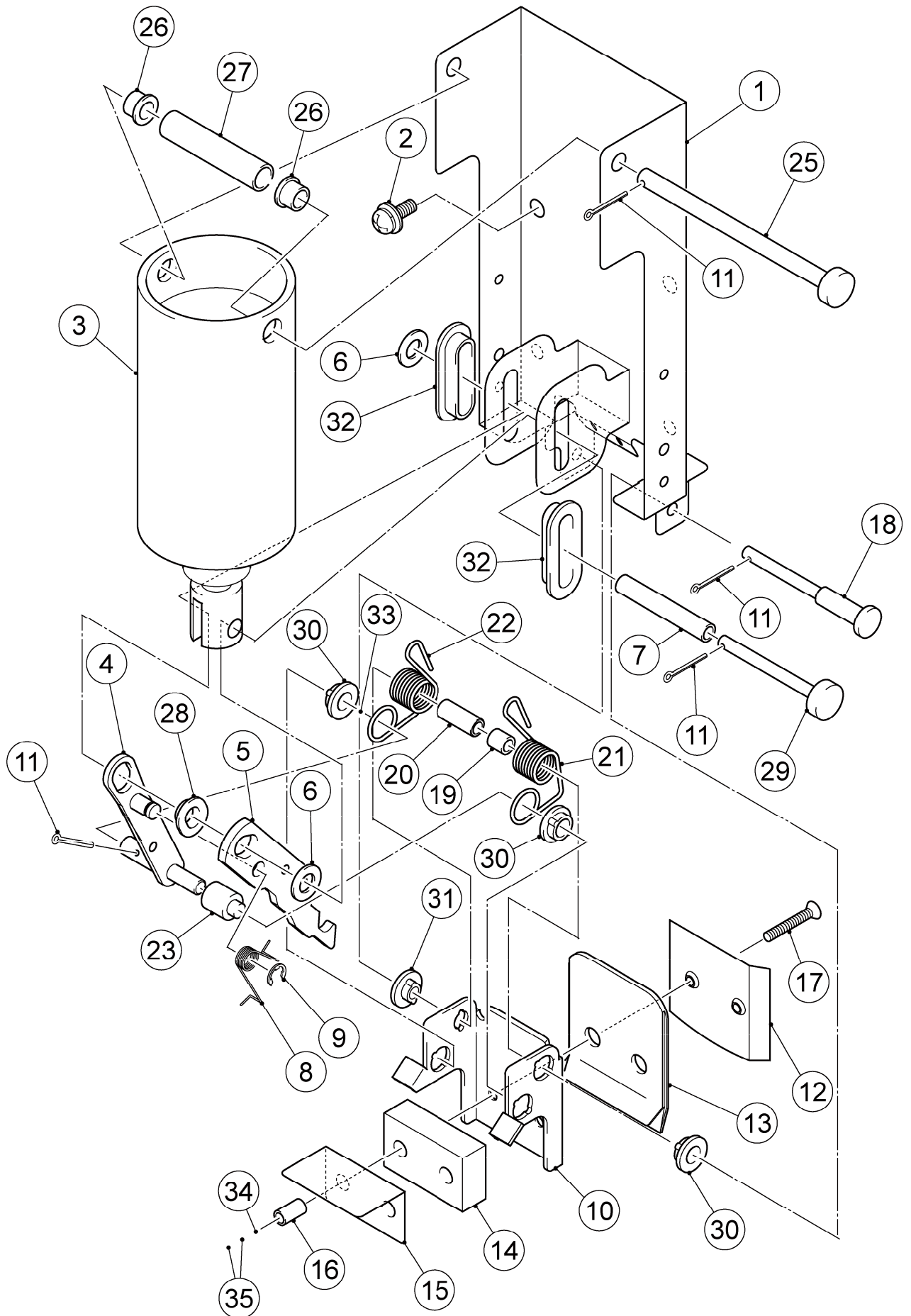
TITLE: **L. FRONT COVER**

INDEX NO.	DESCRIPTION	MATERIAL OR MODEL NUMBER	PART NUMBER	REQ'D NUMBER						
				B-1	B-2	B-3 C-0	C-1 F-1	F-2 G-0	G-1	G-2
1	COVER - FRONT		475701G01	1	1	1	1	1	1	1
2	CATCH		P02548-01	1	1	1	1	1	1	1
3	TAPPING SCREW -COUNTERSUNK		P02195-01	1	1	1	1	1	1	1



MODEL: **DCM-60KE(-P)**TITLE: **M. LABEL LOCATION**

INDEX NO.	DESCRIPTION	MATERIAL OR MODEL NUMBER	PART NUMBER	REQ'D NUMBER						
				B-1	B-2	B-3 C-0	C-1 F-1	F-2 G-0	G-1	G-2
1	LABEL - PENGUIN		448818-01	1	1	1	1	1	1	1
	EMBLEM - GRAM	L013-C501	478997L01	-	-	1	1	1	1	1
2	OPERATION LABEL		379973L01	1	1	1	1	1	1	1
		DCM-60KE-P	379973L02	1	1	1	1	1	1	1
		L013-C501	378823L01	-	-	1	1	1	1	1
3	CONTROL LABEL		376358L01	1	1	1	1	1	1	-
			384556L01							1
4	LABEL-POWER SUPPLY A		476672L01	1	1	1	1	1	1	1
5	LABEL-POWER SUPPLY B		476718L01	1	1	1	1	1	1	1
6	LABEL-SPOUT		476671L01	1	1	1	1	1	1	1
8	LABEL - AIR FILTER		452799-01	1	1	1	1	1	1	1
9	WARNING LABEL		376359L01	1	1	1	1	1	1	1
10	CAUTION LABEL		476902L01	1	1	1	1	1	1	1
11	CAUTION LABEL - SERVICE		471180L01	1	1	1	1	1	1	1
12	CAUTION LABEL		477575L01	1	1	1	1	1	1	1
13	WIRING LABEL		262508L01	1	1	1	1	1	1	1
14	LABEL - HACCP		476519L01	1	1	1	1	1	1	1
15	LABEL - LEVER	DCM-60KE	481876L01	-	-	-	-	-	1	1
16	LABEL - TERMINAL		452379-04	1	1	1	1	1	1	1



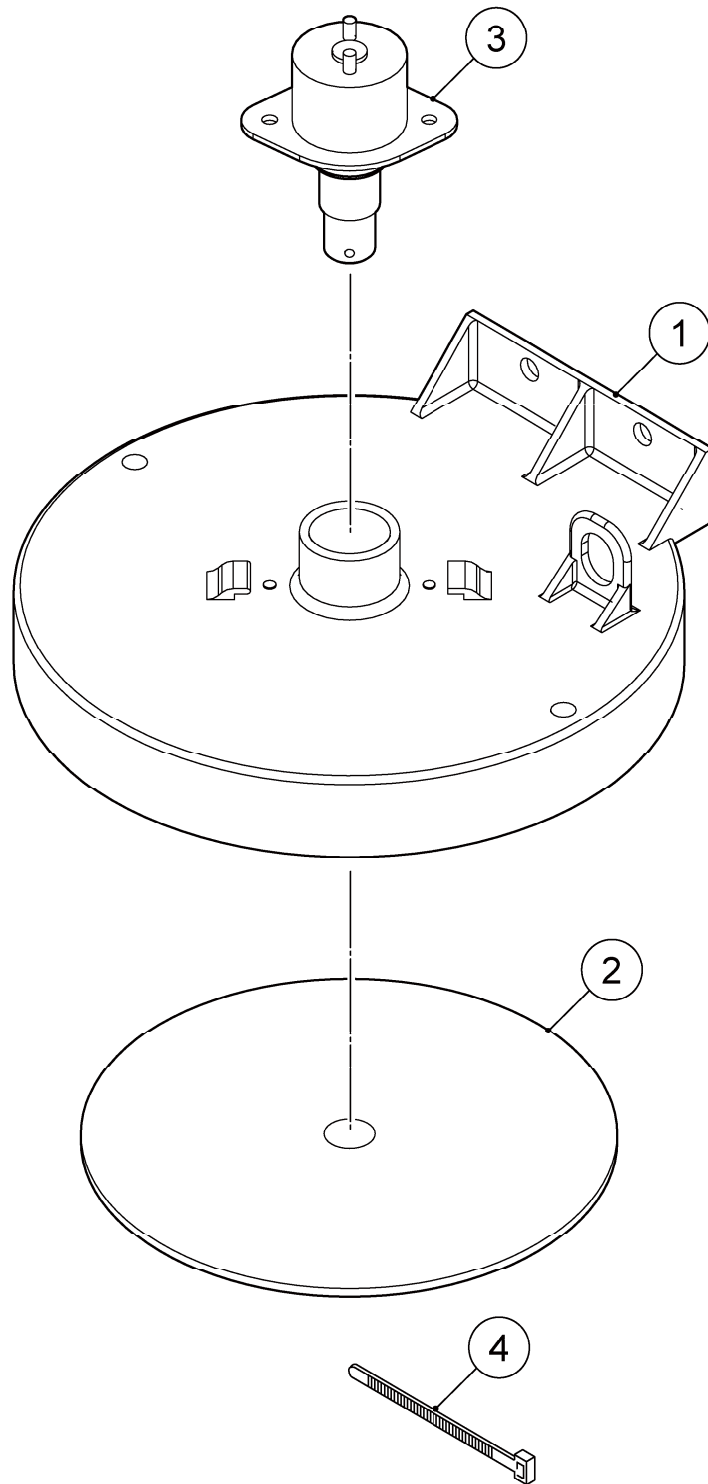
MODEL: **DCM-60KE(-P)**TITLE: **N. SHUTTER ASSY**

INDEX NO.	DESCRIPTION	MATERIAL OR MODEL NUMBER	PART NUMBER	REQ'D NUMBER						
				G-3	H-0	H-1	H-2			
1	BRACKET - SOLENOID		351479G01	1	1	1	1			
2	SCREW		434838-02	4	4	4	4			
3	SOLENOID		P02647-01	1	1	1	1			
4	SHAFT		462262G01	1	1	1	1			
5	HOOK - SHUTTER		438406-02	1	1	1	1			
6	SPACER		454943-01	2	2	2	2			
7	TUBE		451284-06	1	1	1	1			
8	SPRING		411532-01	1	1	1	1			
9	ERING		721S-0004	1	1	1	1			
10	STOPPER		351480-01	1	1	1	1			
11	SPLIT PIN		711SP1612	4	4	4	4			
12	SHUTTER PLATE (A1)		414756-01	1	1	1	1			
13	PLATE (B) - SHUTTER		466047-01	1	1	1	1			
14	CUSHION		419150-01	1	1	1	1			
15	PLATE (D) - SHUTTER		466063-01	1	1	1	1			
16	SHUTTER COLLAR (C)		411539-03	2	2	2	2			
17	SCREW		441581-01	2	2	2	2			
18	SHAFT (B)		462561-01	1	1	1	1			
19	TUBE		451284-05	1	1	1	1			
20	COLLAR		454942-01	1	1	1	1			
21	SPRING (R)		452502-01	1	1	1	1			
22	SPRING (L)		452503-01	1	1	1	1			
23	SHAFT (B2)		432520-02	1	1	1	1			
24	SHAFT - SOLENOID		462257-01	1	1	1	1			
25	BUSH		462558-02	2	2	2	2			
26	COLLAR - SOLENOID		462559-01	1	1	1	1			
27	SPACER (D)		461233-01	1	1	1	1			
28	SHAFT - PLUNGER		462258-01	1	1	1	1			
29	SPACER (A)		461230-01	3	3	3	3			
30	SPACER (B)		461231-01	1	1	1	1			
31	SPACER(C)		461232-01	2	2	2	2			
32	FLAT WASHER		FWPL06S0	1	1	1	1			

MODEL: **DCM-60KE(-P)**

TITLE: **N. SHUTTER ASSY**

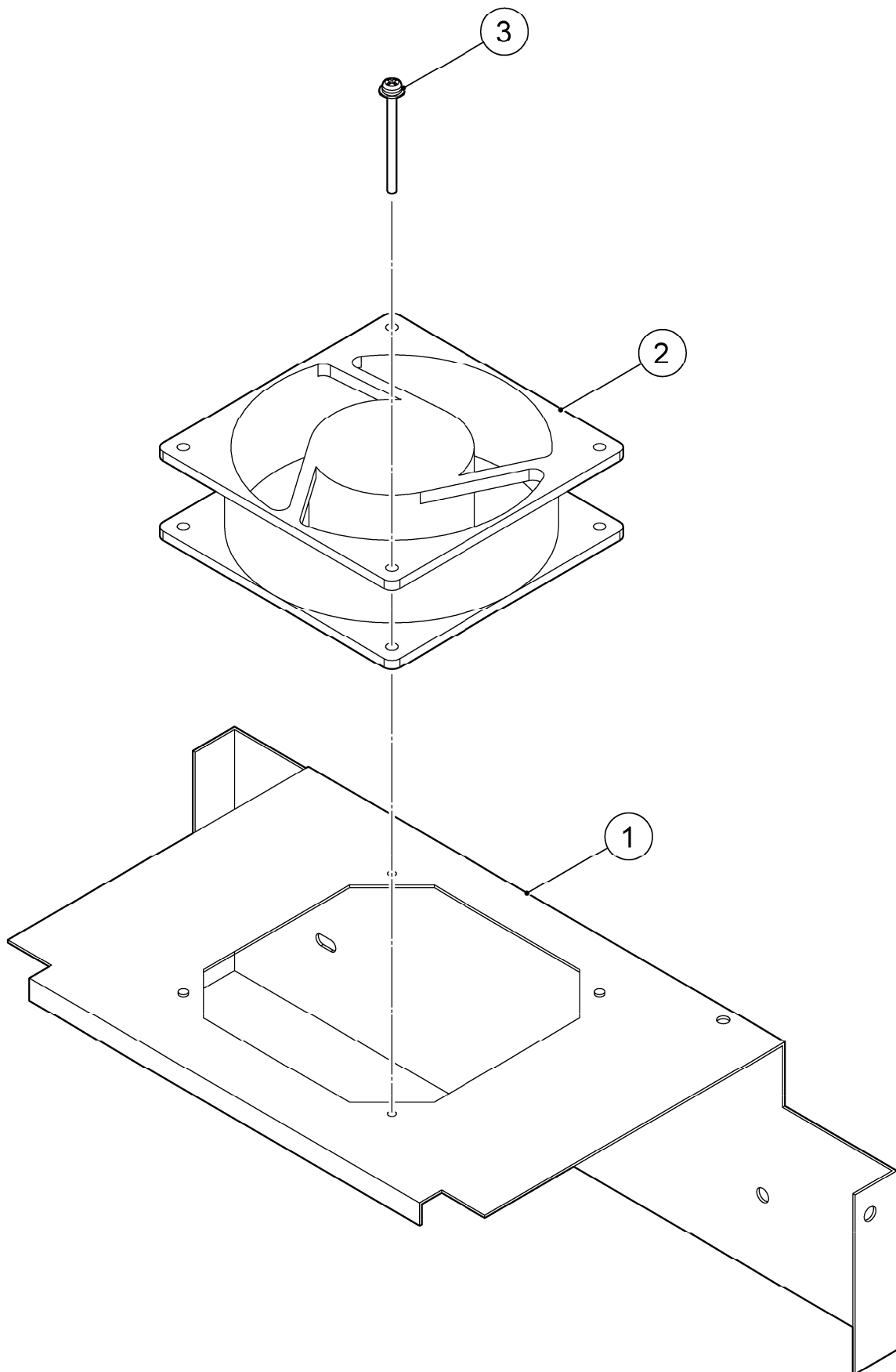
INDEX NO.	DESCRIPTION	MATERIAL OR MODEL NUMBER	PART NUMBER	REQ'D NUMBER							
				B-1	B-2	B-3 C-0	C-1 F-1	F-2 G-0	G-1	G-2	
33	FLAT WASHER		FWPL03S0	2	2	2	2	2	2	2	
34	NUT		FNH103S0	4	4	4	4	4	4	4	



MODEL: **DCM-60KE(-P)**

TITLE: **P. COVER ASSY - BIN TO**

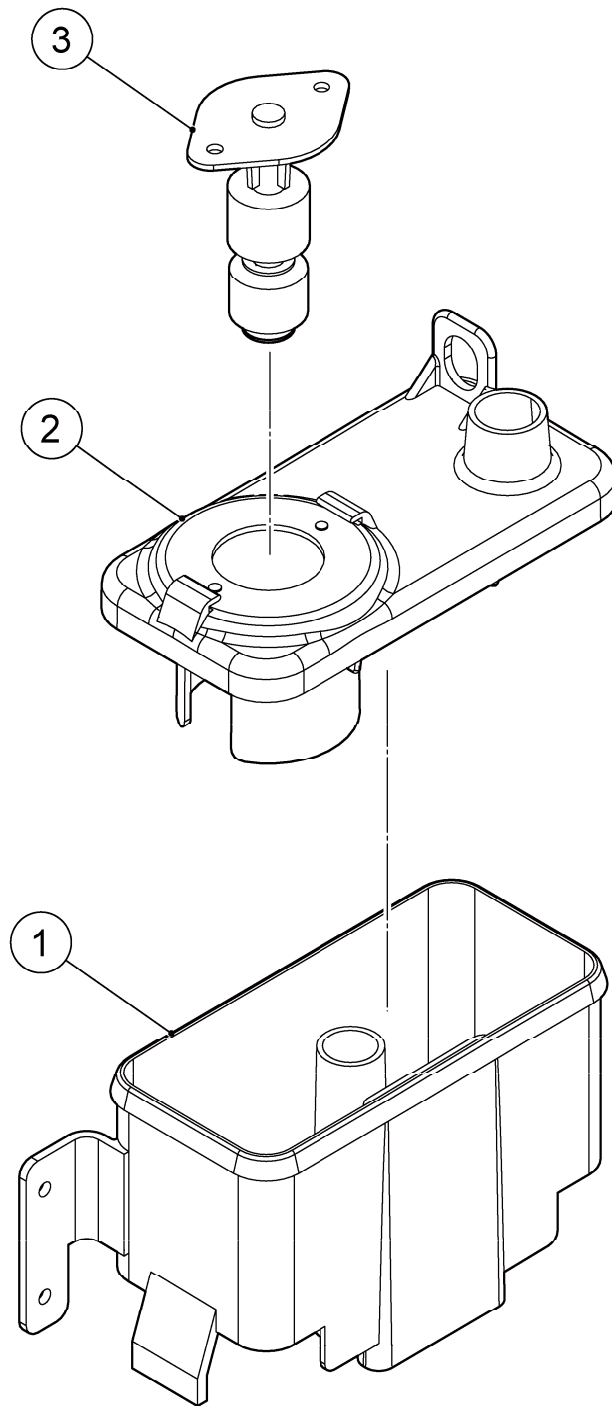
INDEX NO.	DESCRIPTION	MATERIAL OR MODEL NUMBER	PART NUMBER	REQ'D NUMBER						
				B-1	B-2	B-3 C-0	C-1 F-1	F-2 G-0	G-1	G-2
1	COVER - BIN		329037G01	1	1	1	1	1	1	1
2	BALANCE PLATE		442910-01	1	1	1	1	1	1	1
3	BIN CONTROL ASSY		459673-01	1	1	1	1	1	1	1
4	TIE	CV-100	7920-0002	1	1	1	1	1	1	1



MODEL: **DCM-60KE(-P)**

TITLE: **Q. FAN MOTOR ASSY**

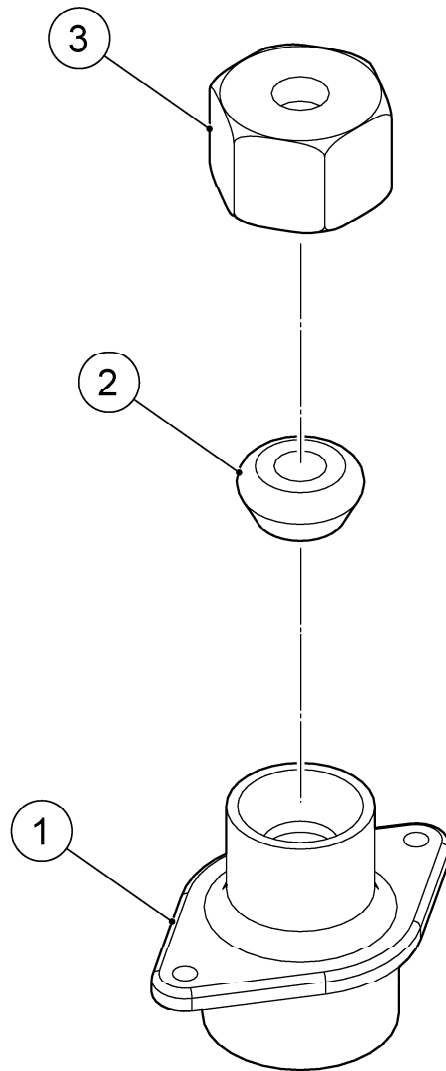
INDEX NO.	DESCRIPTION	MATERIAL OR MODEL NUMBER	PART NUMBER	REQ'D NUMBER						
				B-1	B-2	B-3 C-0	C-1 F-1	F-2 G-0	G-1	G-2
1	BRACKET - FM		262221M01	1	1	1	1	1	-	-
			262221M02	-	-	-	-	-	1	1
2	FAN MOTOR		P02685-01	1	1	1	1	1	1	1
3	PAN HEAD MACHINE SCREW (SPRING WASHER AND FLAT WASHER)		FSK0445S0	2	2	2	2	2	2	2



MODEL: **DCM-60KE(-P)**

TITLE: **R. TANK ASSY**

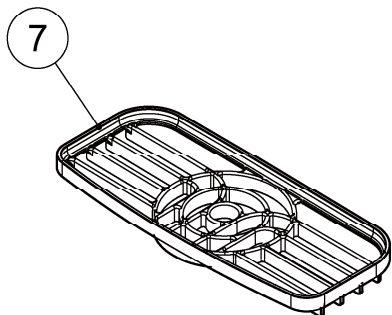
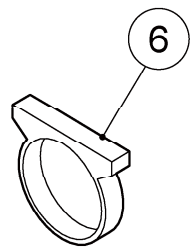
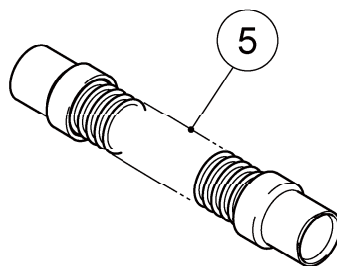
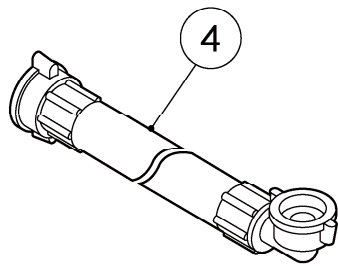
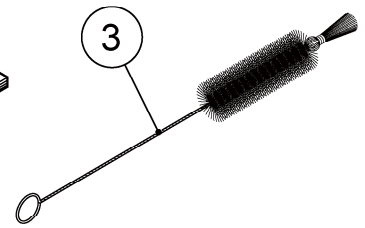
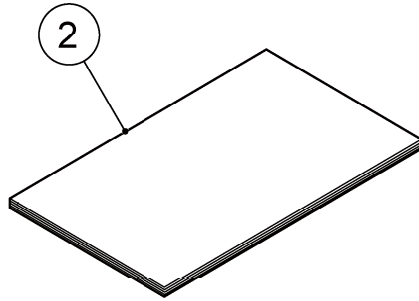
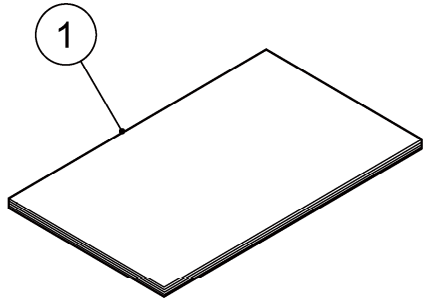
INDEX NO.	DESCRIPTION	MATERIAL OR MODEL NUMBER	PART NUMBER	REQ'D NUMBER						
				B-1	B-2	B-3 C-0	C-1 F-1	F-2 G-0	G-1	G-2
1	RESERVOIR		217620-02	1	1	1	1	1	1	1
2	RESERVOIR COVER		266135P01	1	1	1	1	1	1	1
3	FLOAT SWITCH		435490-01	1	1	1	1	1	1	1



MODEL: **DCM-60KE(-P)**

TITLE: **S. FITTING - WATER SUPPLY**

INDEX NO.	DESCRIPTION	MATERIAL OR MODEL NUMBER	PART NUMBER	REQ'D NUMBER						
				B-1	B-2	B-3 C-0	C-1 F-1	F-2 G-0	G-1	G-2
1	FITTING - WATER SUPPLY		376409M01	1	1	1	1	1	1	1
2	TAPPERED PACKING		415715-04	1	1	1	1	1	1	1
3	CAP - FLARE		415713-02	1	1	1	1	1	1	1



MODEL: **DCM-60KE(-P)**

TITLE: **T. ACCESSORIES**

INDEX NO.	DESCRIPTION	MATERIAL OR MODEL NUMBER	PART NUMBER	REQ'D NUMBER						
				B-1	B-2	B-3 C-0	C-1 F-1	F-2 G-0	G-1	G-2
1	INSTRUCTION MANUAL		L1L009203	1	1	1	1	1	1	-
			L1L009204	-	-	-	-	-	-	1
		CHINA	L1L009302	1	1	1	1	1	1	-
			L1L009303	-	-	-	-	-	-	1
2	INSTRUCTION MANUAL		122234L01	1	1	1	1	1	1	1
3	CLEANING BRUSH		457264-01	1	1	1	1	1	1	1
4	INLET HOSE		P03534-01	1	1	1	1	1	1	1
5	DRAIN HOSE		446730-01	1	1	1	1	1	1	1
6	HOSE CLAMP	25*30	435947-08	1	1	1	1	1	1	1
7	GRILLE		259896P01	1	1	1	1	1	1	1

