



# First Choice Group

SPARE PARTS DIAGRAM FOR



## HOSHIZAKI

### Ice Machine

IM-100NE

IM-100NE-21

IM-100NE-23

IM-100NE-C

IM-100NE(KR)

IM-100NE-23(KR)

IM-100NE-21(KR)

IM-100WNE

IM-100WNE-21

IM-100WNE-23

IM-100WNE(KR)

IM-100WNE-21(KR)

IM-100NE(HS)

IM-100NE-23(HS)

IM-100NE-21(HS)

First Choice Group  
Blakeney Way, Kingswood Lakeside  
Cannock, Staffs, WS11 8LD  
TEL: 01543 577778 FAX: 01543504141  
Email: [enquires@firstchoice-cs.co.uk](mailto:enquires@firstchoice-cs.co.uk)  
Web: [www.firstchoice-cs.co.uk](http://www.firstchoice-cs.co.uk)



SELF-CONTAINED CUBER

## PARTS LIST

[HE] [KOREA(60Hz)] [HS]

E1FE

E1FE-D001,D002,D003,D004,D005,D006,D007,D008,D009

E1FE-D013,D014,D016,D017,D018,D019,D020,D023,D024

E1FE-D025

B-1 OCT. 2012

C-0 JAN. 2013

D-0 JAN. 2014

E-0 JAN. 2015

F-0 JAN. 2016

G-0 JAN. 2017

G-1 APR. 2017

G-2 AUG. 2017

G-3 NOV. 2017

H-0 JAN. 2018

J-1 JUL. 2019

IM-100NE

IM-100NE-21

IM-100NE-23

IM-100NE-C

IM-100NE(KR)

IM-100NE-23(KR)

IM-100NE-21(KR)

IM-100WNE

IM-100WNE-21

IM-100WNE-23

IM-100WNE(KR)

IM-100WNE-21(KR)

IM-100NE(HS)

IM-100NE-23(HS)

IM-100NE-21(HS)

## List of Specifications

IM-100NE	E1FE	Standard
IM-100NE-23	E1FE-D001	23mm ICE of IM-100NE
IM-100WNE	E1FE-D002	Water cooled
IM-100NE-21	E1FE-D003	21mm ICE of IM-100NE
IM-100NE	E1FE-D004	60Hz
IM-100NE-21	E1FE-D005	For KOREA 21mm ICE, 220V, 60Hz of IM-100NE
IM-100NE-23	E1FE-D006	For KOREA 23mm ICE, 220V, 60Hz of IM-100NE
IM-100WNE-21	E1FE-D007	21mm ICE of IM-100WNE
IM-100WNE	E1FE-D008	Water cooled, 60Hz
IM-100WNE-21	E1FE-D009	For KOREA 21mm ICE, 220V, 60Hz of IM-100WNE
IM-100NE-C	E1FE-D013	Cylinder ICE of IM-100NE
IM-100WNE-23	E1FE-D014	For HE 23mm ICE of IM-100WNE
IM-100NE(KR)	E1FE-D016	For KOREA power cord: hard-wired type
IM-100NE-23(KR)	E1FE-D017	For KOREA 23mm ICE of IM-100NE power cord: hard-wired type
IM-100NE-21(KR)	E1FE-D018	For KOREA 21mm ICE of IM-100NE power cord: hard-wired type
IM-100WNE(KR)	E1FE-D019	For KOREA Water cooled power cord: hard-wired type
IM-100WNE-21(KR)	E1FE-D020	For KOREA Water cooled 21mm ICE power cord: hard-wired type
IM-100NE(HS)	E1FE-D023	For Singapore special water valve
IM-100NE-23(HS)	E1FE-D024	23mm ICE for Singapore special water valve
IM-100NE-21(HS)	E1FE-D025	21mm ICE for Singapore special water valve

## AUXILIARY CODE

U - 1

The auxiliary code is the first two characters in the serial number. The first character indicates the production year. Years progress or regress in alphabetical order. The series of letters and skipped letters depend on UL listing, production, and model. See the auxiliary code(s) and corresponding year(s) on the front cover.

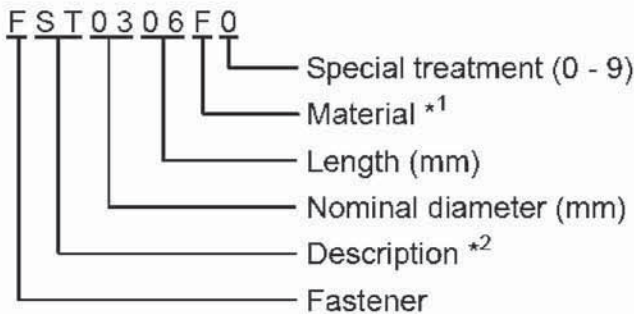
The second character indicates significant part changes within the same year. Base is "1" and this number advances for each change. If there is no significant part change at the turn of the year, this number starts from "0."

## MARKS LOCATED UNDER THE AUXILIARY CODE

- = Part deleted.
- x = Part deleted and replaced by "o" part.
- o = New part in place of "x" part.

## FASTENER PART NUMBER

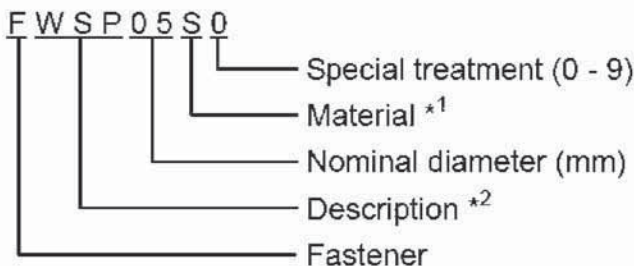
### SCREWS



\*1 Material

- F: Steel
- S: Austenitic stainless steel
- M: Martensitic stainless steel
- B: Copper alloy
- P: Polycarbonate
- N: Polyamide
- V: PVC
- A: ABS
- X: Polyacetal
- L: Aluminum

### NUTS & WASHERS

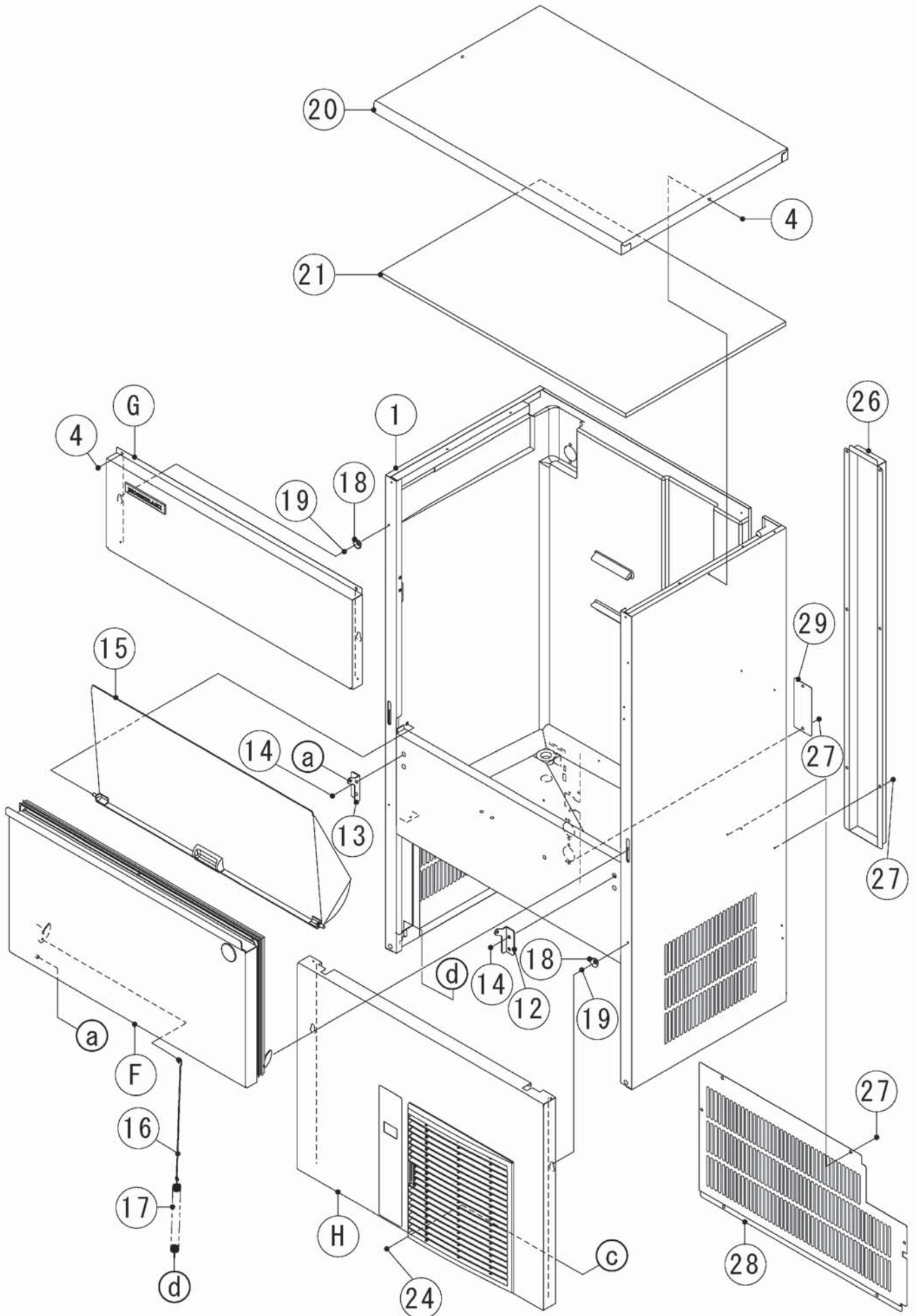


\*2 Description

- First letter
- S: Machine screw
- T: Tapping screw
- M: Wood screw
- B: Bolt
- W: Washer
- N: Nut

IM-100NE(-21,-23,-C)  
IM-100WNE(-21,-23)  
IM-130NE(-21,-23)  
IM-130WNE(-23)

A. ICE CUBBER ASSY (1/2) (B-1) and later



IM-100NE(-21,-23,-C)

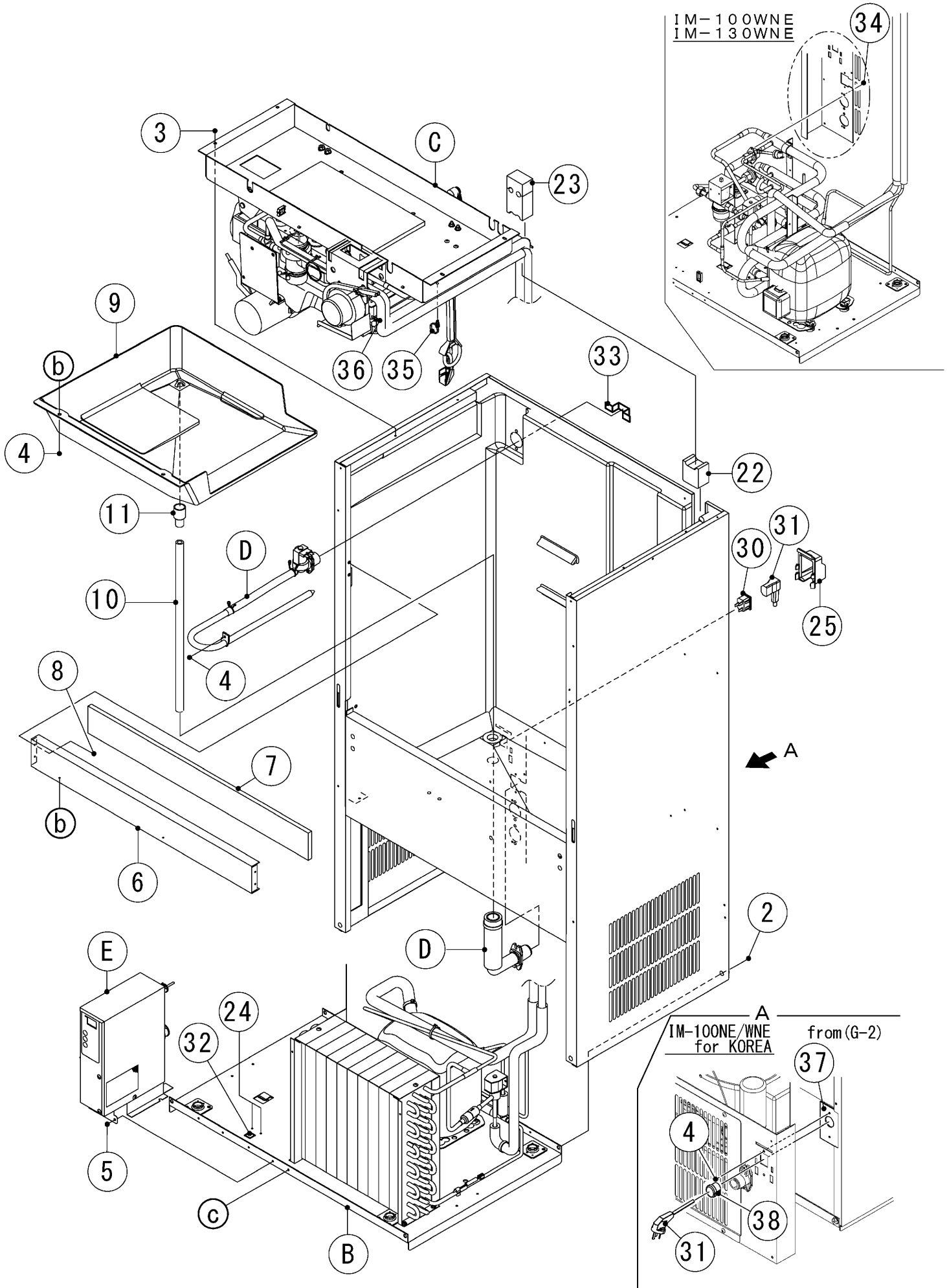
IM-100WNE(-21,-23)

IM-130NE(-21,-23)

IM-130WNE(-23)

A. ICE CUBBER ASSY (2/2)

(B-1) and later



HE,KOREA(60Hz),HS

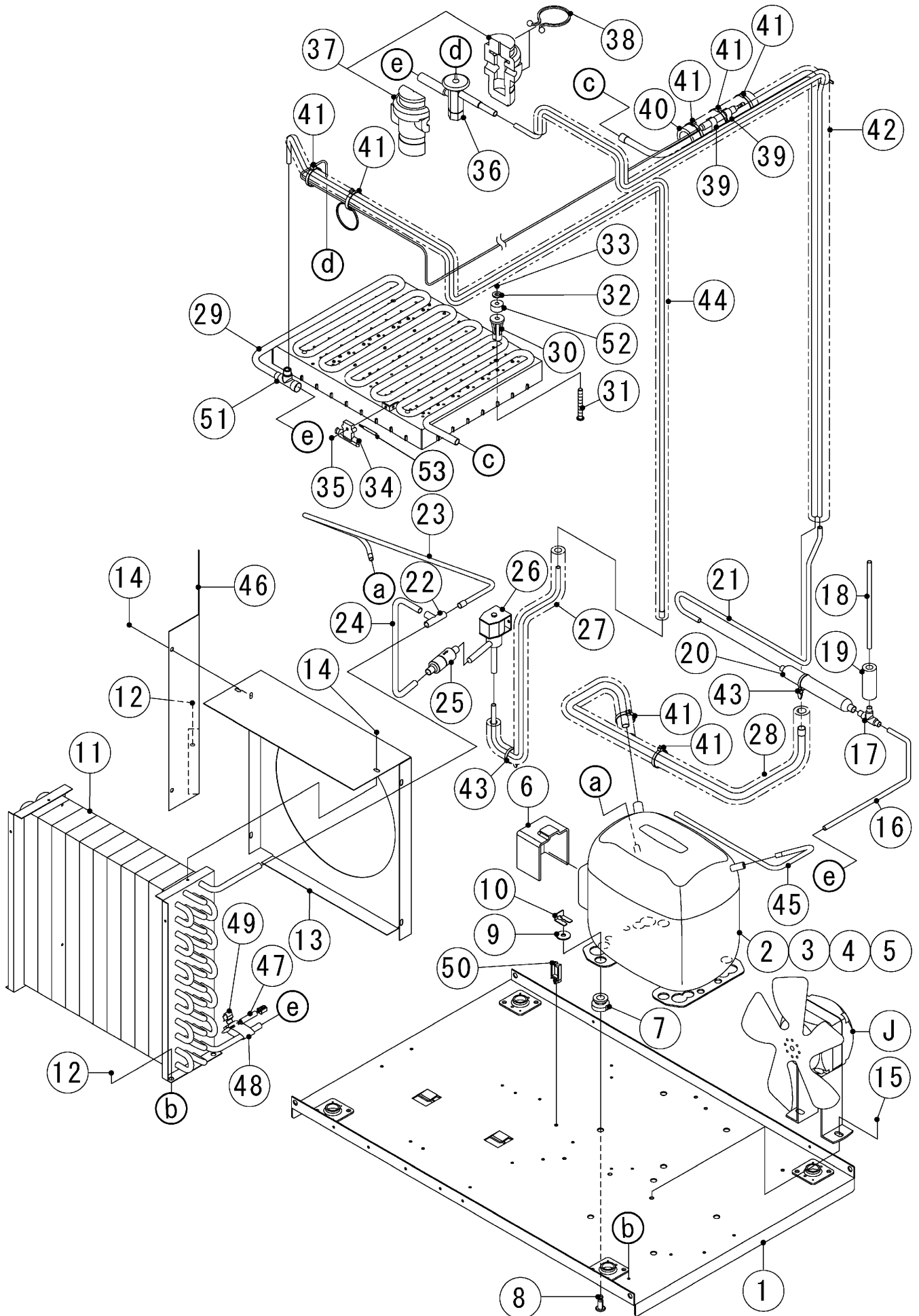
MODEL: <b>IM-100NE(-21,-23,-C)</b> <b>IM-100WNE(-21,-23)</b>		TITLE: <b>A.ICE CUBER ASSY</b>						
INDEX NO.	DESCRIPTION	MATERIAL OR MODEL NUMBER	PART	REQ'D NUMBER				
			NUMBER	B-1 G-0	G-1	G-2	G-3 J-0	J-1
B	REFRIGERATION ASSY	(100NE)	1H4953A01	1	1	1	-	-
			1H6006A01	-	-	-	1	1
		(100NE-21,-23,-C)	1H4953A01	1	1	1	1	1
		(100WNE)	1H5155A01	1	1	1	-	-
			1H6008A01	-	-	-	1	1
(100WNE-21,-23)	1H5155A01	1	1	1	1	1		
C	MECHANISM ASSY		1H4992A01	1	1	1	1	1
		(100NE-C)	1H5391A01	1	1	1	1	1
D	WATER CIRCUIT ASSY		3Y6135A01	1	1	1	1	1
E	CONTROL BOX ASSY	(100NE,100WNE)	2X1252A01	1	1	1	-	-
			2X3408A01	-	-	-	1	-
			2X3408A02	-	-	-	-	1
		(100NE-21,-23,-C) (100WNE-21,-23)	2X1252A01	1	1	1	1	1
F	DOOR ASSY		3Y5436A01	1	1	1	1	1
G	FRONT COVER UPPER ASSY		3Y6139A01	1	1	1	1	1
H	FRONT COVER LOWER ASSY		3Y6141A01	1	1	1	1	1
		(100WNE,-21,-23)	3Y6621A01	1	1	1	1	1
1	UNIT BODY		1H4951G01	1	1	1	1	1
2	TAPPING SCREW - HEX		442040-01	4	4	4	4	4
3	TRUSS HEAD MACHINE SCREW		FST0410S0	4	4	4	4	4
4	TRUSS HEAD MACHINE SCREW		FST0408S0	7	7	7	7	7
		(KOREA)		-	-	9	9	9
5	FLANGE BOLT (S-TITE)		FTR0408M0	2	2	2	2	2
6	FRONT FRAME		3Y6546M01	1	1	1	1	1
7	INSULATION - FRONT FRAME		4H2687-01	1	1	1	1	1
8	RIVET	SSD42SSBS(t1.6~3.2)	7170-0002	4	4	4	4	4
9	DRAIN PAN		2H1935-01	1	1	1	1	1
10	DRAIN PIPE		4Y7493P05	1	1	1	1	1
11	DRAIN TUBE		4H2585-01	1	1	1	1	1
12	HINGE (RIGHT)		4H2583-01	1	1	1	1	1
13	HINGE (LEFT)		4H2584-01	1	1	1	1	1
14	HEX HEAD BOLT (SPRING WASHER AND FLAT WASHER)		FBK0616S0	4	4	4	4	4
15	SLOPE		3H2978G01	1	1	1	1	1
16	HOOK		4H2685-01	1	1	1	1	1
17	SPRING		4H0823-01	1	1	1	1	1





IM-100NE(-21,-23,-C)  
IM-130NE(-21,-23)

B. REFRIGERATION ASSY (B-1) and later



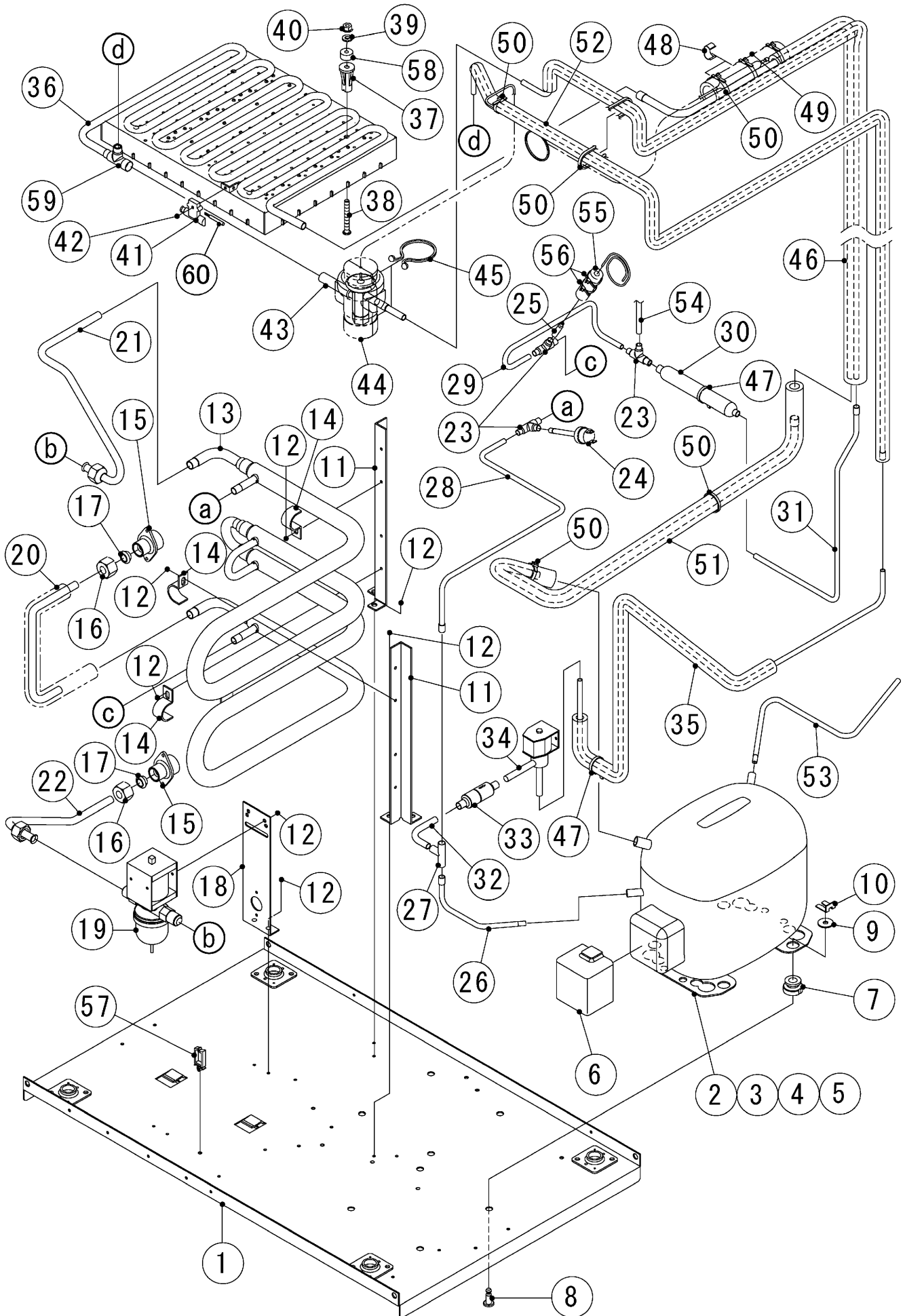
HE,KOREA(60Hz),HS

MODEL: <b>IM-100NE(-21,-23,-C)</b>			TITLE: <b>B.REFRIGERATION ASSY</b>					
INDEX NO.	DESCRIPTION	MATERIAL OR MODEL NUMBER	PART	REQ'D NUMBER				
			NUMBER	B-1 G-0	G-1	G-2	G-3 J-0	J-1
J	FAN MOTOR ASSY		3Y6055A01	1	1	1	1	1
1	BASE(G)		3Y6034G01	1	1	1	1	1
2	COMPRESSOR		452236-01	1	1	1	1	1
3	STARTING RELAY		452237-01	1	1	1	1	1
4	START CAPACITOR		456350-01	1	1	1	1	1
5	CORD RELIEF		452239-01	1	1	1	1	1
6	COVER		459924-01	1	1	1	1	1
7	RUBBER GROMMET		450897-01	4	4	4	4	4
8	STEEL PIN		452255-01	4	4	4	4	4
9	WASHER CUSHION		450894-01	4	4	4	4	4
10	CLIP		452256-01	4	4	4	4	4
11	CONDENSER		P03383-01	1	1	1	1	1
12	FLANGE BOLT (S-TITE)		FTR0408M0	5	5	5	5	5
13	SHROUD		3Y6035M01	1	1	1	1	1
14	TRUSS HEAD TAPPING SCREW T2		FT20408F0	6	6	6	6	6
15	HEX HEAD BOLT (SPRING WASHER AND FLAT WASHER)		FBK0612F0	2	2	2	2	2
16	PIPE(A) - HIGH SIDE		4Y7464M01	1	1	1	1	1
17	TEE		456655-01	1	1	1	1	1
18	PROCESS TUBE		4Y0273-01	1	1	1	1	1
19	INSULATION TUBE		H71020050	1	1	1	1	1
20	DRIER		458776-01	1	1	1	1	1
21	PIPE(C) - HIGH SIDE		3Y6037M01	1	1	1	1	1
22	TEE		420041-11	1	1	1	1	1
23	PIPE(B) - HIGH SIDE		3Y6036M01	1	1	1	1	1
24	PIPE(A) - HOT GAS		4Y7465M01	1	1	1	1	1
25	STRAINER		P00812-01	1	1	1	1	1
26	HOT GAS VALVE	(50Hz)	P04242-01	1	1	1	1	1
		(60Hz)	P01871-01	1	1	1	1	1
27	PIPE(C) - HOT GAS		3Y6038G01	1	1	1	1	1
28	PIPE(B) - LOW SIDE		3Y6039G01	1	1	1	1	1
29	EVAPORATOR		2H6438G03	1	1	1	-	-
			2X2463G01	-	-	-	1	1
		(100NE-21)	2H0716G02	1	1	1	1	1
	EVAPORATOR 23MM	(100NE-23)	2H1836G01	1	1	1	1	1
	EVAPORATOR	(100NE-C)	2X0260G01	1	1	1	1	1



IM-100WNE(-21,-23)  
IM-130WNE(-23)

B. REFRIGERATION ASSY (B-1) and later



HE,KOREA(60Hz)

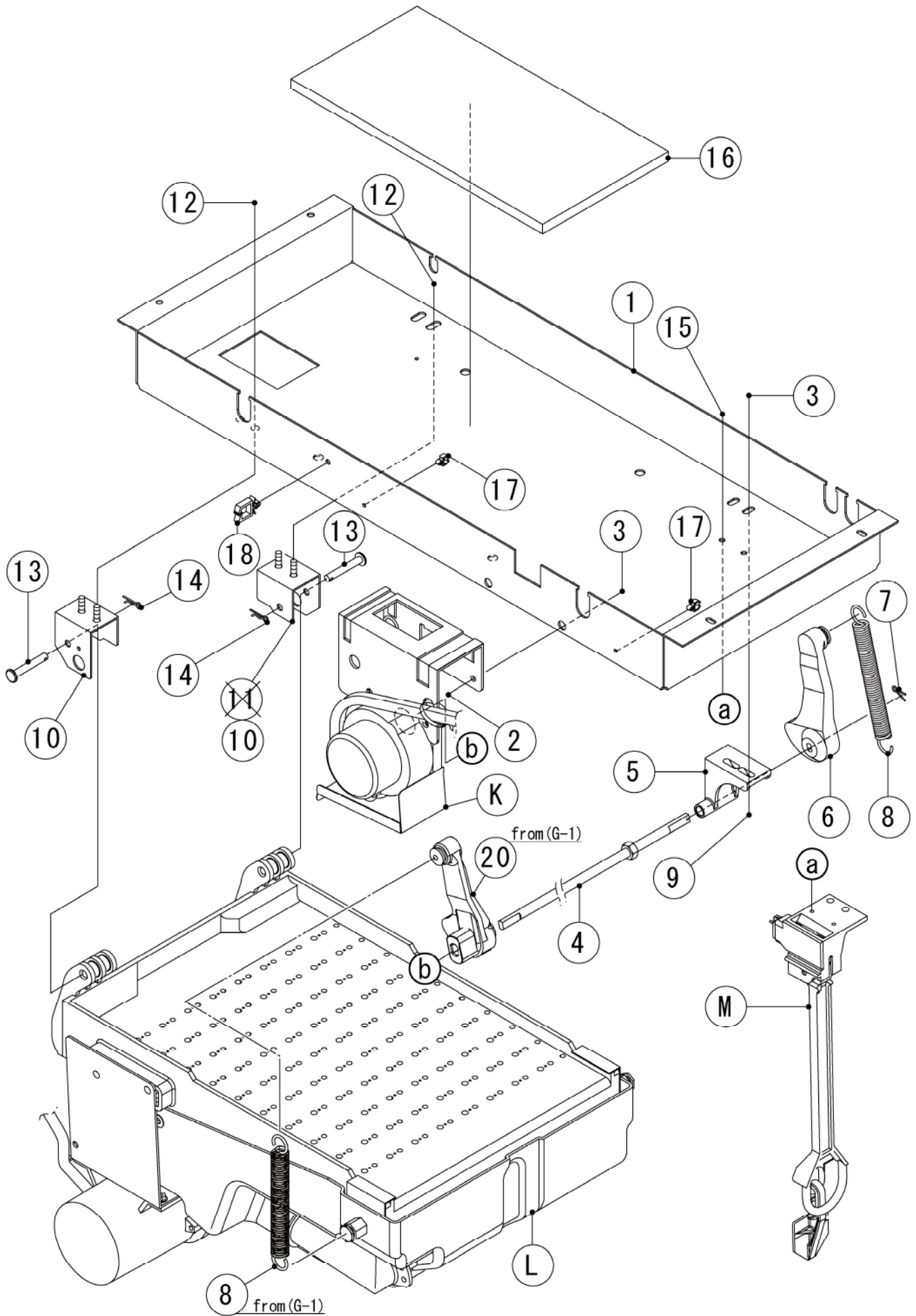
MODEL: <b>IM-100WNE(-21,-23)</b>			TITLE: <b>B.REFRIGERATION ASSY</b>					
INDEX NO.	DESCRIPTION	MATERIAL OR MODEL NUMBER	PART	REQ'D NUMBER				
			NUMBER	B-1 G-0	G-1	G-2	G-3 J-0	J-1
1	BASE(G)		3Y6034G01	1	1	1	1	1
2	COMPRESSOR		452236-01	1	1	1	1	1
3	STARTING RELAY		452237-01	1	1	1	1	1
4	START CAPACITOR		456350-01	1	1	1	1	1
5	CORD RELIEF		452239-01	1	1	1	1	1
6	COVER		459924-01	1	1	1	1	1
7	GROMMET		450897-01	4	4	4	4	4
8	STEEL PIN		452255-01	4	4	4	4	4
9	WASHER CUSHION		450894-01	4	4	4	4	4
10	CLIP		452256-01	4	4	4	4	4
11	BOLT EVAPORATOR LEG		4H0564-01	2	2	2	2	2
12	T2 TRUSS HEAD SCREW		FT20408F0	11	11	11	11	11
13	CONDENSER / W		2H9059G01	1	1	1	1	1
14	CLAMP(B) - CONDENSER		4H0622-01	3	3	3	3	3
15	FITTING(P)		3Y0747-01	2	2	2	2	2
16	NUT (A) - FITTING		415713-03	2	2	2	2	2
17	TAPPERED PACKING		415715-01	2	2	2	2	2
18	BRACKET - WATER REGURATOR		4X5632-01	1	1	1	1	1
19	WATER REGULATOR		P04020-01	1	1	1	1	1
20	PIPE(A) - WATER		4Y7738G01	1	1	1	1	1
21	PIPE(B) - WATER		4Y7740G01	1	1	1	1	1
22	PIPE(C) - WATER		4Y7739G01	1	1	1	1	1
23	TEE		456655-01	3	3	3	3	3
24	PRESSURE SWITCH	R134a,R22,R404A	459863-01	1	1	1	1	1
25	SLEEVE		441322-01	1	1	1	1	1
26	PIPE(A) - HIGH SIDE		4Y7741M01	1	1	1	1	1
27	TEE		420041-11	1	1	1	1	1
28	PIPE(B) - HIGH SIDE		3Y6617M01	1	1	1	1	1
29	PIPE(C) - HIGH SIDE		4Y7742M01	1	1	1	1	1
30	DRIER		458776-01	1	1	1	1	1
31	PIPE(D) - HIGH SIDE		4Y7744M01	1	1	1	1	1
32	PIPE(A) - HOT GAS		4Y7743M01	1	1	1	1	1
33	STRAINER		P00812-01	1	1	1	1	1
34	HOT GAS VALVE	(50Hz)	P04242-01	1	1	1	1	1
		(60Hz)	P01871-01	1	1	1	1	1
35	PIPE(B) - HOTGAS		3Y6618G01	1	1	1	1	1



IM-100NE(-21,-23,-C)  
IM-100WNE(-21,-23)  
IM-130NE(-21,-23)  
IM-130WNE(-23)

### C. MECHANISM ASSY

(B-1) and later







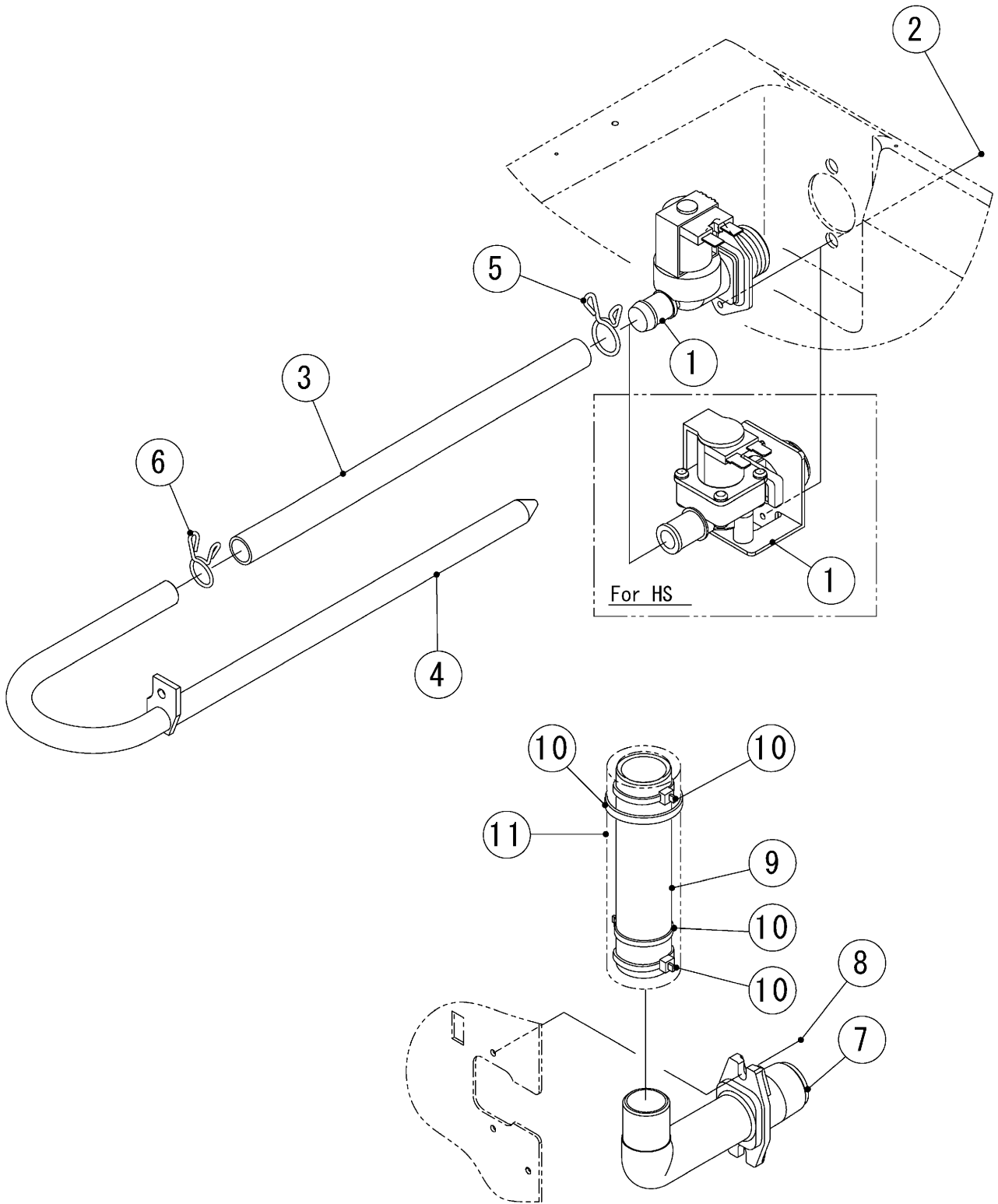
IM-100NE(-21,-23,-C)

IM-100WNE(-21,-23)

IM-130NE(-21,-23)

IM-130WNE(-23) D. WATER CIRCUIT ASSY

(B-1) and later

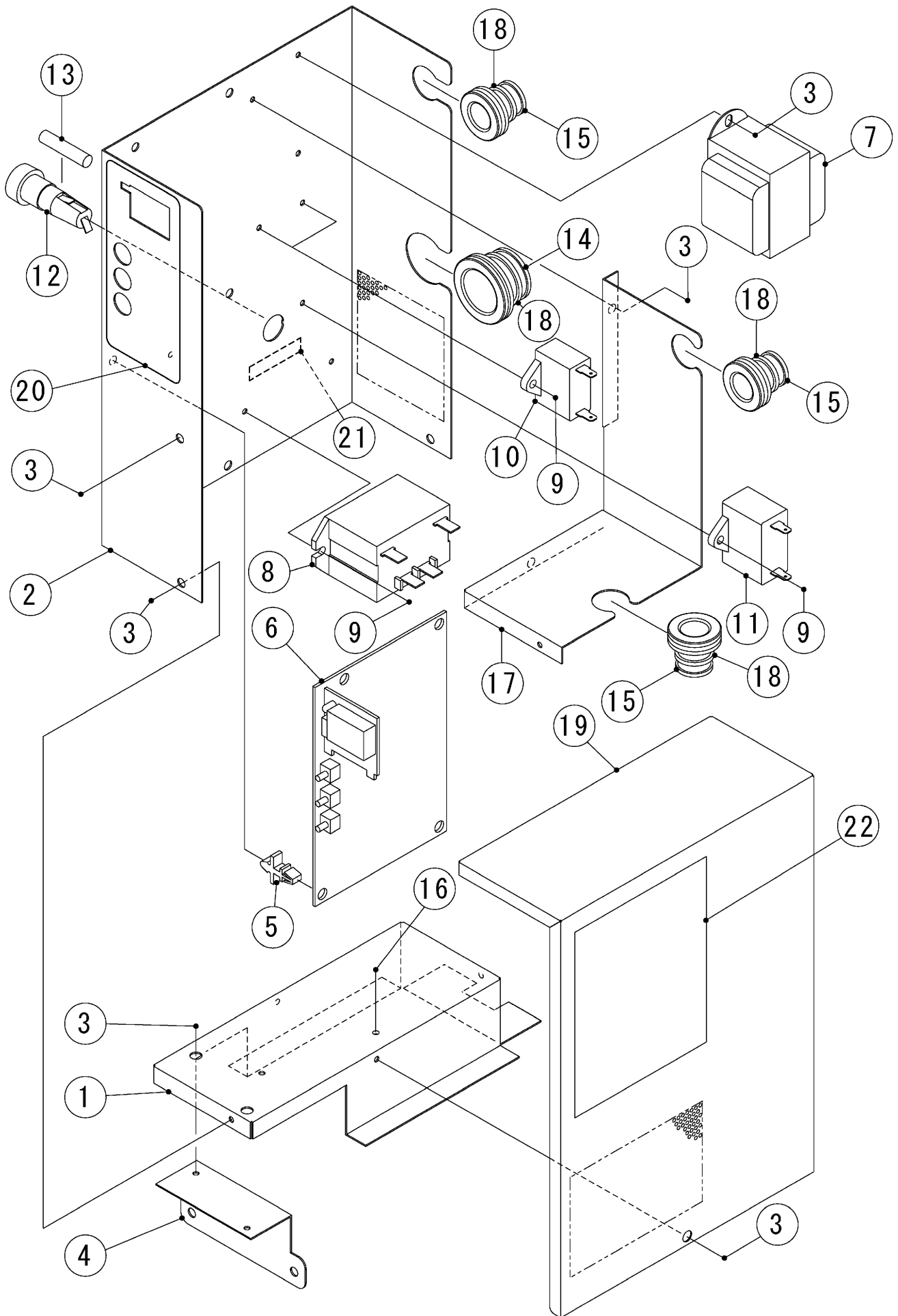




IM-100NE(-21, -23, -C)  
IM-100WNE(-21, -23)  
IM-130NE(-21, -23)  
IM-130WNE(-23)

E. CONTROL BOX ASSY

(B-1) and later

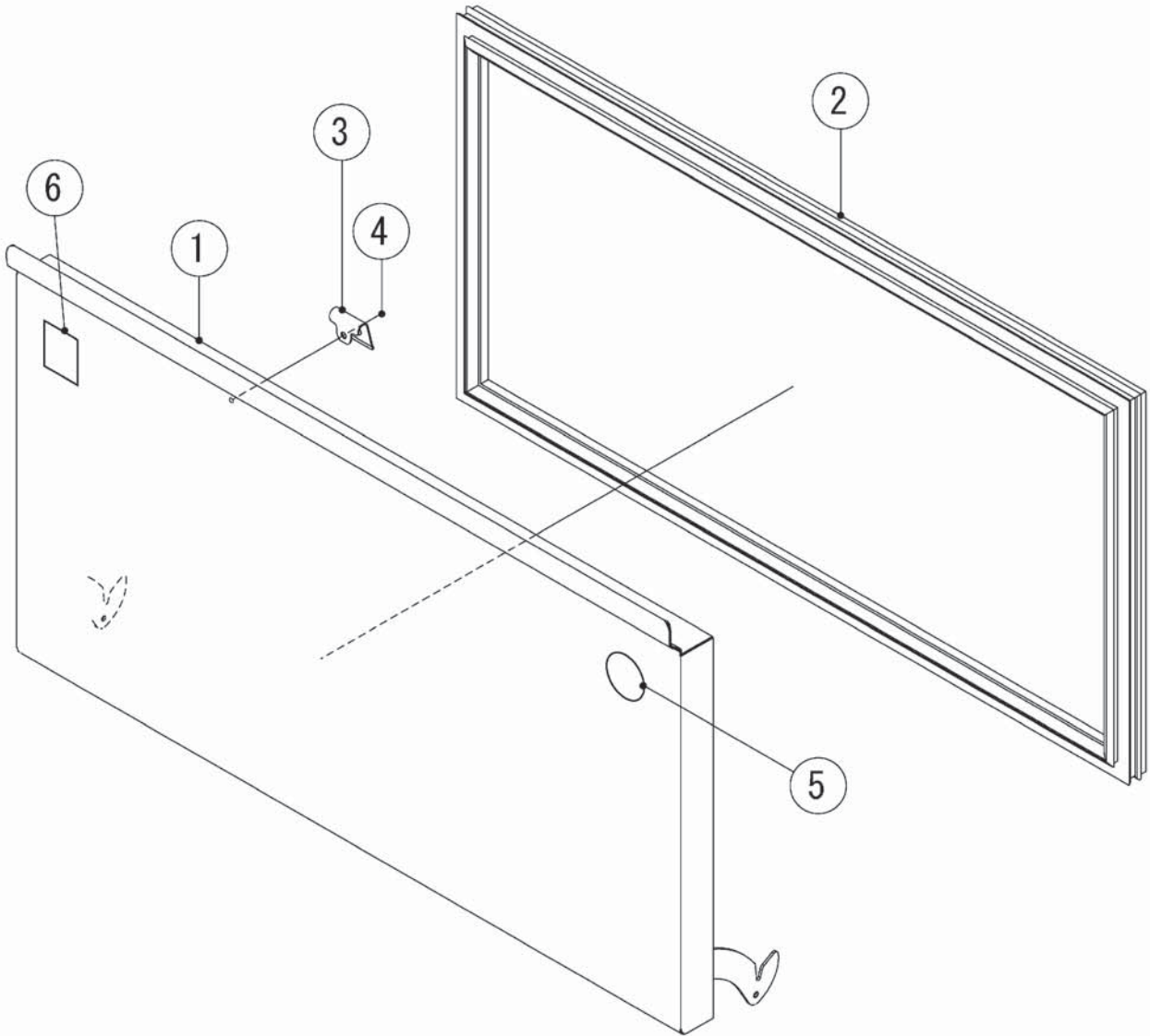




IM-100NE(-21,-23,-C)  
IM-100WNE(-21,-23)  
IM-130NE(-21,-23)  
IM-130WNE(-23)

### F. DOOR ASSY

(B-1) and later



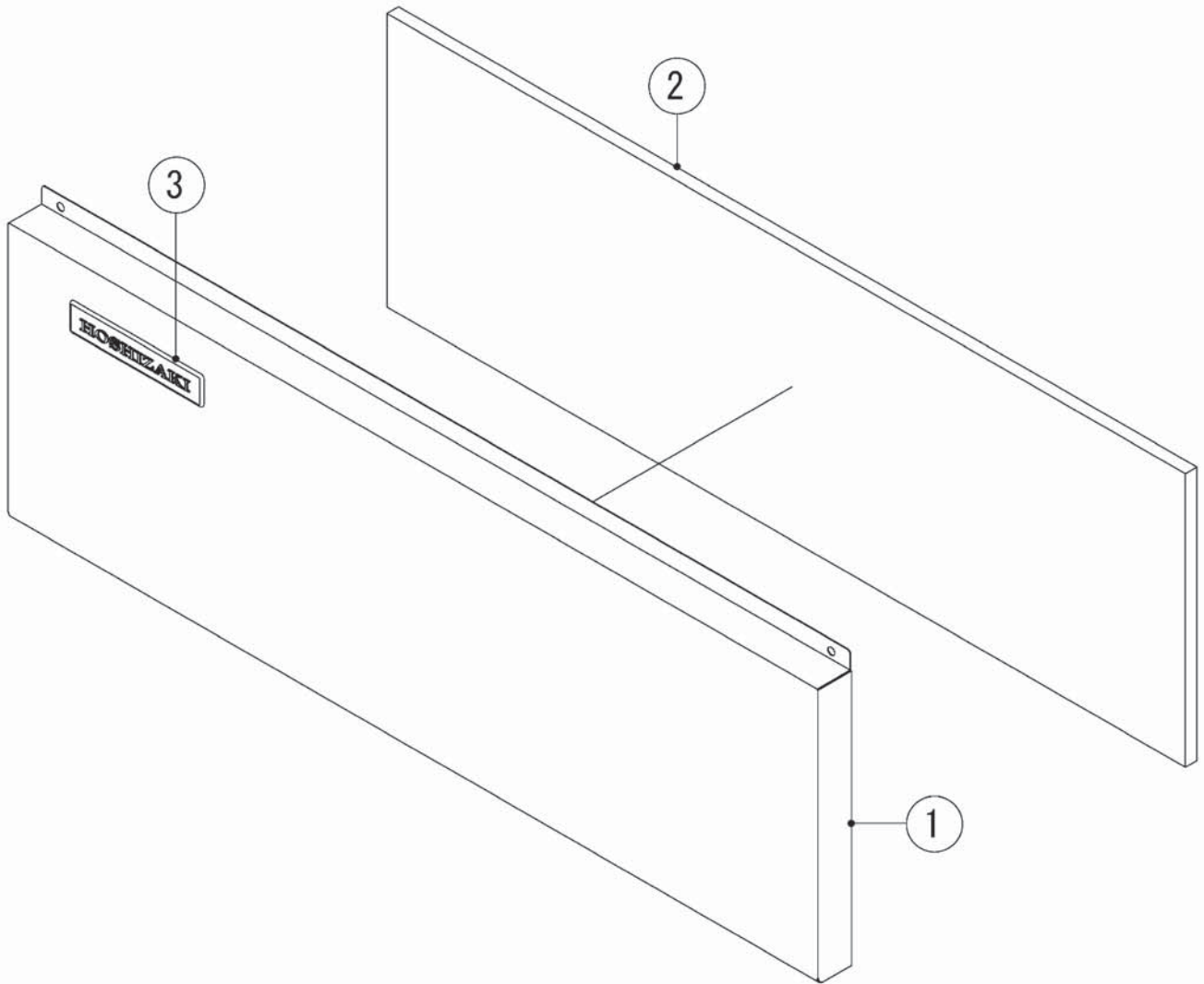


IM-100NE(-21,-23,-C)

IM-100WNE(-21,-23)

IM-130NE(-21,-23)

IM-130WNE(-23) **G. FRONT COVER UPPER ASSY** (B-1) and later

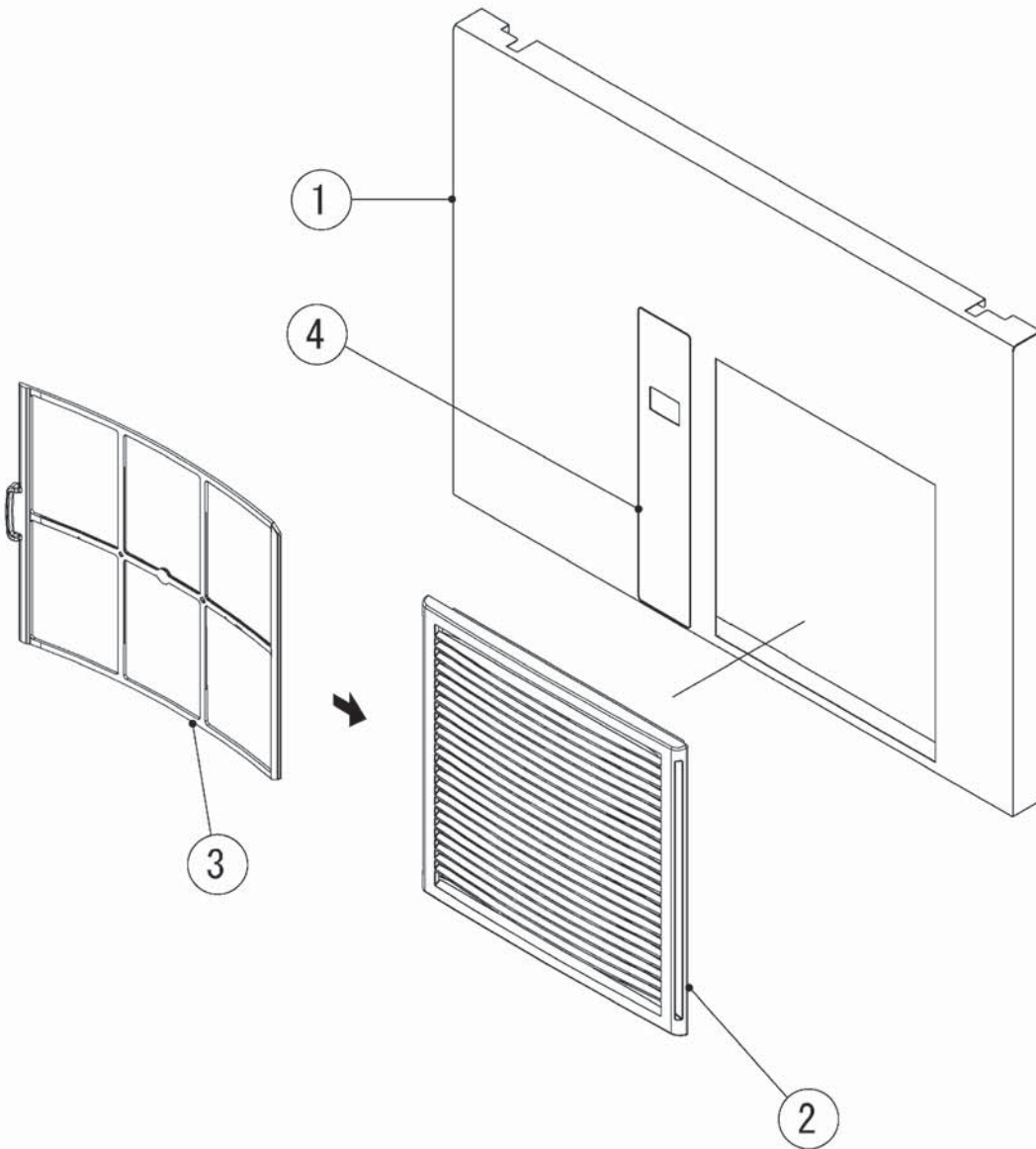






IM-100NE(-21,-23,-C)  
IM-100WNE(-21,-23)  
IM-130NE(-21,-23)  
IM-130WNE(-23)

H. FRONT COVER LOWER ASSY (B-1) and later

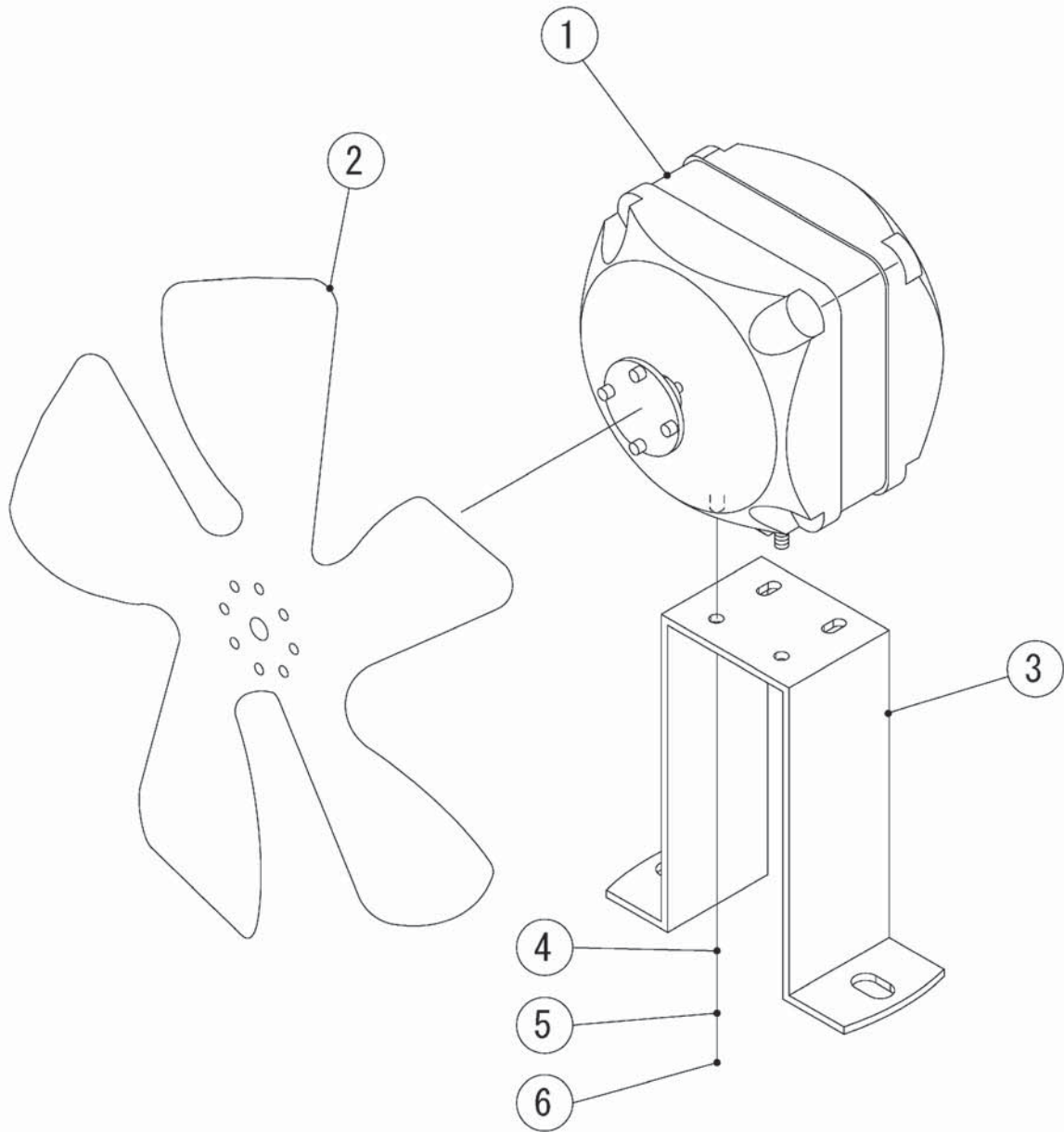




IM-100NE(-21,-23,-C)  
IM-100WNE(-21,-23)  
IM-130NE(-21,-23)  
IM-130WNE(-23)

J. FAN MOTOR ASSY

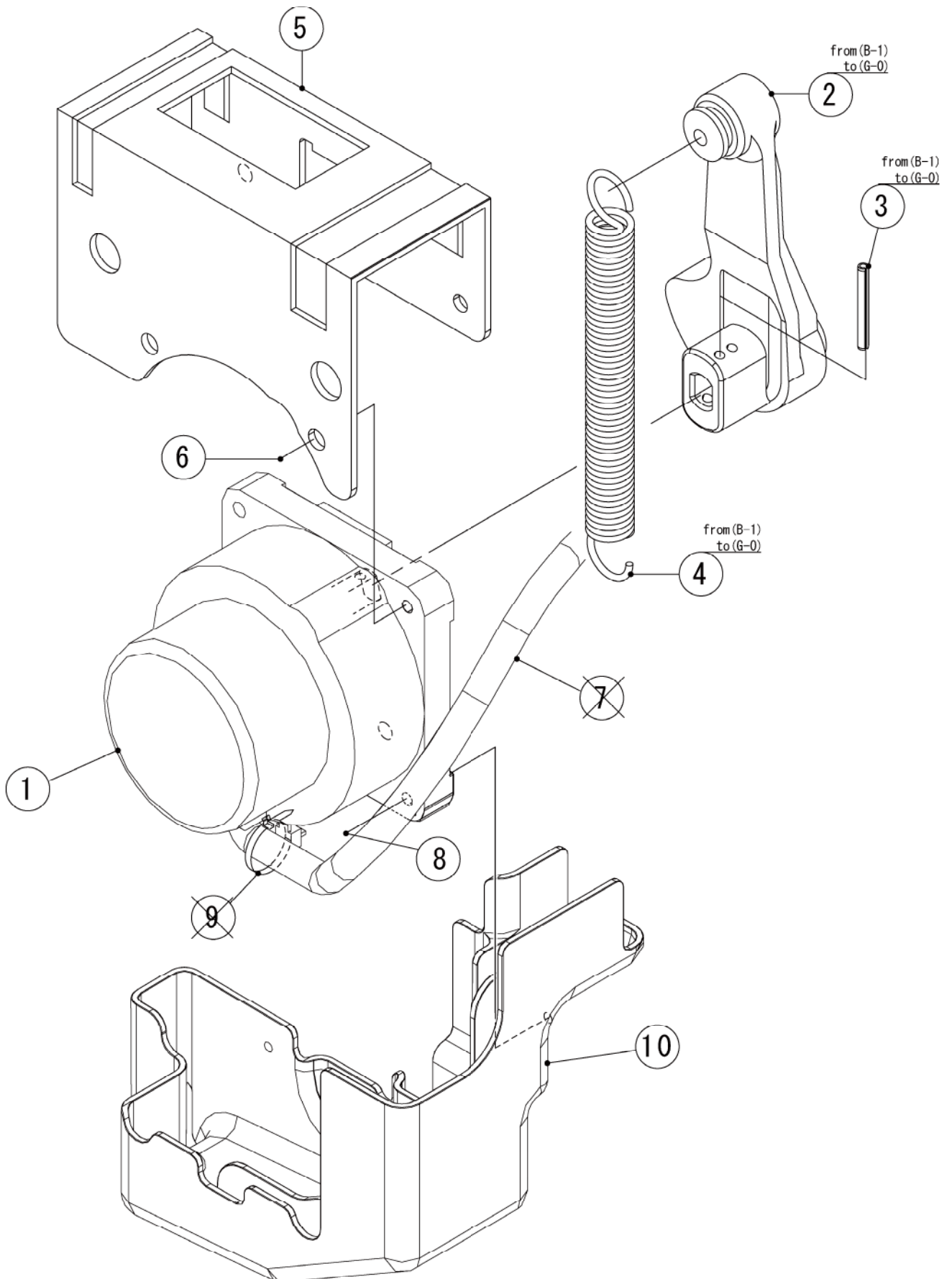
(B-1) and later





IM-100NE(-21,-23,-C)  
IM-100WNE(-21,-23)  
IM-130NE(-21,-23)  
IM-130WNE(-23)

K. ACTUATOR MOTOR ASSY (B-1) and later

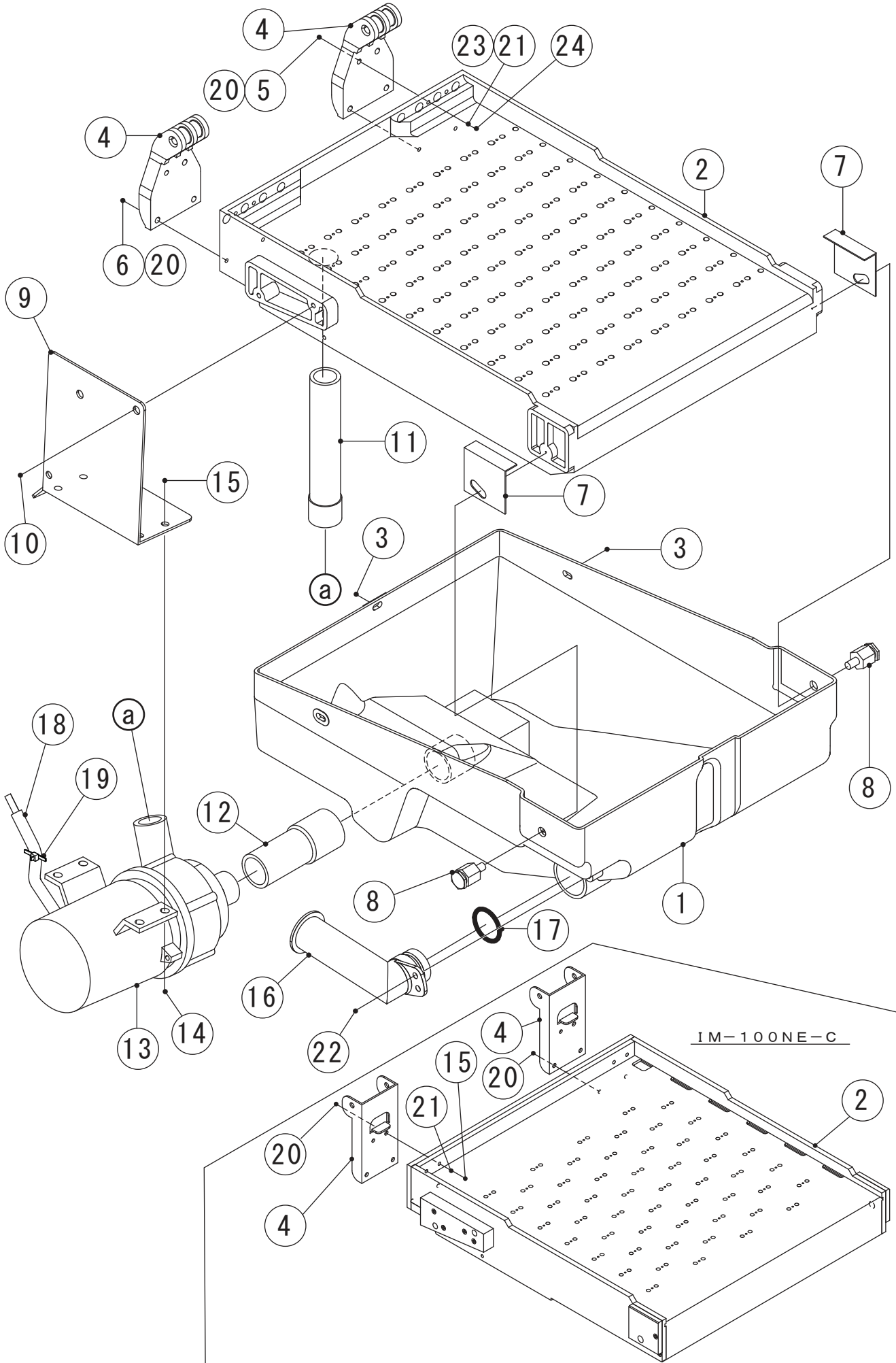




IM-100NE(-21,-23,-C)  
IM-100WNE(-21,-23)  
IM-130NE(-21,-23)  
IM-130WNE(-23)

L. WATER PAN ASSY

(B-1) and later







IM-100NE(-21,-23,-C)

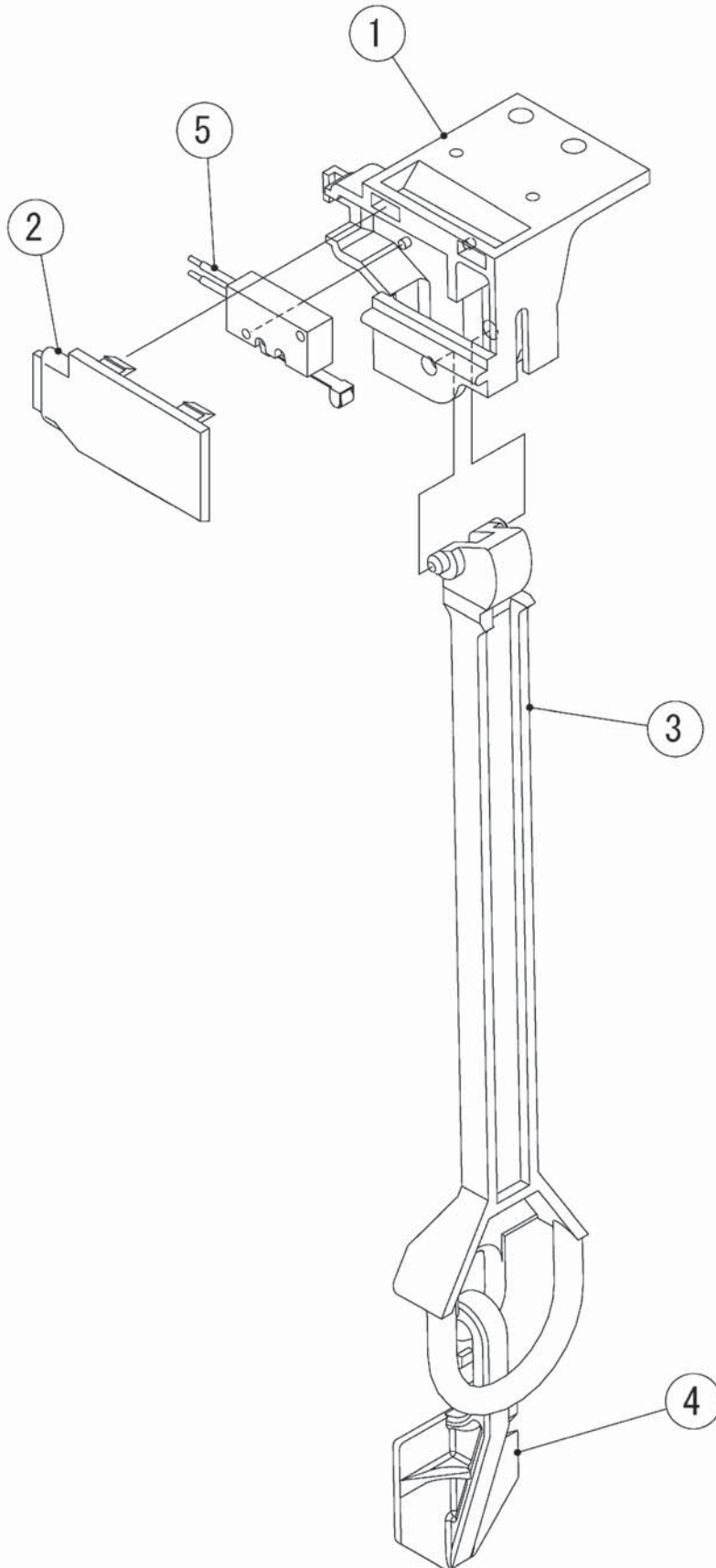
IM-100WNE(-21,-23)

IM-130NE(-21,-23)

IM-130WNE(-23)

# M. BIN CONTROL SWITCH

(B-1) and later





IM-100NE(-21,-23,-C)  
IM-100WNE(-21,-23)  
IM-130NE(-21,-23)  
IM-130WNE(-23)

N. ACCESSORIES

(B-1) and later

