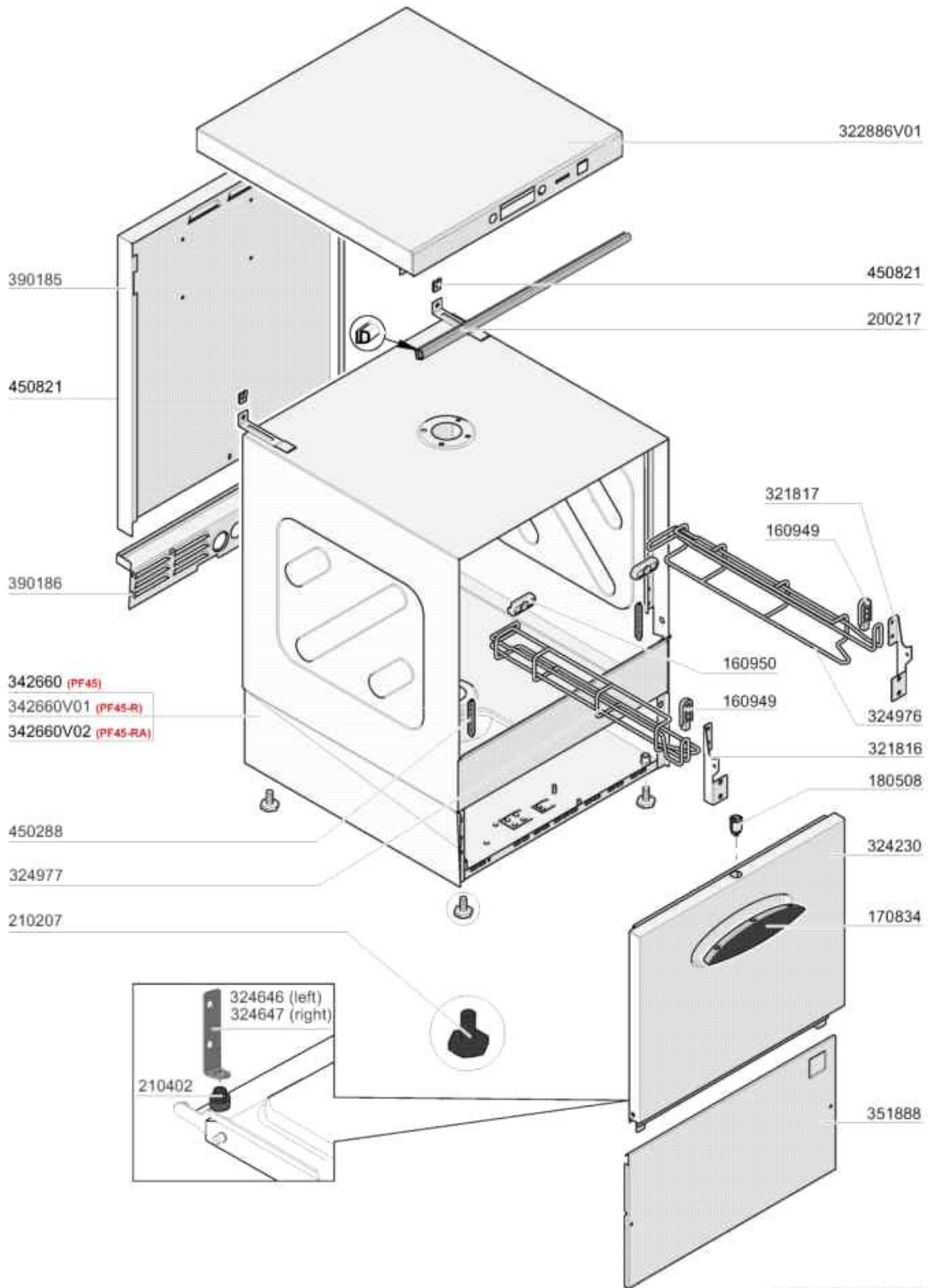
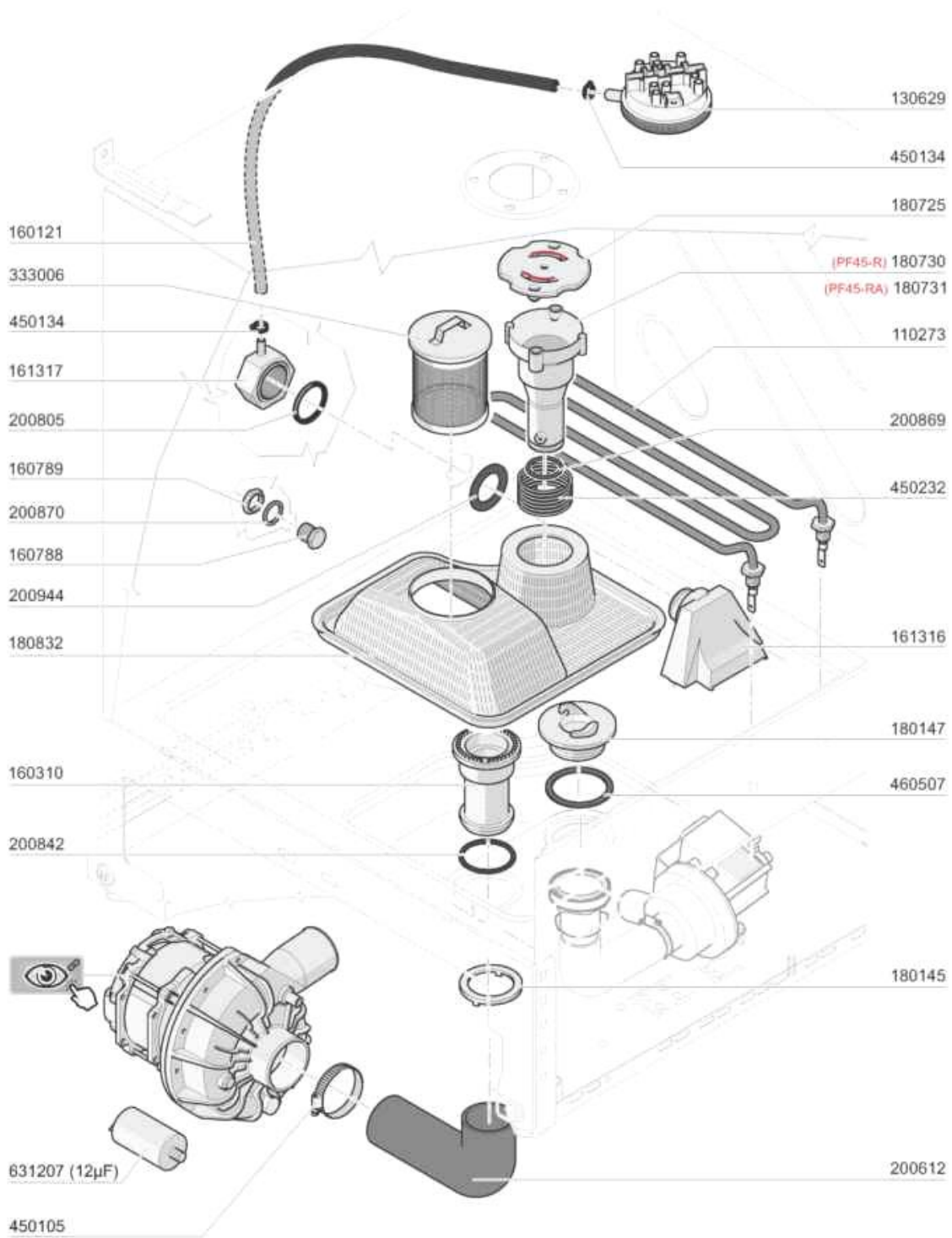


- 
- 1 HOOD
  - 2 TANK
  - 3 WASH
  - 4 RINSE+SOFTENER+RCD
  - 5 Wash and rinse ARM
  - 6 Pumps
  - 7 Olympia pumps series 100820
  - 8 Softener pump
  - 9 Control Box
  - 11 Drain Pump
  - 12 Detergent Dispenser
  - 13 Detergent dispenser >>> 03/2021
  - 14 Rinse aid injector

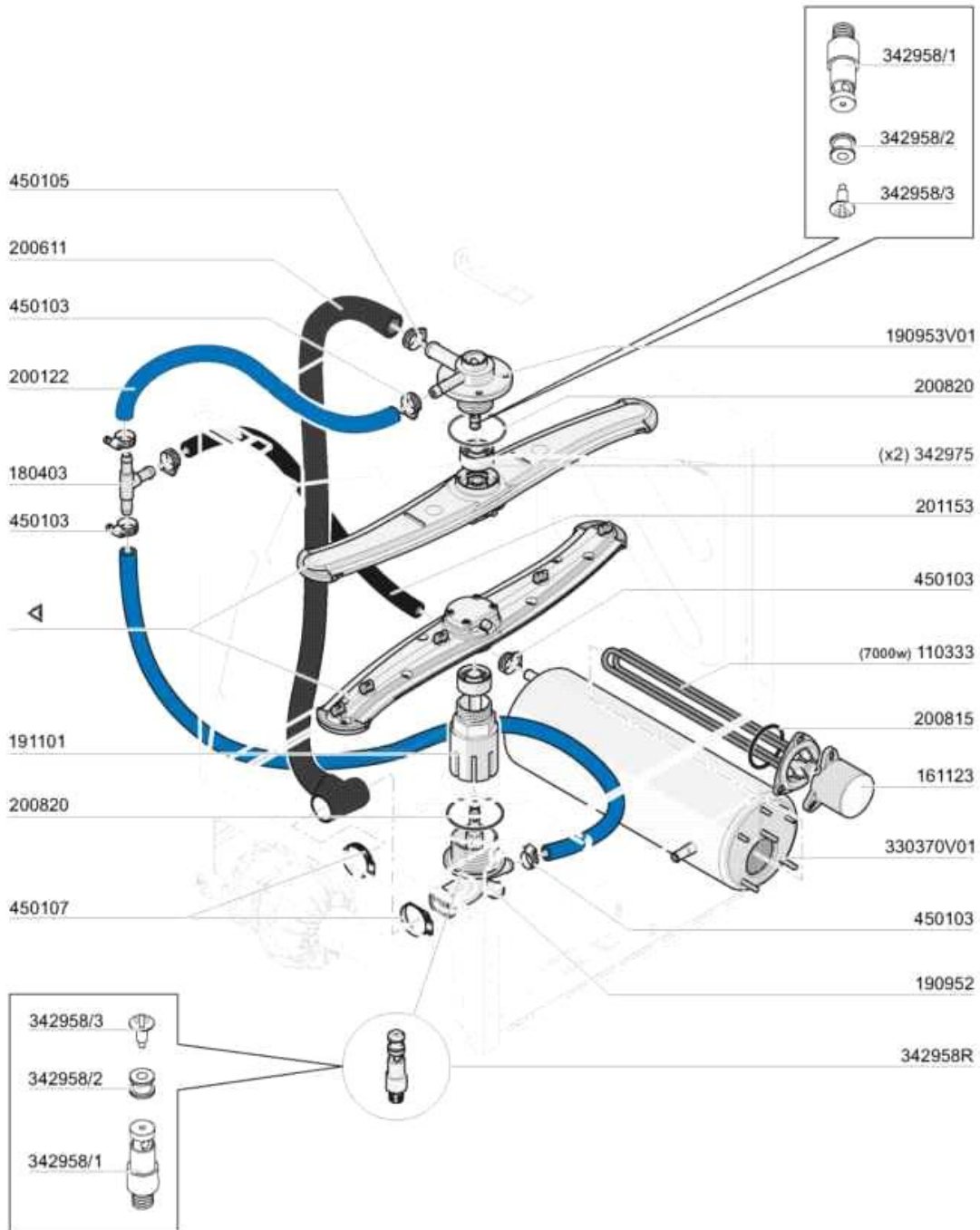


Code	Description	Price (€)
160949	FRONT FIXING FOR GUIDE	
160950	BACK FIXING FOR GUIDE	
170834	PF-PB HANDLE	
180508	DOOR CATCH	
200217	DOOR JOINT	
210207	FOOT BHC	
210402	PAD FOR DOOR 15-149	
321816	G/ CHARNIERE PORTE CE60	
321817	D/ CHARNIERE PORTE CE60	
322886V01	COVER PF	
324230		
324646		
324647		
324976	RAIL PANIER DROITE CE60	
324977	RAIL PANIER GAUCHE CE60	
342660	HOOD CE60	
342660V01		
342660V02		
351888	FRONT PANEL LF2004	
390185	BACK PANEL LF2004	
390186	PANEL	
450288	DOOR SPRING	
450821	SPRING CLIP FASTENER SNU 3634	



06 - 2022 A. B.

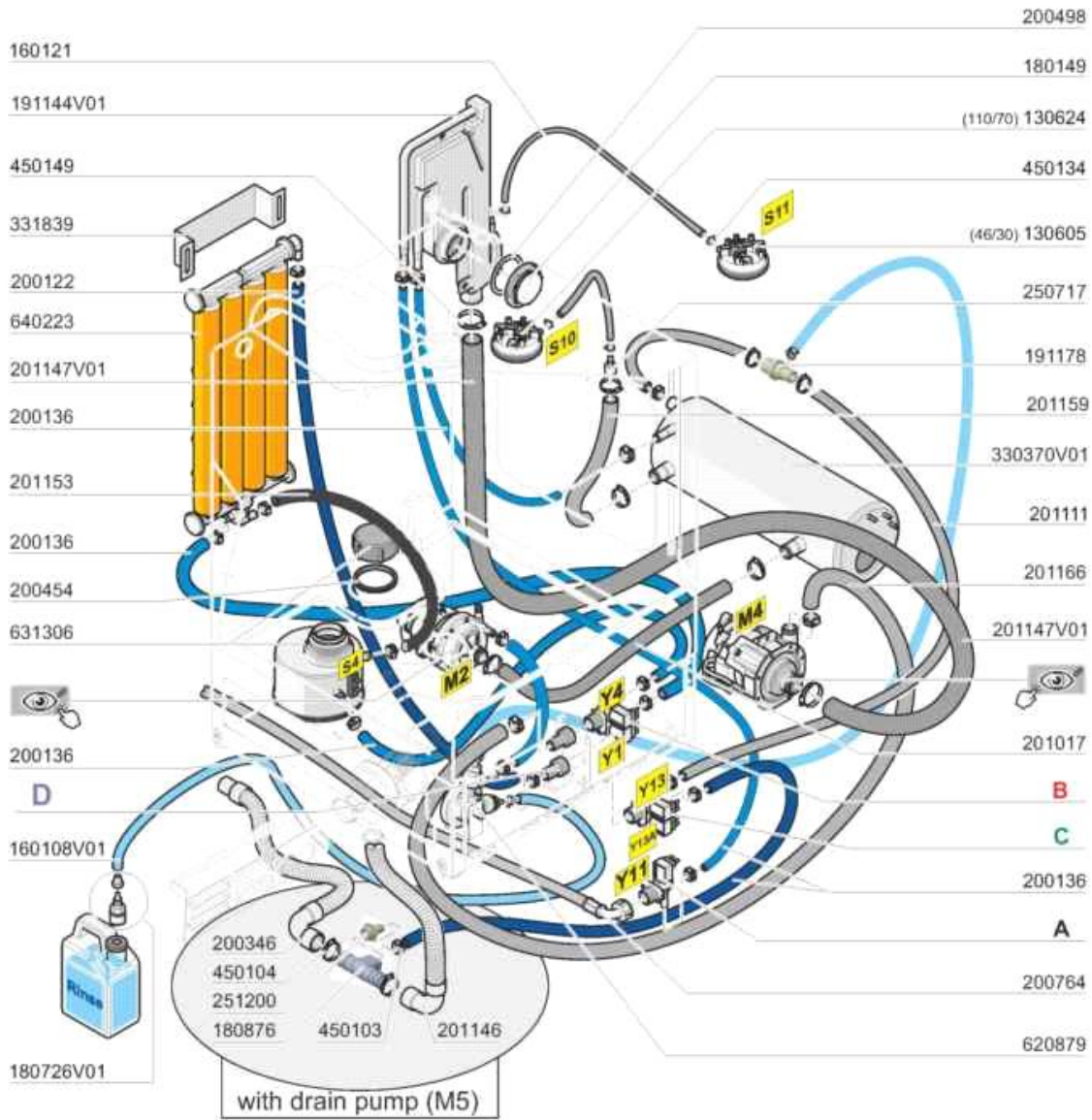
Code	Description	Price (€)
110273	TANK HEATER 2000W.230V	
130629	PRESSURE SWITCH 1L28-12	
160121	HOSE EPDM D. 5 X 9	
160310	INLET HOSE BHC	
160788	PLUG	
160789	NUT	
161316	AIR TRAP	
161317	NUT FOR AIR TRAP	
180145	NUT	
180147	NUT	
180725	OVERFLOW PIPE COVER	
180730	OVERFLOW PIPE	
180731		
180832	FILTER FOR LF TANK	
200612	PUMP INLET HOSE	
200805	OR GASKET 2,62X28,24X33,48	
200842	SEAL RING OR158 PB701 NITRILE	
200869	GASKET	
200870	GASKET 18X10X2	
200944	GASKET	
333006	FILTER	
450105	CLAMP FE ZN. 26-38 H=12,2	
450134	ELASTIC HOSE CLIP D.9,3/8,8	
450232	SPRING OVERFLOW PIPE BHC	
460507	GASKET 55X42X2 NBR	
631207	CAPACITOR 12,5MF. 450V 85C	



03 - 2022 A. B.

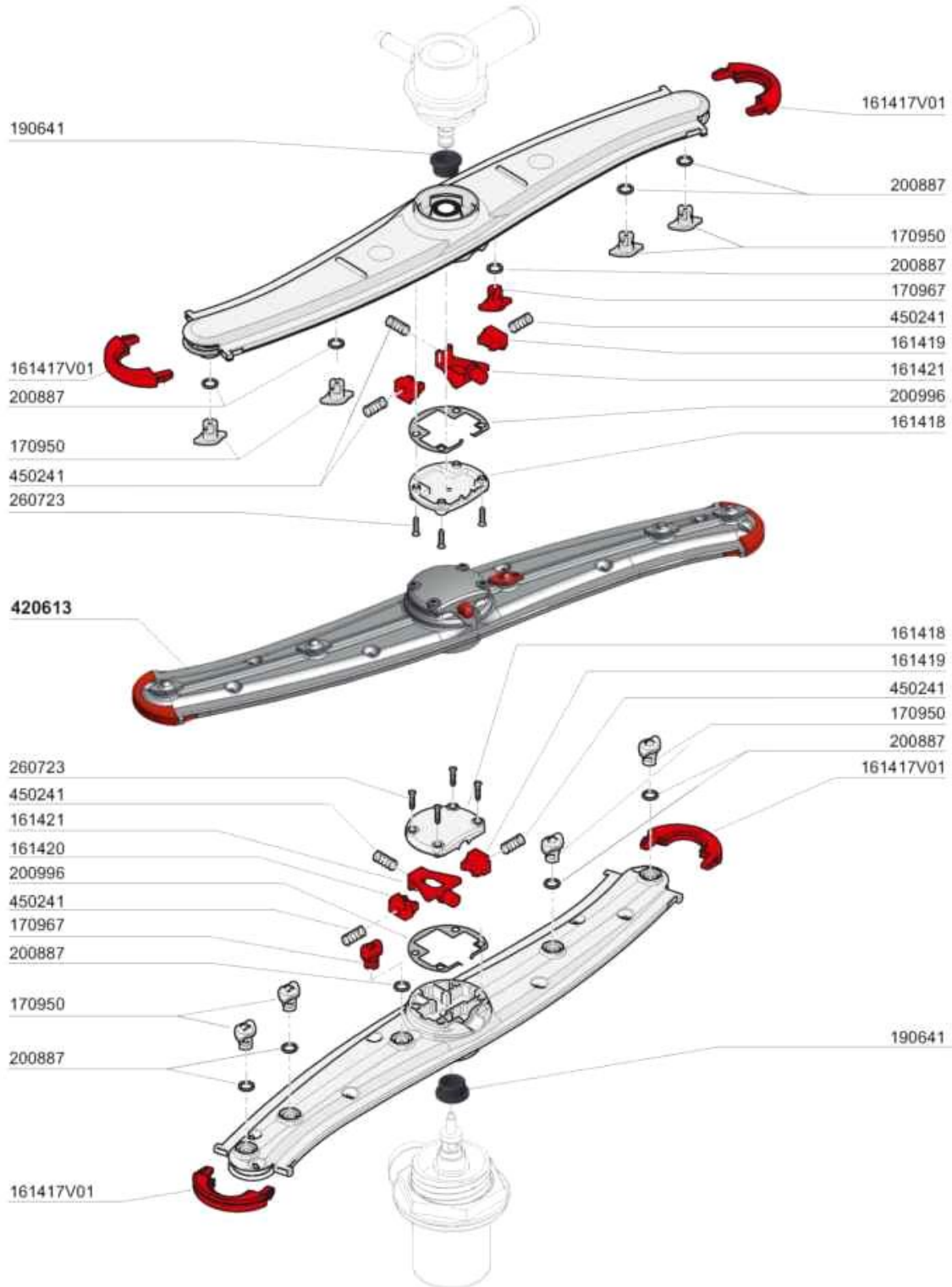
Code	Description	Price (€)
110333	HEATER 7KW 230/400V	
161123	HEAT.ELEMENT COVER H42 SNL	
180403	TEE-NIPPLE F2-F300-B10-11	
190952	LOWER ARM SUPPORT	
190953V01	UPP.WASH ARM SUPPORT CE	
191101	LOWER TEE WASH/RIN ARM	
200122	HOSE 11X19	
200611	OUTLET HOSE	
200815	O-RING F. HEAT. ELEM.	
200820	O-RING151 46,99X5,33X57,6	
201153	RINSE DELIVERY HOSE HB PB	
330370V01		
342958/1	WASH ARM PIN	
342958/2	WASH ARM PIN BUSH	
342958/3	PIN SHAFT WRIS2+	
342958R	COMPLETE WASH ARM PIN	
342975	CENTERER INOX W.ARM CE	
450103	CLAMP FE ZN. 13-20 H=9	
450105	CLAMP FE ZN. 26-38 H=12,2	
450107	CLAMP FE ZN 38-50 H=12,2	







Code	Description	Price (€)
120142	SOLENOID VALVE 90°2WAYS 220V	
120144	SOLENOID VALVE FCA 20 LT TYPE	
121103	SOLENOID VALVE 5,5 LT/M	
130605	PRESSURE SWITCH 50-30 1 LEVEL	
130624	PRESSURE SWITCH 110-70	
160108V01	INJECT.INLET BLUE HOSE D.4X6	
160121	HOSE EPDM D. 5 X 9	
180149	PLASTIC NUT	
180726V01		
180876	TEE NIPPLE	
191144V01		
191178		
200122	HOSE 11X19	
200136	HOSE 10X18	
200346	DRAIN HOSE GLASSWASHER	
200454	GASKET F. SALT CONT.	
200498	GASKET	
200764	GLASSWASHERS WATER INLET HOSE	
201017	RINSE PUMP INLET HOSE LF/FC BT	
201111	HOSE	
201146	DRAIN HOSE	
201147V01		
201153	RINSE DELIVERY HOSE HB PB	
201159		
201166		
250717	REDUCTUION D.18-D.6,5	
251200	S/S NIPPLE 1/2"	
300508	LOCK NUT 3/4"	
301001	NIPPLE FE-ZN 3/4"	
330370V01		
331839	BRACKET FOR WATER SOFTENER	
450103	CLAMP FE ZN. 13-20 H=9	
450104	CLAMP FE ZN H=12,5 15-24	
450105	CLAMP FE ZN. 26-38 H=12,2	
450107	CLAMP FE ZN 38-50 H=12,2	
450109	CLAMP 50-65	
450134	ELASTIC HOSE CLIP D.9,3/8,8	
450149	CLAMP D.34,6 X 36,4	
620879	RINSE AID INJECTOR	
631306	SALT CONTAINER 1KG	
640223	SOFTENER	



03 - 2017 M. S.

Code	Description	Price (€)
161417V01	WASH ARM PLUG WRIS-PP	
161418	WASH ARM COVER	
161419	WASHARM RIGHT CLAMP	
161420	WASHARM LEFT CLAMP	
161421	WASHARM CLAMP RELEASE	
170950	RINSE JET WRIS2+ (70°)	
170967	RED RINSE JET WRIS2+ (120°)	
190641	BUSH FOR C95-155-165 RINSE ARM	
200887	OR GASKET 9,6x2,4 - XP70	
200996	SYLICON JOINT	
260723	SCREW D3,5X16	
420613	WRIS2+ 500mm POLYPROP.WASH ARM	
450241	CLAMP SPRING	

**PUMPS - POMPES - PUMPEN - BOMBAS - POMPE**  
**WASH - LAVAGE - SPÜLUNG - LAVADO - LAVAGGIO**

630207  
 630536  
 631703 50hz (Ø 93)  
 631710 60hz (Ø 80)  
 630431  
 630141  
 631202 (16 µF)

100820	230V/1	50 Hz	0,45 kW
100820/2	230V/1	60 Hz	0,66 kW
100824	230V/1	60 Hz	0,45 Kw
100825	230-400V/3	50 Hz	0,45 kW
100823	440-480V/3	60Hz	0,45 kW

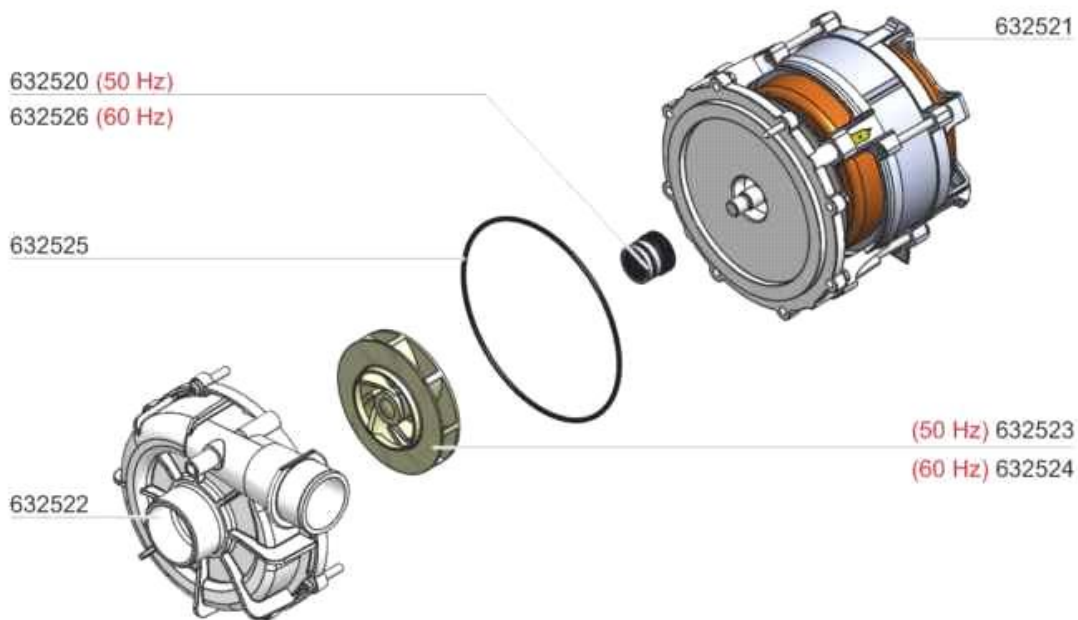
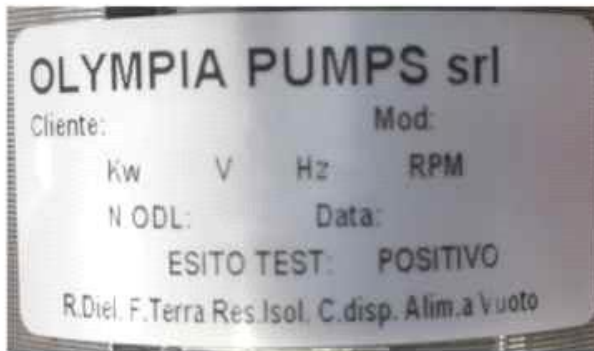
**RINSE - RINÇAGE - NACHSPÜLUNG - ACLARADO - RISCIAQUO**

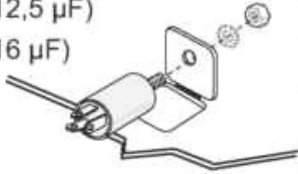
630548  
 632509 (50HZ)  
 630158  
 630439  
 631222 (4 µF)

100933	230V/1	50 Hz	0,18 kW
100933/1	230V/1	60 Hz	0,18 Kw
100933V02	440V/3	60 Hz	0,18 kW
100933V03	400V/3	50 Hz	0,18 kW
100933V04	460V/3	60Hz	0,18 kW

01 - 2023 A. B.

Code	Description	Price (€)
100820	PUMP 0,6HP 220V	
100820/2	PUMP HP.0,6 230/60	
100823	PUMP 0,6HP 440V/3 60HZ	
100824	PUMP 0,6HP 230/1/60	
100825	PUMP 0,6HP 400/3 50HZ	
100933	PUMP RCD 0.18 kW 230V	
100933/1	PUMP CRC-R-DX 230V-60HZ	
100933V02		
100933V03		
100933V04		
630141	PUMP VOLUTE LGB ZF380SX	
630158	PUMP VOLUTE CRC-R-DX (3915R)	
630207	PUMP FLANGE LGB ZF350SX 230V	
630431	PUMP GASKET LGBZF350SX	
630439	PUMP GASKET CRC2-R-DX (2575R)	
630536	SEAL FOR PUMP LGB350SX	
630548	SEAL FOR PUMP CRC-2-DX(1001R)	
631202	CONDENSER 16 MF 450V	
631207	CAPACITOR 12,5MF. 450V 85C	
631222	4 microF 450V CAPACITOR	
631703	PUMP IMPELLER ZF350SX	
631710	IMPELLER 60HZ ZF350SX	
632509	PUMP IMPELLER CRC-R-DX 50hz	

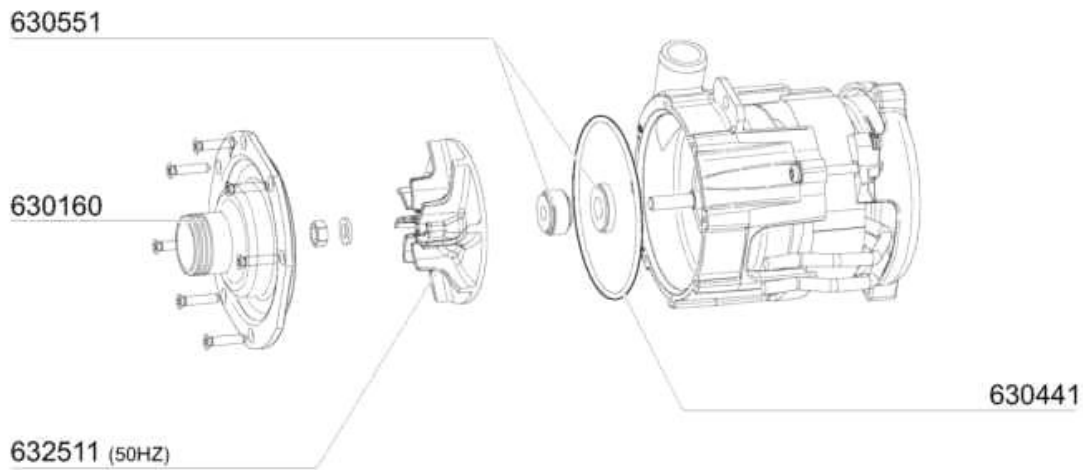


631207 (12,5 µF) 631202 (16 µF)		100820	230V/1	50 Hz	0,45 kW
		100820/2	230V/1	60 Hz	0,66 kW
		100824	230V/1	60 Hz	0,45 Kw
		100825	230-400V/3	50 Hz	0,45 kW
		100823	440-480V/3	60Hz	0,45 kW

01 - 2023 A. B.

Code	Description	Price (€)
100820	PUMP 0,6HP 220V	
100820/2	PUMP HP.0,6 230/60	
100823	PUMP 0,6HP 440V/3 60HZ	
100824	PUMP 0,6HP 230/1/60	
100825	PUMP 0,6HP 400/3 50HZ	
631202	CONDENSER 16 MF 450V	
631207	CAPACITOR 12,5MF. 450V 85C	
632520		
632521		
632522		
632523		
632524		
632525		
632526		



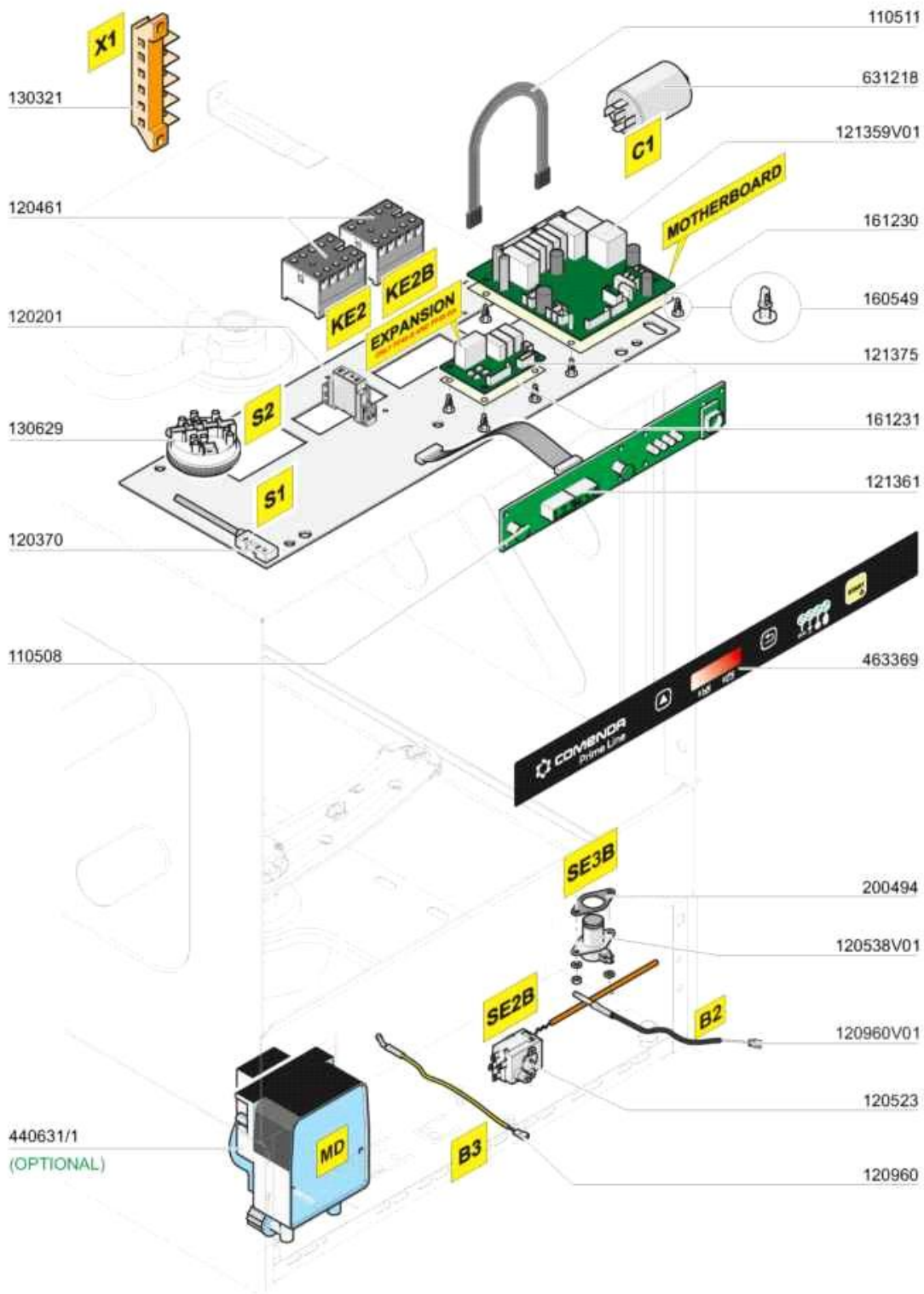
**PUMP - POMPE - PUMPEN - BOMBA - POMPA**
**SOFTENER - ADOUCISSEUR - ENTKALKER - DESCALCIFICADOR - ADDOLCITORE**


**M4**


100937	230V/1	50 Hz	0,15 kW
100937V01	230V/1	60 Hz	0,15 Kw

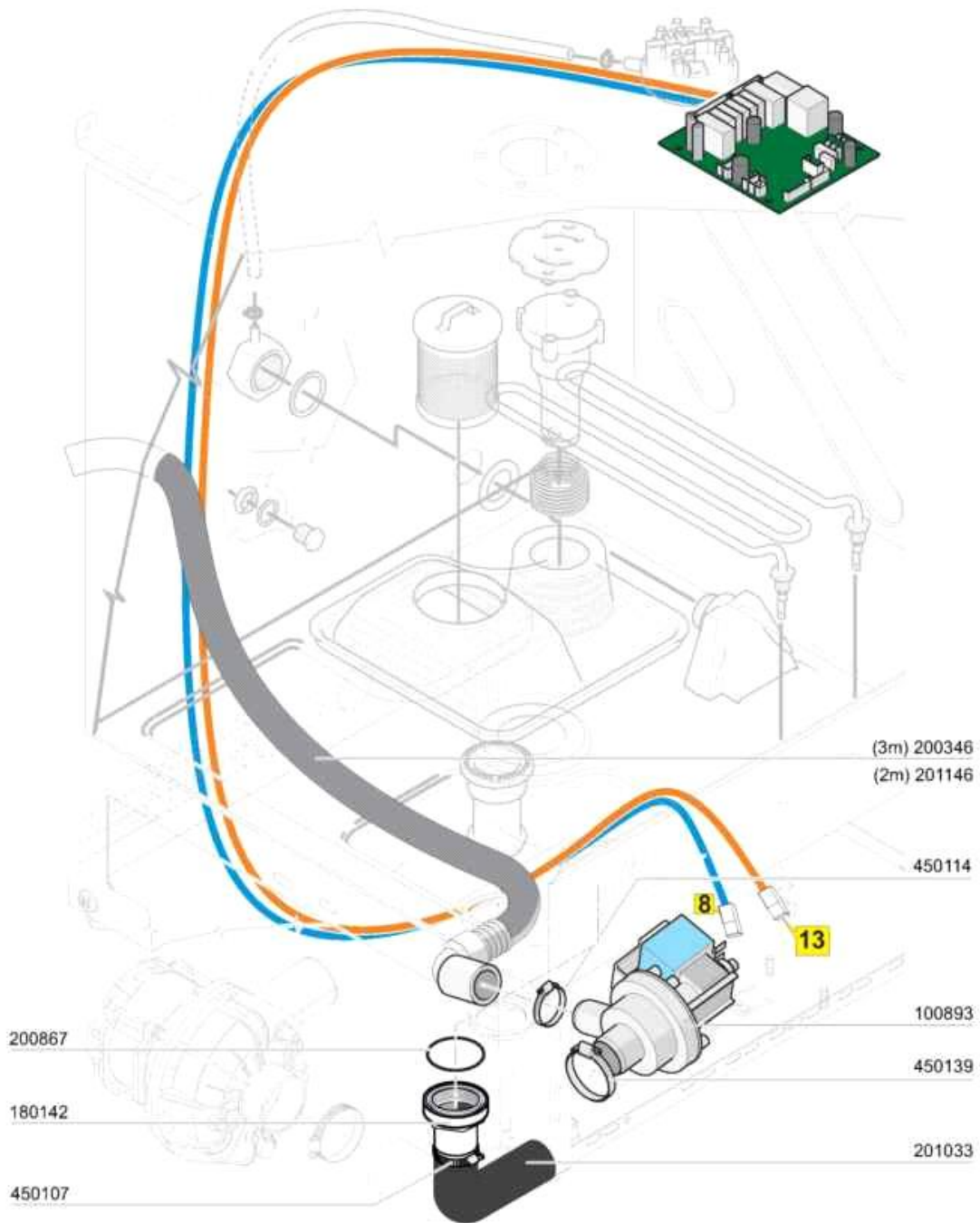
**07 - 2022** **A. B.**

Code	Description	Price (€)
100937	PUMP SEP-RT 230V 50HZ	
100937V01		
630160		
630441		
630551		
631222	4 microF 450V CAPACITOR	
632511		



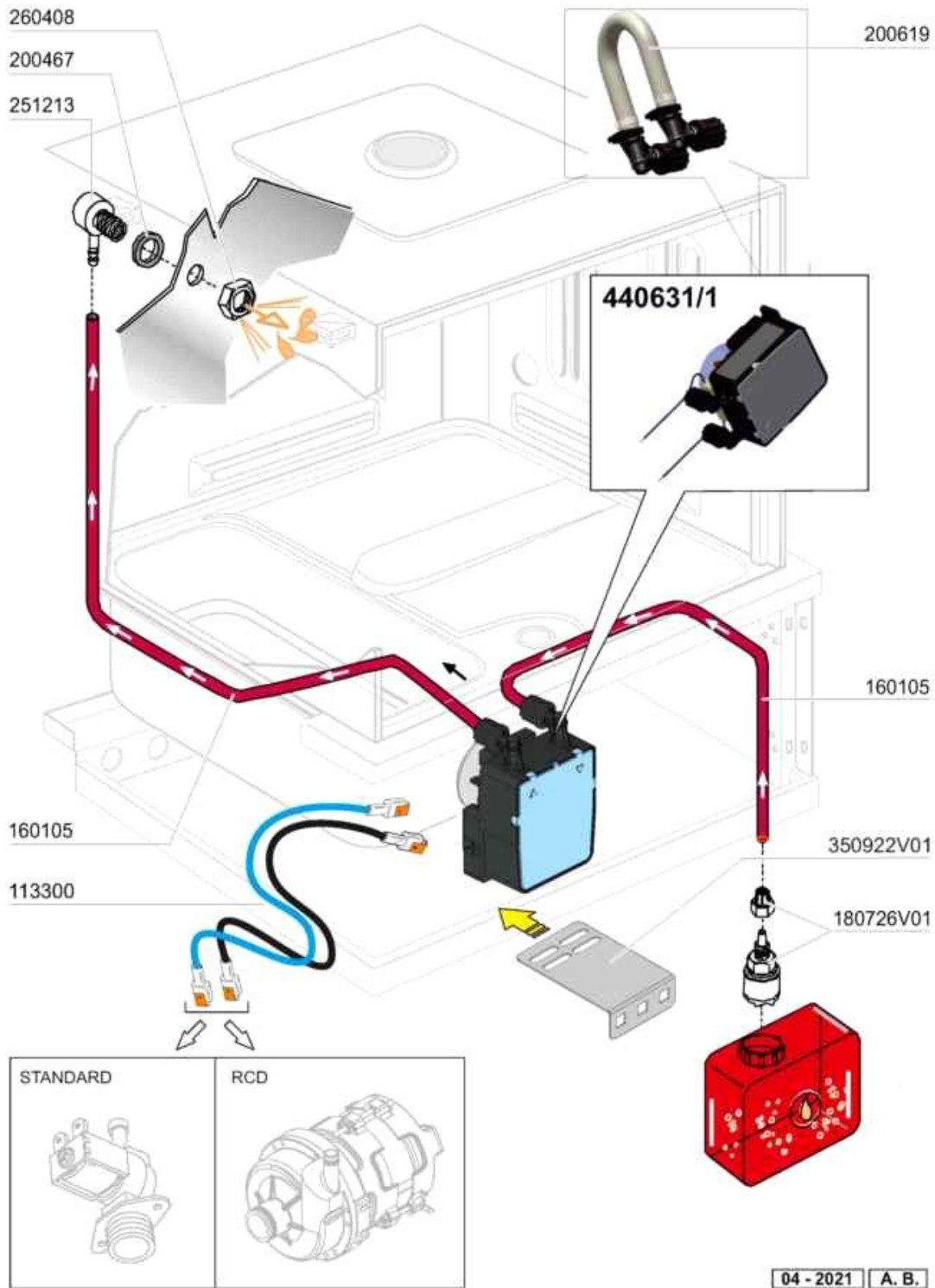
01 - 2023 | A. B.

Code	Description	Price (€)
110508	4 POLES 2m SERIAL CABLE	
110511		
120201	TIMER FC MA	
120370	MAGNETIC SWITCH	
120461	CONTACTOR ABB B6-30-01 220V	
120523	SAFETY THERMOSTAT 110°	
120538V01	85°C TANK SAFETY THERMOST.AUTO	
120960	PROBE C-G	
120960V01	PROBE FOR BOILER	
121359V01	ELECTRONIC BOARD HAC PLUS (P7)	
121361	DISPLAY PCB 7S 2x3 RED	
121375	EXPANSION CARD UC14	
130321	JUNCTION BOX 6 CONNECTORS	
130629	PRESSURE SWITCH 1L28-12	
160549	SUPPORT	
161230	PCB COVER	
161231		
200494	GASKET FOR TANKTHERMOSTAT BT	
440631/1	DETERGENT PUMP NBR-3	
463369	PRIME LABEL	
631218	ANTI-NOISE FILTER 16A L-C	



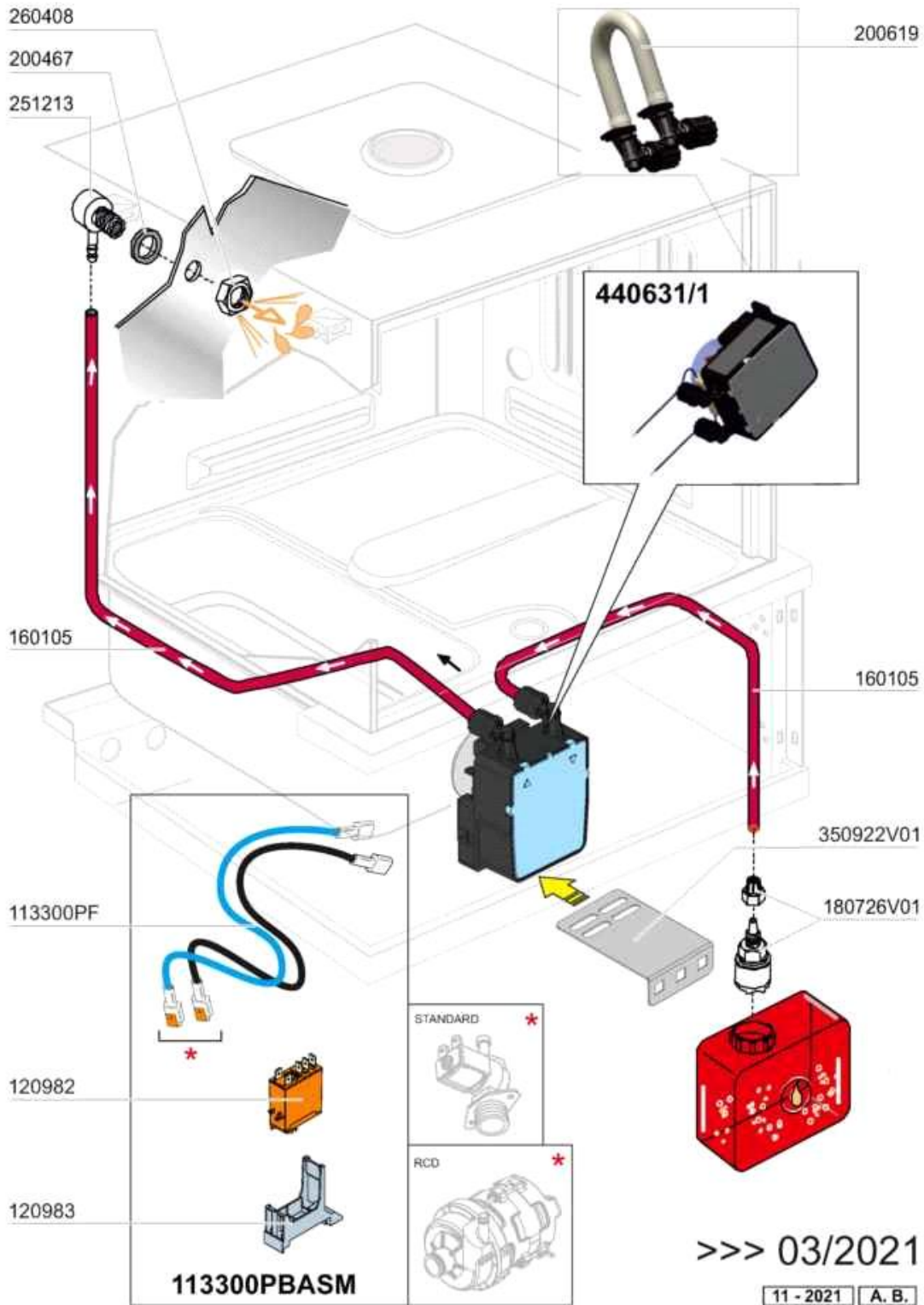
06 - 2022 A. B.

Code	Description	Price (€)
100893	DRAIN PUMP 34W 230/50	
180142	CONNECTOR FOR DRAIN PUMP	
200346	DRAIN HOSE GLASSWASHER	
200867	GASKET	
201033	DRAIN PUMP INLET HOSE 90°	
201146	DRAIN HOSE	
450107	CLAMP FE ZN 38-50 H=12,2	
450114	CLAMP FE ZN.22-32 H=12,2	
450139	CLAMP 26-38 H=9	

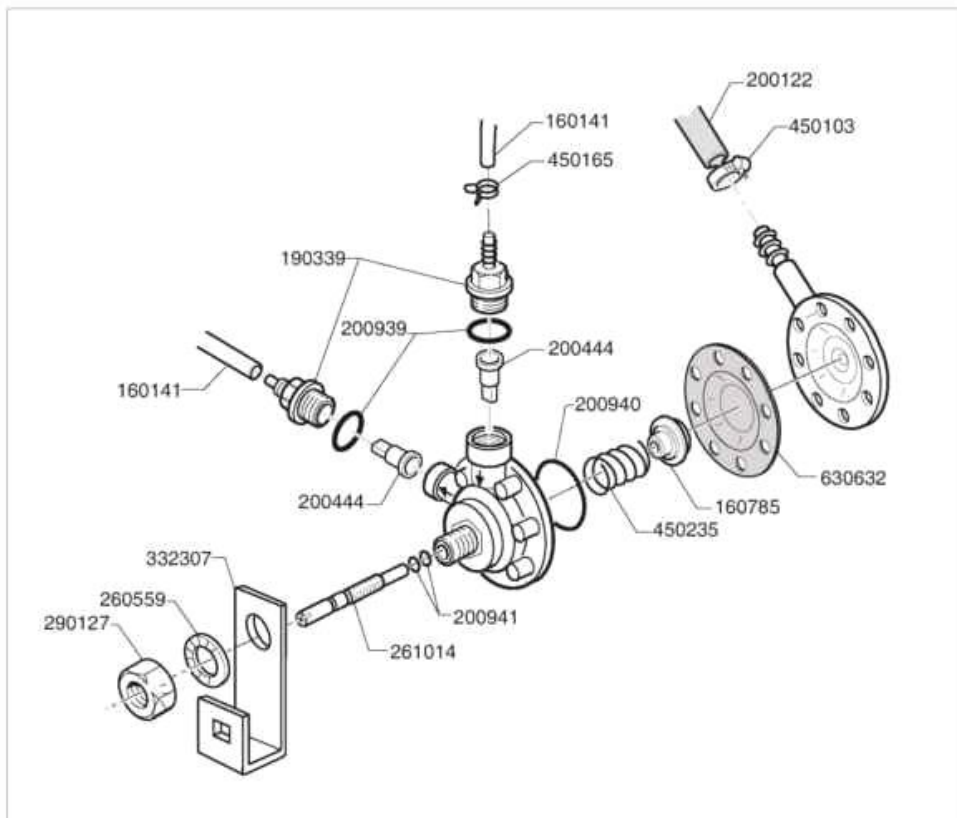




Code	Description	Price (€)
113300	CABLE FOR DETERGENT INJECTOR	
160105	INJECT. INLET RED HOSE D.6X4	
180726V01		
200467	DUTRAL GASKET F. AIR TRAP	
200619	INTERNAL HOSE FOR 440631/1	
251213	INJECTOR S/S FOR DETERGENT IN	
260408	S/S NUTS D.12	
350922V01	DETERGENT PUMP BRACKET	
440631/1	DETERGENT PUMP NBR-3	



Code	Description	Price (€)
113300PBASM		
113300PF		
120982		
120983		
160105	INJECT. INLET RED HOSE D.6X4	
180726V01		
200467	DUTRAL GASKET F. AIR TRAP	
200619	INTERNAL HOSE FOR 440631/1	
251213	INJECTOR S/S FOR DETERGENT IN	
260408	S/S NUTS D.12	
350922V01	DETERGENT PUMP BRACKET	
440631/1	DETERGENT PUMP NBR-3	



Code	Description	Price ()
160141	HOSE 4X7	
160785	GUIDE FOR SPRING RINSE AID INJ	
190339	RINSE AID INJECTOR CONNECTION	
200122	HOSE 11X19	
200444	SUCTION VALVE RINSE INJECTOR	
200939	OR GASKET	
200940	GASKET	
200941	OR GASKET	
260559	FLAT WASH A2D.12 DIN6798	
261014	SCREW	
290127	DISPENSER FIXING NUT	
332307	BRACKET	
450103	CLAMP FE ZN. 13-20 H=9	
450165	ELASTIC HOSE CLIP 7,3-7,8	
450235	SPRING RINSE AID INJECTOR	
620879	RINSE AID INJECTOR	
630632	DIAPHRAGM RINSE INJECTOR HVD	