



T&S BRASS AND BRONZE WORKS, INC.

2 Saddleback Cove / P.O. Box 1088
Travelers Rest, SC 29690

Model No.

UK-1DP00

Item No.

Travelers Rest, SC: 800-476-4103 • Simi Valley, CA: 800-423-0150 • Fax: 864-834-3518 • www.tsbrass.com



This Space for Architect/Engineer Approval

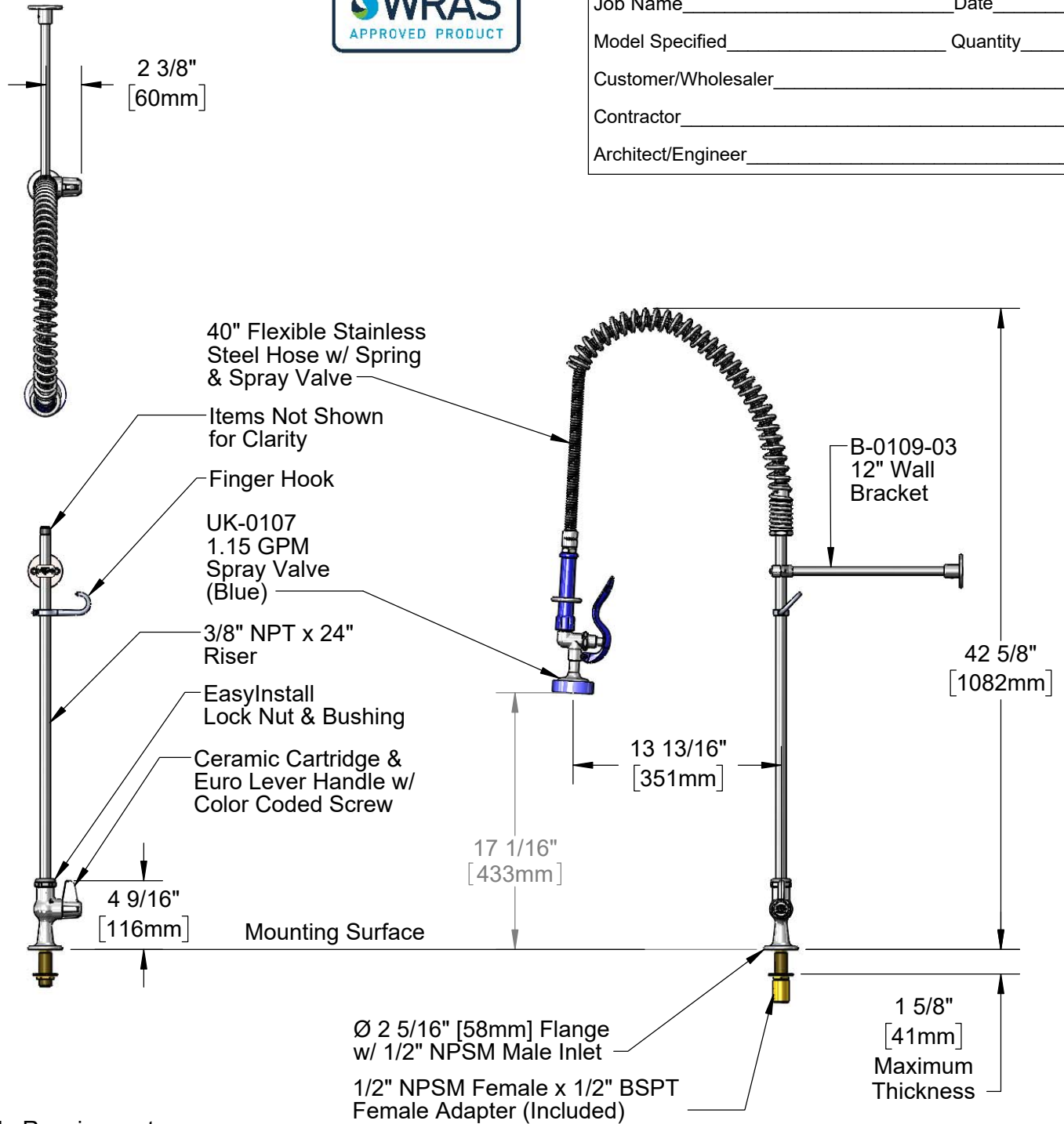
Job Name _____ Date _____

Model Specified _____ Quantity _____

Customer/Wholesaler _____

Contractor _____

Architect/Engineer _____



Rough-In Requirement:
Ø 1" [25mm] Mounting Hole

Product Specifications:

Pre-Rinse Unit: EasyInstall Single Hole Single Temperature Deck Mount Faucet, Ceramic Cartridge, Euro Lever Handle, 40" Flexible Stainless Steel Hose, 1.15 GPM Spray Valve (Blue), 12" Wall Bracket & 1/2" NPSM Male Inlet w/ 1/2" BSPT Female Adapter

Product Compliance:

WRAS Approved Product (UK)

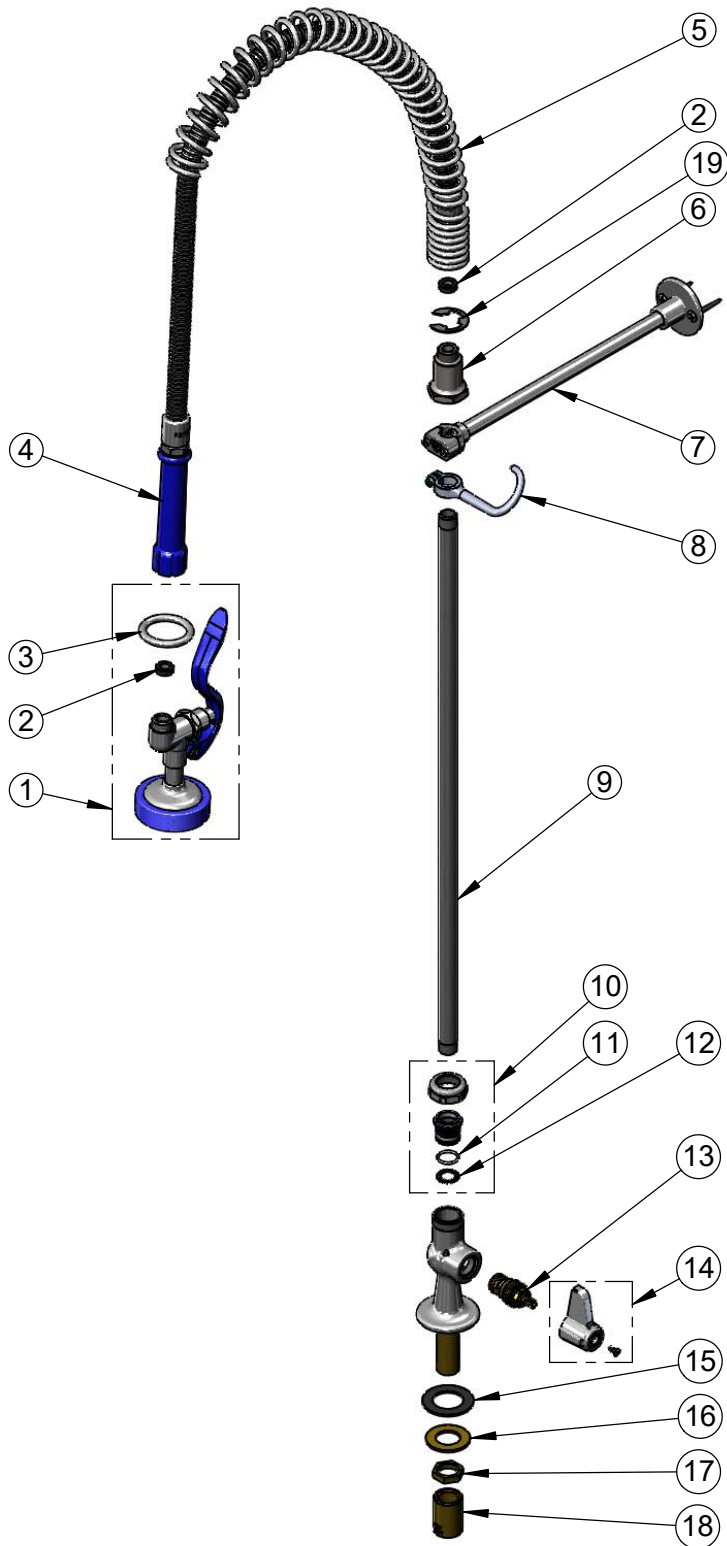


T&S BRASS AND BRONZE WORKS, INC.
 2 Saddleback Cove / P.O. Box 1088
 Travelers Rest, SC 29690

Model No.
UK-1DP00

Item No.

Travelers Rest, SC: 800-476-4103 • Simi Valley, CA: 800-423-0150 • Fax: 864-834-3518 • www.tsbrass.com



ITEM NO.	SALES NO.	DESCRIPTION
1	UK-0107	1.15 GPM Spray Valve (Blue)
2	010476-45	#27 Washer
3	000907-45	Spray Valve Hold Down Ring
4	UK-0040-H	40" Flexible Stainless Steel Hose w/ Blue Handle
5	000888-45	EasyInstall Overhead Spring
6	000821-40	Spring Body
7	B-0109-03	12" Wall Bracket
8	004R	Finger Hook
9	000372-40	3/8" NPT x 24" Riser
10	EU-EZ-K	Euro EasyInstall Kit: Nut, Bushing, O-Ring & Lock Washer
11	001062-45	O-Ring
12	014200-45	Star Washer, Anti-Rotation
13	013787-45	equip Ceramic Cartridge, RTC
14	E-HDL-L	Euro Lever Handle w/ Color Coded Screws
15	014612-45	Deck Seal
16	000999-45	Brass Lock Washer
17	002954-45	Shank Lock Nut
18	003746-20	Adapter, 1/2" NPSM Female x 1/2" BSPT Female
19	019389-45	E-Style Retaining Ring

Product Specifications:

Pre-Rinse Unit: EasyInstall Single Hole Single Temperature Deck Mount Faucet, Ceramic Cartridge, Euro Lever Handle, 40" Flexible Stainless Steel Hose, 1.15 GPM Spray Valve (Blue), 12" Wall Bracket & 1/2" NPSM Male Inlet w/ 1/2" BSPT Female Adapter

Product Compliance:

WRAS Approved Product (UK)